



US00D624472S

(12) **United States Design Patent**  
**Schmitz et al.**

(10) **Patent No.:** **US D624,472 S**

(45) **Date of Patent:** **\*\* Sep. 28, 2010**

(54) **INNER SIDE PORTION OF A BRAKE ROTOR**

(75) Inventors: **Johann Schmitz**, Wurlmilingen (DE);  
**Ingo Hoffmann**, Tuttlingen (DE);  
**Manfred Pallentien**, Engen (DE)

(73) Assignee: **Schwäbische Hüttenwerke Automotive GmbH & Co. KG** (DE)

(\*\*) Term: **14 Years**

(21) Appl. No.: **29/306,267**

(22) Filed: **Apr. 4, 2008**

(30) **Foreign Application Priority Data**

Oct. 4, 2007 (DE) ..... 407 04 958

(51) **LOC (9) Cl.** ..... **12-16**

(52) **U.S. Cl.** ..... **D12/180**

(58) **Field of Classification Search** ..... D12/174,  
D12/400, 180; 188/73.3, 71.1, 73.31-73.39,  
188/72.4, 72.2, 73.41, 73.42-73.46, 370,  
188/218 XL, 1.11 W, 24.11-24.22, 250 B,  
188/73.1, 250 R; D8/333, 334  
See application file for complete search history.

(56) **References Cited**

**U.S. PATENT DOCUMENTS**

- 4,186,826 A \* 2/1980 MacKendrick et al. .... 192/13 R
- 4,194,597 A \* 3/1980 Evans et al. .... 188/73.38
- 5,181,588 A \* 1/1993 Emmons ..... 188/73.31
- 5,249,649 A \* 10/1993 Emmons ..... 188/73.47
- D355,253 S \* 2/1995 Jansen et al. .... D23/411
- 5,407,035 A \* 4/1995 Cole et al. .... 188/218 XL
- 5,417,313 A \* 5/1995 Matsuzaki et al. .... 188/218 XL
- 5,439,081 A \* 8/1995 Glass ..... 188/264 CC
- D376,783 S \* 12/1996 Magalhaes ..... D12/180
- 6,053,290 A \* 4/2000 Goddard ..... 73/861.73
- 6,136,374 A \* 10/2000 Reuscher ..... 427/233
- D446,756 S \* 8/2001 York ..... D12/180
- D456,326 S \* 4/2002 York ..... D12/180
- 6,371,250 B1 \* 4/2002 Bunker ..... 188/18 A
- D458,882 S \* 6/2002 Oberti ..... D12/180

- D465,179 S \* 11/2002 Ballinger ..... D12/180
- 6,523,651 B2 \* 2/2003 Schaus et al. .... 188/218 XL
- 6,564,913 B2 \* 5/2003 Baumgartner et al. . 188/218 XL
- D476,932 S \* 7/2003 Fishburn et al. .... D12/180
- 6,626,273 B1 \* 9/2003 Baumgartner et al. ... 188/264 A
- D482,643 S \* 11/2003 Gavin ..... D12/180
- D484,836 S \* 1/2004 Gavin ..... D12/180
- 6,986,410 B2 \* 1/2006 Simmons et al. .... 188/72.4
- 7,028,816 B2 \* 4/2006 Baumgartner et al. . 188/218 XL
- 7,097,006 B2 \* 8/2006 Veneziano et al. .... 188/218 XL
- 7,097,007 B2 \* 8/2006 Lin ..... 188/218 XL
- 7,159,698 B2 \* 1/2007 Banks et al. .... 188/218 XL
- 7,219,778 B2 \* 5/2007 Pete et al. .... 188/218 XL
- 7,228,947 B2 \* 6/2007 Meroni et al. .... 188/264 AA
- D565,487 S \* 4/2008 Zhang ..... D12/180
- D565,617 S \* 4/2008 Chang et al. .... D12/148
- 7,487,862 B2 \* 2/2009 Carlson et al. .... 188/218 XL
- D591,092 S \* 4/2009 Lenterman ..... D6/495
- 7,543,691 B2 \* 6/2009 Hopkins et al. .... 188/218 XL

(Continued)

*Primary Examiner*—Robert M Spear  
*Assistant Examiner*—Cynthia Underwood  
(74) *Attorney, Agent, or Firm*—GrayRobinson, P.A.

(57) **CLAIM**

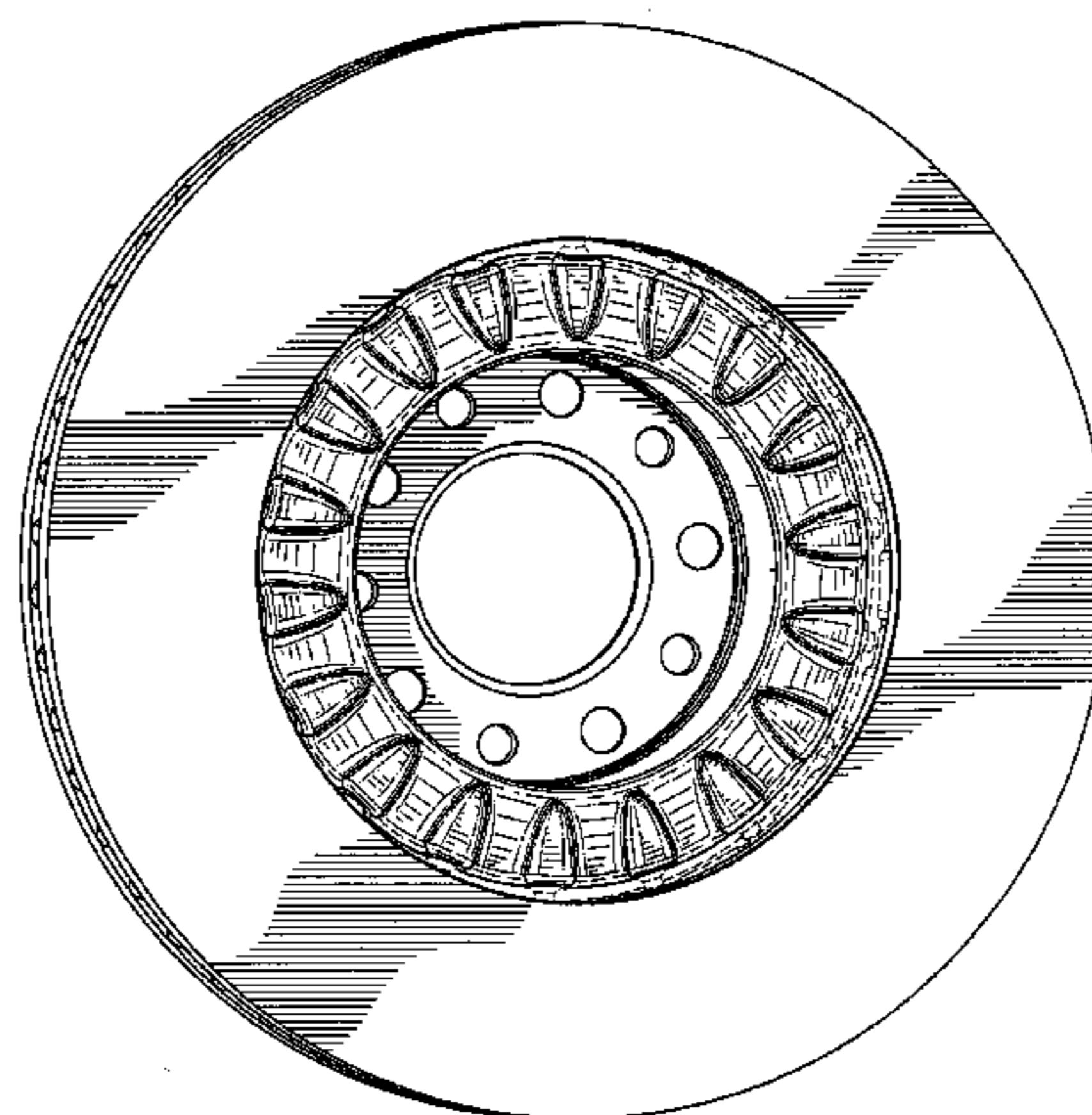
The ornamental design of an inner side portion of a brake rotor, as shown and described.

**DESCRIPTION**

FIG. 1 is a first perspective view of an embodiment thereof as viewed from a generally front-elevational perspective, and, FIG. 2 is a second perspective view thereof.

In the drawings, the broken lines represent environmental portions of the structure and form no part of the claim.

**1 Claim, 1 Drawing Sheet**



# US D624,472 S

Page 2

---

## U.S. PATENT DOCUMENTS

D595,738 S *	7/2009	Shimokawa .....	D15/5	2006/0086579 A1*	4/2006	Gerber .....	188/218 XL
7,568,560 B2*	8/2009	Lin .....	188/218 XL	2006/0124410 A1*	6/2006	Drage .....	188/218 XL
D605,099 S *	12/2009	Schmitz et al. ....	D12/180	2007/0199778 A1*	8/2007	Lee .....	188/218 XL
D605,570 S *	12/2009	Schmitz et al. ....	D12/180	2008/0135359 A1*	6/2008	Basirico et al. ....	188/218 XL
D607,795 S *	1/2010	Schmitz et al. ....	D12/180	2009/0000884 A1*	1/2009	Layton et al. ....	188/218 XL
D607,796 S *	1/2010	Schmitz et al. ....	D12/180	2009/0020379 A1*	1/2009	Hanna et al. ....	188/218 XL
D608,706 S *	1/2010	Schmitz et al. ....	D12/180	2009/0078515 A1*	3/2009	Xia .....	188/218 XL
2004/0188196 A1*	9/2004	Gavin .....	188/218 XL	2009/0218183 A1*	9/2009	Burgoon et al. ....	188/218 XL

\* cited by examiner

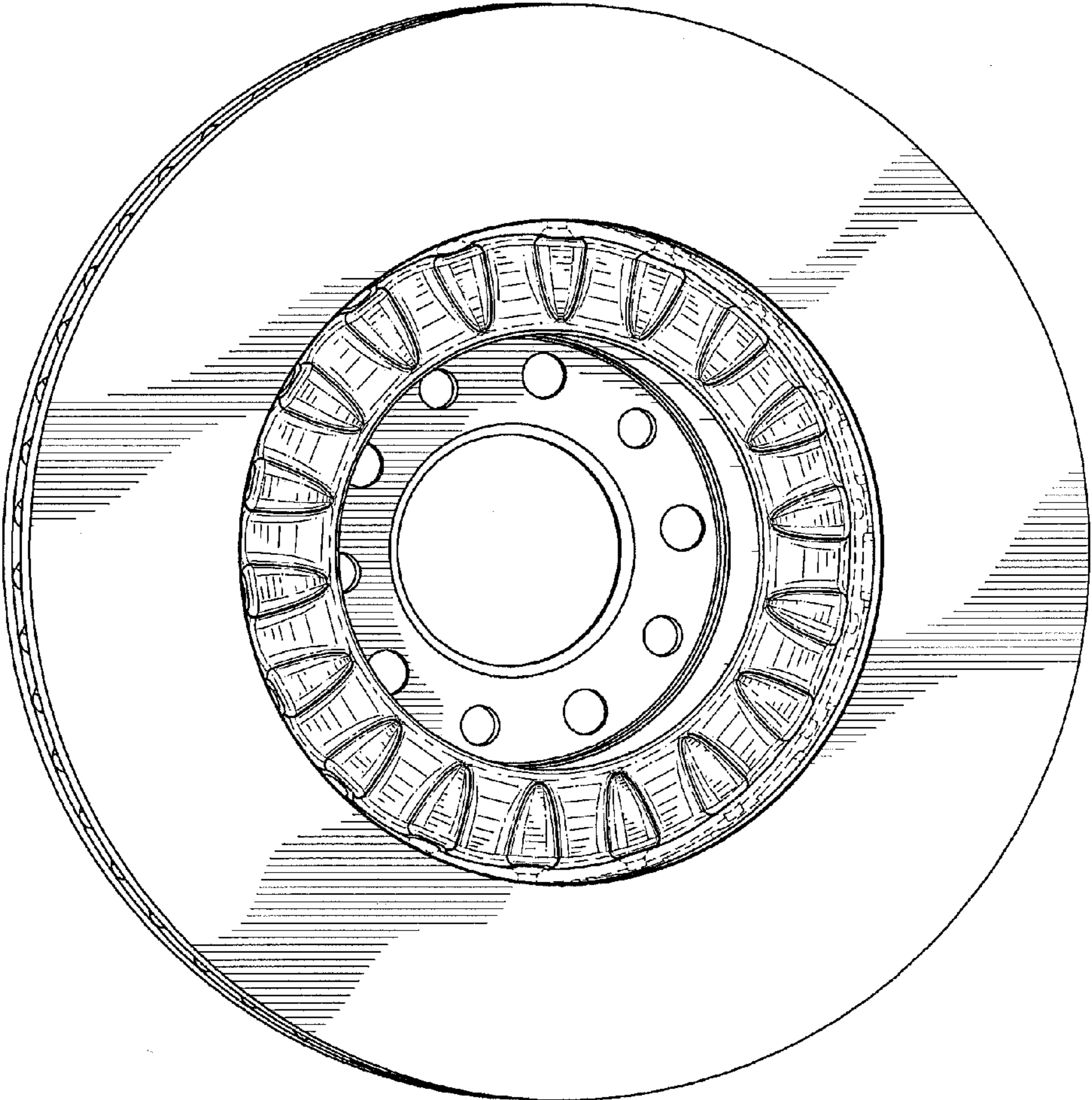


FIG. 1

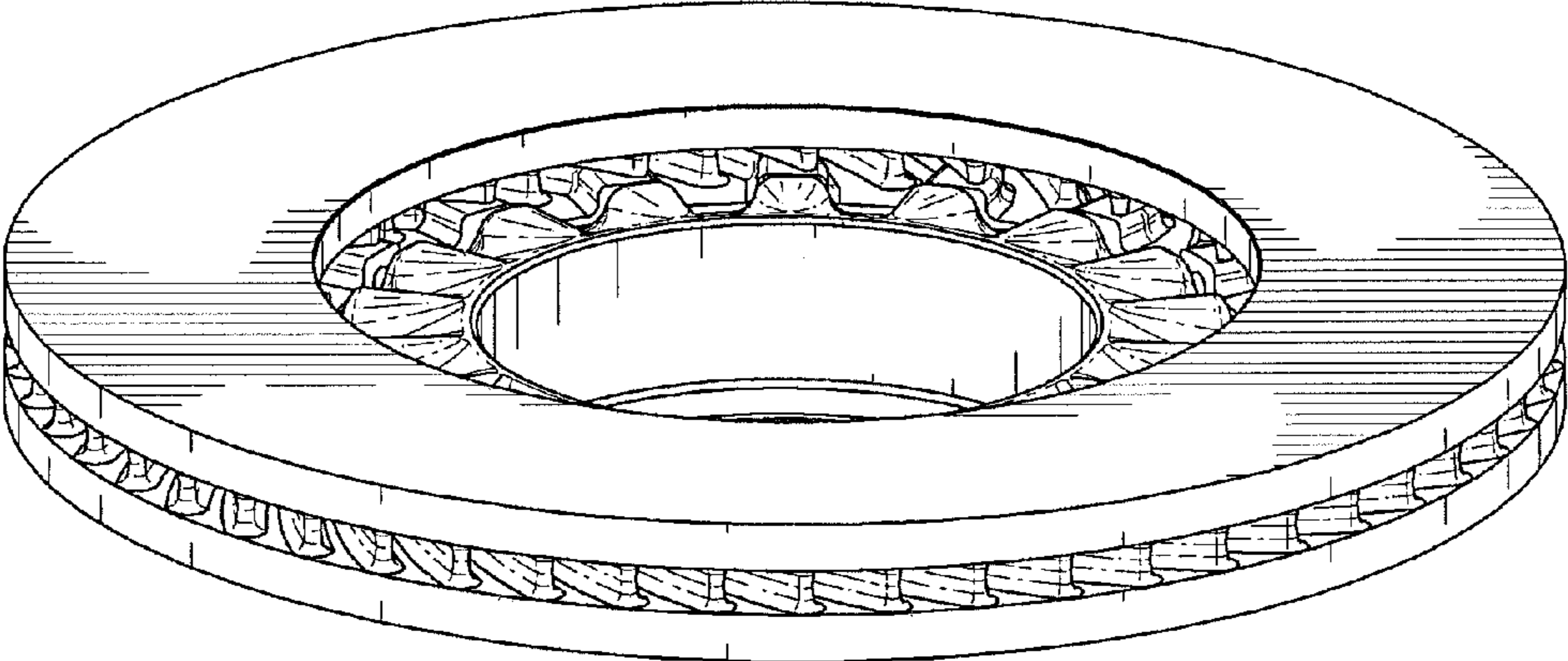


FIG. 2