



US00D624468S

(12) **United States Design Patent**
Wong

(10) **Patent No.:** **US D624,468 S**

(45) **Date of Patent:** **** *Sep. 28, 2010**

(54) **AUTOMOTIVE FRONT GRILL**

D578,443 S * 10/2008 Schiavone et al. D12/163
D586,267 S * 2/2009 Ebel et al. D12/163

(76) Inventor: **Tak Chi Wong**, 207 S. 6th Ave., La Puente, CA (US) 91746

* cited by examiner

Primary Examiner—Melody N Brown

(*) Notice: This patent is subject to a terminal disclaimer.

(**) Term: **14 Years**

(57) **CLAIM**

The ornamental design for an automotive front grill, as shown and described.

(21) Appl. No.: **29/324,685**

DESCRIPTION

(22) Filed: **Sep. 17, 2008**

FIG. 1 is a perspective view of a automotive front grill with headlights attached;

(51) **LOC (9) Cl.** **12-16**

(52) **U.S. Cl.** **D12/163**

(58) **Field of Classification Search** D12/163,
D12/171, 196, 216, 90-92, 86; 180/68.1,
180/68.6; 296/193.11; D26/28-36; 362/459-468,
362/475-478, 485-487

FIG. 2 is a top view thereof;

FIG. 3 is a side view thereof;

FIG. 4 is a front view thereof;

FIG. 5 is a bottom view thereof;

FIG. 6 is a perspective view showing second embodiment of a automotive front grill without headlights attached;

FIG. 7 is a top view thereof;

FIG. 8 is a side view thereof;

FIG. 9 is a front view thereof; and,

FIG. 10 is a bottom view thereof.

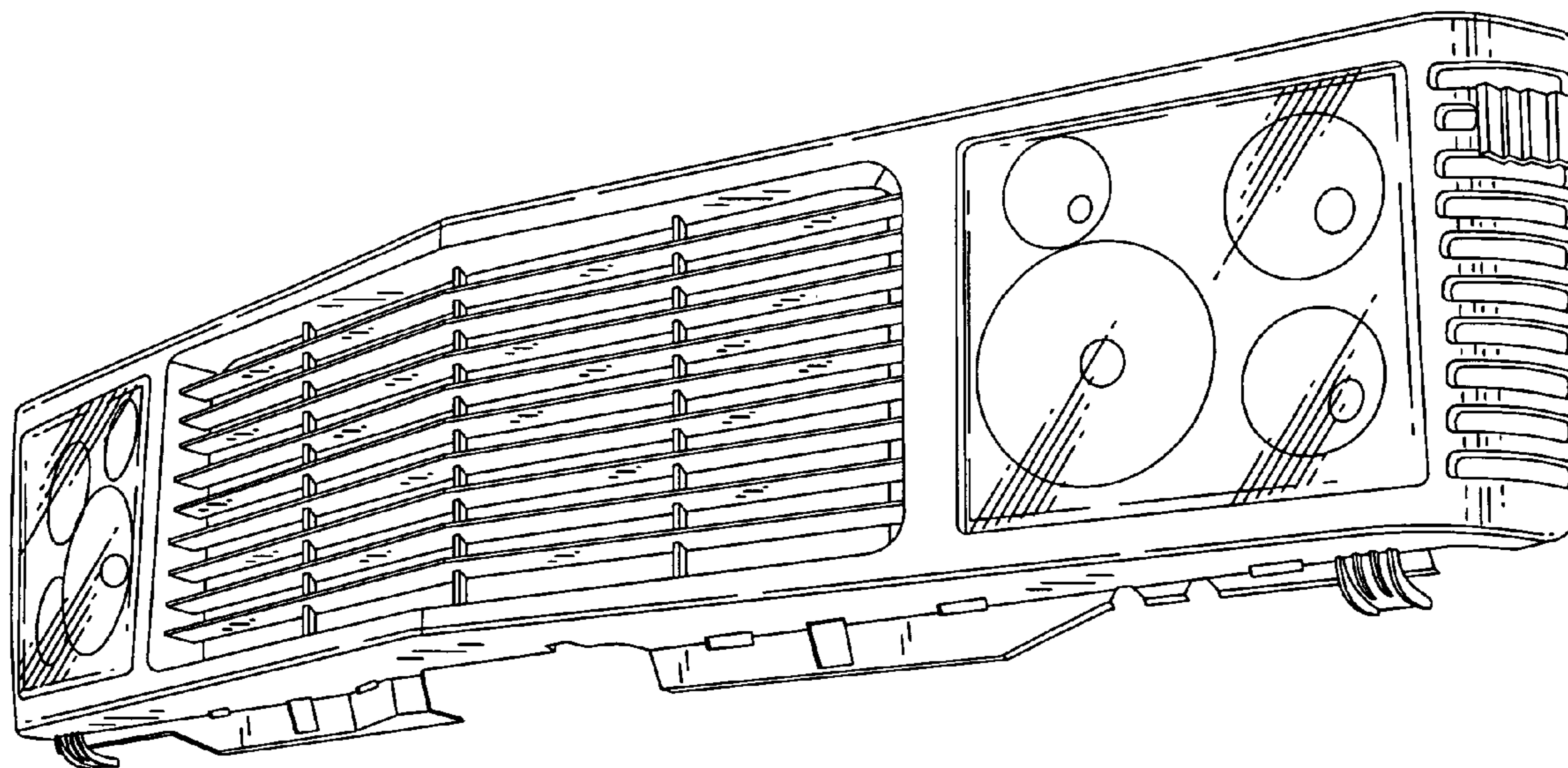
See application file for complete search history.

(56) **References Cited**

U.S. PATENT DOCUMENTS

D573,067 S * 7/2008 Ho D12/163
D577,636 S * 9/2008 Saridakis et al. D12/163

1 Claim, 4 Drawing Sheets



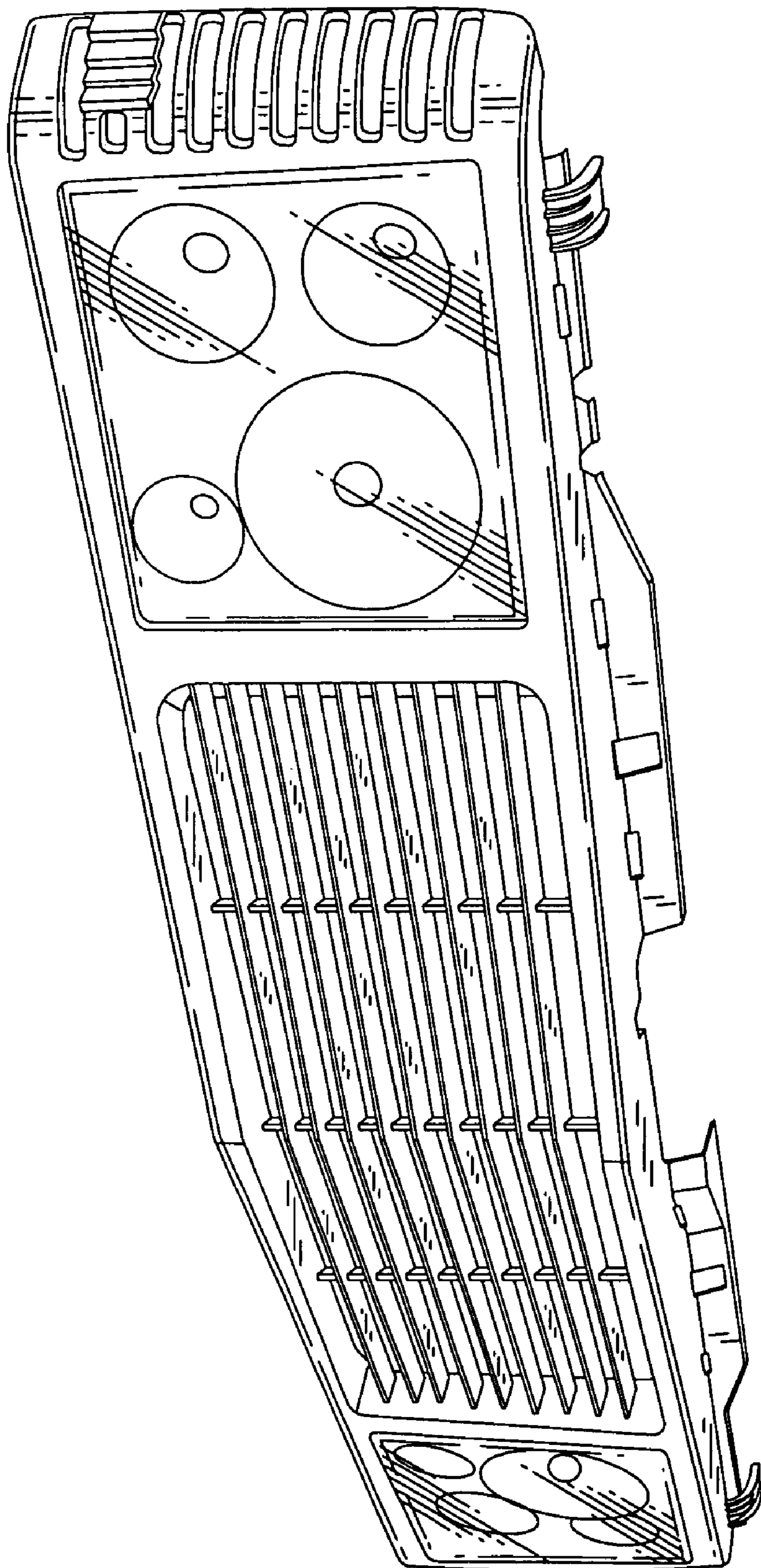


Fig. 1

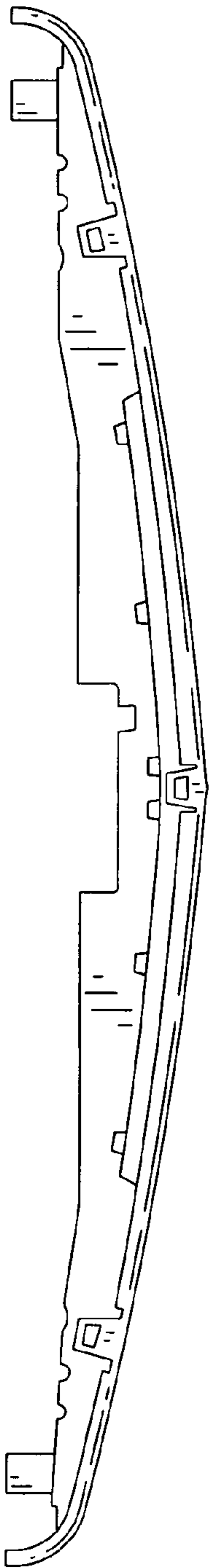


Fig. 2

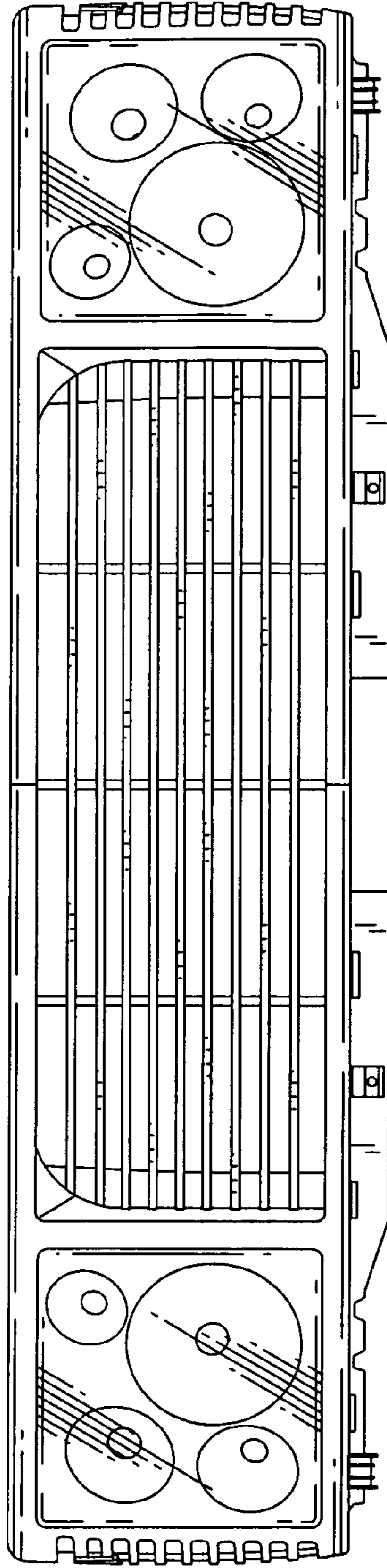


Fig. 4

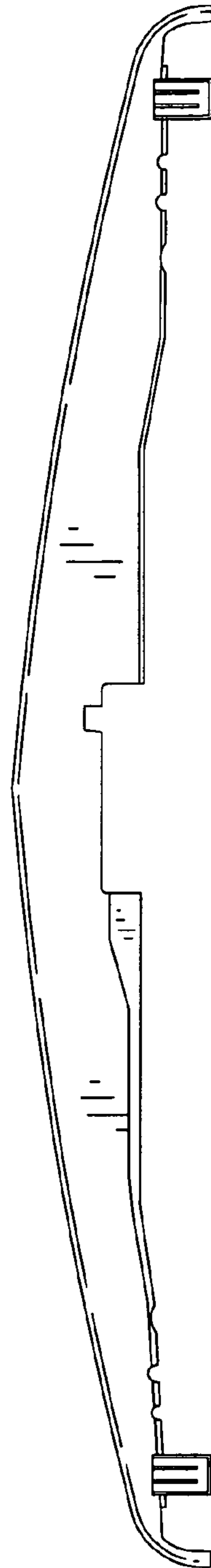


Fig. 5

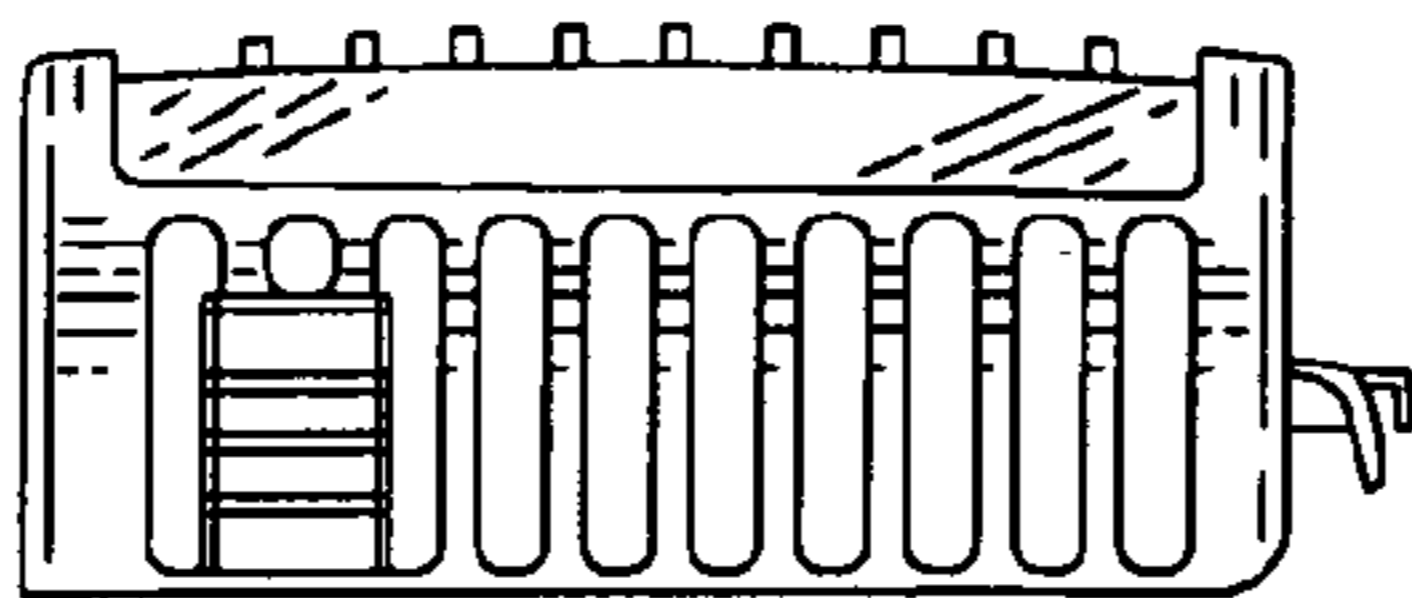


Fig. 3

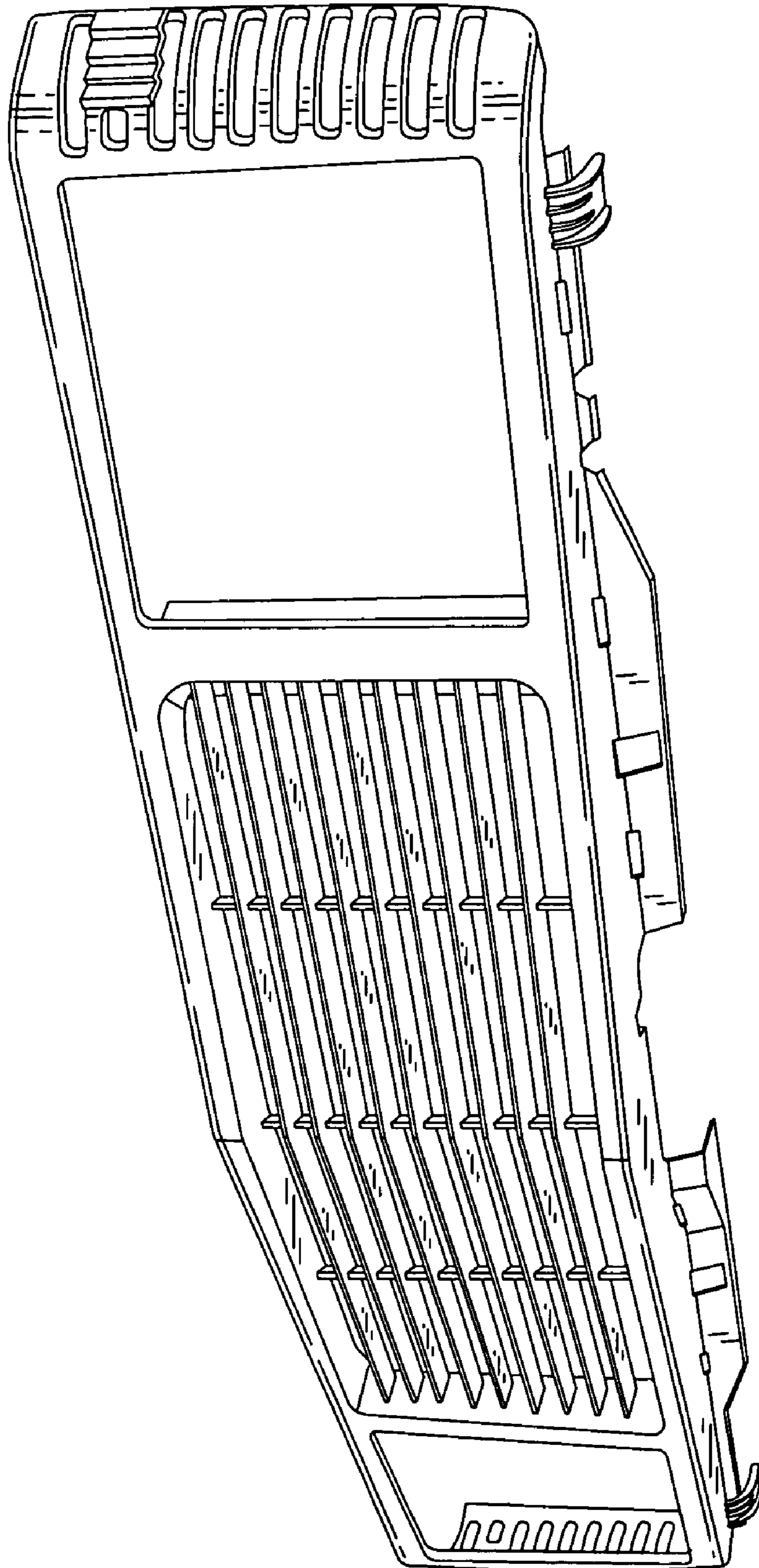


Fig. 6

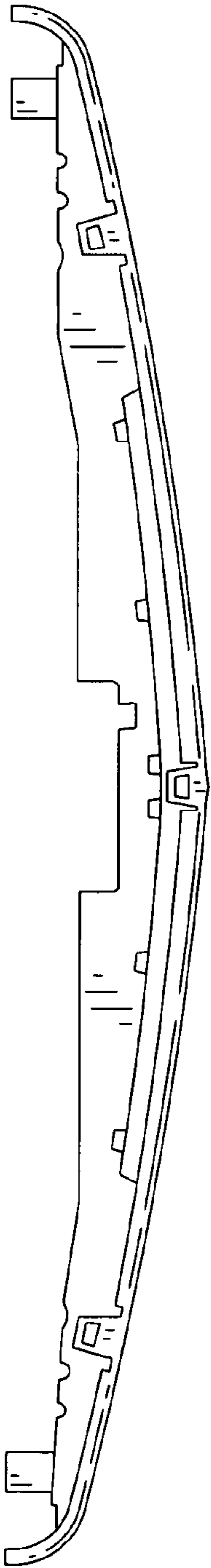


Fig. 7

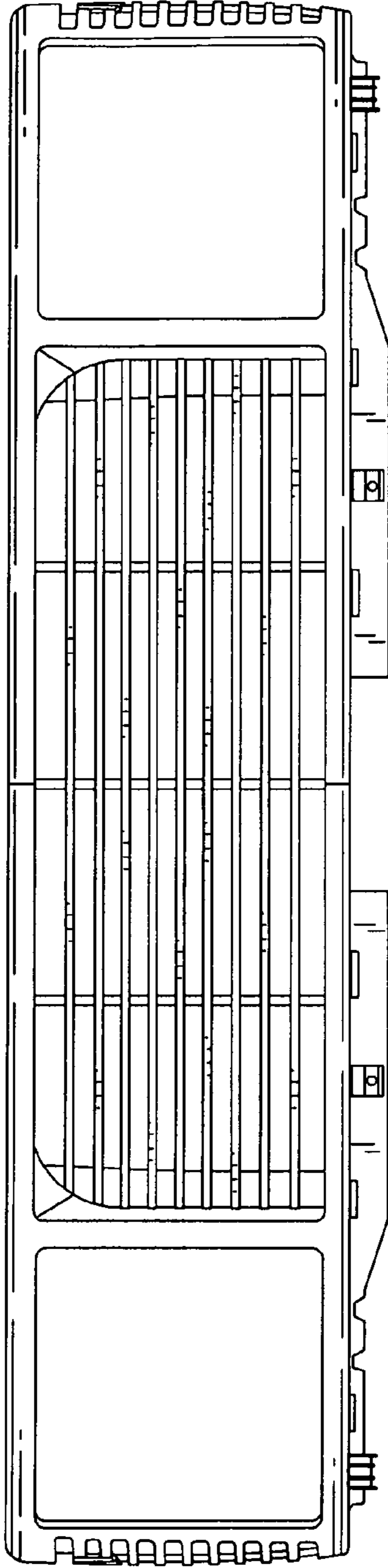


Fig. 9

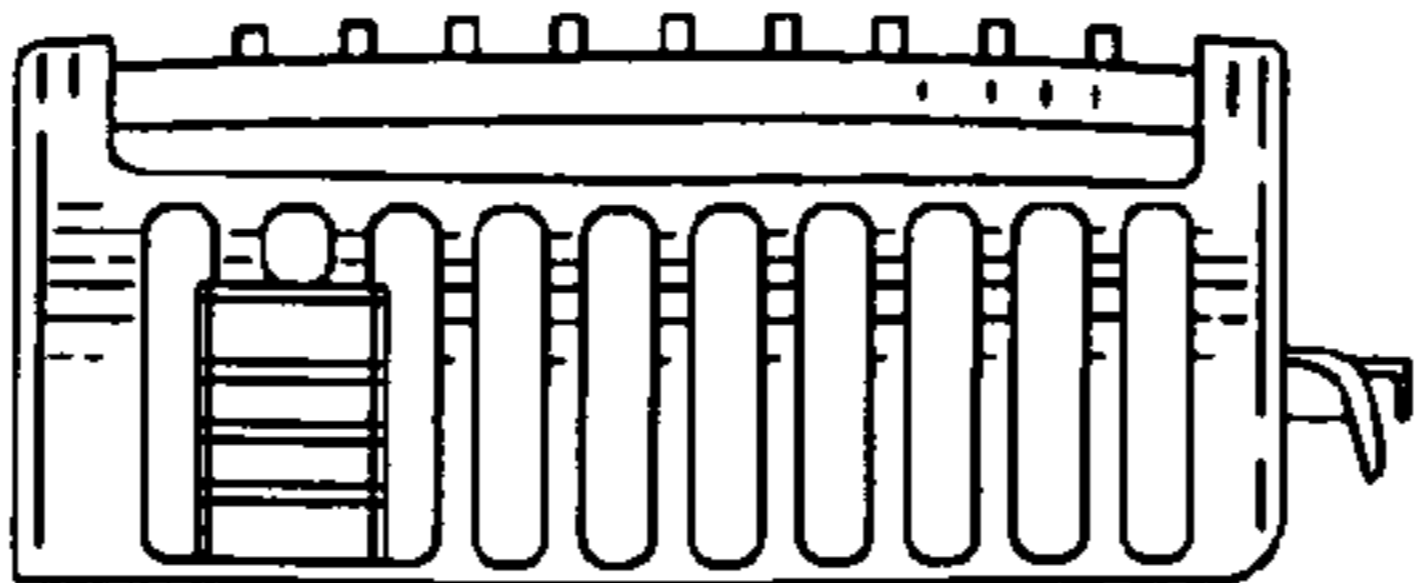


Fig. 8

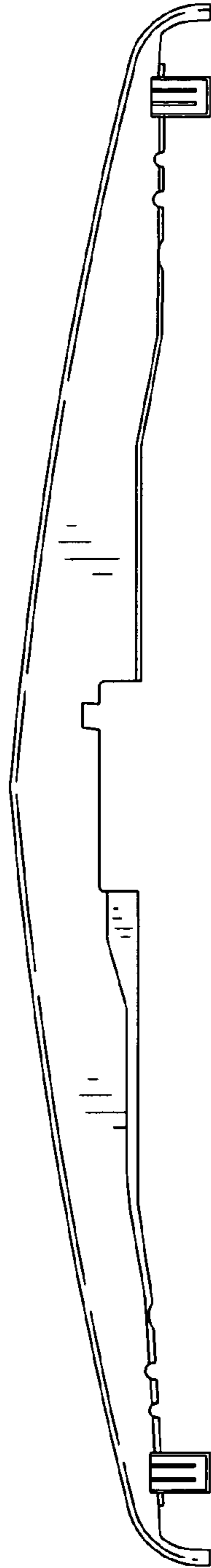


Fig. 10