



US00D624466S

(12) **United States Design Patent**
Peterson et al.

(10) **Patent No.:** **US D624,466 S**

(45) **Date of Patent:** **** Sep. 28, 2010**

(54) **MINIATURE HITCH**

(76) Inventors: **Kevin Lee Peterson**, 14220 S. 131st,
Gilbert, AZ (US) 85233; **Daniel Arthur
Welsh**, 5311 S. Val Vista, Gilbert, AZ
(US) 85298

(**) Term: **14 Years**

(21) Appl. No.: **29/351,417**

(22) Filed: **Dec. 4, 2009**

(51) **LOC (9) Cl.** **12-16**

(52) **U.S. Cl.** **D12/162**

(58) **Field of Classification Search** D12/161-162,
D12/199, 400; 280/186, 402-403, 405, 407,
280/482, 511-513, 405.1-405.2, 407.1, 416.2,
280/455.1, 491.5

See application file for complete search history.

(56) **References Cited**

U.S. PATENT DOCUMENTS

7,661,694 B2 * 2/2010 Krespach et al. 280/511

2004/0100066 A1 * 5/2004 Andersen 280/511

2005/0040623 A1 * 2/2005 Krespach et al. 280/511
2006/0017260 A1 * 1/2006 Andersen 280/491.5

* cited by examiner

Primary Examiner—T. Chase Nelson

Assistant Examiner—Kathleen M Sims

(74) *Attorney, Agent, or Firm*—Schmeiser, Olsen & Watts,
LLP

(57) **CLAIM**

The ornamental design for a miniature hitch, as shown and
described.

DESCRIPTION

FIG. 1 is a front perspective view of the miniature hitch
showing our design;

FIG. 2 is a side perspective view thereof;

FIG. 3 is a right side view thereof;

FIG. 4 is a left side view thereof;

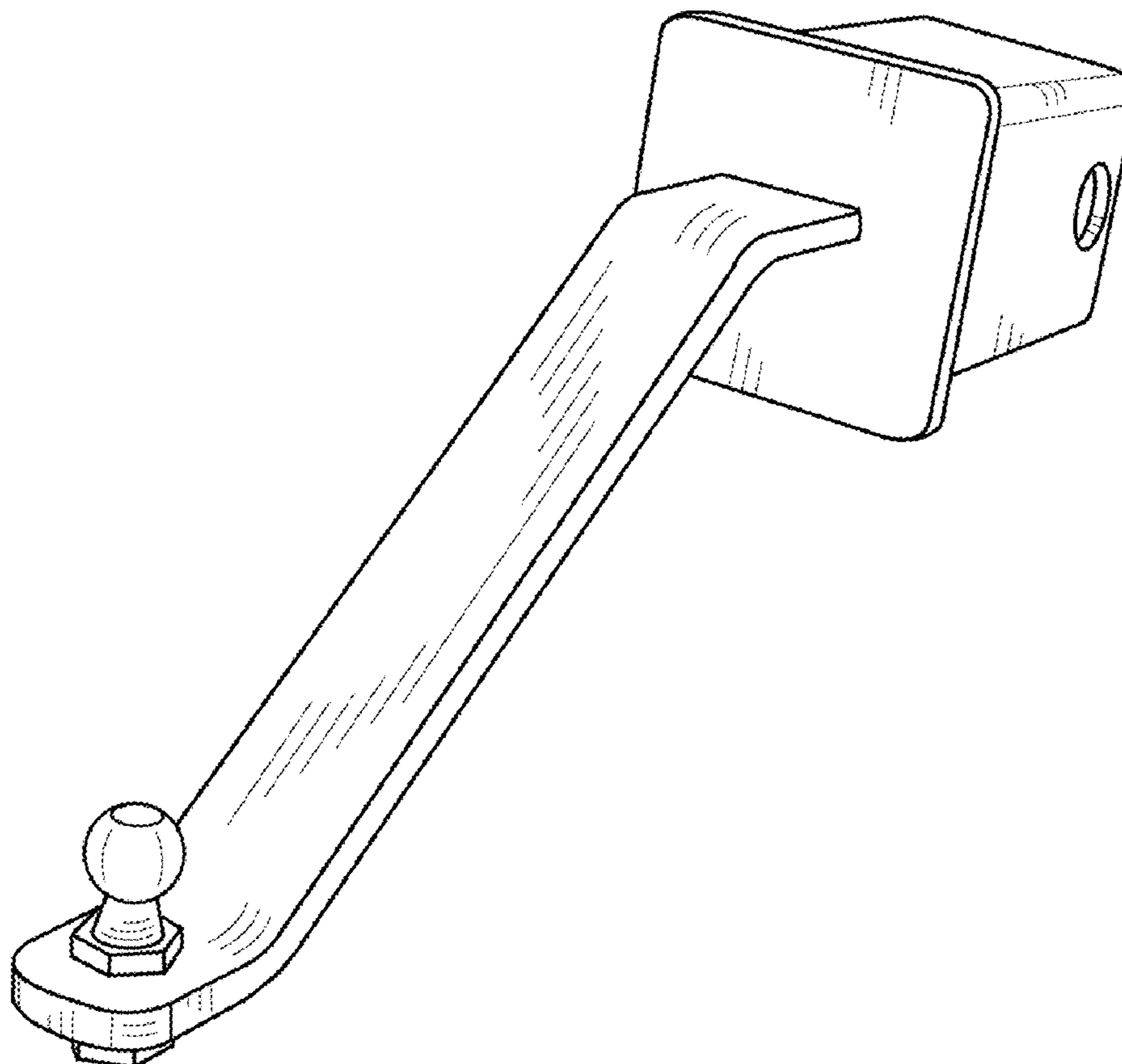
FIG. 5 is a top plan view thereof;

FIG. 6 is a bottom plan view thereof;

FIG. 7 is a front view thereof; and,

FIG. 8 is a rear view thereof.

1 Claim, 5 Drawing Sheets



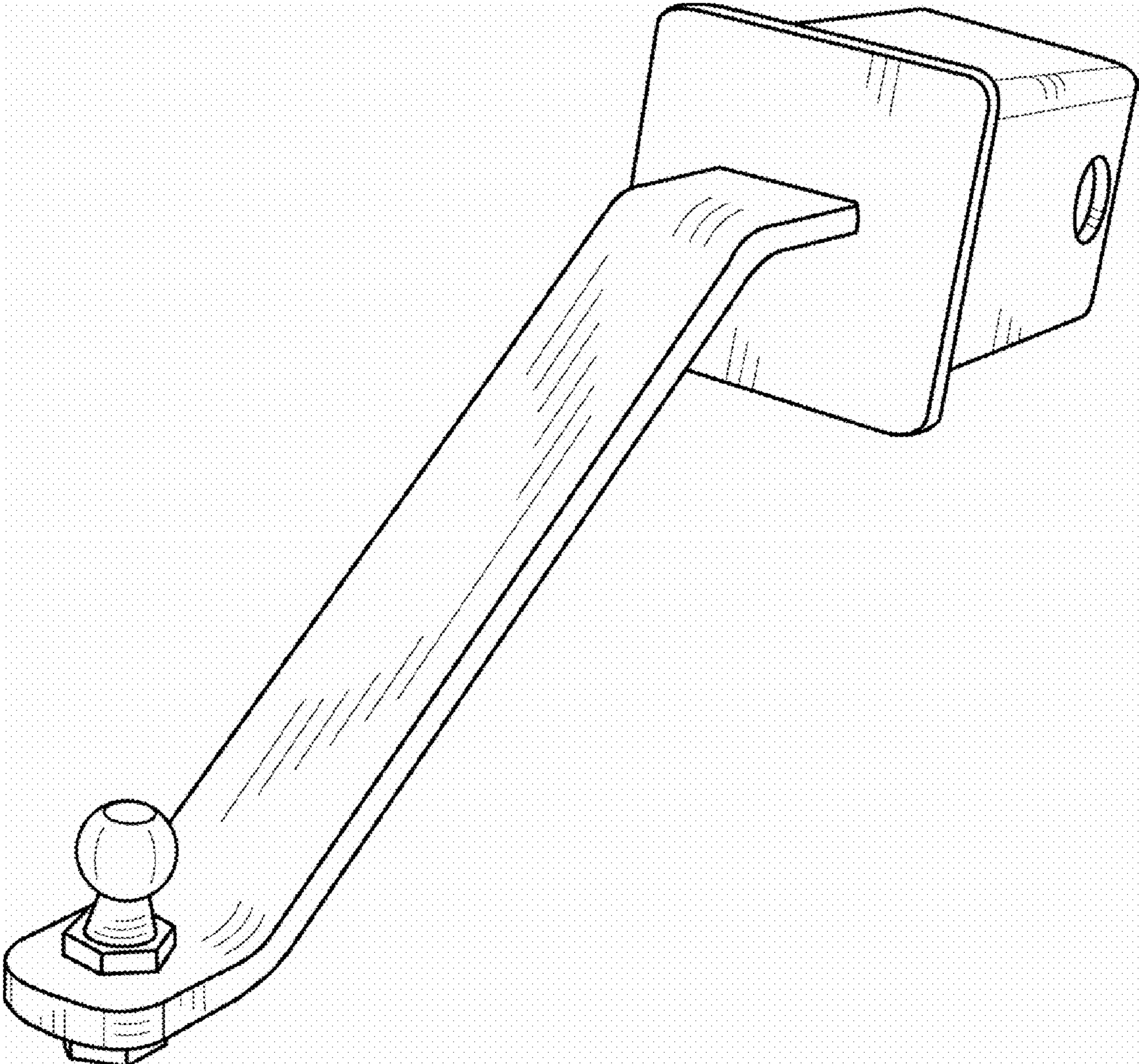


Figure 1

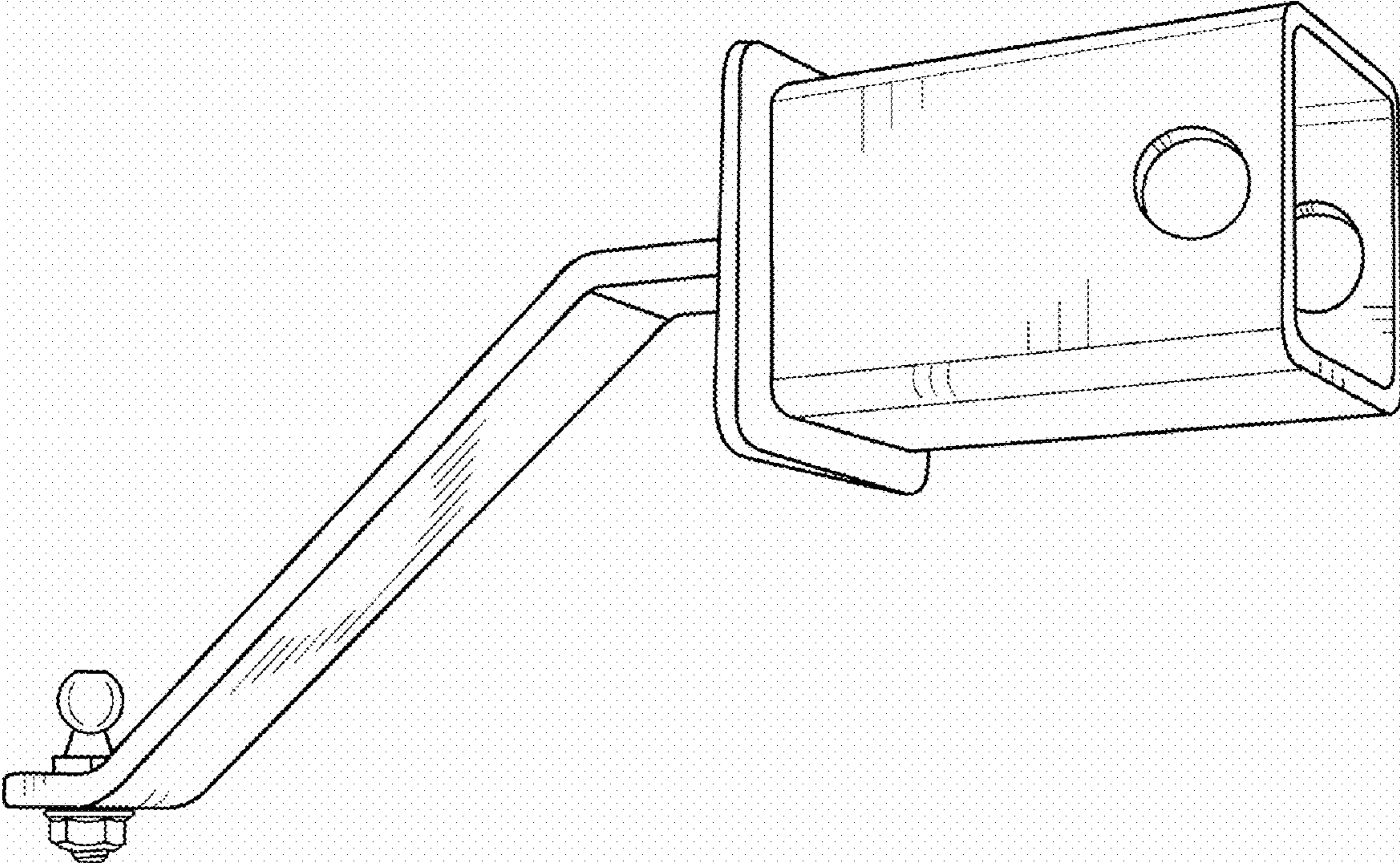


Figure 2

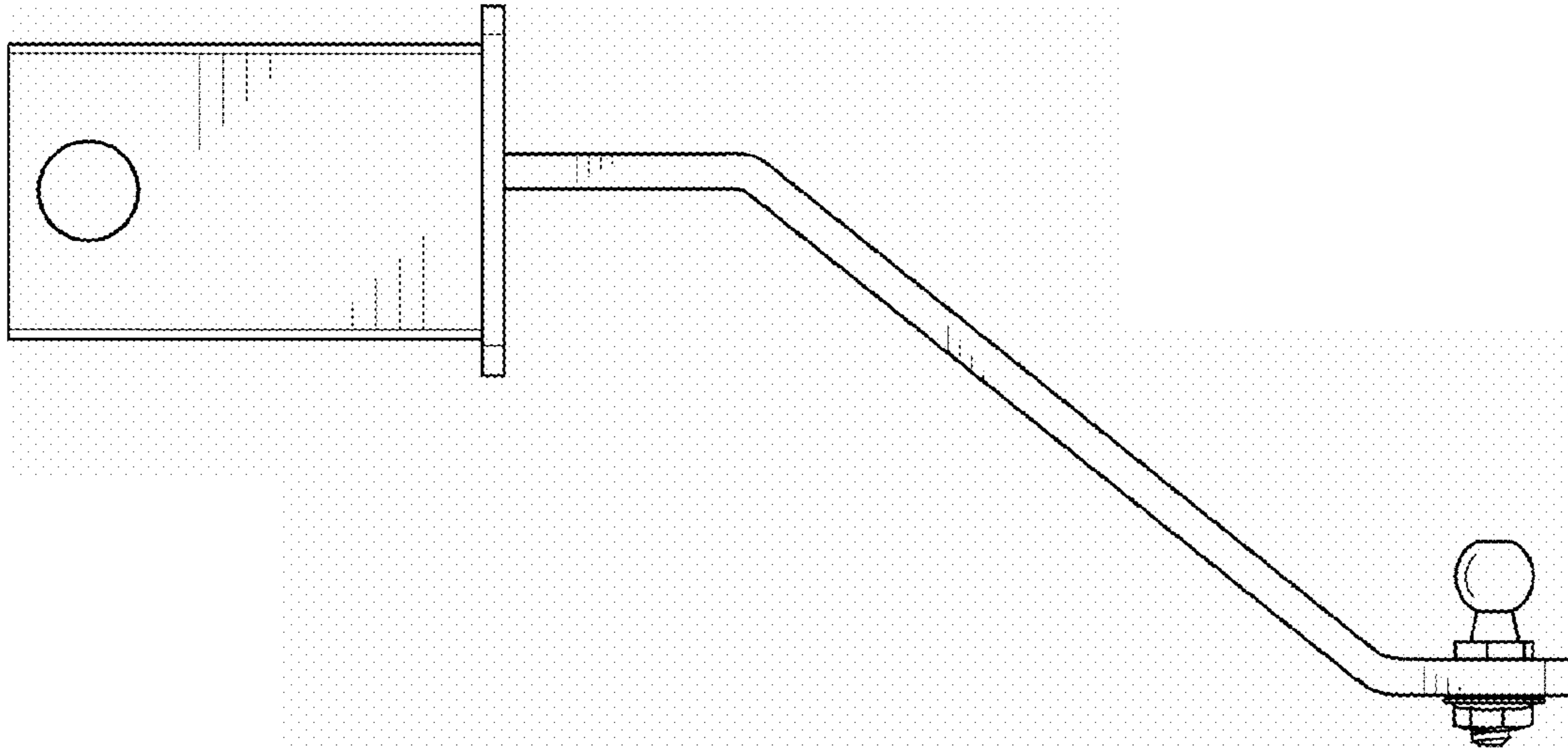


Figure 3

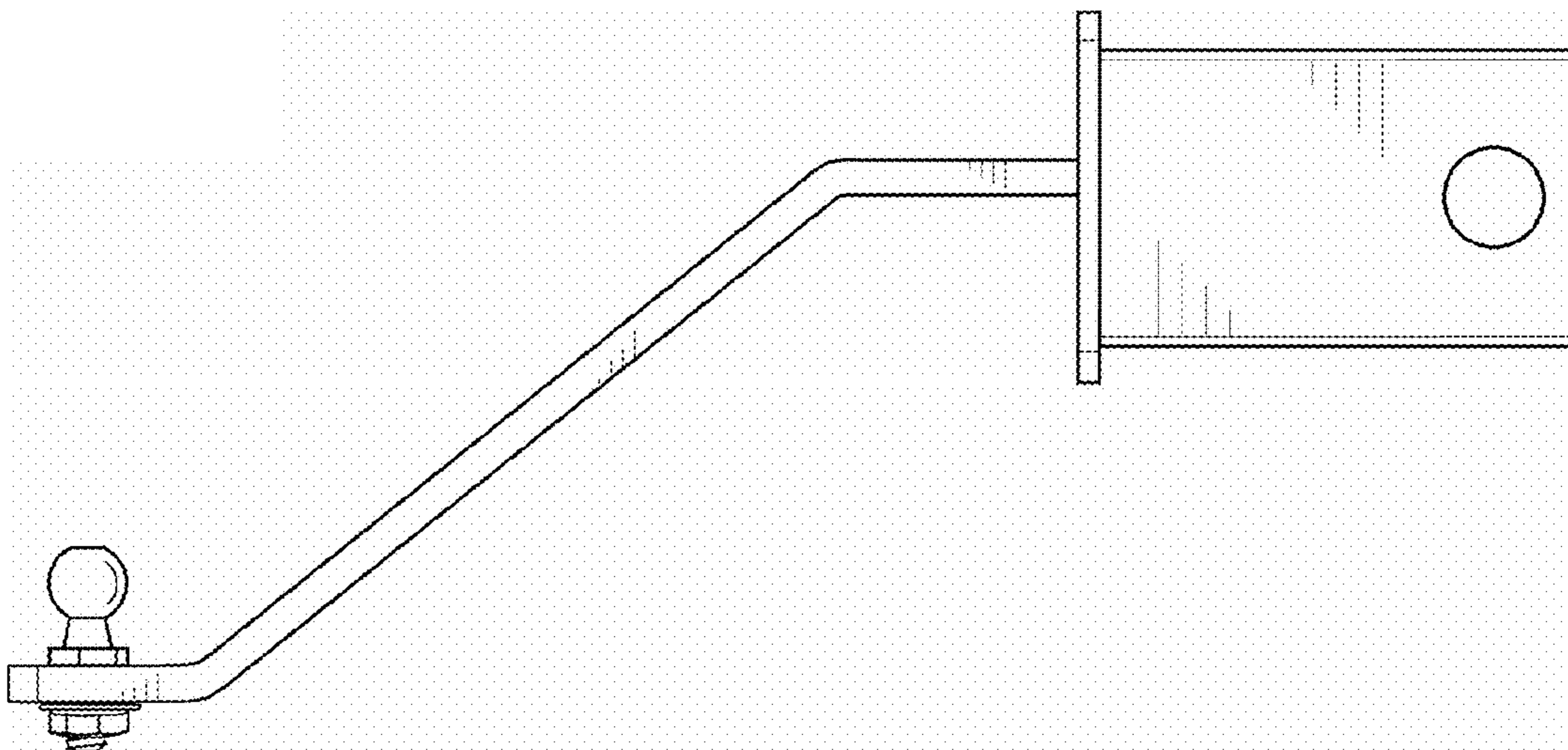


Figure 4

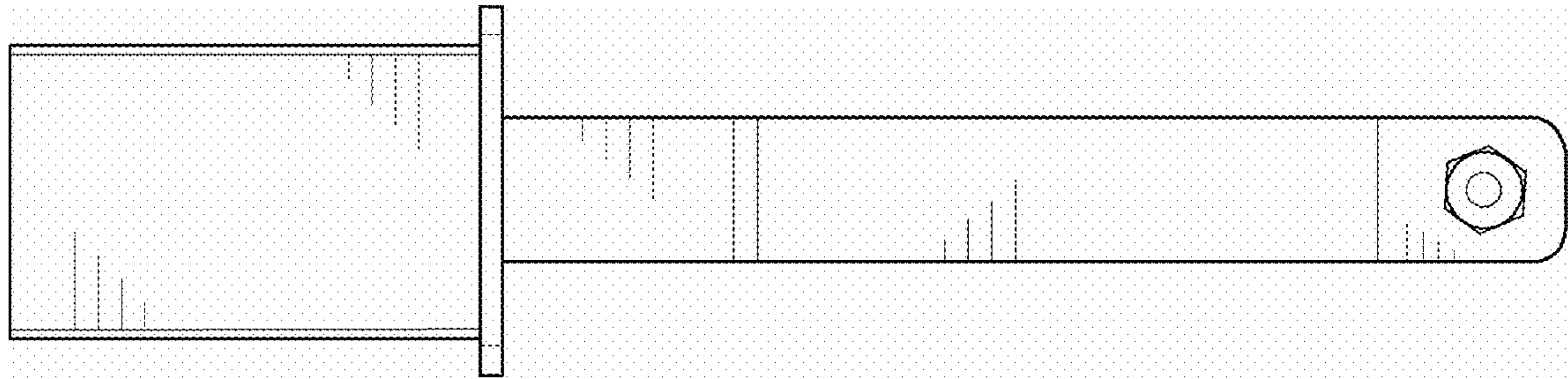


Figure 5

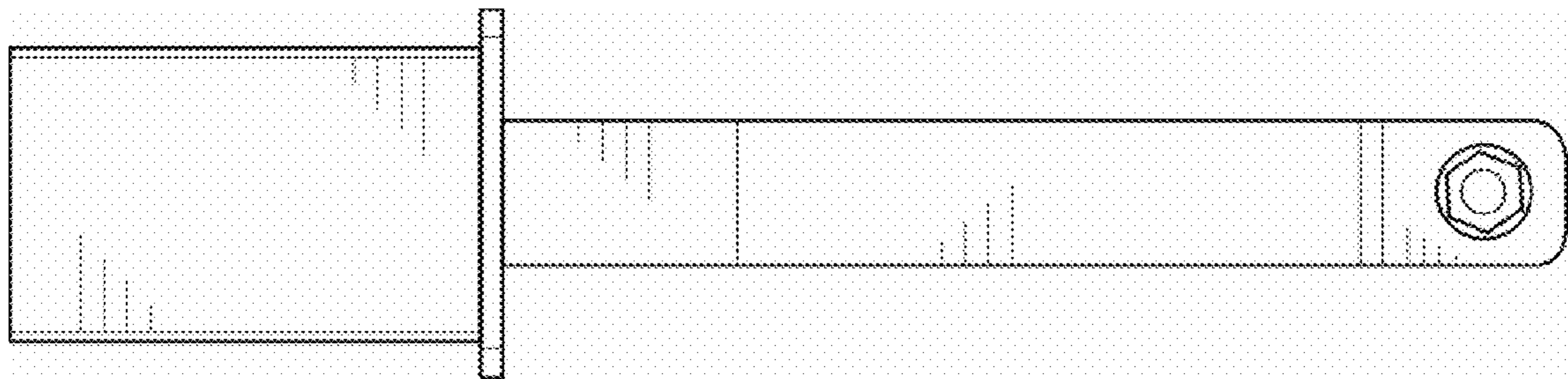


Figure 6

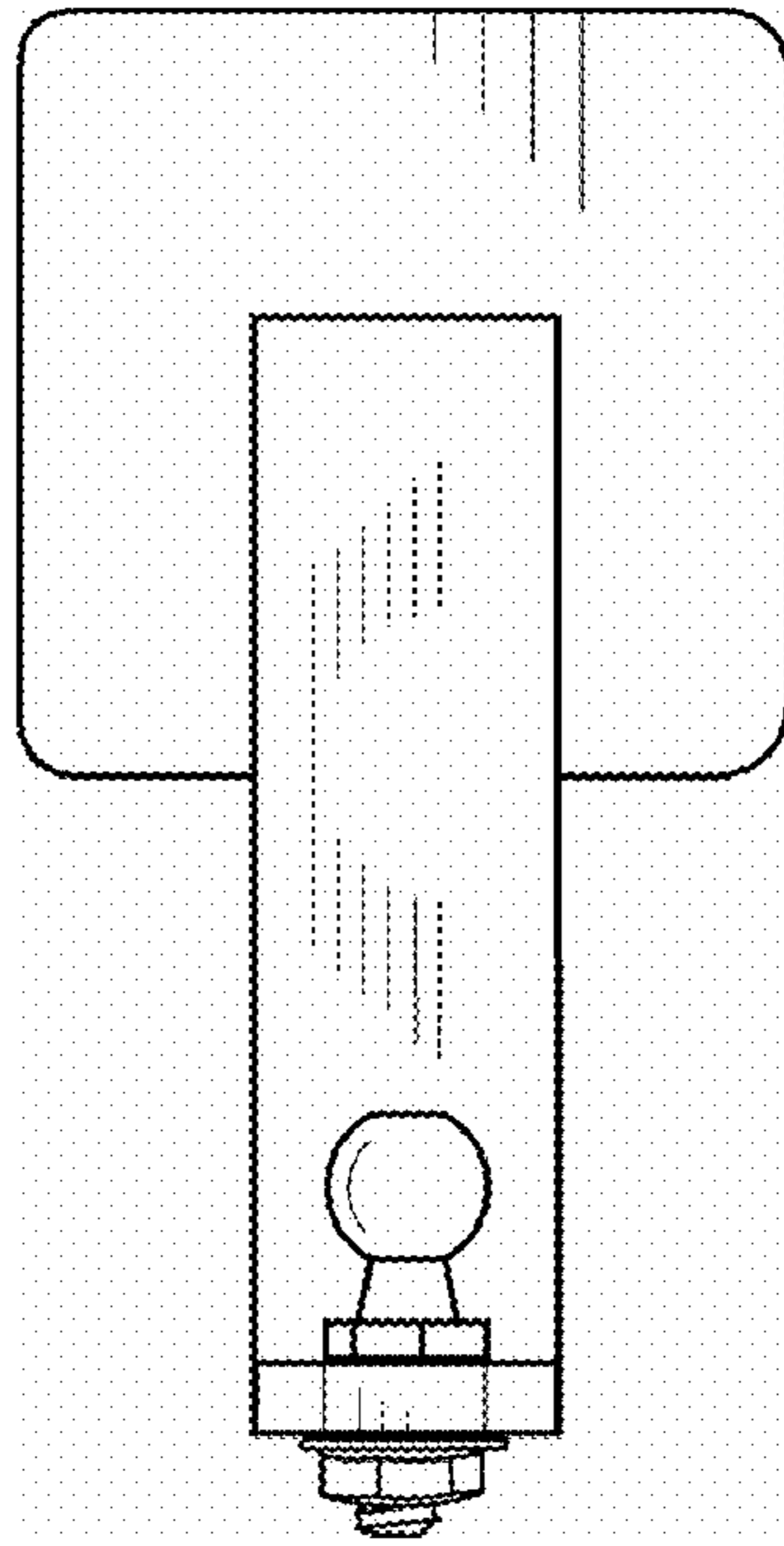


Figure 7

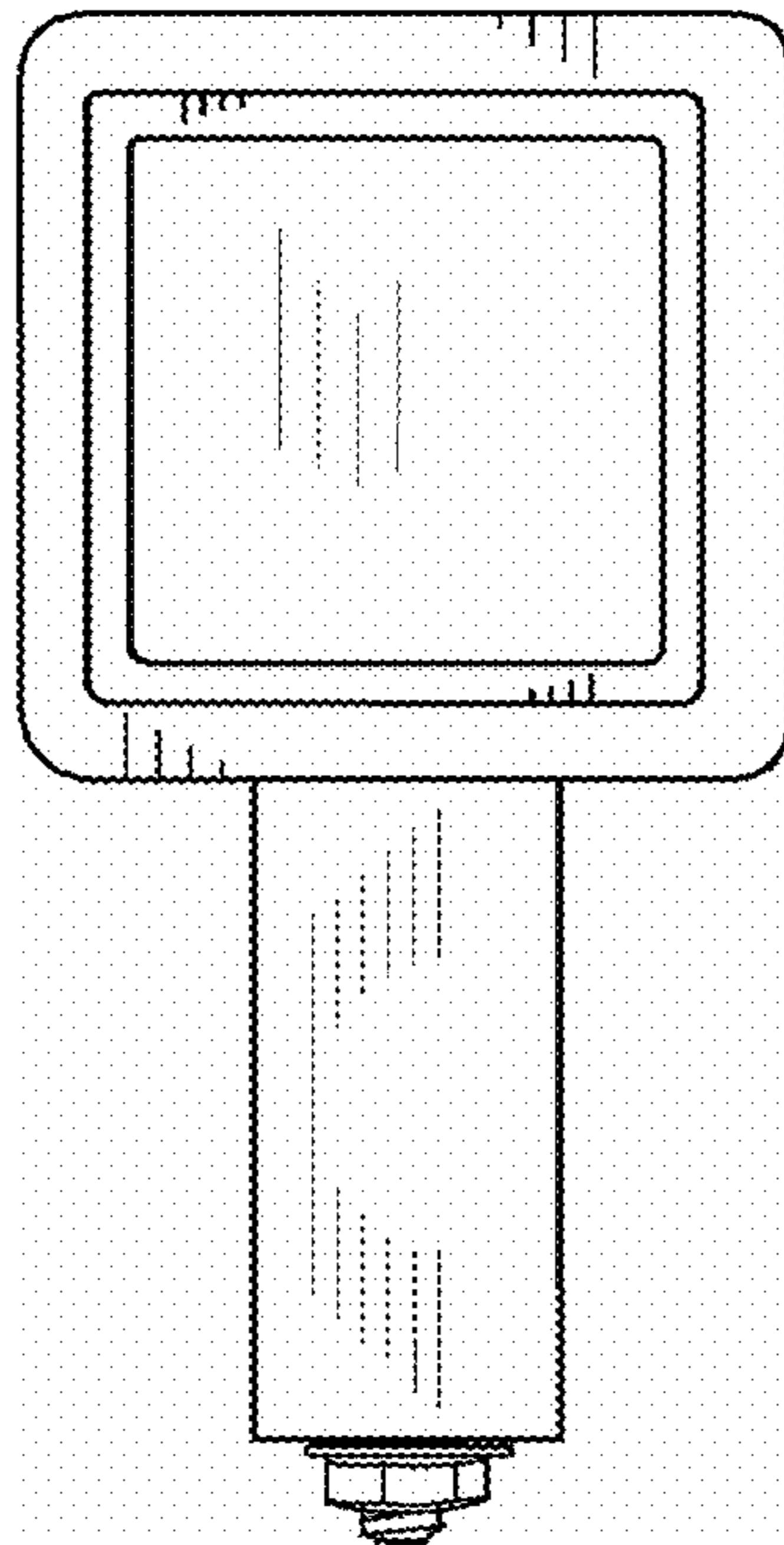


Figure 8