



US00D624464S

(12) **United States Design Patent**  
**Noble et al.**

(10) **Patent No.:** **US D624,464 S**  
(45) **Date of Patent:** **\*\* Sep. 28, 2010**

(54) **SPRING HOUSING**

**DESCRIPTION**

(75) Inventors: **Shawn D. Noble**, Naperville, IL (US);  
**Michael P. Robinson**, Chicago, IL (US)

(73) Assignee: **Hendrickson USA, L.L.C.**, Itasca, IL (US)

(\*\*) Term: **14 Years**

(21) Appl. No.: **29/339,132**

(22) Filed: **Jun. 24, 2009**

(51) **LOC (9) Cl.** ..... **12-16**

(52) **U.S. Cl.** ..... **D12/159**

(58) **Field of Classification Search** ..... D12/118,  
D12/400, 161, 159, 160; 188/281, 298, 297,  
188/315, 316, 274, 286; 267/195, 136, 64.15,  
267/217; 464/173; D21/76; 293/134  
See application file for complete search history.

(56) **References Cited**

**U.S. PATENT DOCUMENTS**

3,279,820 A 10/1966 Hickman  
4,753,456 A \* 6/1988 Booher ..... 280/124.134  
D344,254 S \* 2/1994 Zimmerman ..... D12/159

**OTHER PUBLICATIONS**

Hendrickson, A Boler Company, Hendrickson Frame Hanger Selection Guide, May 1990.

(Continued)

*Primary Examiner*—T. Chase Nelson

*Assistant Examiner*—Michael A Pratt

(74) *Attorney, Agent, or Firm*—McDonnell Boehnen Hulbert & Berghoff LLP

(57) **CLAIM**

The ornamental design for a spring housing, as shown and described.

FIG. 1 is an elevational view showing a front side of a spring housing having the inventive design, and FIG. 1 includes section line 12—12;

FIG. 2 is a top view of the spring housing shown in FIG. 1;

FIG. 3 is an elevational view showing the left side of the spring housing shown in FIG. 1, and FIG. 3 includes section line 13—13;

FIG. 4 is an elevational view showing the right side of the spring housing shown in FIG. 1, and FIG. 4 includes section line 14—14;

FIG. 5 is an elevational view showing a back side of the spring housing shown in FIG. 1, and FIG. 5 includes section lines 10—10 and 11—11;

FIG. 6 is a bottom view of the spring housing shown in FIG. 1;

FIG. 7 is a perspective view showing the top, back side, and right side of the spring housing shown in FIG. 1;

FIG. 8 is a perspective view showing the top, front side, and left side of the spring housing shown in FIG. 1;

FIG. 9 is a perspective view showing the bottom, back side, and right side of the spring housing shown in FIG. 1;

FIG. 10 is a sectional view of the spring housing shown in FIG. 5, taken along section line 10—10 thereof;

FIG. 11 is a sectional view of the spring housing shown in FIG. 5, taken along section line 11—11 thereof;

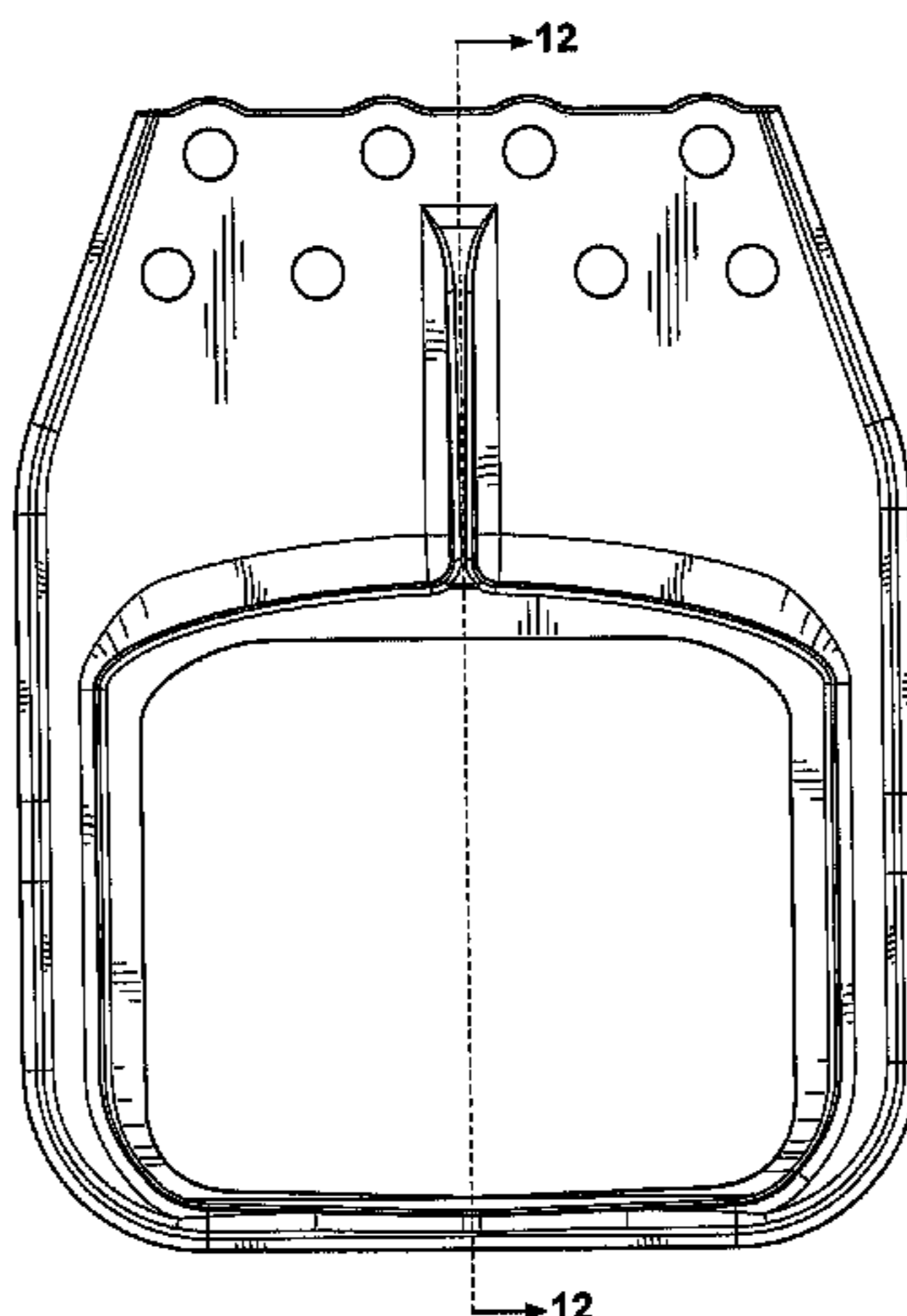
FIG. 12 is a sectional view of the spring housing shown in FIG. 1, taken along section line 12—12 thereof;

FIG. 13 is a sectional view of the spring housing shown in FIG. 3, taken along section line 13—13 thereof; and,

FIG. 14 is a sectional view of the spring housing shown in FIG. 4, taken along section line 14—14 thereof.

The section lines shown in FIG. 1, FIG. 3, FIG. 4, and FIG. 5 form no part of the claimed design.

**1 Claim, 8 Drawing Sheets**



## OTHER PUBLICATIONS

- Hendrickson, A Boler Company, Hendrickson RS Series, Single Axle Suspension, Sep. 1995.
- Hendrickson, RS Series Rubber Load Cushion, Only Hendrickson makes choosing a heavy-duty suspension this easy, Jun. 1993.
- Hendrickson, A Boler Company, HN Series Technical Sales Publication, Jun. 1997.
- Hendrickson Suspension, RS Series rubber load cushion, Jul. 1991.
- Hendrickson Mfg., Tandem Division, Wide spread equalizing beams, sales bulletin, May 1981.
- Hendrickson Mfg. Co., Tandem Division, Hendrickson Tandem Suspensions for GMC Trucks, Aug. 1979.
- Hendrickson, The Boler Company, RS Frame Hanger, Dec. 1997.
- Hendrickson, A Boler Company, RS Series Rubber Load Cushion Suspensions, Mar. 1996.
- Hendrickson, A Boler Company, RS Series Rubber Load Cushion Suspensions, Jul. 1996.
- Hendrickson, A Boler Company, RS Series Rubber Load Cushion, Mar. 1998.
- Hendrickson Suspension, HN Series Premium Rubber, Hendrickson introduces a completely new concept in Walking Beam Suspension, Jun. 1993.
- Hendrickson Suspension, A Boler Company, Hendrickson HNT Series, Feb. 1992.
- Hendrickson Suspension, Sales Engineering Update, Mar. 1993.
- Hendrickson Truck Suspension Systems, A Boler Company, RS Series Rubber Load Cushion, Dec. 1996.
- Hendrickson Truck Suspension Systems, A Boler Company, RS Series Rubber Load Cushion, Apr. 1998.
- Hendrickson Truck Suspension Systems, A Boler Company, HN Series VariRate Spring System, May 1997.
- Hendrickson Truck Suspension Systems, A Boler Company, HN Series VariRate Spring System, Nov. 1997.
- Hendrickson Truck Suspension Systems, A Boler Company, HN Series VariRate Spring System, Sep. 1998.
- Hendrickson Truck Suspension Systems, A Boler Company, HN Series VariRate Spring System, Jul. 1999.
- Hendrickson, HN Series VariRate Spring System, Nov. 2000.
- Hendrickson, HN Series VariRate Spring System, Nov. 2005.
- Hendrickson Truck Suspension Systems, A Boler Company, HN 402, Feb. 1996.
- Hendrickson Truck Suspension Systems, A Boler Company, R Series Solid Mount, Jul. 1999.
- Hendrickson Truck Suspension Systems, A Boler Company, RS Series Rubber Load Cushion, Jun. 1999.
- Hendrickson, Haulmaax Heavy Duty Suspension, Oct. 2001.
- Hendrickson, Haulmaax Heavy Duty Suspension, Dec. 2003.
- Hendrickson, Haulmaax Heavy Duty Suspension, Mar. 2005.
- Hendrickson, Haulmaax Heavy Duty Suspension, Jan. 2007.
- Hendrickson, Haulmaax Heavy Duty Suspension, Mar. 2008.
- Hendrickson, Assembly Instructions Haulmaax, Subject: Kit Nos. 64178-003 & 004, Feb. 2003.
- Hendrickson, Assembly Instructions Haulmaax, Subject: Tie-bar Bolster Spring Kit Nos. 64179-037, Jun. 2006.
- Hendrickson, Assembly Instructions Haulmaax, Subject: Outboard Frame Bracket for Paccar Vehicles Built after May 1, 2005 through Aug. 31, 2006, Oct. 2006.
- Hendrickson, Assembly Instructions Haulmaax Saddle Assembly, Subject: Service Kit No. 57974-048, Dec. 2008.
- Hendrickson, Technical Bulletin HN 402/462/522, Subject: Auxiliary Spring Shim Design, Oct. 2000.
- Hendrickson, Technical Bulletin HN 402/462/522, Subject: Auxiliary Shim Design, Oct. 2000.
- Hendrickson, Technical Bulletin Hn 402/462/522, Subject: Auxiliary Spring Shim Design, Jun. 2006.
- Hendrickson, Technical Bulletin Haulmaax Series, Subject: Mandatory Shock Applications, Nov. 2004.
- Hendrickson, Technical Bulletin R, RS, RT/RTE 46K Capacity, Subject: 46K Heavy-Duty Beam Option, Dec. 2004.
- Hendrickson, Technical Bulletin Haulmaax, Subject: 54" Equalizing Beam Assembly, Oct. 2005.
- Hendrickson, Technical Bulletin Haulmaax 460, Subject: Bolster Spring Assembly with Tie-bar, Jun. 2006.
- Hendrickson Truck Suspension Systems, A Boler Company, Sales engineering update, Subject: HN-402/462 Auxiliary Spring Assembly, Aug. 1998.
- Hendrickson Truck Suspension Systems, A Boler Company, Sales engineering update, Subject: Model Designation and Discontinuation, Aug. 1999.
- Hendrickson Truck Suspension Systems, A Boler Company, Sales engineering update, Subject: Equalizer Beam, Aug. 1999.
- Hendrickson, Parts List RS Series, Nov. 2004.
- Hendrickson, Parts List Haulmaax, May 2002.
- Hendrickson, Parts List Haulmaax, Jul. 2003.
- Hendrickson, Parts List Haulmaax, Jul. 2006.
- Hendrickson, Parts List Haulmaax, Dec. 2007.
- Hendrickson, Parts List RS 400/460/480/520 Jan. 1998.
- Hendrickson, Parts List HN 402/462, Sep. 1997.
- Hendrickson, Parts List HN Series, Dec. 2004.
- Hendrickson Truck Suspension Systems, A Boler Company, Technical Publication RS-340 thru 520, Subject: Springing: Frame Hangers, Load Cushions and Saddle Assembly, Jul. 1993.
- Hendrickson Truck Suspension Systems, A Boler Company, Technical Publication HN Series Truck & Trailer Suspension No. 17730-198, Mar. 1993.
- Hendrickson, Technical Procedure HN/HNT-400/460 Truck & Trailer Suspension in Production Nov. 1988-Sep. 1996, Apr. 1998.
- Hendrickson Truck Suspension Systems, A Boler Company, Technical Publication HN 402 Series, Subject: Service Instructions, Aug. 1996.
- Hendrickson Truck Suspension Systems, A Boler Company, Technical Publication HN 402/462 Series, Subject: Service Instructions, Aug. 1998.
- Hendrickson, Technical Procedure Haulmaax, Subject: Service Instructions, May 2002.
- Hendrickson, Technical Procedure Haulmaax, Subject: Service Instructions, Jun. 2007.
- Hendrickson, Technical Procedure Haulmaax, Subject: Pre-delivery Inspection and Preventive Maintenance, Apr. 2006.
- Hendrickson, Technical Procedure Haulmaax, Subject: Service Instructions, Dec. 2007.
- Hendrickson, Technical Procedure R/RS/RT Heavy Duty, Subject: 650K/850K/1000K Pound Capacity Beam End Connection Tightening Torque Procedure, Jul. 2006.
- Hendrickson, RS Series Rubber Load Cushion, Feb. 2000.
- MOR/ryde, the MOR/ryde Steer and Drive Axle Suspension Systems, Mar. 7, 2008.
- MOR/ryde, Company Profile, downloaded from the World Wide Web at <http://www.morrydede.com/php/about/profile/php> on Feb. 28, 2008.
- MOR/ryde, T/A Modular Rubber Suspension System, Service Manual, Mar. 5, 2003.
- MOR/ryde, Tandem Axle Rubber Suspension Sytem, Service Manual, Suspension Codes: T01-01 and L01-01, Mar. 5, 2003.
- MOR/ryde, RL Rubber Leaf Suspension System, Owner's Manual, Mar. 12, 2003.
- MOR/ryde, Commercial Trailer Suspension, Jun. 1973.
- MOR/ryde, School Bus Suspension, Aug. 1973.
- MOR/ryde, A rubber spring . . . heart of the Mor/ryde system, Aug. 1973.
- Jorn, Technology in Rubber—Metal, Sep. 29, 2008.
- Hendrickson, Parts List RS Series, Apr. 2008.
- Hendrickson, Technical Procedure, R/RS Heavy Duty, Subject: 85K/100K/120K lbs Capacity Tightening Torque for Torque Rod and Saddle Assembly Fasteners, Oct. 2008.
- U.S. Appl. No. 12/334,195, entitled "Modular Suspension System and Components Thereof" and filed Dec. 12, 2008.
- U.S. Appl. No. 12/045,069, entitled "Elastomeric Spring Vehicle Suspension" and filed Mar. 10, 2008.
- U.S. Appl. No. 29/329,354, entitled "Suspension Assembly" and filed Dec. 12, 2008.
- U.S. Appl. No. 29/339,134, entitled " Suspension Assembly" and filed Jun. 24, 2009.

# US D624,464 S

Page 3

---

Hendrickson, HN FR Series, HN FR Suspension 42-58K Fire/Rescue, Feb. 2009.

Hendrickson, Haulmaax Heavy-Duty Suspension, Jan. 2009.

Kenworth Truck Company, Haulmaax, May 14, 2009.

U.S. Appl. No. 29/329,357 entitled "Spring Housing for a Suspension" and filed Dec. 12, 2008.

U.S. Appl. No. 29/337,985 entitled "Spring Housing for a Suspension" and filed Jun. 2, 2009.

U.S. Appl. No. 29/315,182 entitled "Suspension Assembly" and filed Jun. 2, 2009.

\* cited by examiner

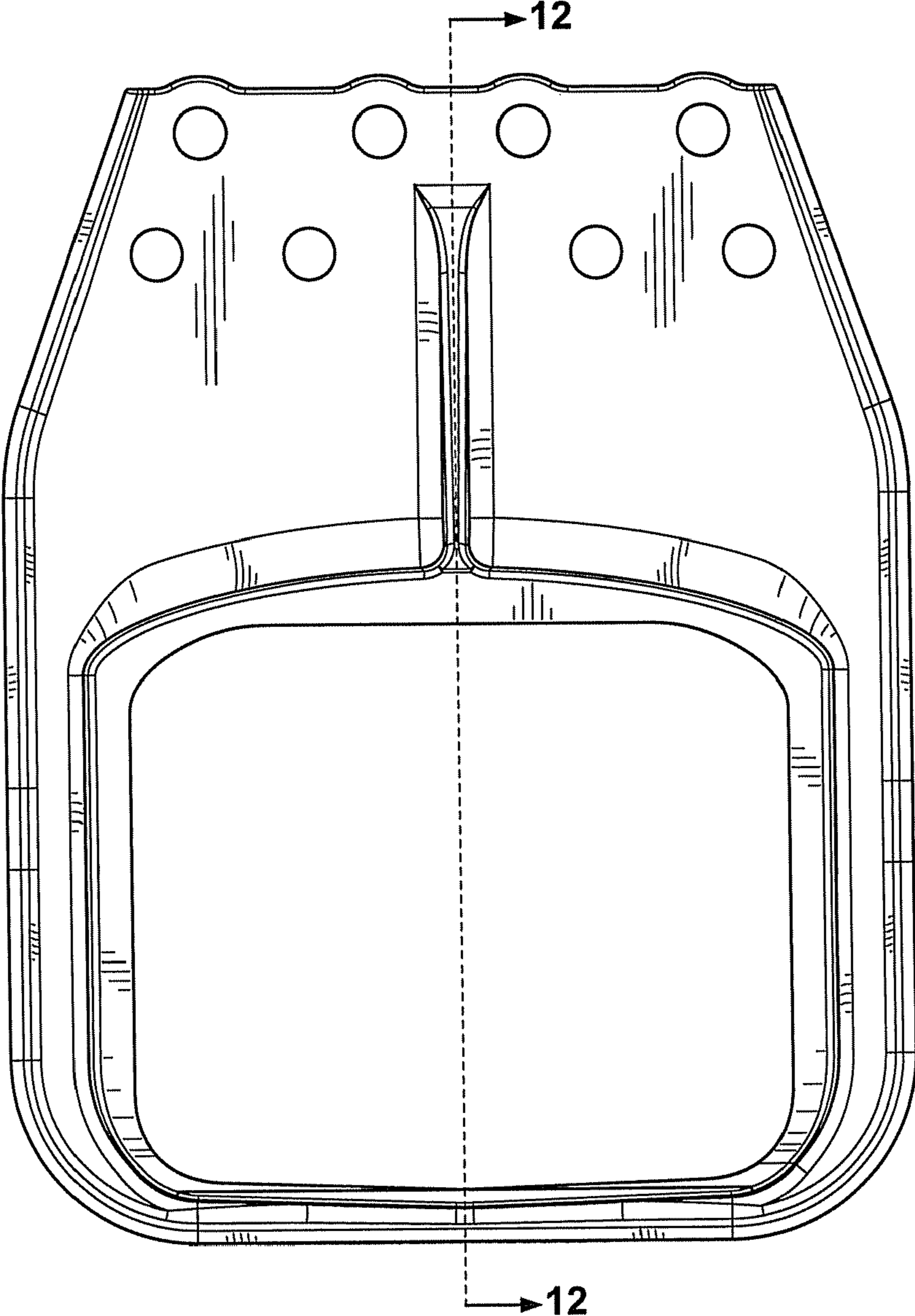


FIG. 1

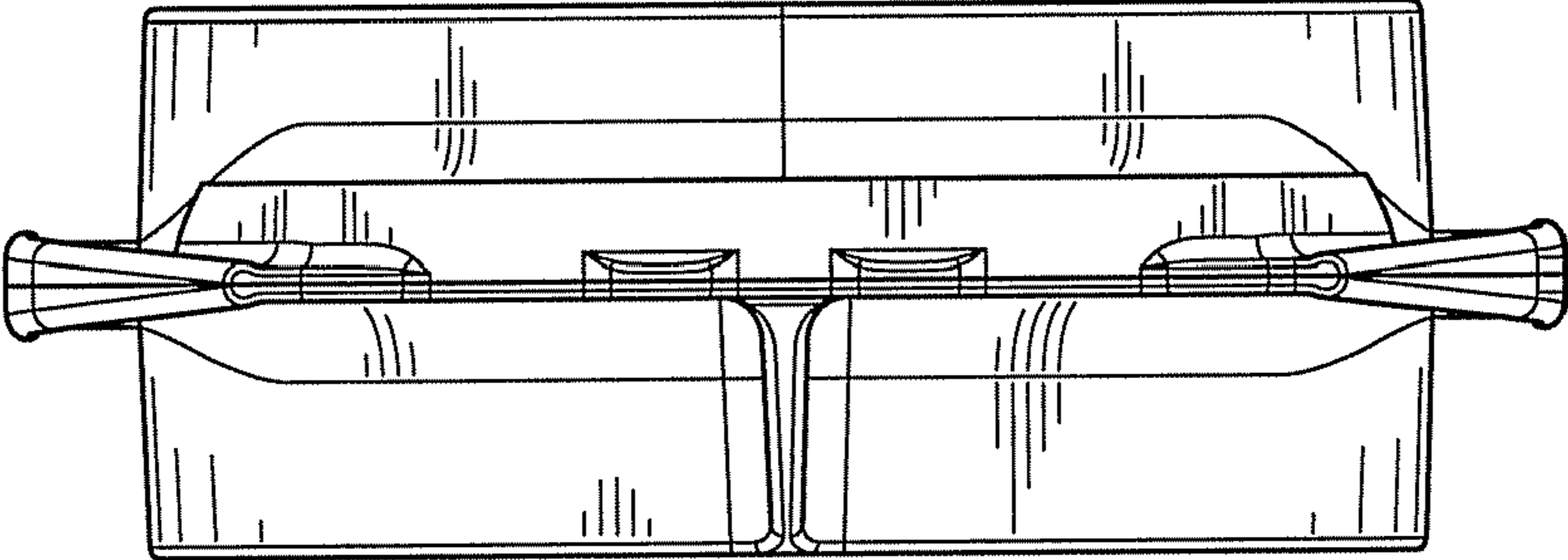


FIG. 2

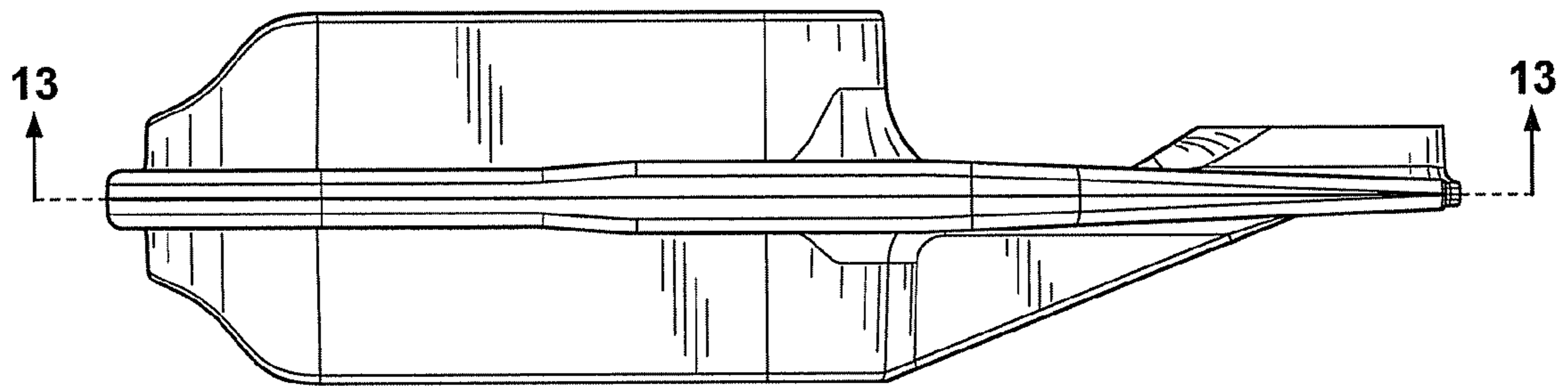


FIG. 3

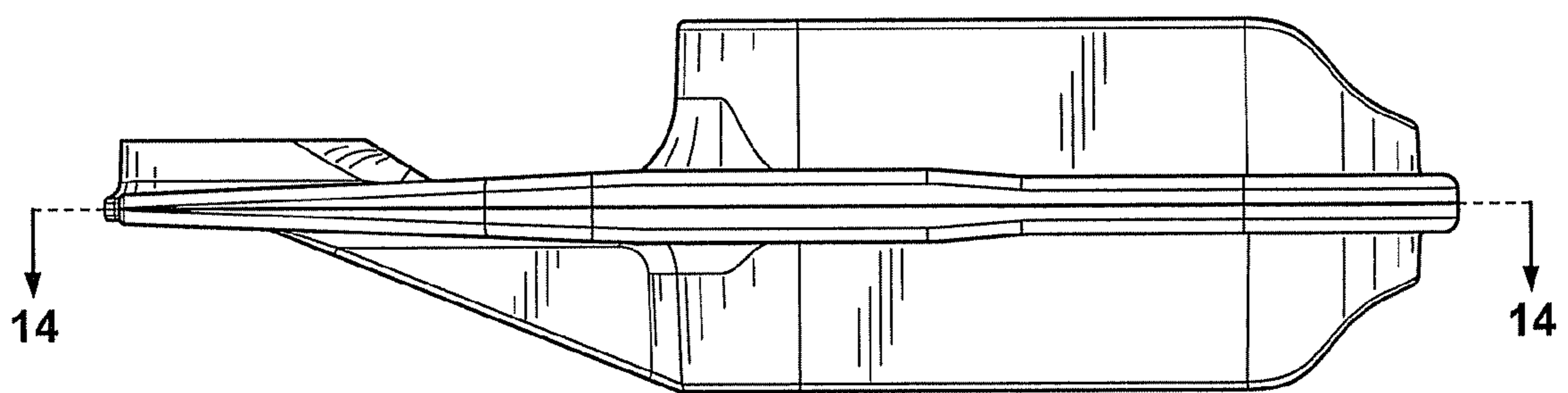


FIG. 4

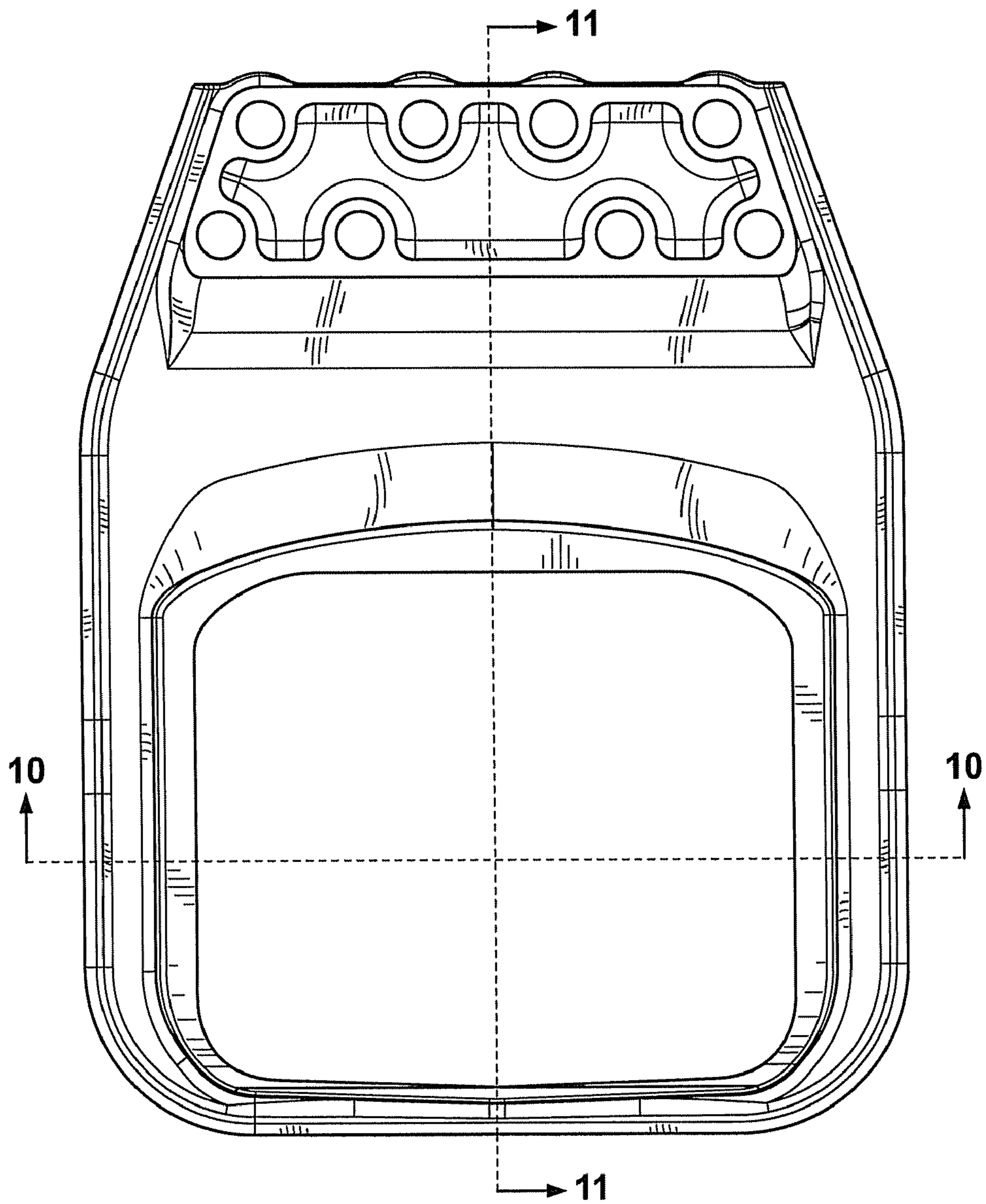


FIG. 5

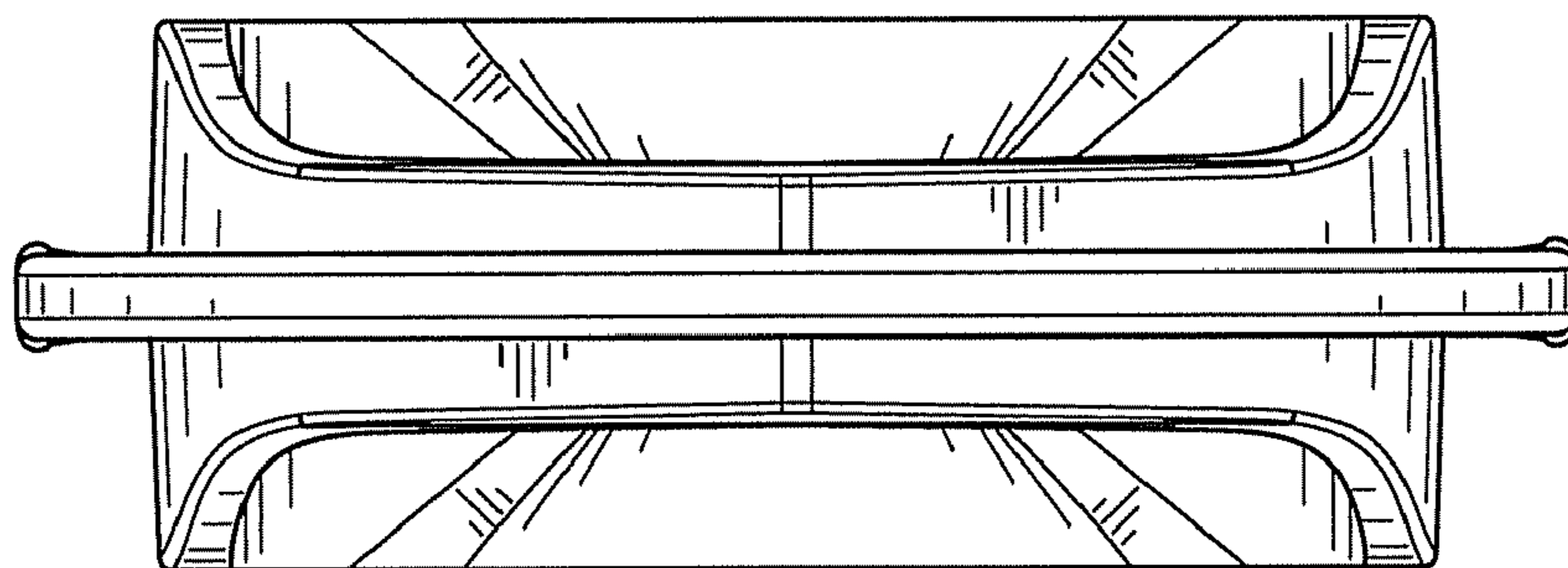


FIG. 6

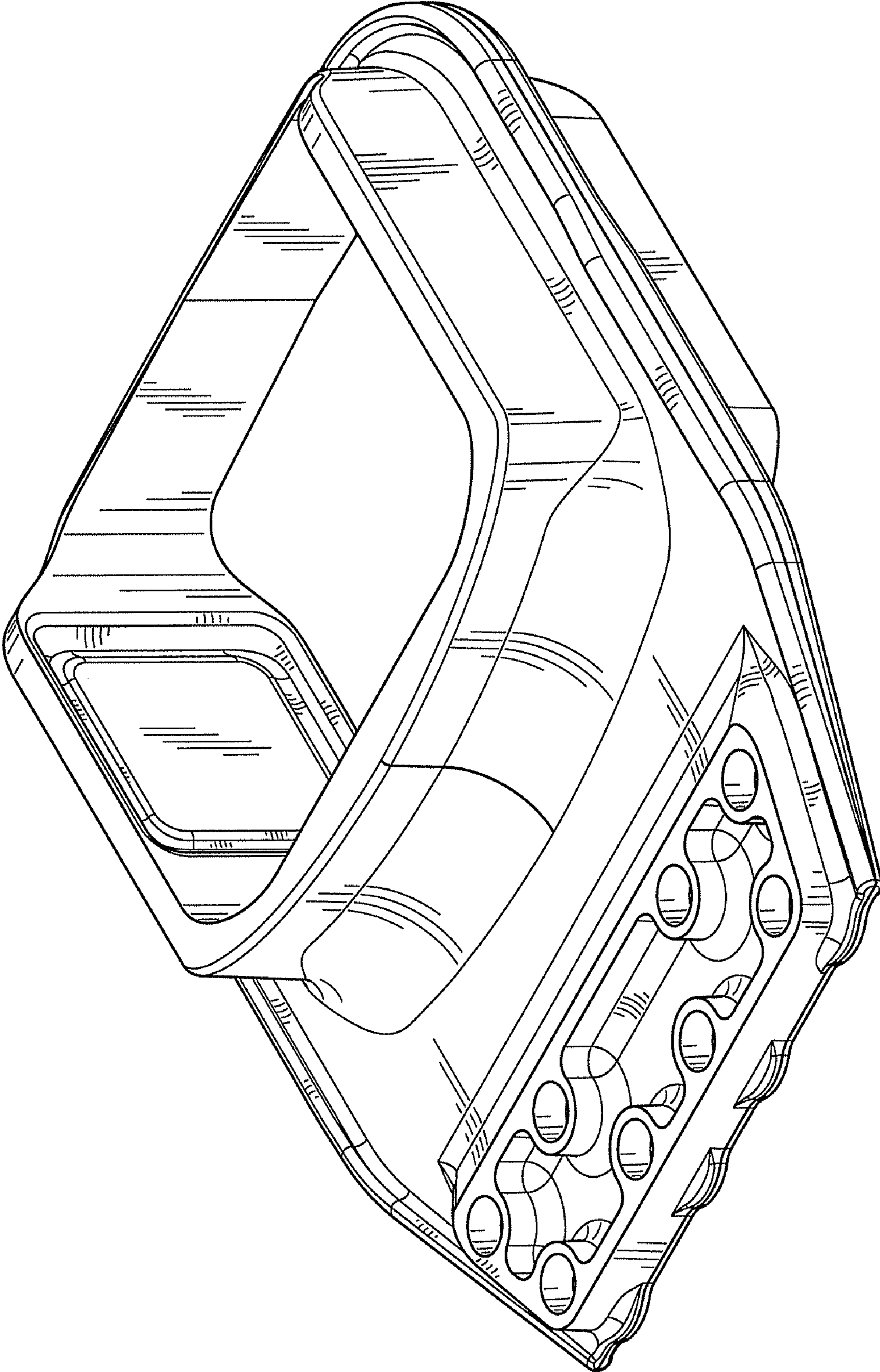


FIG. 7

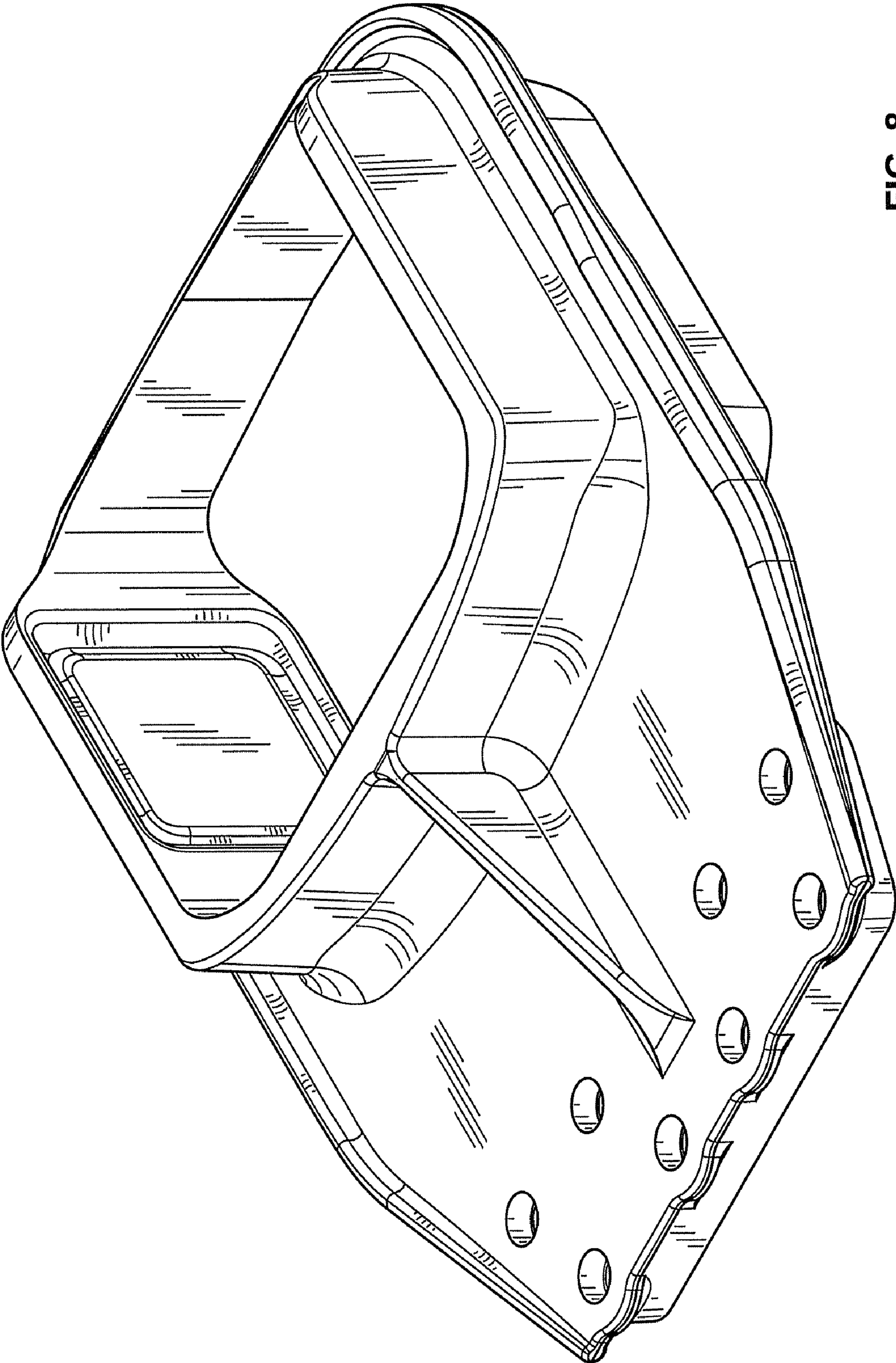


FIG. 8



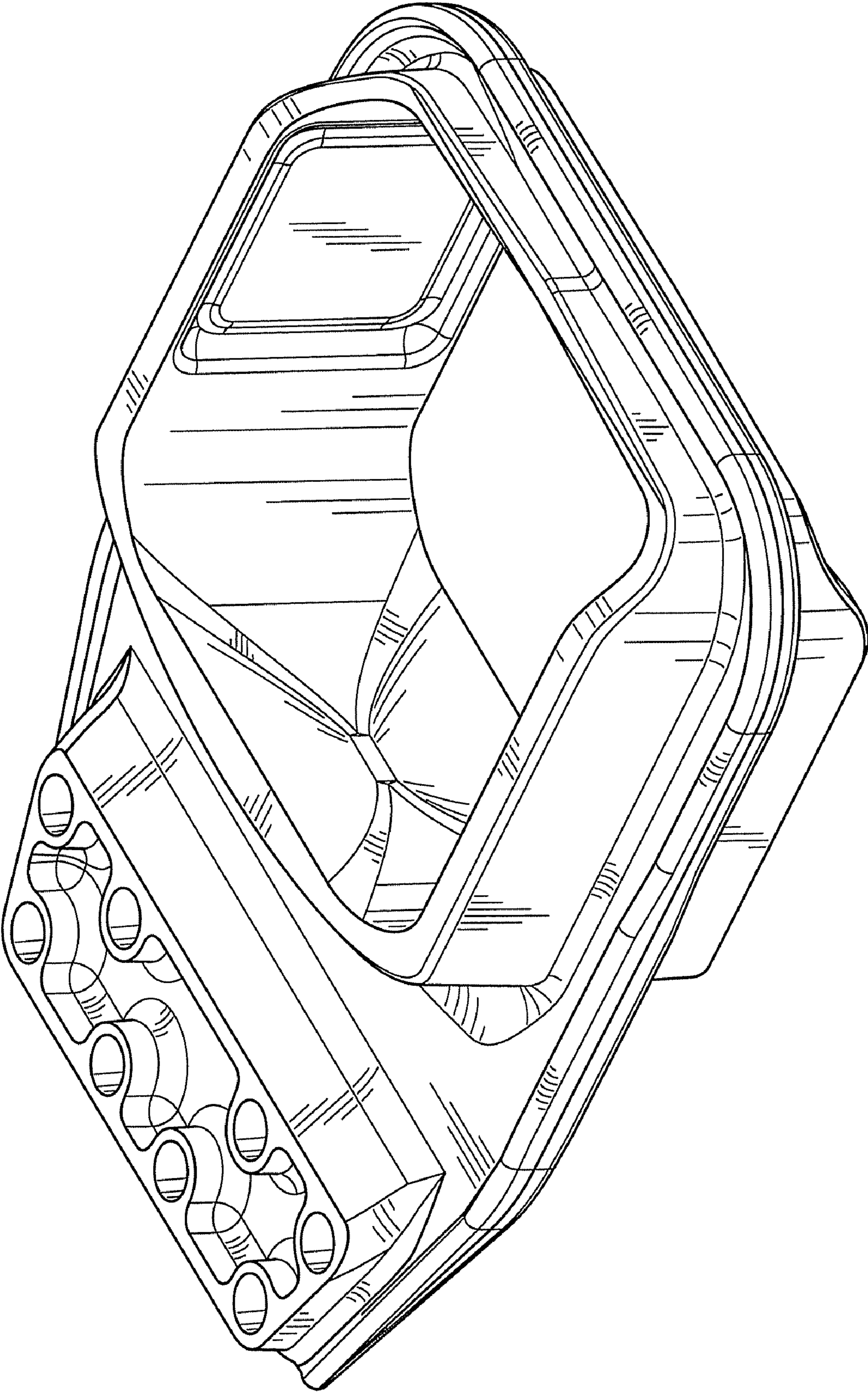


FIG. 9

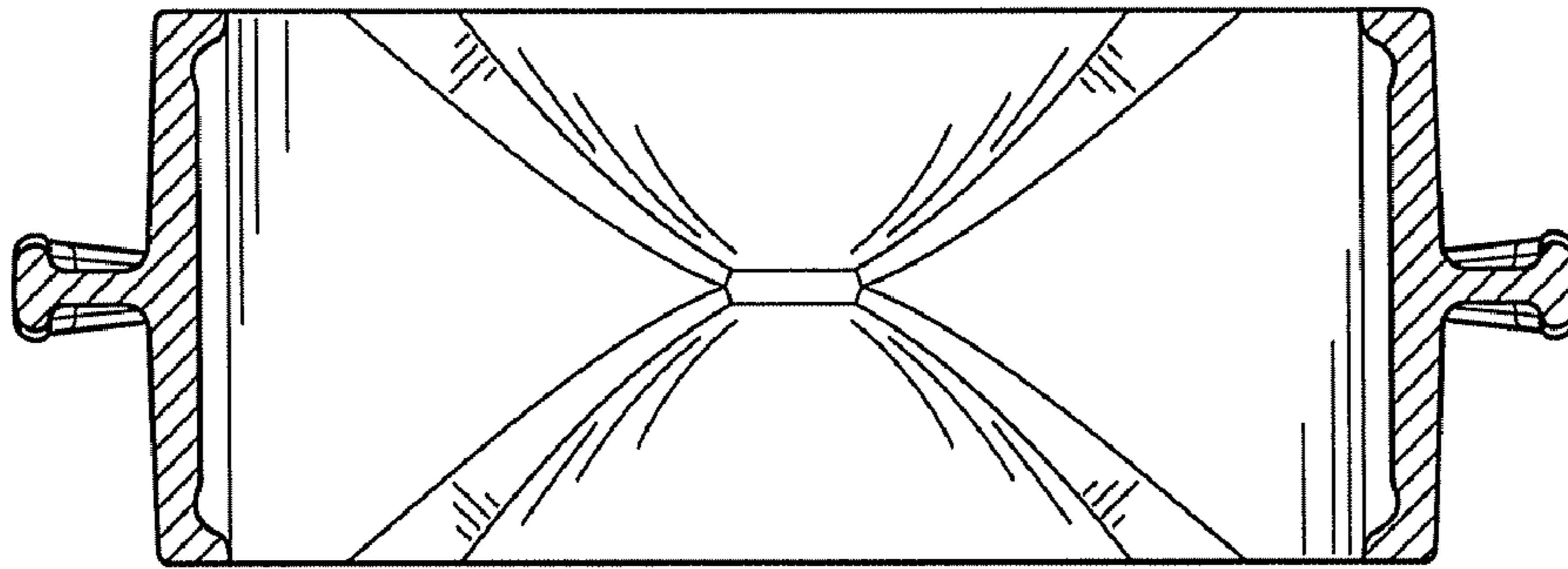


FIG. 10

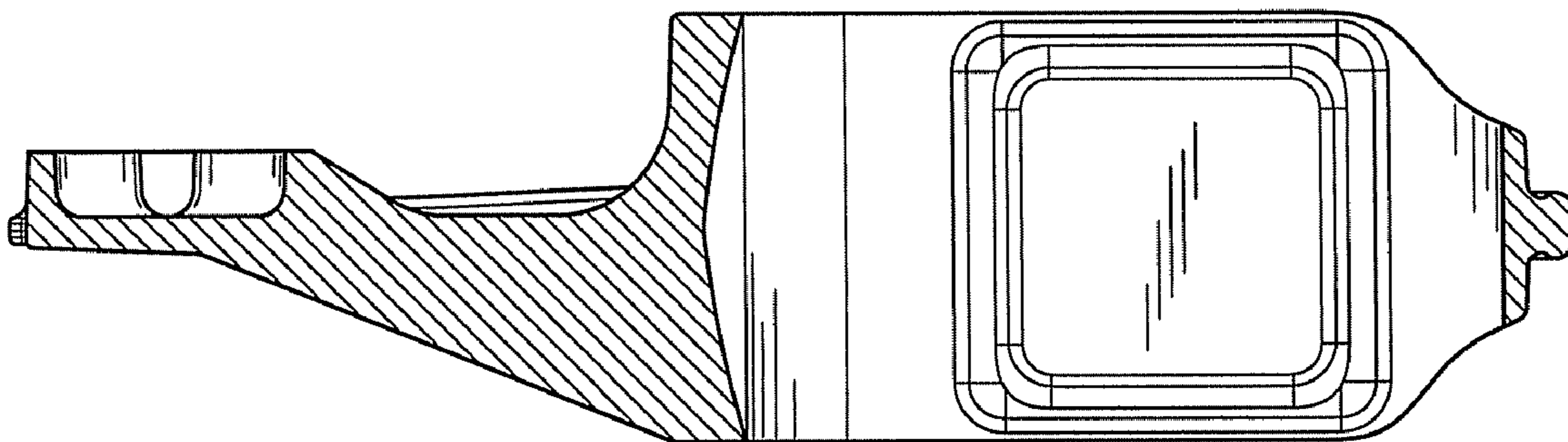


FIG. 11

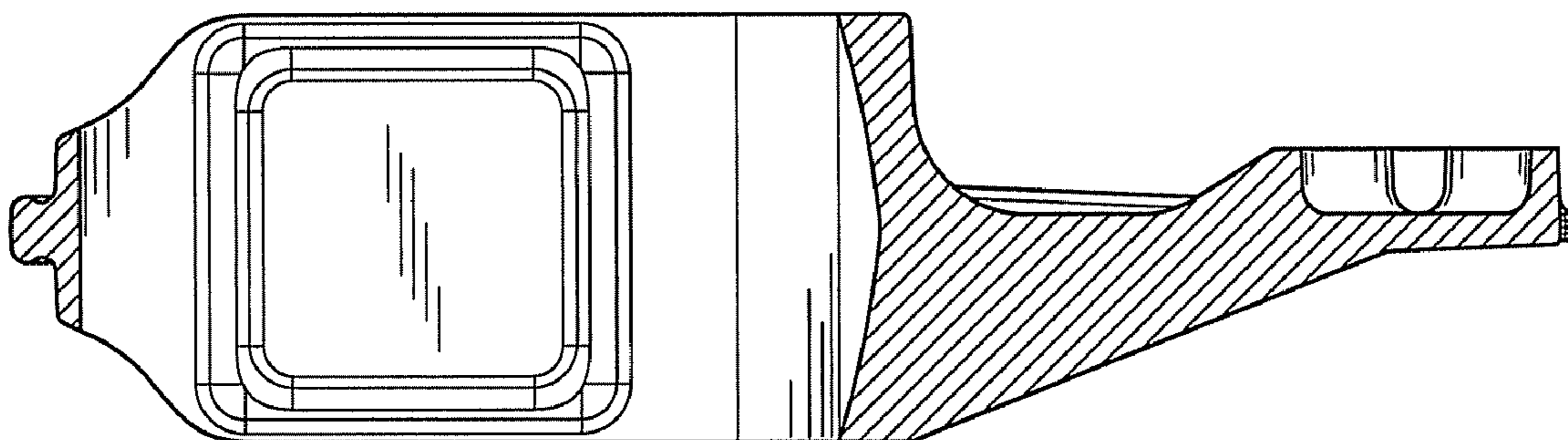


FIG. 12

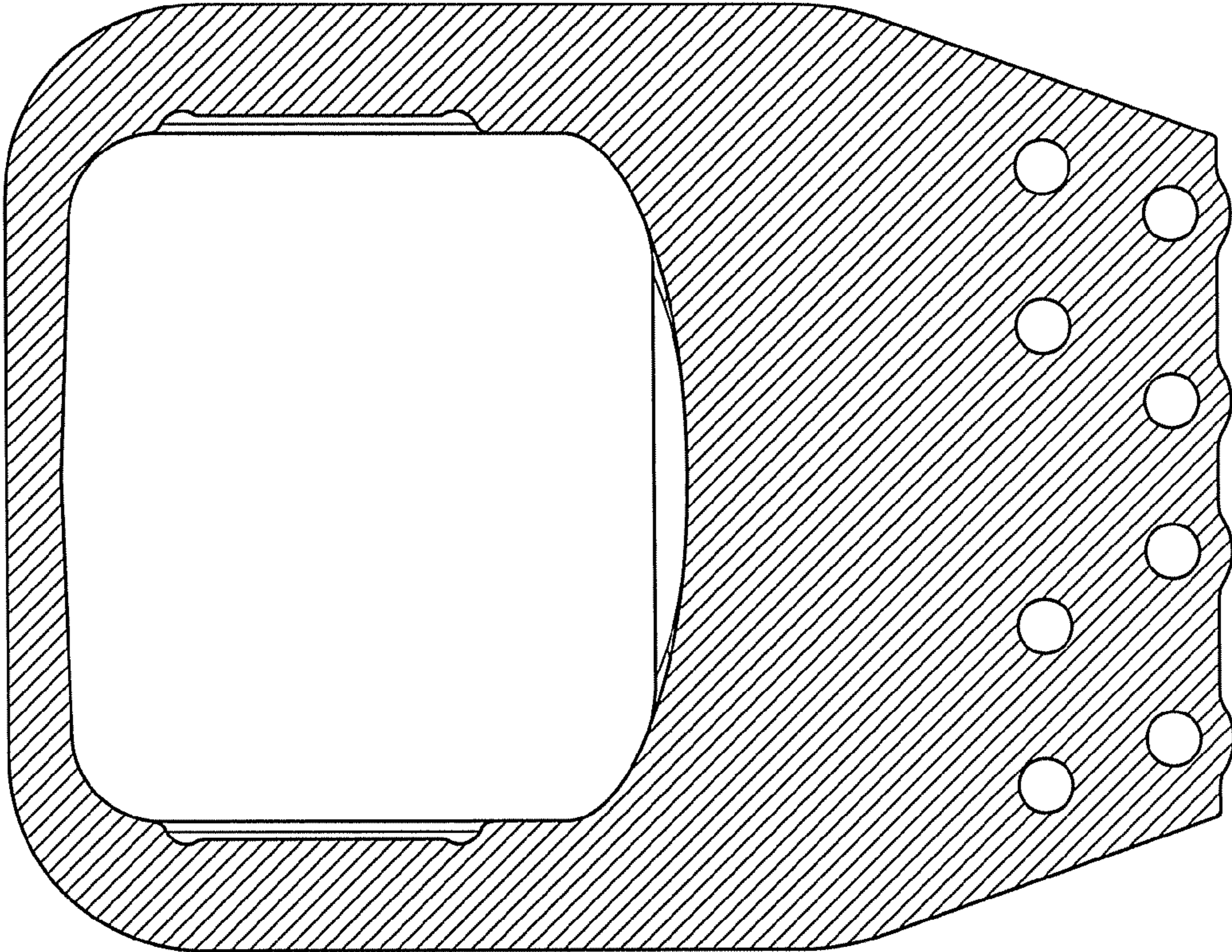


FIG. 13

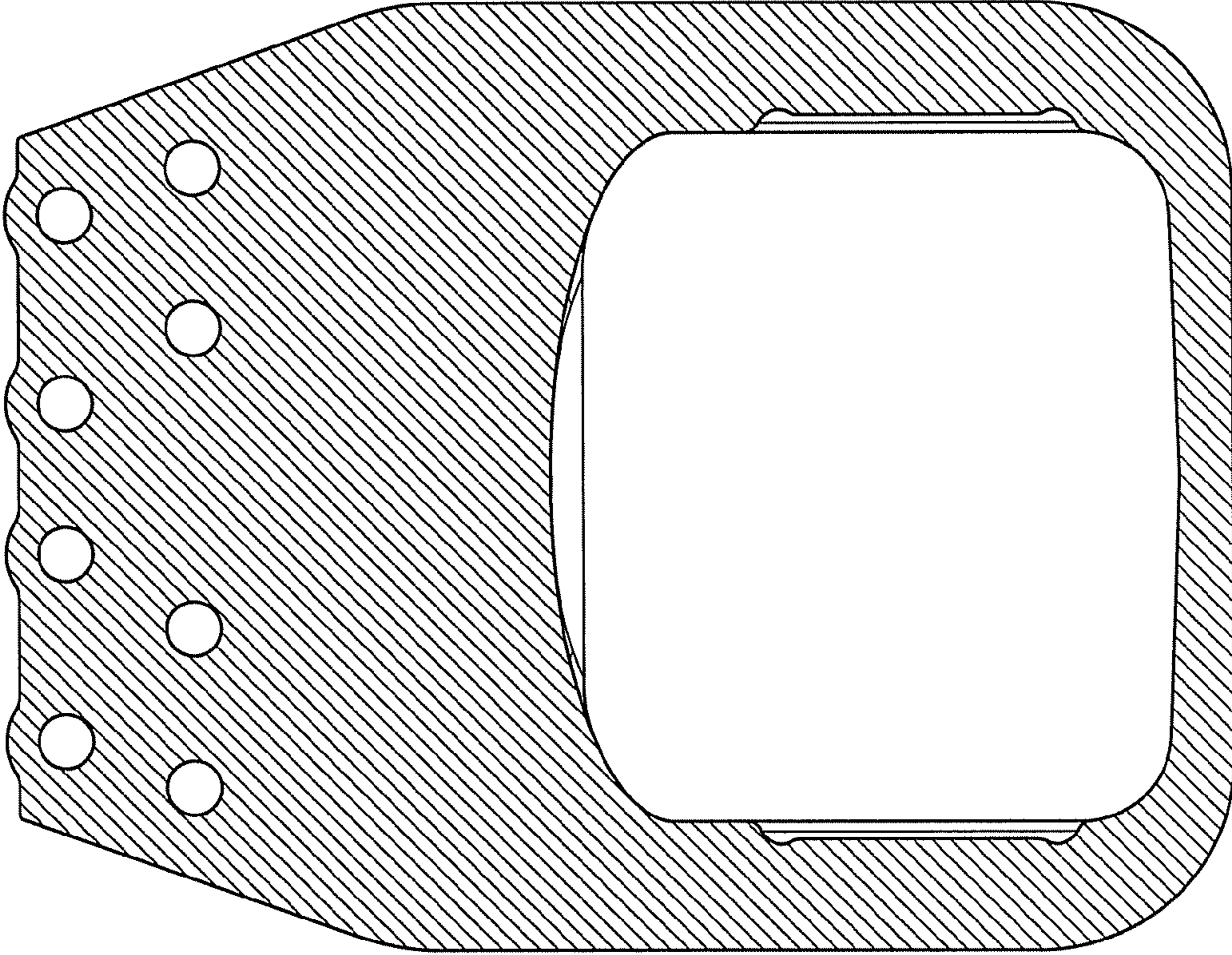


FIG. 14