



US00D624459S

(12) **United States Design Patent**
Jacobs et al.

(10) **Patent No.:** **US D624,459 S**
(45) **Date of Patent:** **** Sep. 28, 2010**

(54) **TRANSPORT WHEELCHAIR**

(75) Inventors: **David P. Jacobs**, Highland Park, IL (US); **Ishwor P. Adhikari**, Mundelein, IL (US); **Richard P. Derks**, Hawthorn Woods, IL (US)

(73) Assignee: **Medline Industries, Inc.**, Mundelein, IL (US)

(**) Term: **14 Years**

(21) Appl. No.: **29/345,366**

(22) Filed: **Oct. 14, 2009**

Related U.S. Application Data

(63) Continuation-in-part of application No. 11/594,676, filed on Nov. 8, 2006, now abandoned.

(51) **LOC (9) Cl.** **12-12**

(52) **U.S. Cl.** **D12/131**

(58) **Field of Classification Search** D12/128-133;
280/62, 647-650, 29, 200, 47.38, 250.1,
280/259, 642, 658; 297/DIG. 4; 296/65.03,
296/65.04; 224/209; 414/921; 135/65-67,
135/74

See application file for complete search history.

(56) **References Cited**

U.S. PATENT DOCUMENTS

4,082,348 A	4/1978	Haury	297/45
4,326,732 A	4/1982	Gall et al.	280/642
4,639,012 A *	1/1987	Jensen	280/642
4,676,519 A	6/1987	Meier	280/242
4,682,783 A	7/1987	Küschall	280/242
4,861,056 A	8/1989	Duffy, Jr. et al.	280/250.1
5,141,250 A *	8/1992	Morgan et al.	280/250.1
5,154,438 A	10/1992	Barclay	280/250.1
5,186,480 A	2/1993	Morgan et al.	280/250.1
5,188,383 A *	2/1993	Thompson	280/250.1
5,224,731 A *	7/1993	Johnson	280/648
5,253,888 A *	10/1993	Friedrich	280/250.1
5,328,183 A	7/1994	Counts	280/42

5,340,140 A *	8/1994	Bynum	280/304.1
5,360,224 A	11/1994	Geiger et al.	280/250.1
5,558,358 A *	9/1996	Johnson	280/648
5,560,627 A *	10/1996	Zatulovsky et al.	280/42
5,857,688 A	1/1999	Swearingen	280/250.1
5,865,457 A *	2/1999	Knabusch et al.	280/304.1

(Continued)

FOREIGN PATENT DOCUMENTS

EP 1 466 574 A1 10/2004

(Continued)

OTHER PUBLICATIONS

Nova Ortho-Med, Inc. brochure entitled "Transport Chairs, Built for Life" Woodridge, Illinois 60517 (8 pages) (Dated at least as early as Nov. 7, 2006).

(Continued)

Primary Examiner—Ian Simmons
Assistant Examiner—Charles D Hanson
(74) *Attorney, Agent, or Firm*—Nixon Peabody LLP

(57) **CLAIM**

The ornamental design for a transport wheelchair, as shown and described.

DESCRIPTION

FIG. 1 is a perspective view of a transport wheelchair showing our new design;

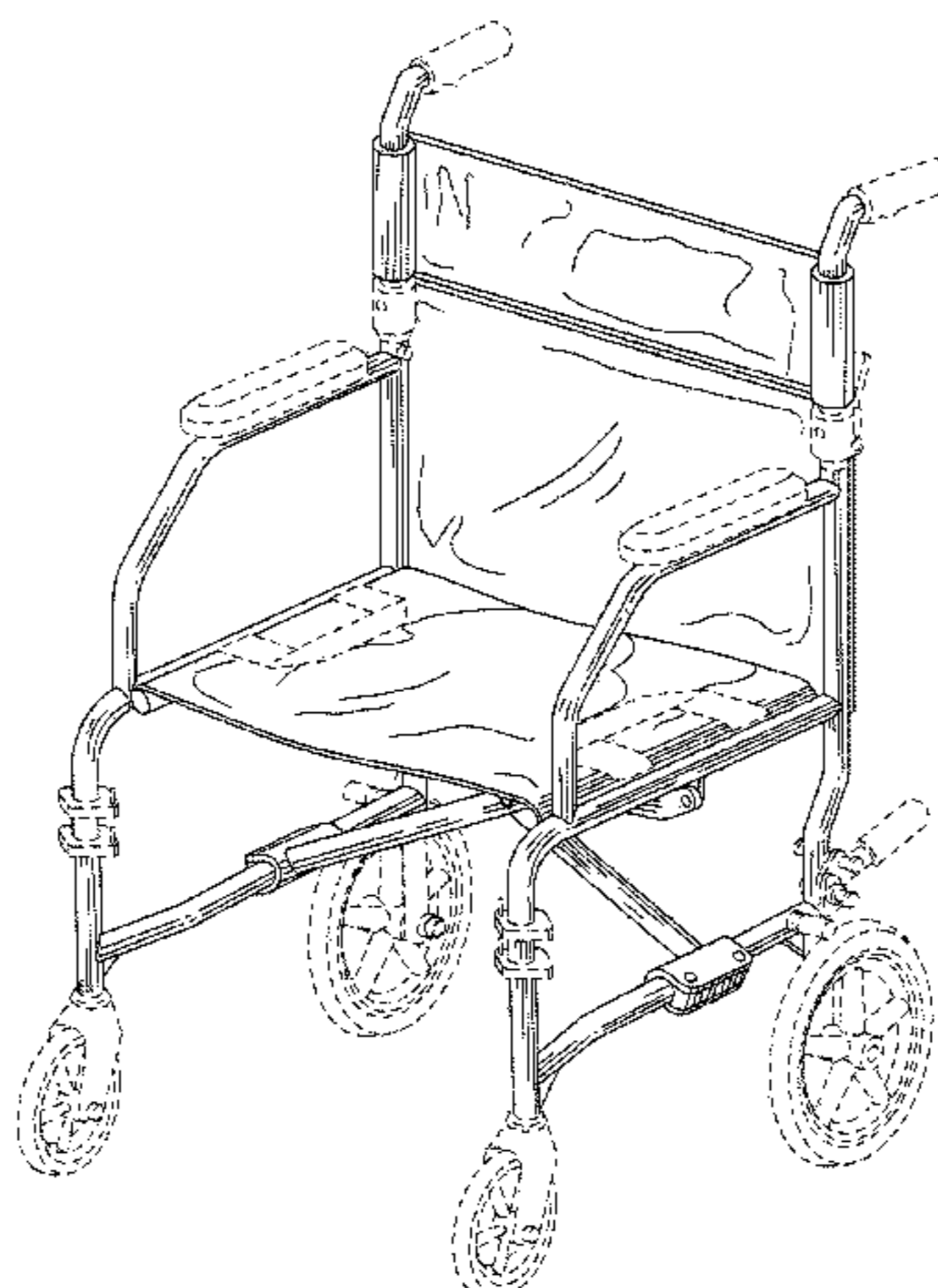
FIG. 2 is a front view thereof;

FIG. 3 is a side view thereof; and,

FIG. 4 is a top view thereof.

The Broken lines shown are included to the purpose of illustrating environmental elements and form no part of the claimed design.

1 Claim, 4 Drawing Sheets



U.S. PATENT DOCUMENTS

5,957,474	A	9/1999	Mundy et al.	280/304.1
6,536,791	B1	3/2003	Adams	280/250.1
7,052,023	B2 *	5/2006	Chen et al.	280/47.38
7,077,422	B2	7/2006	Haury et al.	280/647
7,384,058	B2	6/2008	Munsey et al.	280/642
7,537,237	B2 *	5/2009	Chung et al.	280/647
2004/0118640	A1	6/2004	Hallgrimsson	188/2
2004/0155434	A1	8/2004	Haury et al.	280/647
2004/0245737	A1	12/2004	Hallgrimsson et al. ...	280/87.01
2005/0211285	A1	9/2005	Cowie et al.	135/74
2007/0018426	A1	1/2007	Willis	280/304.1

FOREIGN PATENT DOCUMENTS

EP 1 557 147 B1 10/2008

OTHER PUBLICATIONS

WHEELCHAIRINABAG.Com brochure, Augusta, Georgia 30909 (4 pages) (Printed on Oct. 3, 2006 from www.wheelchairinabag.com website).
 Fold 'N Away Transport Chair (1 page) (Printed on Aug. 9, 2006 from www.homecaredelivered.com website).

Photographs of Invacare "Fold 'N Away Transport Chair" (3 pages) (Dated at least as early as Nov. 7, 2006).
 Guardian Easy Care™ 1000 Transport Wheelchair (3 pages) (Printed on Sep. 19, 2006 from www.sunrisemedical.com website).
 Guardian Wheelchairs, Sunrise Medical, Longmont, CO 80503, Sunrise Medical Inc. 479622 Rev. E (6 pages) (Dated at least as early as Nov. 7, 2006).
 Invacare Product Catalog—Crossfire T6—Printable (5 pages) (Printed on Sep. 19, 2006 from www.invacare.com website).
 Invacare Top End Terminator Series Wheelchairs (2 pages) (Dated at least as early as Nov. 7, 2006).
 Invacare Product Catalog—Top End—Terminator Titanium—Printable (3 pages) (Printed on Sep. 19, 2006 from www.invacare.com website).
 Abledata: Products (3 pages) (Printed on Sep. 21, 2006 from www.abledata.com website).
 Quickie® GTX™ (2 pages) (Dated at least as early as Nov. 7, 2006 from www.sunrisemedical.com website).
 Quickie 2, Sunrise Medical, Longmont, CO 80503, Sunrise Medical 932078 Rev. A (2 pages) (Dated at least as early as Nov. 7, 2006).
 Invacare Product Catalog—Top End Crossfire Titanium—Printable (3 pages) (Printed on Sep. 19, 2006 from www.invacare.com website).

* cited by examiner

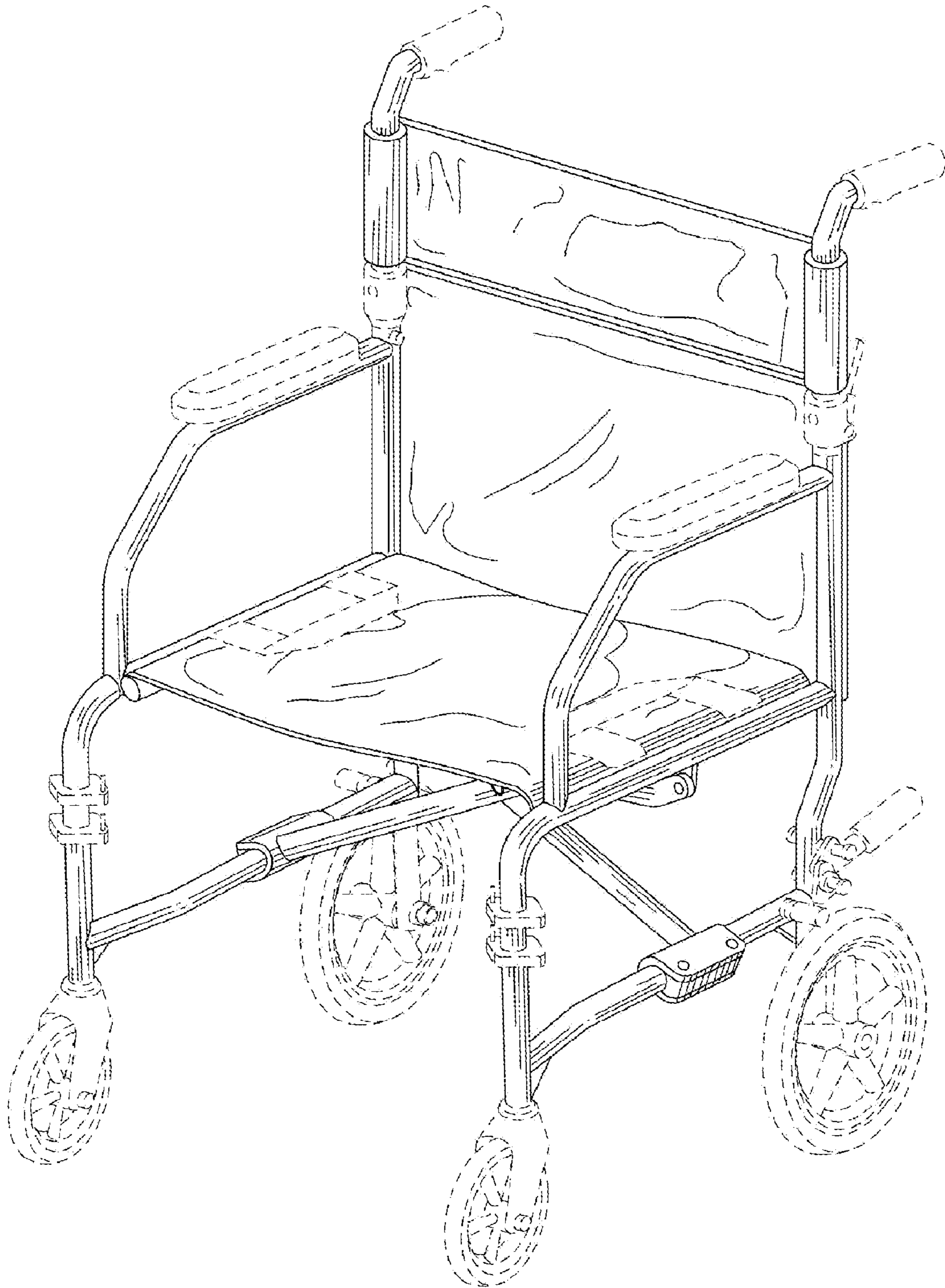


FIG. 1

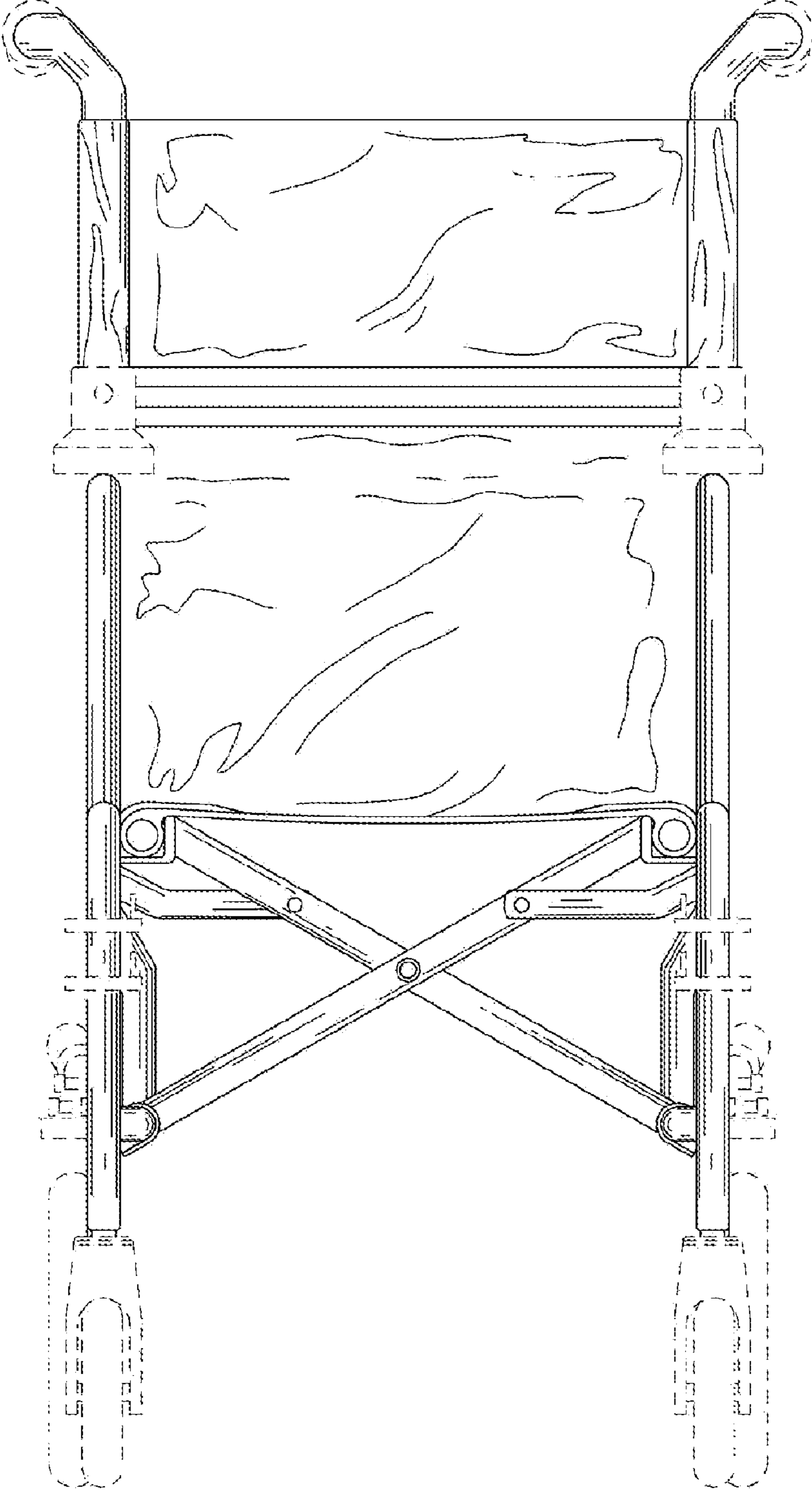


FIG. 2

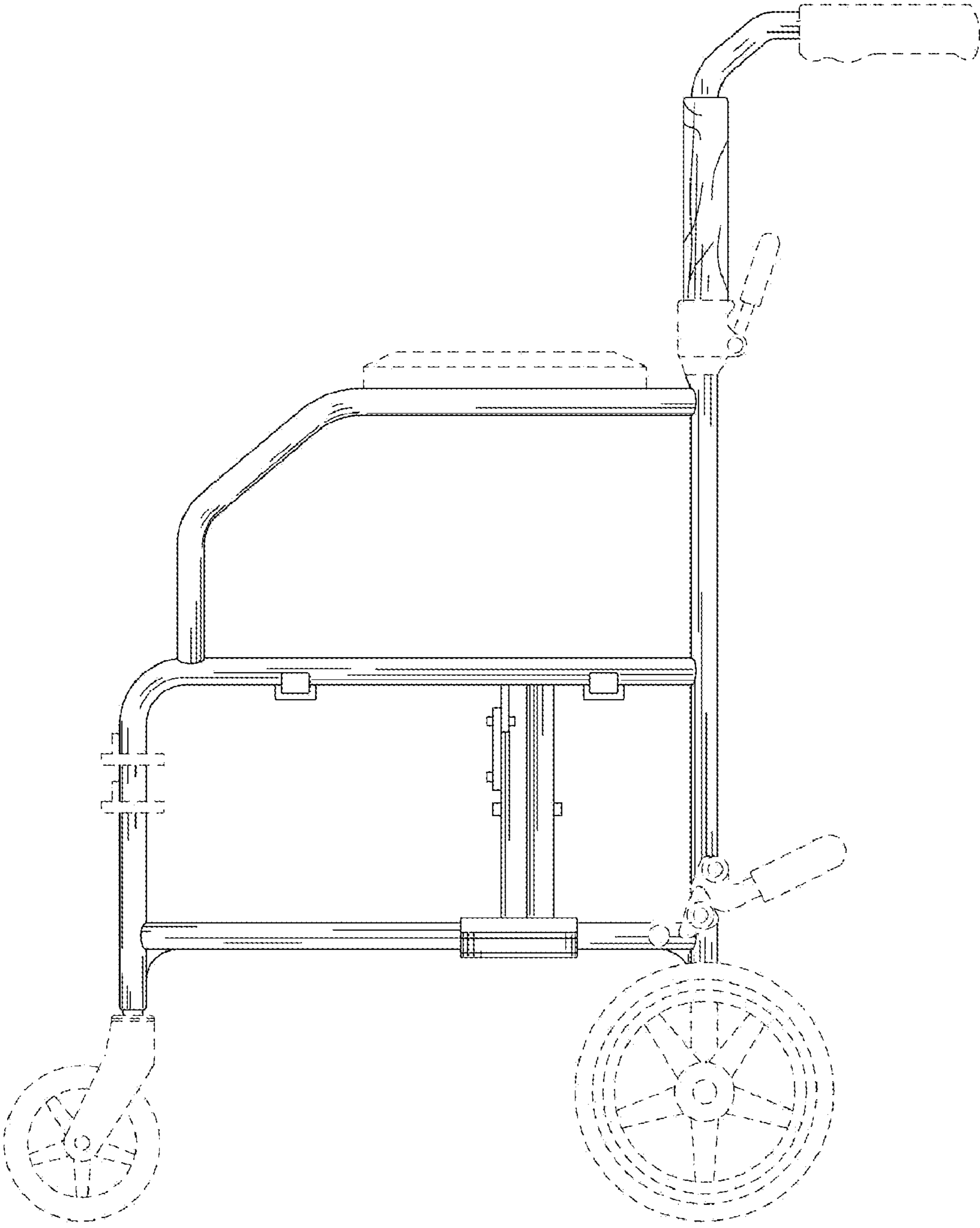


FIG. 3

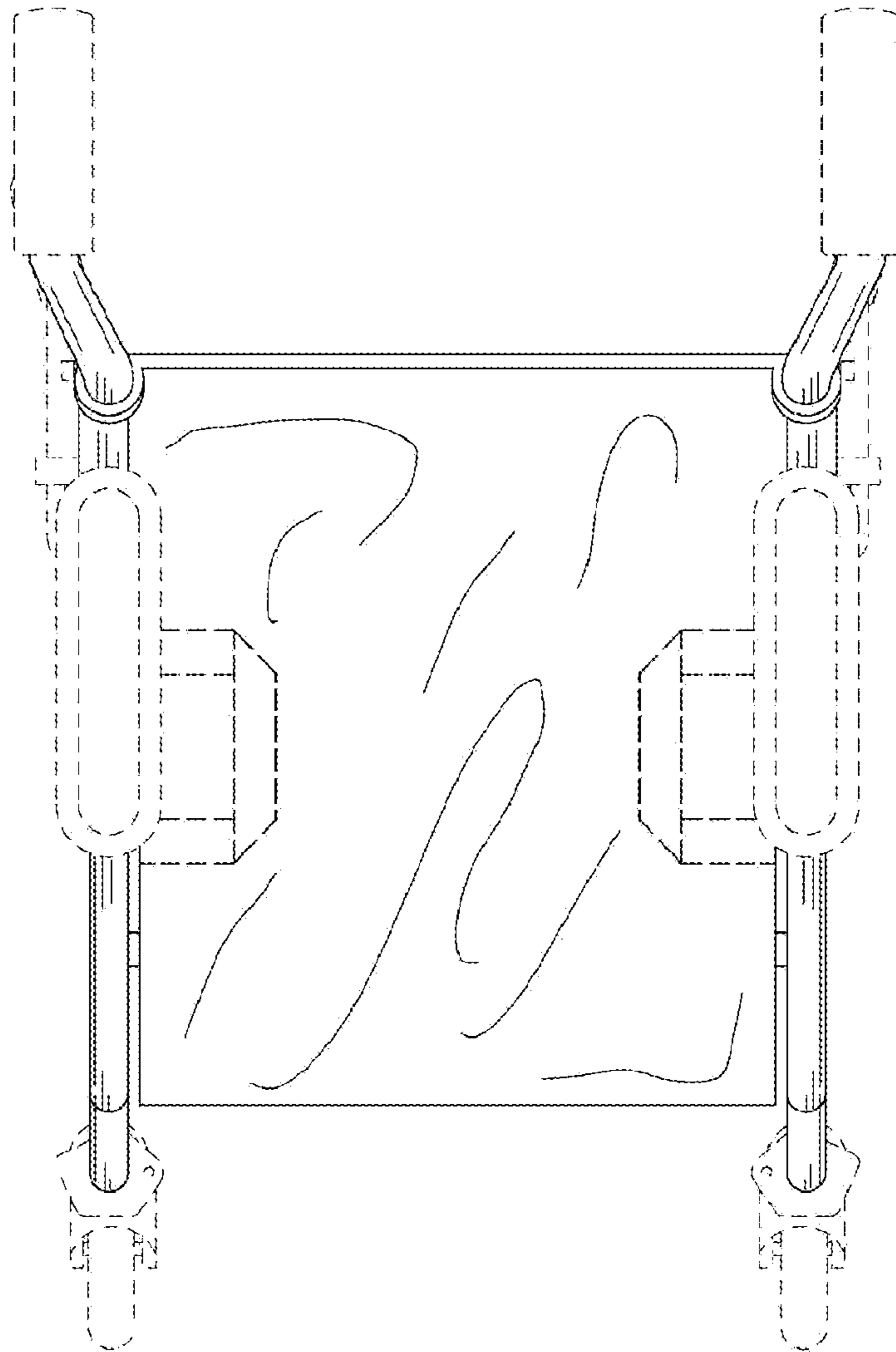


FIG. 4