



US00D624455S

(12) **United States Design Patent**
Kelley

(10) **Patent No.:** **US D624,455 S**
(45) **Date of Patent:** **** Sep. 28, 2010**

(54) **RESILIENT FLEXIBLE PULL-TAB**

(76) Inventor: **Bridget Kelley**, 3975 Starr Rd.,
Harrison, MI (US) 48625

(**) Term: **14 Years**

(21) Appl. No.: **29/343,666**

(22) Filed: **Sep. 17, 2009**

(51) **LOC (9) Cl.** **02-07**

(52) **U.S. Cl.** **D11/200**

(58) **Field of Classification Search** D11/1-2,
D11/200-201, 206-210, 214-218, 86; 24/163 R,
24/169-171, 173, 177-179, 191, 194-195,
24/197, 200; D3/206, 207, 303, 318, 232;
D2/639, 641; D20/22, 43

See application file for complete search history.

(56) **References Cited**

U.S. PATENT DOCUMENTS

4,967,056	A *	10/1990	Iwasa	219/203
D438,373	S *	3/2001	Riley	D3/207
D469,032	S *	1/2003	Francis	D11/86
D522,750	S *	6/2006	Girod	D3/303
D532,049	S *	11/2006	Ludlow	D20/22
2004/0069661	A1	4/2004	Telleen		
2006/0204315	A1	9/2006	Regala		

OTHER PUBLICATIONS

- <http://www.I-selcompanies.com/index5.htm>.
- <http://mocoloco.com/archives/003192.php>.
- <http://www.phing.com/listing/188447-Belkin-pull-tab-sleeve-for-Iphone-3G-3-GS-for-sale>.
- <http://www.meritline.com/images/product/medium/262-404.jpg>.
- http://the-gadgeteer.com/asset_cache/i/in/incipio-iphone-4.jpg.
- http://www.bobsleathercraft.com/images/B1010_A_front.jpg.

- <http://www.absorbentprinting.com/images/products/hires/pid10028-pull-tab-cardholder-lg.jpg>.
- <http://www.don-tech.com/photo/200810110144.jpg>.
- http://www.gentec-intl.com/Default.asp?mode=prd&div_id=&prod_id=PWLIFTGN.

* cited by examiner

Primary Examiner—Ralf Seifert
(74) *Attorney, Agent, or Firm*—McPherson IP Law Office, PLLC

(57) **CLAIM**

The ornamental design for a resilient flexible pull-tab, as shown and described.

DESCRIPTION

FIG. 1 is a perspective view of a pull-tab according to an exemplary embodiment of the present invention;

FIG. 2 is a side elevational view of the pull-tab shown in FIG. 1, wherein an opposing side elevational view of the pull-tab is substantially identical;

FIG. 3 is a top elevational view of the pull-tab shown in FIG. 1, wherein a bottom elevational view of the pull-tab is substantially identical;

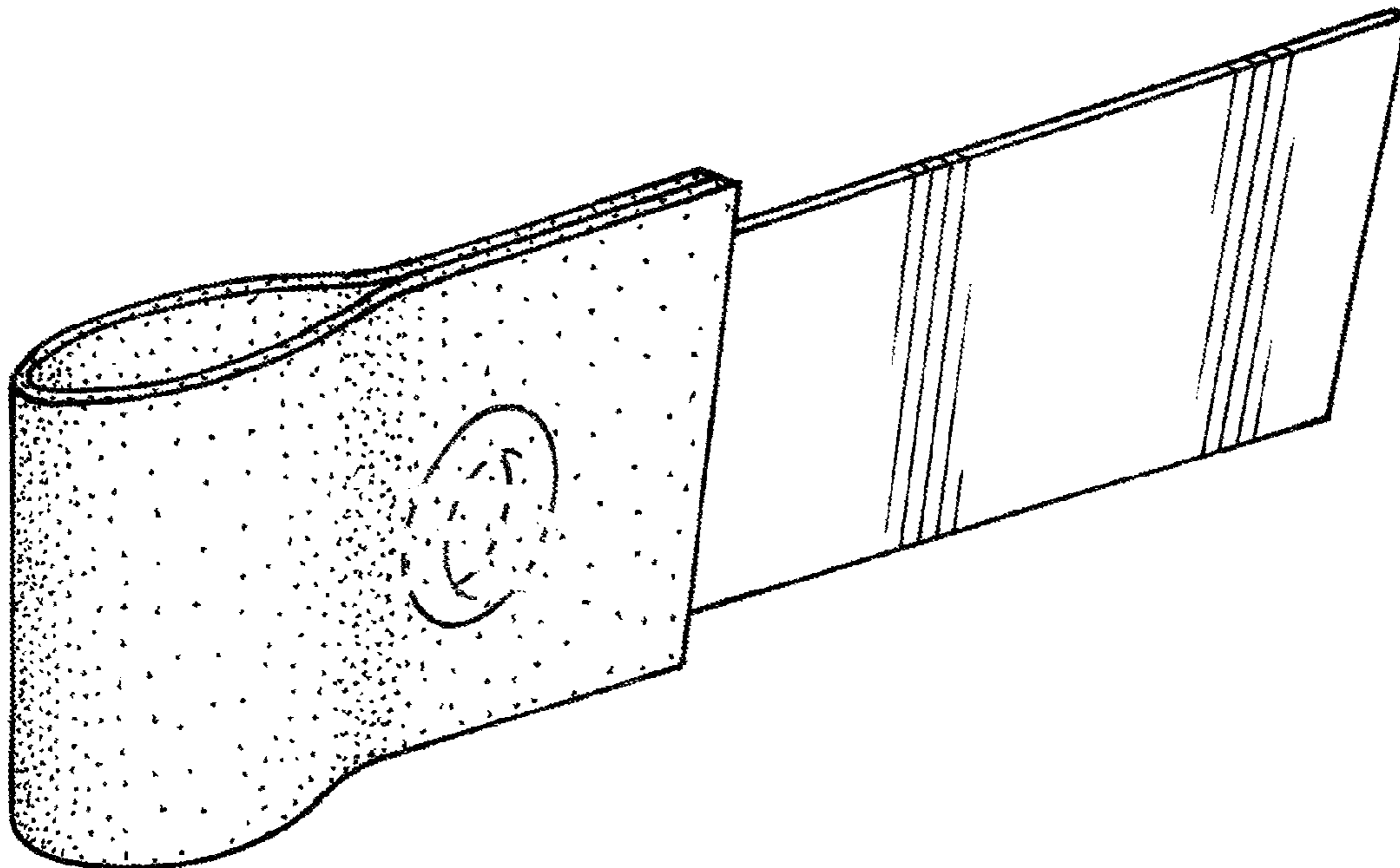
FIG. 4 is a front elevational view of the pull-tab shown in FIG. 1;

FIG. 5 is a rear elevational view of the pull-tab shown in FIG. 1; and,

FIG. 6 is a perspective view of an alternate pull-tab according to another exemplary embodiment of the present invention.

The broken lines depicting portions of the resilient flexible pull-tab are for the purpose of illustrating environment and form no part of the claimed design.

1 Claim, 3 Drawing Sheets



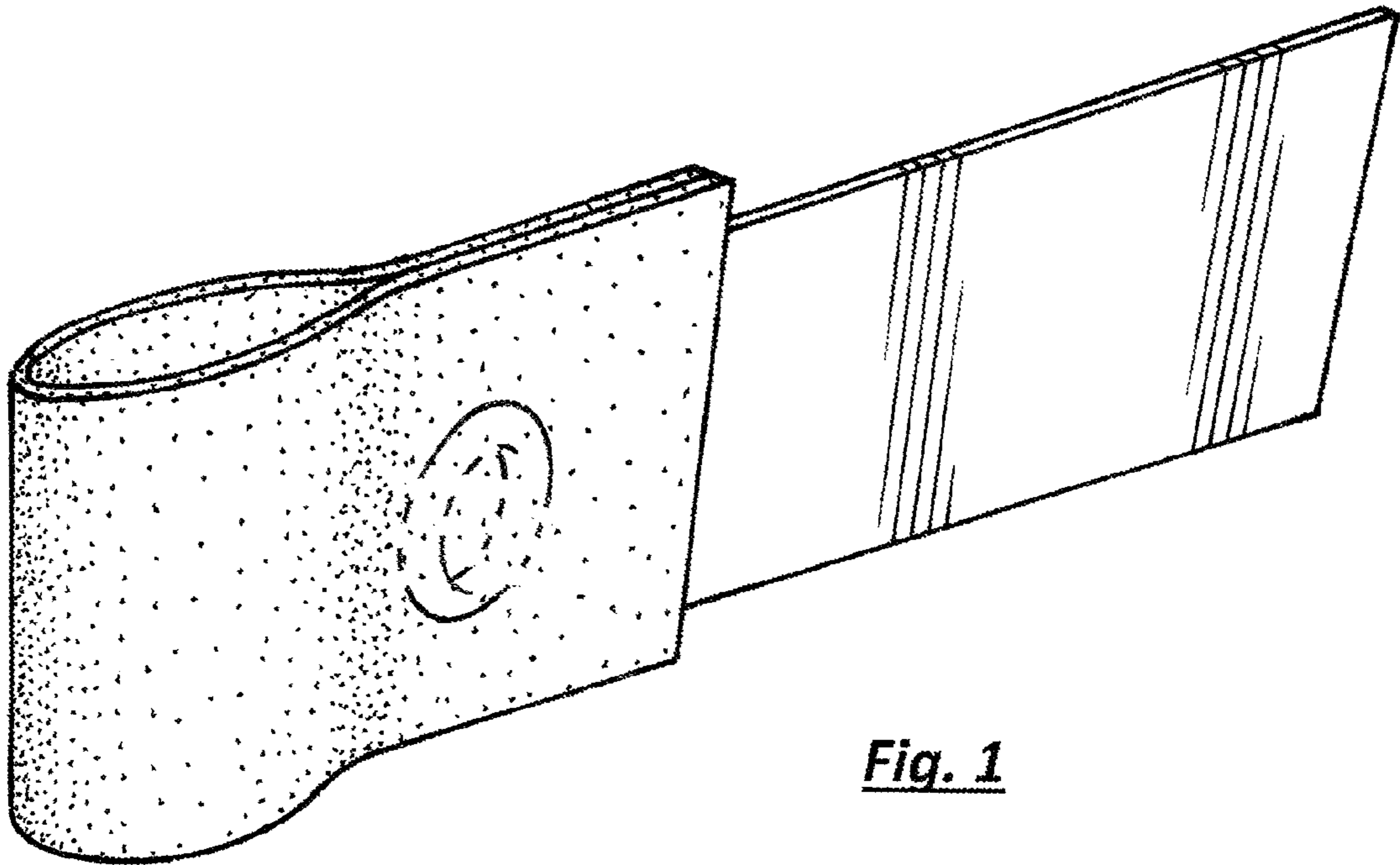


Fig. 1

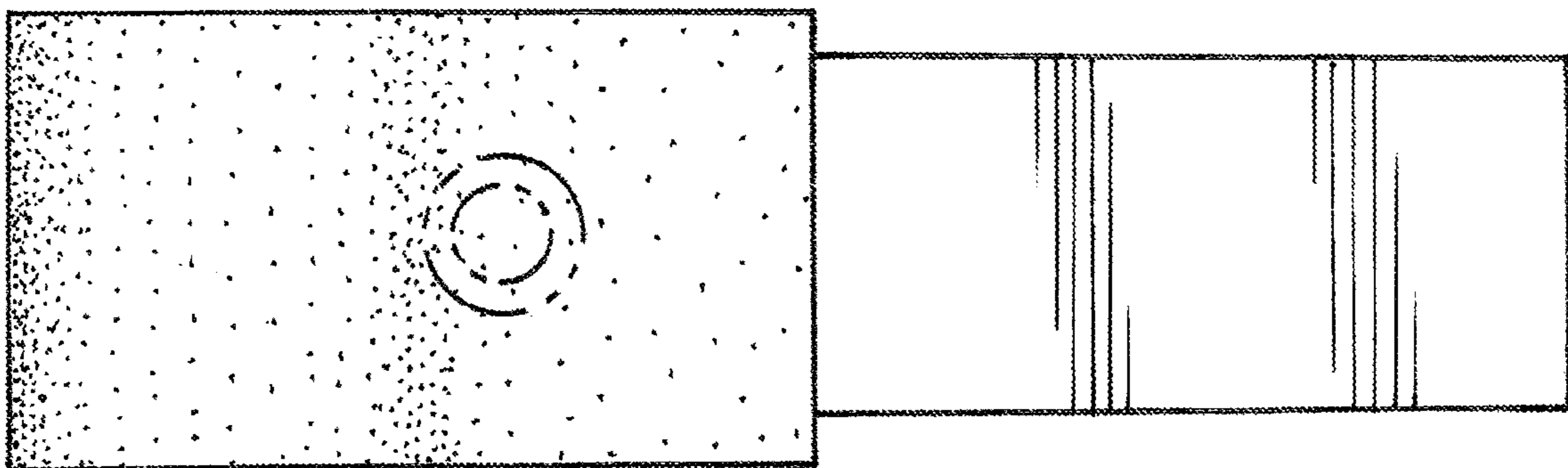


Fig. 2

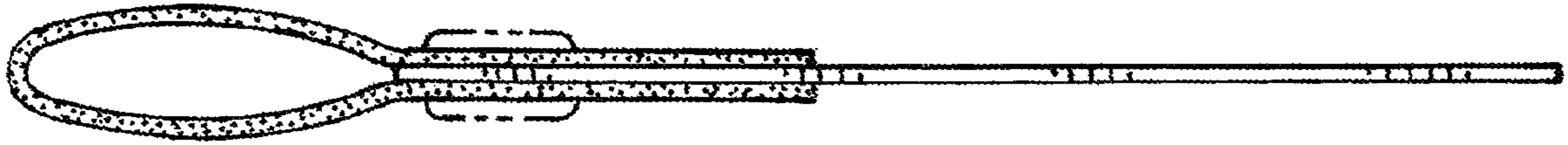


Fig. 3

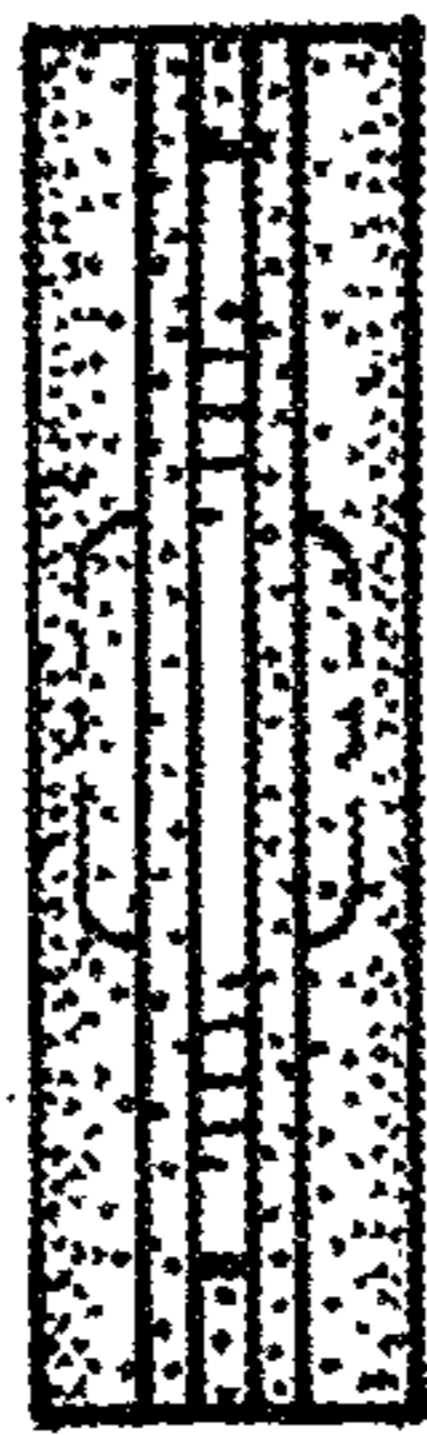


Fig. 4

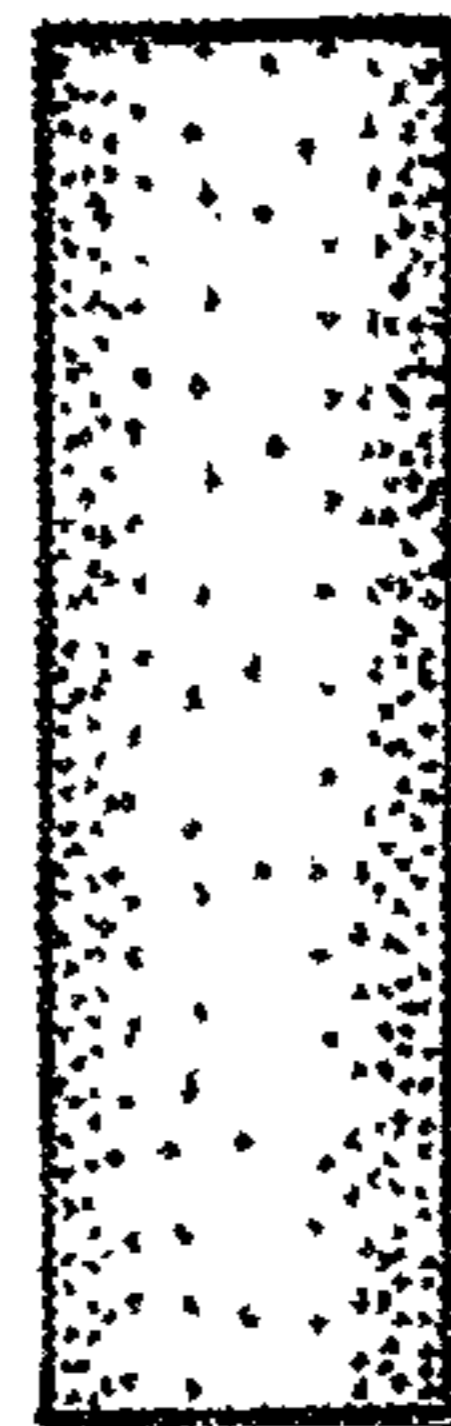


Fig. 5

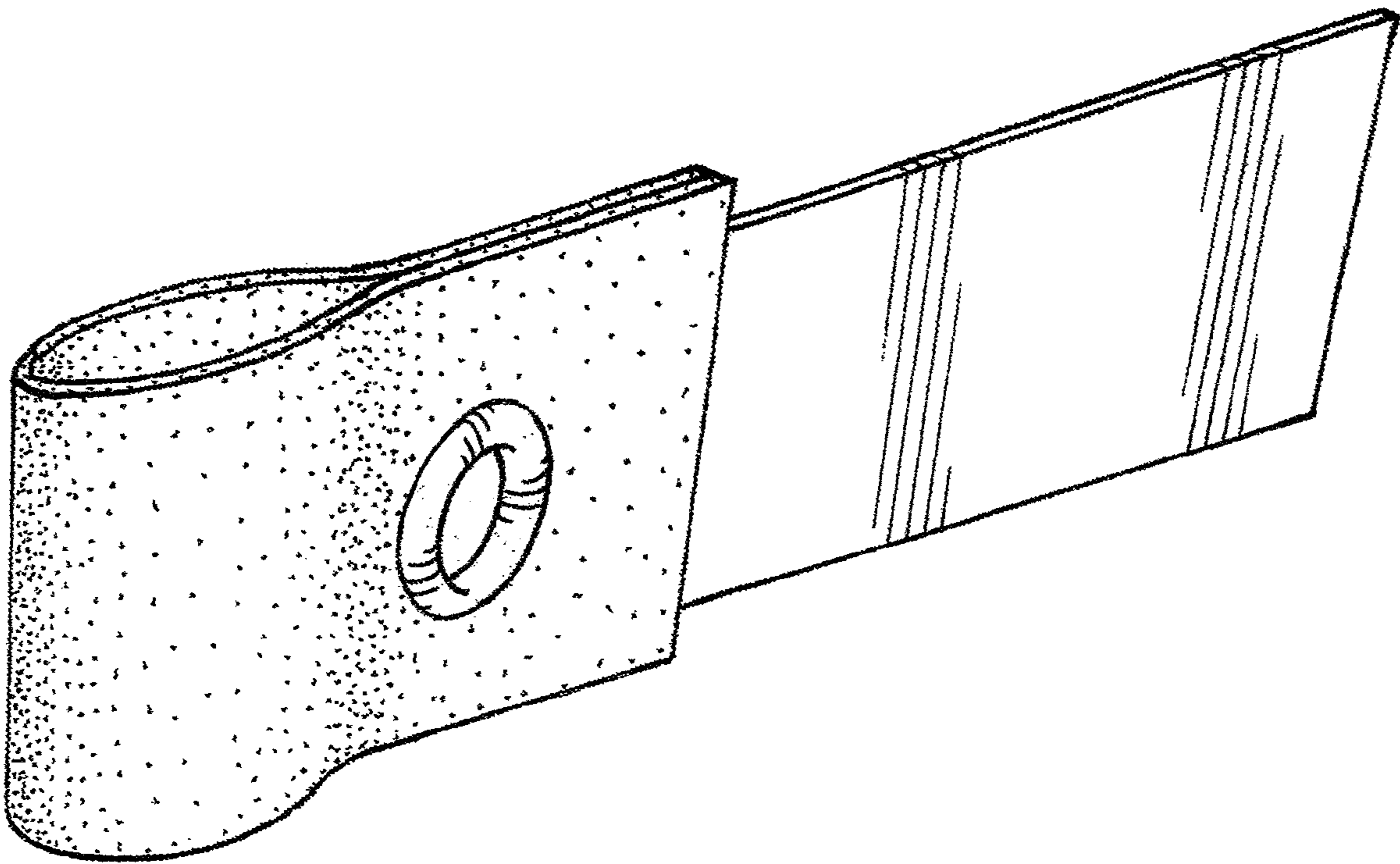


Fig. 6