



US00D624454S

(12) **United States Design Patent**
Kertz

(10) **Patent No.:** **US D624,454 S**

(45) **Date of Patent:** **** Sep. 28, 2010**

(54) **PLANT ACCLIMATIZING DOME**

(76) **Inventor:** **Malcolm Glen Kertz**, 401 W. Vinton Rd., Anthony, TX (US) 79821

(**) **Term:** **14 Years**

(21) **Appl. No.:** **29/338,577**

(22) **Filed:** **Jun. 15, 2009**

Related U.S. Application Data

(62) Division of application No. 29/321,473, filed on Jul. 17, 2008, now Pat. No. Des. 596,527.

(51) **LOC (9) Cl.** **11-02**

(52) **U.S. Cl.** **D11/145**

(58) **Field of Classification Search** D6/556-558; D8/1; D11/143-156; D19/77, 81; D26/9-11; D34/1, 2, 4-6; D99/5, 19; 47/32.4, 32.5, 47/32.7, 33, 41.01, 41.1, 41.11-41.15, 44-47, 47/65, 65.5, 65.9, 68-71

See application file for complete search history.

(56) **References Cited**

U.S. PATENT DOCUMENTS

D237,431 S * 11/1975 Dean D6/472
D239,128 S * 3/1976 Malkin D8/1

D316,382 S * 4/1991 Lorenzana et al. D11/164
D418,996 S * 1/2000 Burner D6/403
D445,064 S * 7/2001 Han D11/152
D537,753 S * 3/2007 Belokin D11/145
D553,687 S * 10/2007 Huang D19/84
D596,527 S * 7/2009 Kertz D11/145

* cited by examiner

Primary Examiner—Garth Rademaker

(74) *Attorney, Agent, or Firm*—Conley Rose, P.C.

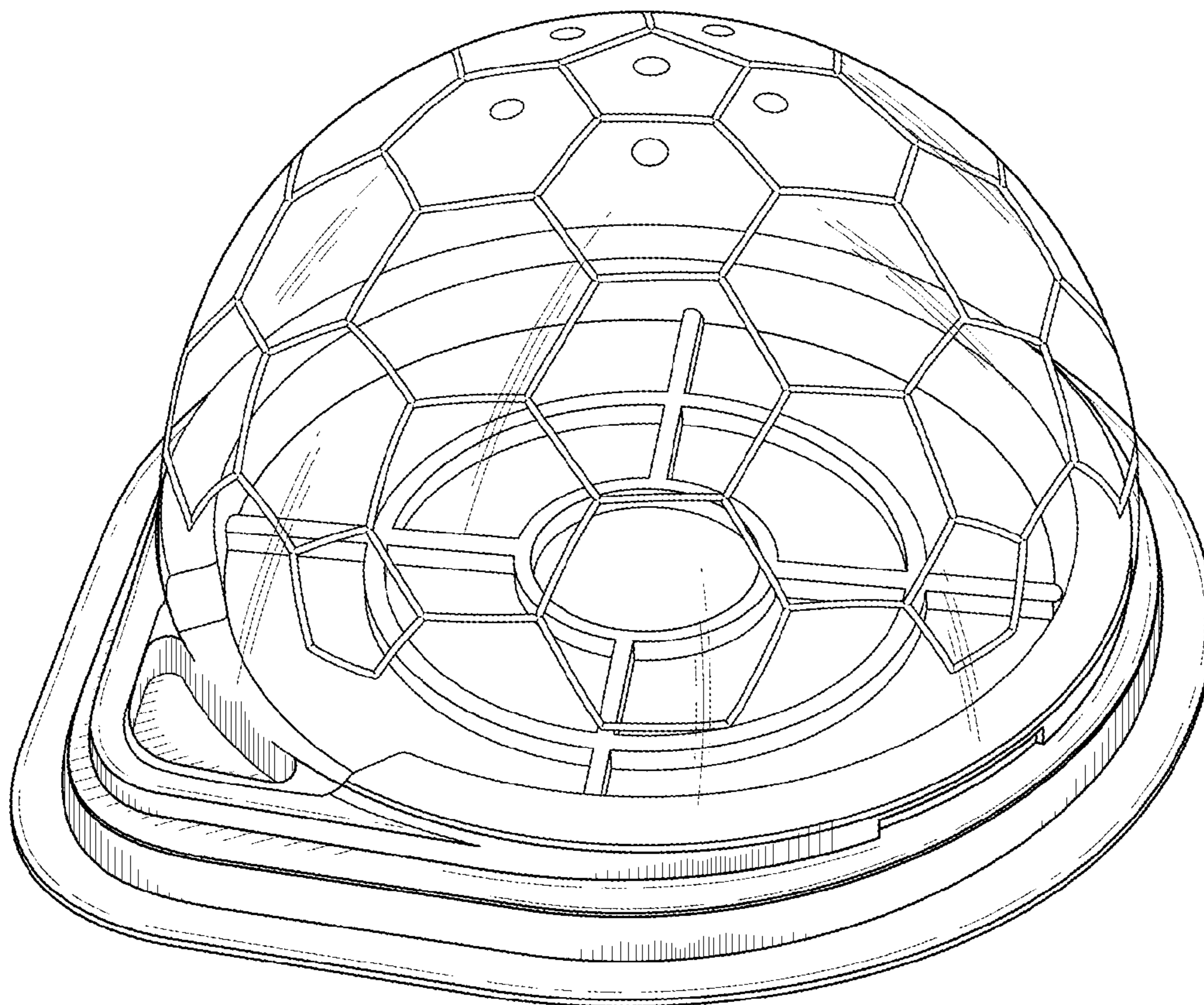
(57) **CLAIM**

The ornamental design for a plant acclimatizing dome, as shown and described.

DESCRIPTION

FIG. 1 is a perspective view of a plant acclimatizing dome; FIG. 2 is a left side elevation view thereof; FIG. 3 is a right side elevation view thereof; FIG. 4 is a front side elevation view thereof; FIG. 5 is a back side elevation view thereof; FIG. 6 is a top plan view of thereof; and, FIG. 7 is a top plan view thereof, showing only the bottom portion of the design, for ease of disclosure.

1 Claim, 4 Drawing Sheets



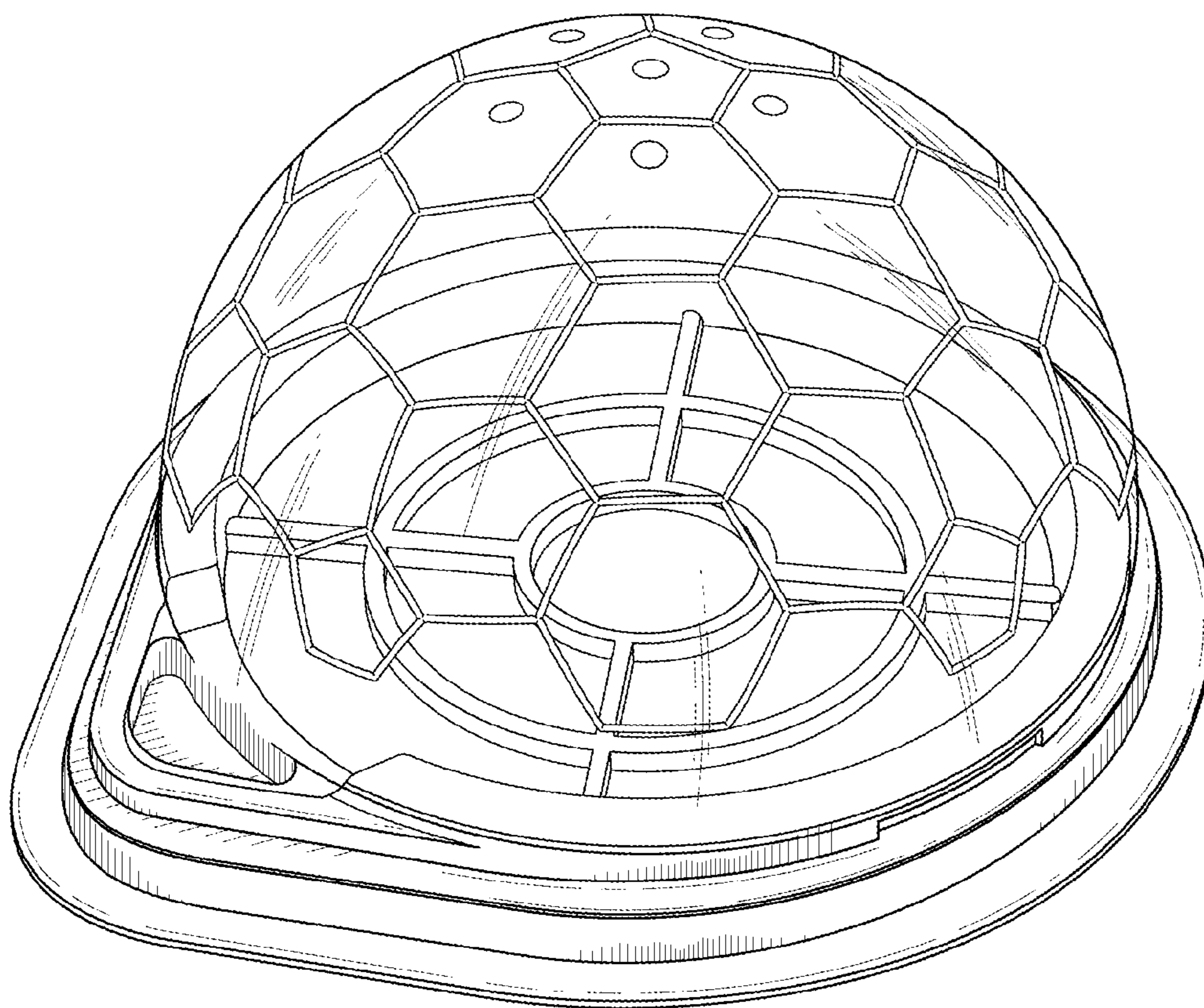


FIG. 1

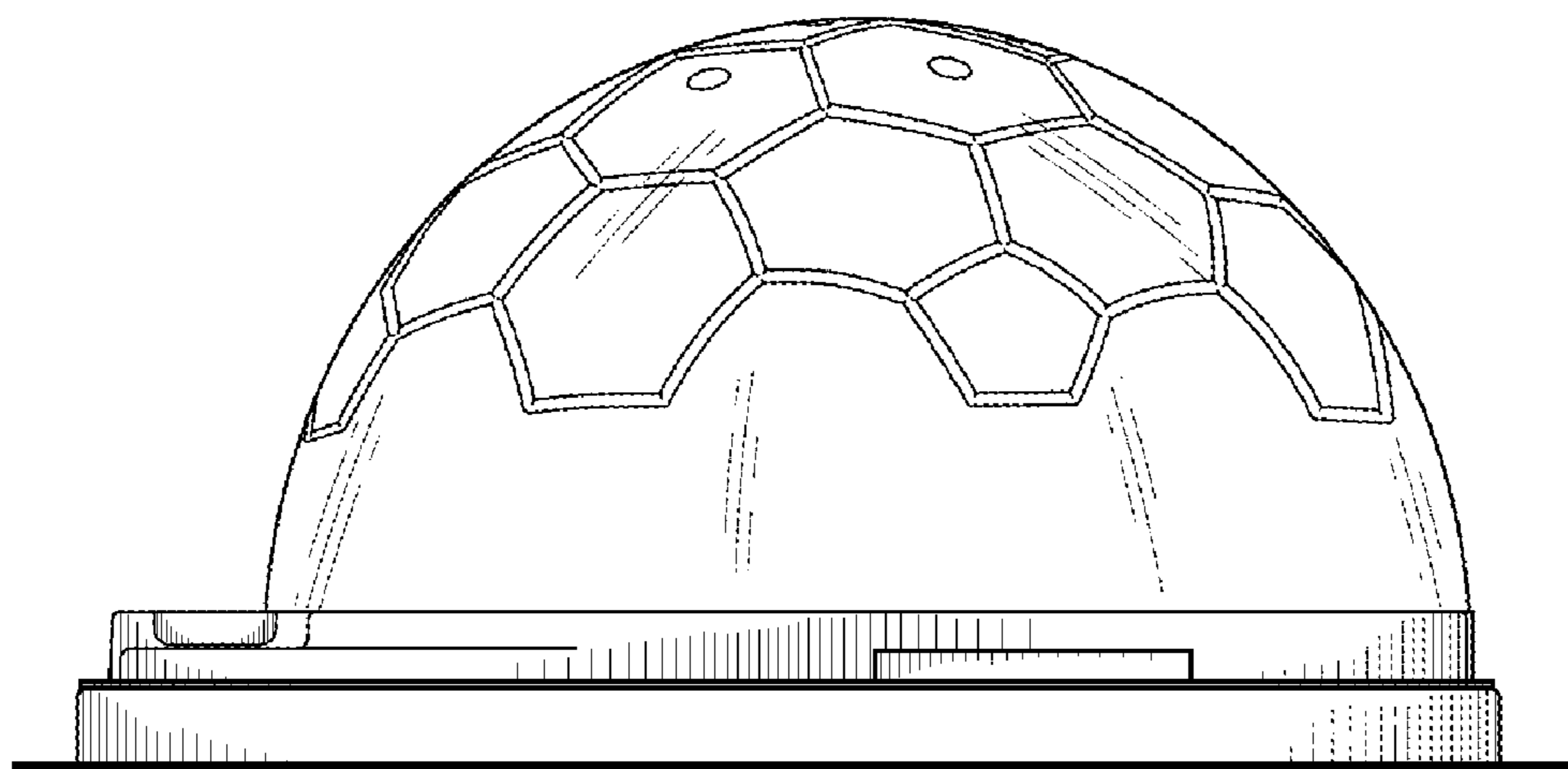


FIG. 2

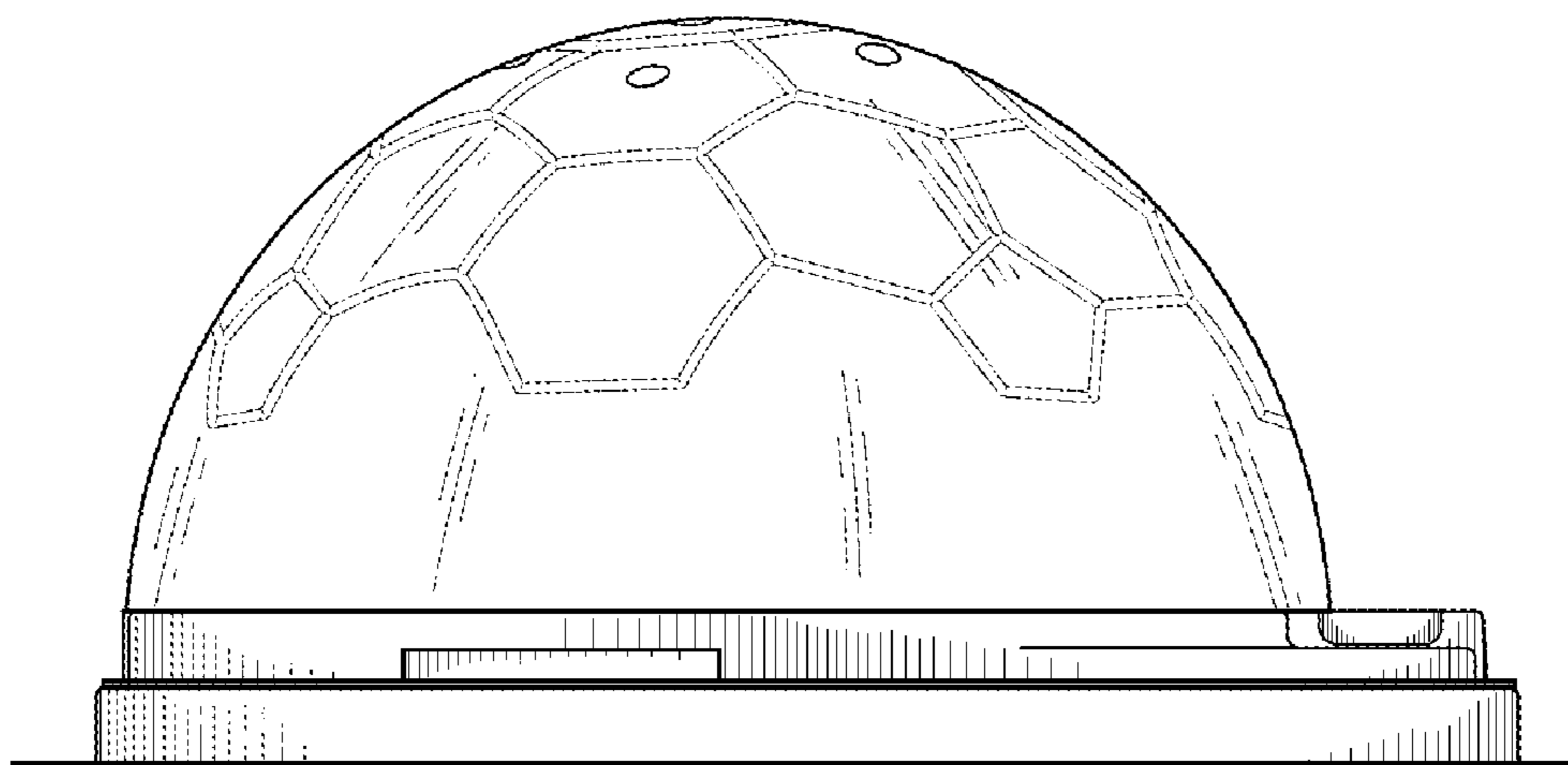


FIG. 3

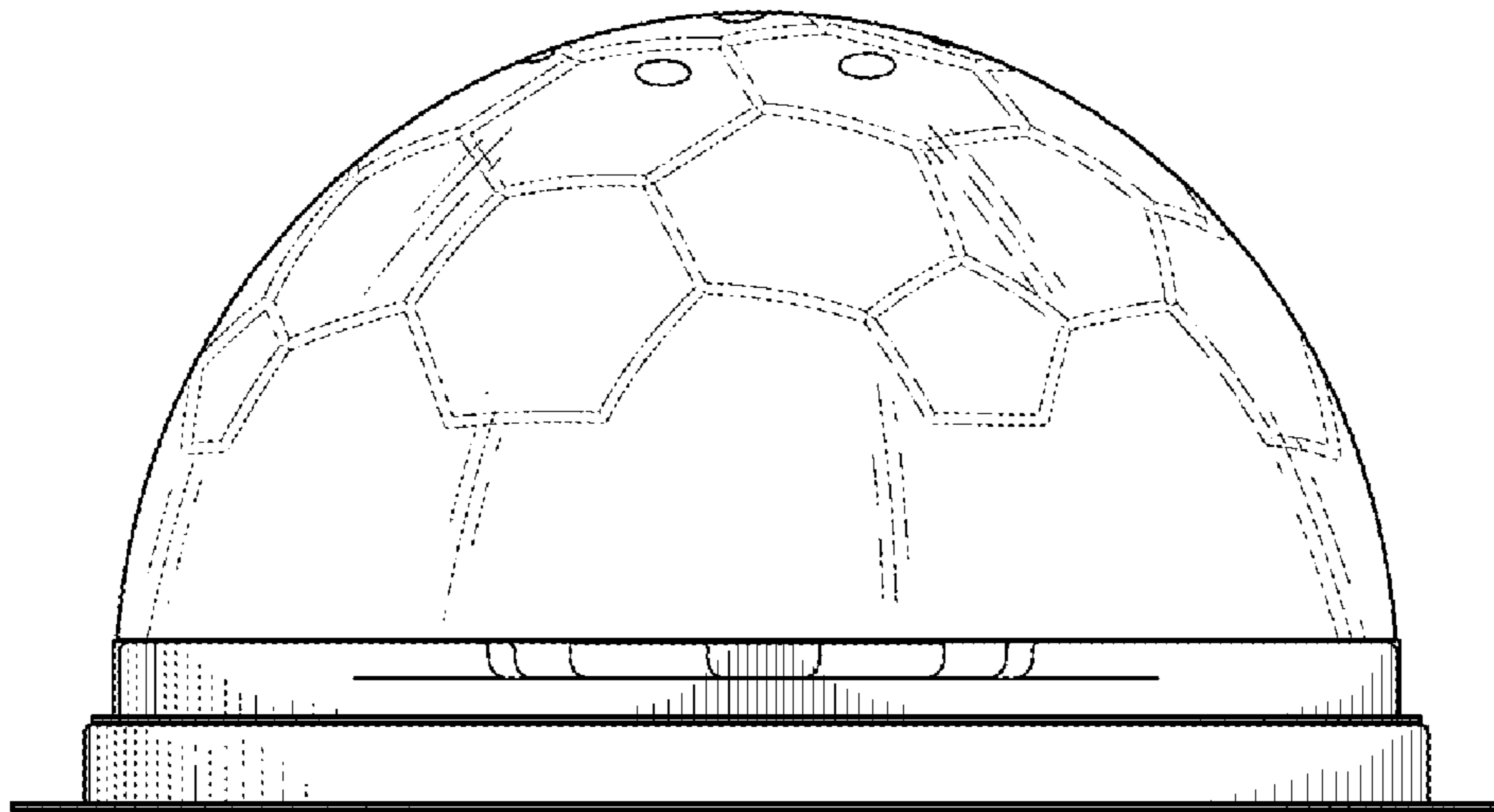


FIG. 4

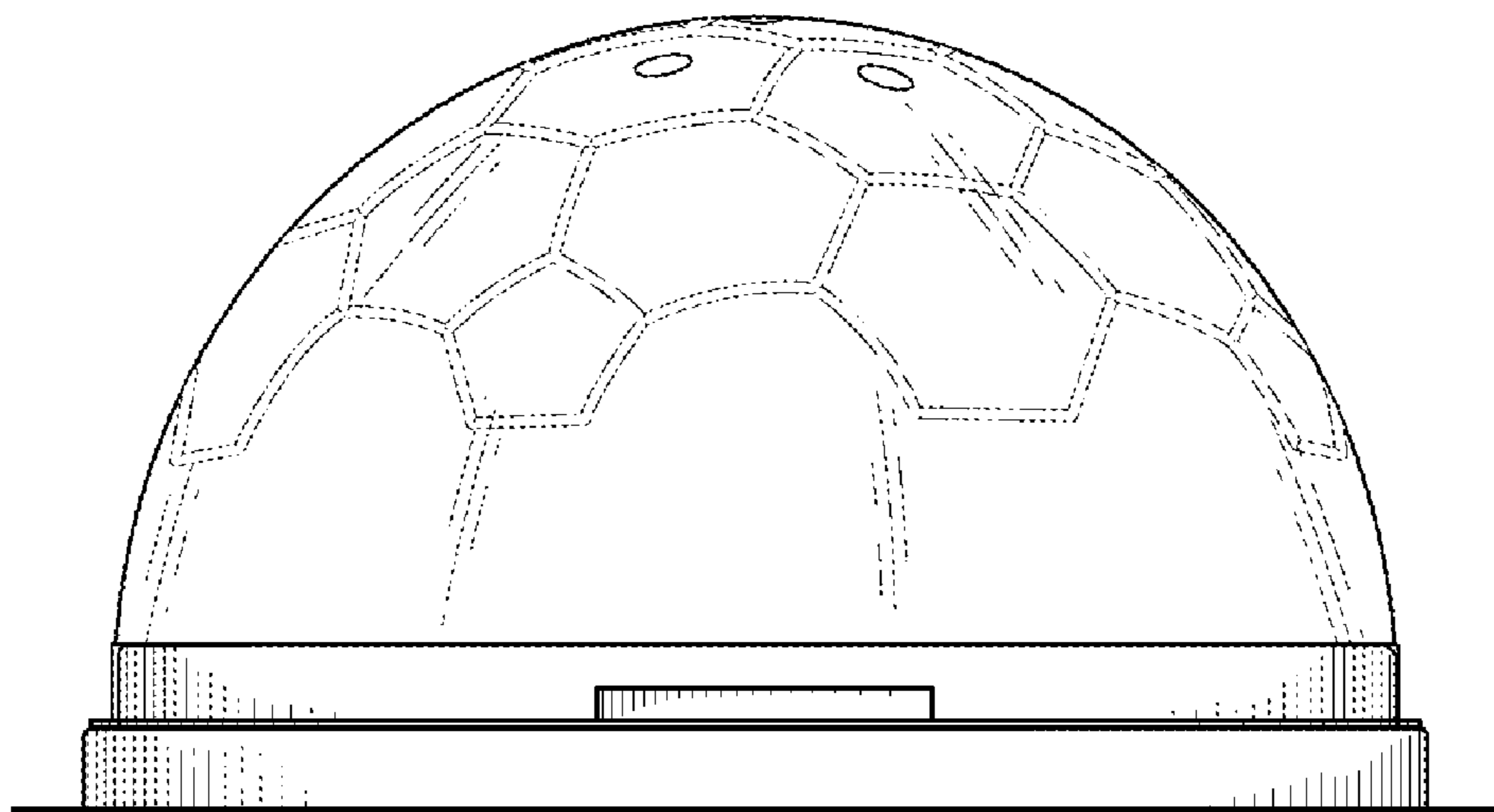


FIG. 5

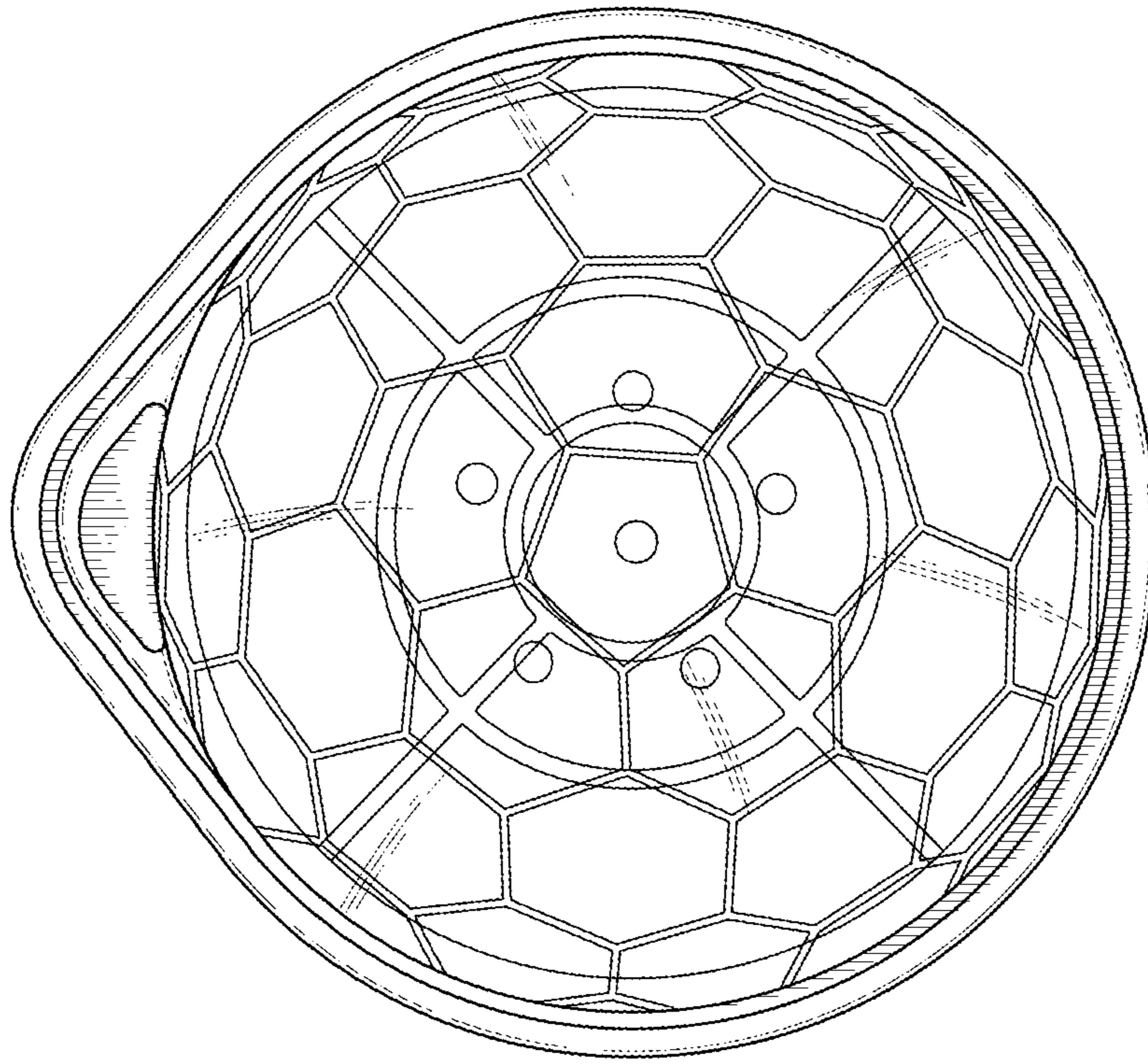


FIG. 6

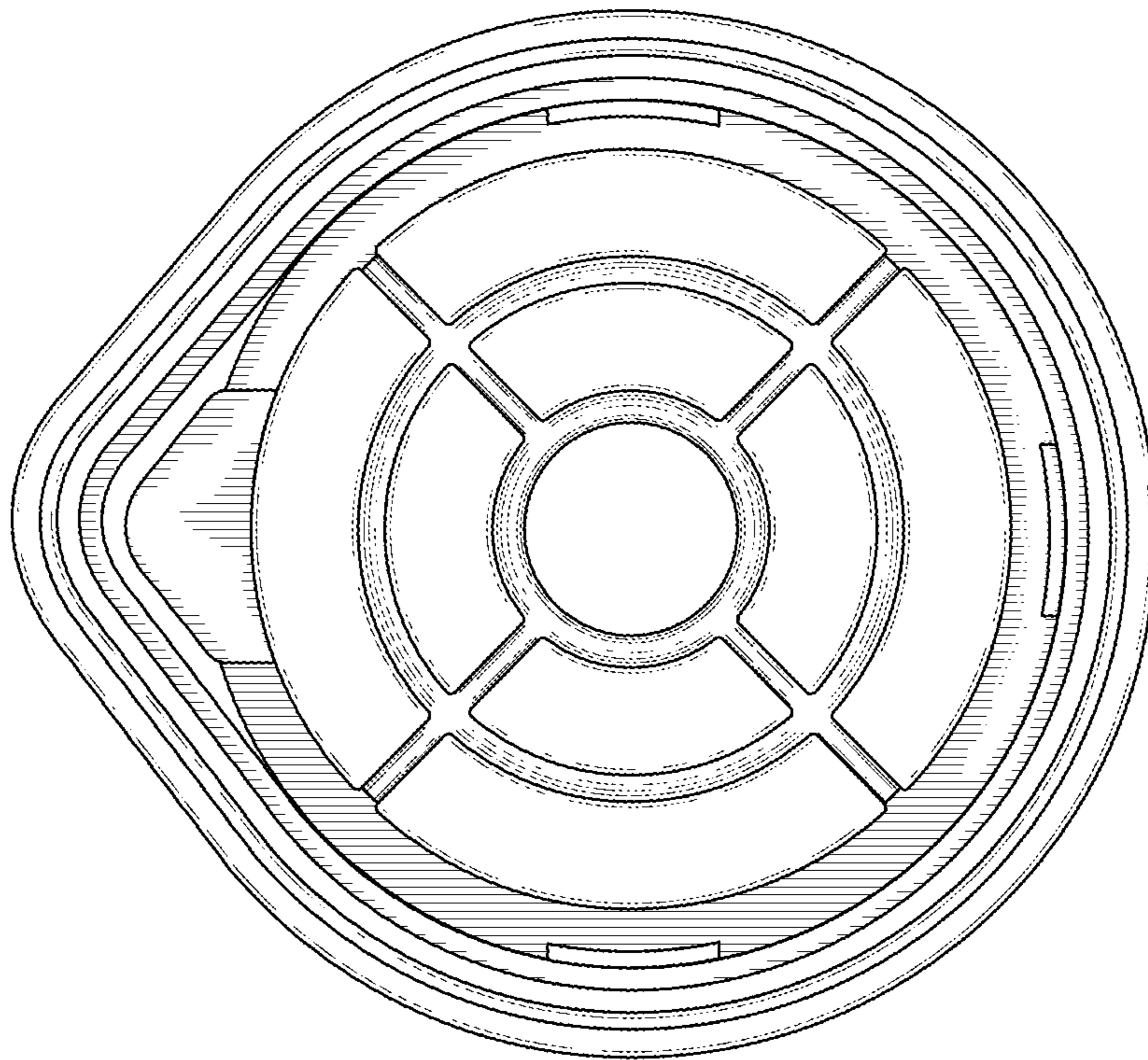


FIG. 7