



US00D624451S

(12) **United States Design Patent**
Bergman

(10) **Patent No.:** **US D624,451 S**

(45) **Date of Patent:** **** Sep. 28, 2010**

(54) **JEWELRY**

(75) Inventor: **Phyllis Bergman**, Englewood, NJ (US)

(73) Assignee: **Mercury Ring, a division of Interjewel U S A, Inc.**, New York, NY (US)

(**) Term: **14 Years**

(21) Appl. No.: **29/340,293**

(22) Filed: **Jul. 16, 2009**

(51) **LOC (9) Cl.** **11-01**

(52) **U.S. Cl.** **D11/91**

(58) **Field of Classification Search** D11/89-94,
D11/1, 2, 6-12, 16, 24-28, 34-43, 79, 70,
D11/222, 47, 75; 63/1.11-14.1, 15-15.4,
63/20, 22, 23, 26-33

See application file for complete search history.

(56) **References Cited**

U.S. PATENT DOCUMENTS

229,742	A *	7/1880	Nerney	D11/13
D12,433	S *	8/1881	Nevins	D11/93
D32,439	S *	4/1900	Gay	D11/12
757,772	A *	4/1904	Rodenberg	D11/93
990,253	A *	4/1911	Goldsmith	D11/93
D83,072	S *	1/1931	Speidel	D11/12
2,368,543	A *	1/1945	Hattenrath	D11/94
D141,170	S *	5/1945	Braunstein	D11/12
D156,191	S *	11/1949	Augenstein	D11/93
D161,315	S *	12/1950	Chernow	D11/93
D165,212	S *	11/1951	Augenstein	D11/93
2,689,450	A *	9/1954	Stiegele	D11/93
2,822,663	A *	2/1958	Lutts	D11/93
D205,717	S *	9/1966	Cowan	D11/94
D242,767	S *	12/1976	Yamaguchi	D11/93
D305,412	S *	1/1990	Zemer	D11/93
D321,148	S *	10/1991	Chiaromonti et al.	D11/12

(Continued)

Primary Examiner—T. Chase Nelson

(74) *Attorney, Agent, or Firm*—Levisohn Berger LLP

(57) **CLAIM**

The ornamental design for jewelry, as shown and described.

DESCRIPTION

FIG. 1 is a top perspective view of a first embodiment of this invention;

FIG. 2 is a front elevational view of the invention of FIG. 1;

FIG. 3 is a rear elevational view of the invention of FIG. 1;

FIG. 4 is a left side elevational view of the invention of FIG. 1;

FIG. 5 is a right side elevational view of the invention of FIG. 1;

FIG. 6 is a top plan view of the invention of FIG. 1;

FIG. 7 is a bottom plan view of the invention of FIG. 1;

FIG. 8 is a perspective view of the second embodiment of this invention;

FIG. 9 is a front elevational view of the second embodiment of this invention;

FIG. 10 is a rear elevational view of the second embodiment of this invention;

FIG. 11 is a left side elevational view of the second embodiment of this invention;

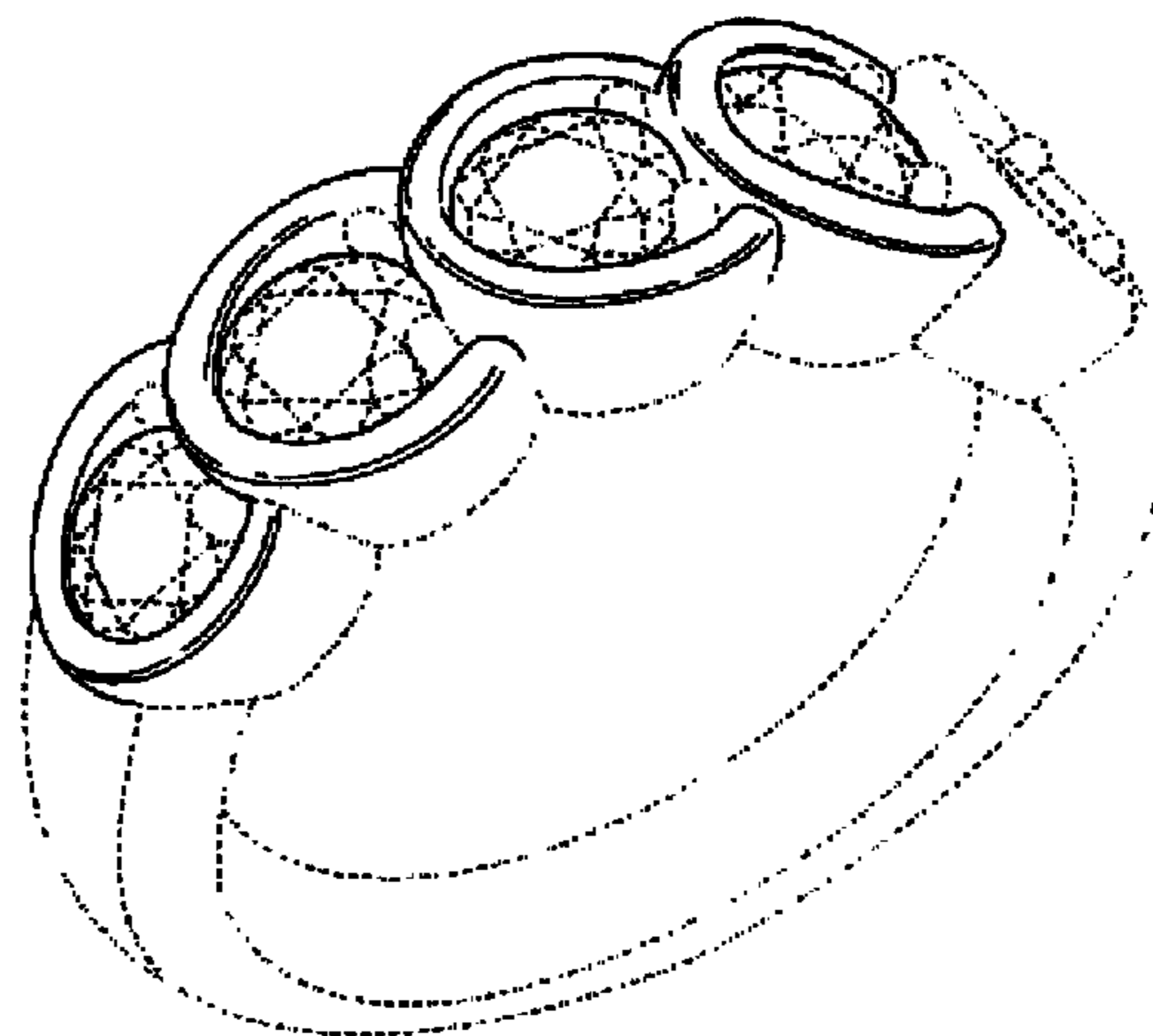
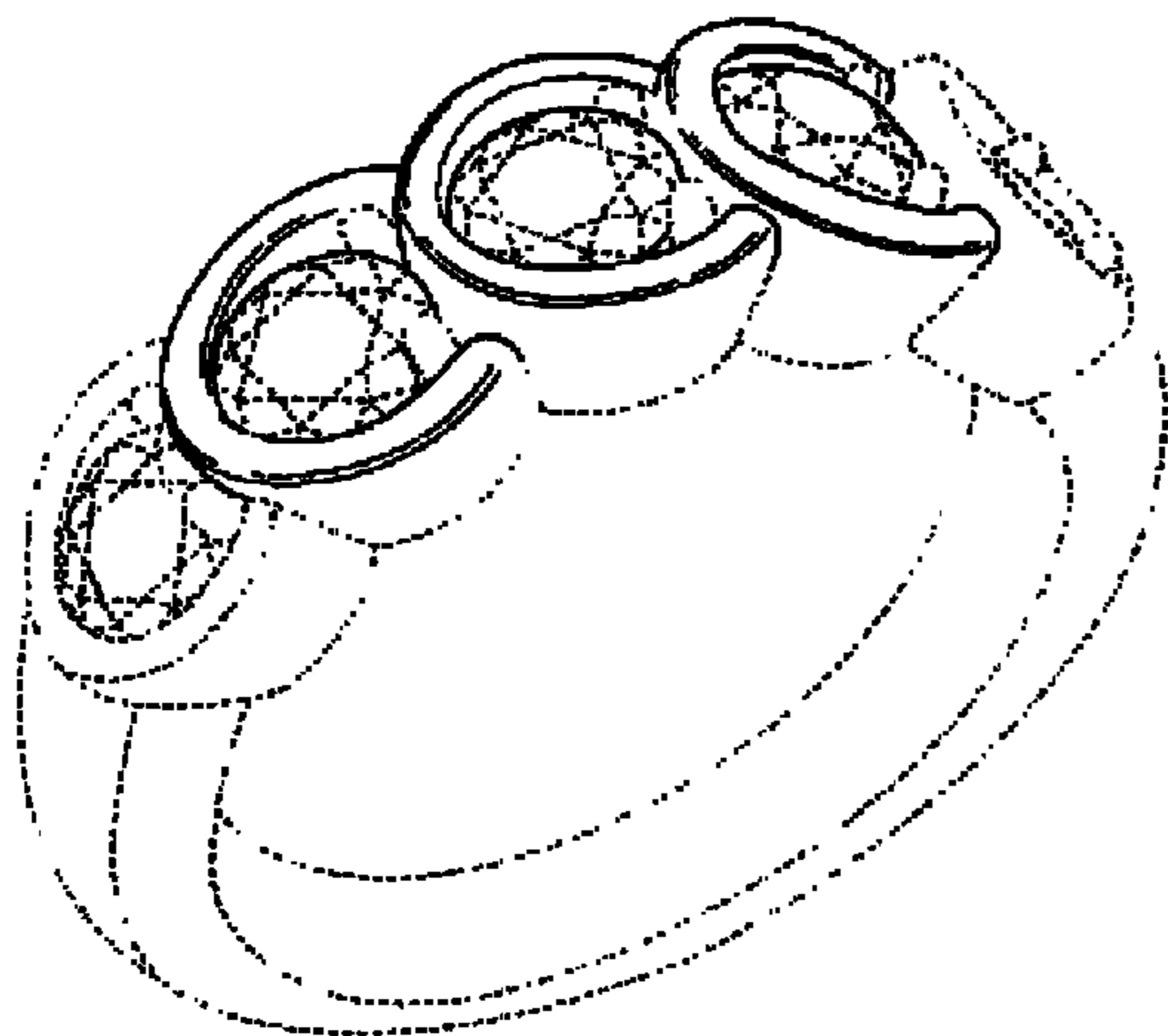
FIG. 12 is a right side elevational view of the second embodiment of this invention;

FIG. 13 is a top plan view of the second embodiment of this invention; and,

FIG. 14 is a bottom plan view of the second embodiment of this invention.

The broken lines are for purposes of illustrating portions of the jewelry that form no part of the claimed design.

1 Claim, 10 Drawing Sheets



US D624,451 S

Page 2

U.S. PATENT DOCUMENTS

D338,171 S *	8/1993	Bichi	D11/12	D508,869 S *	8/2005	Rosenwasser et al.	D11/93
D402,580 S *	12/1998	Kanoui	D11/12	D511,312 S *	11/2005	Aghjayan et al.	D11/91
D483,289 S *	12/2003	Rosenwasser et al.	D11/13	D545,235 S *	6/2007	Carter-Smith et al.	D11/27
				2009/0049866 A1*	2/2009	Dominguez	63/33

* cited by examiner

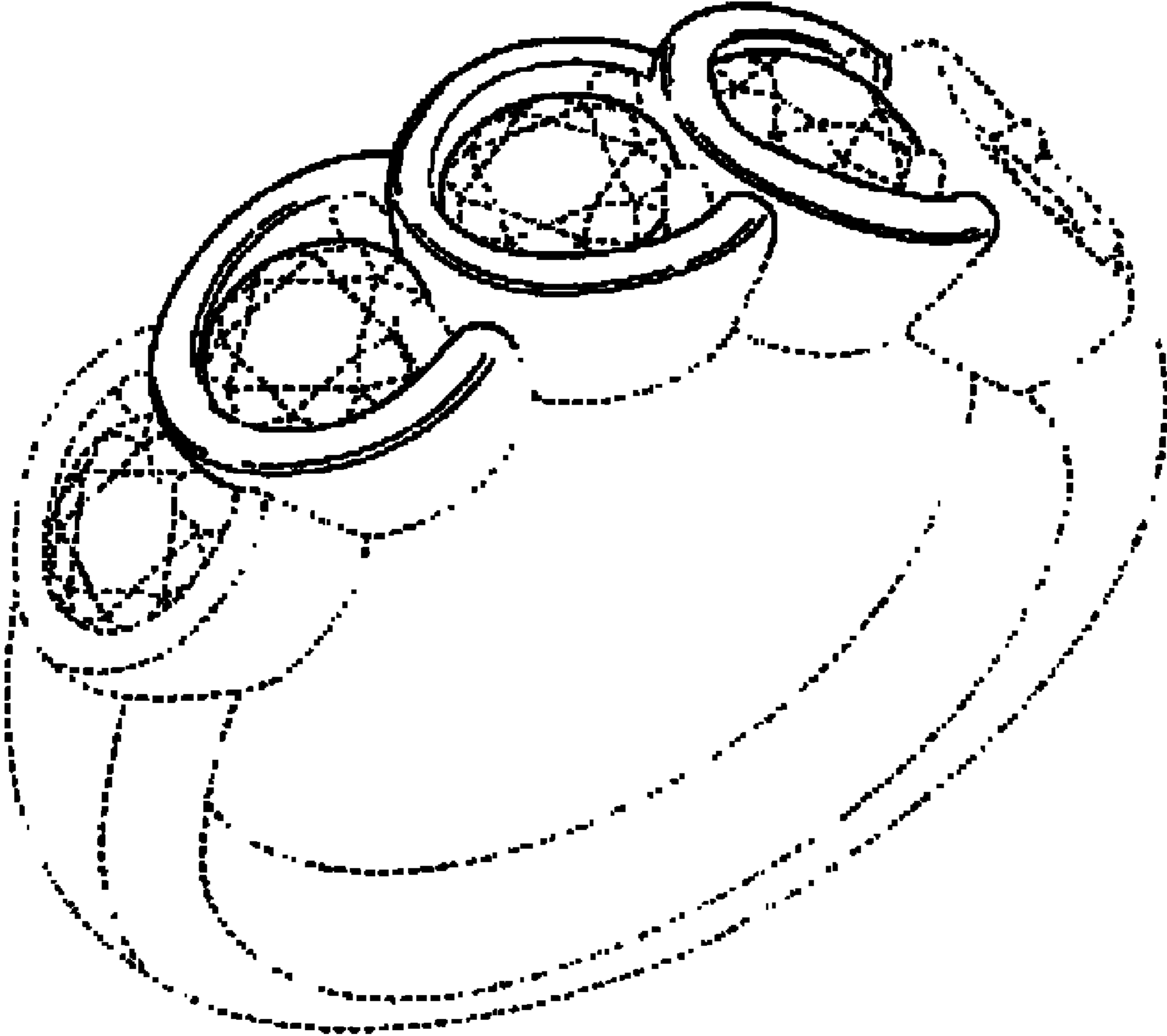


FIG. 1

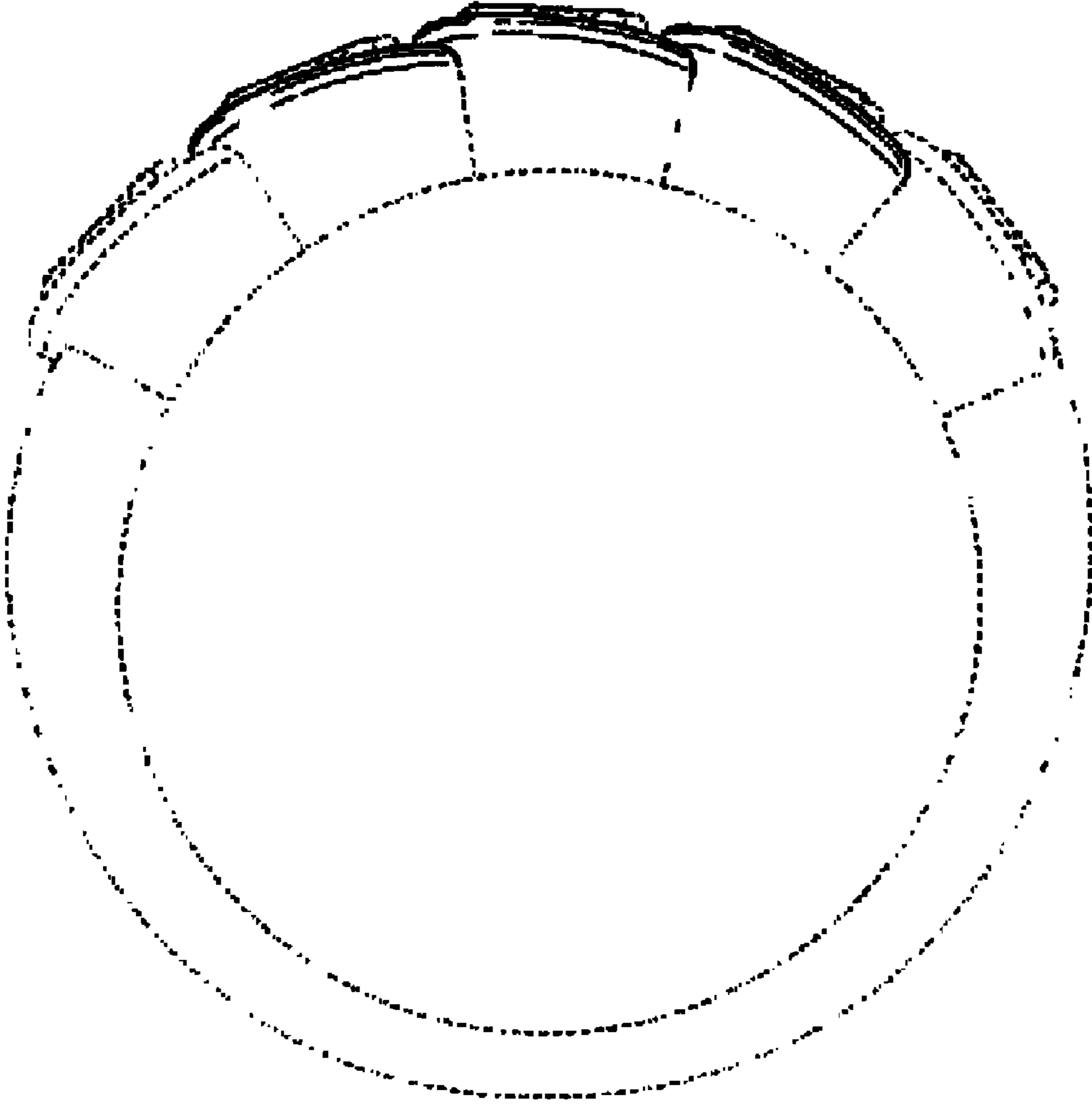


FIG. 2

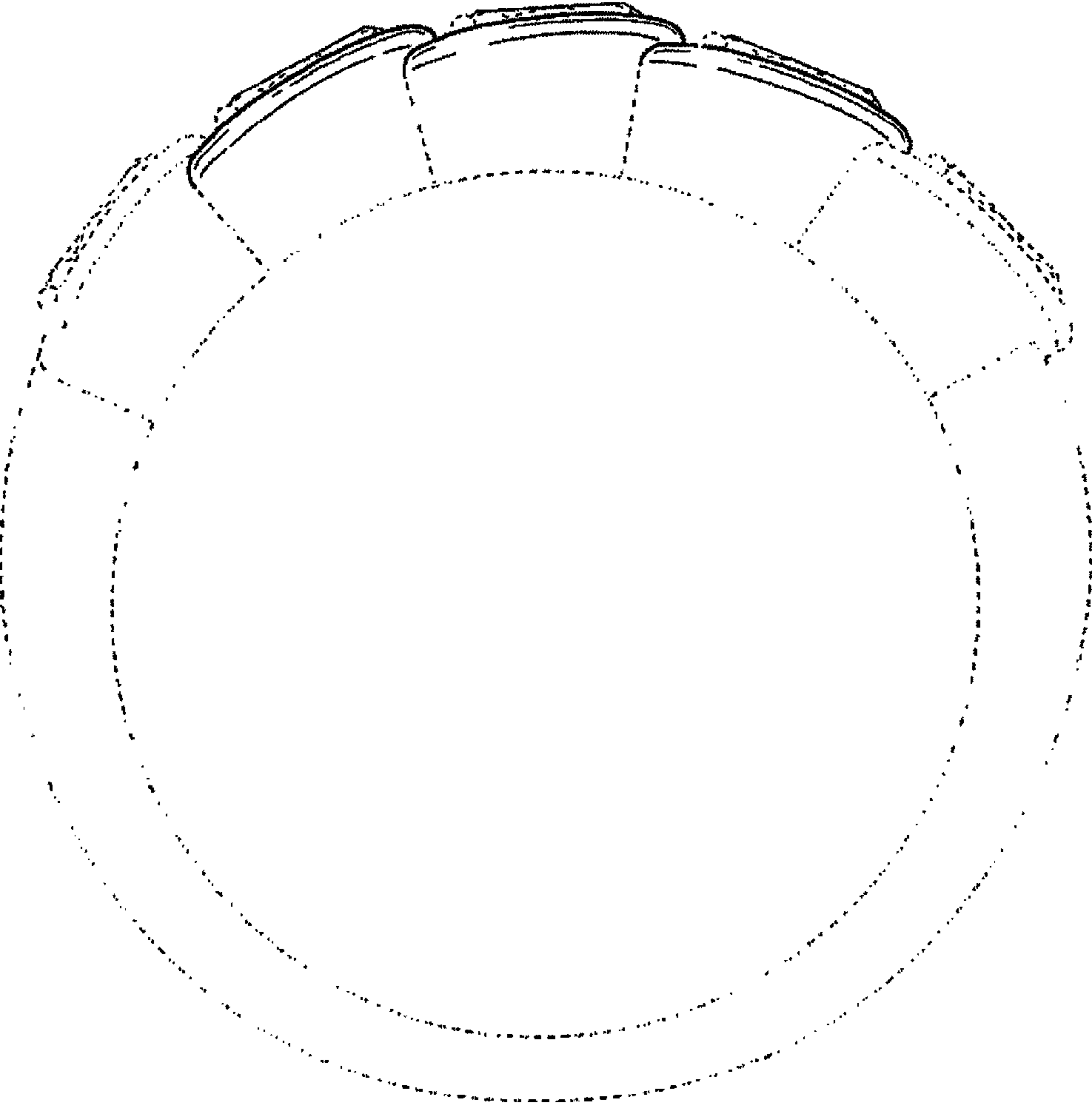


FIG. 3

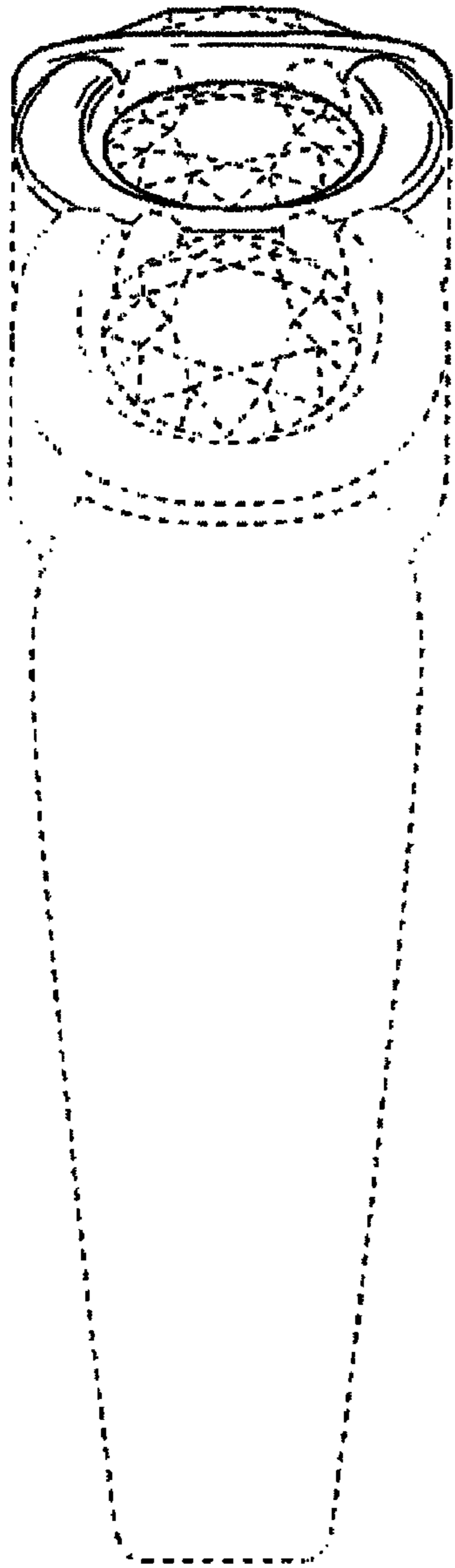


FIG. 4

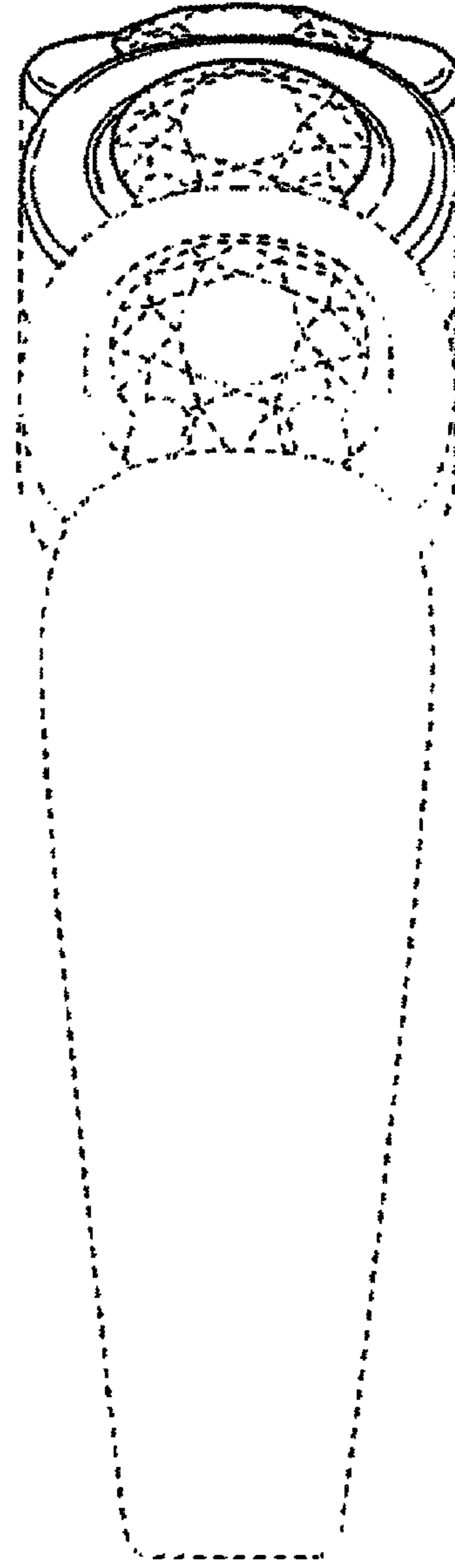


FIG. 5

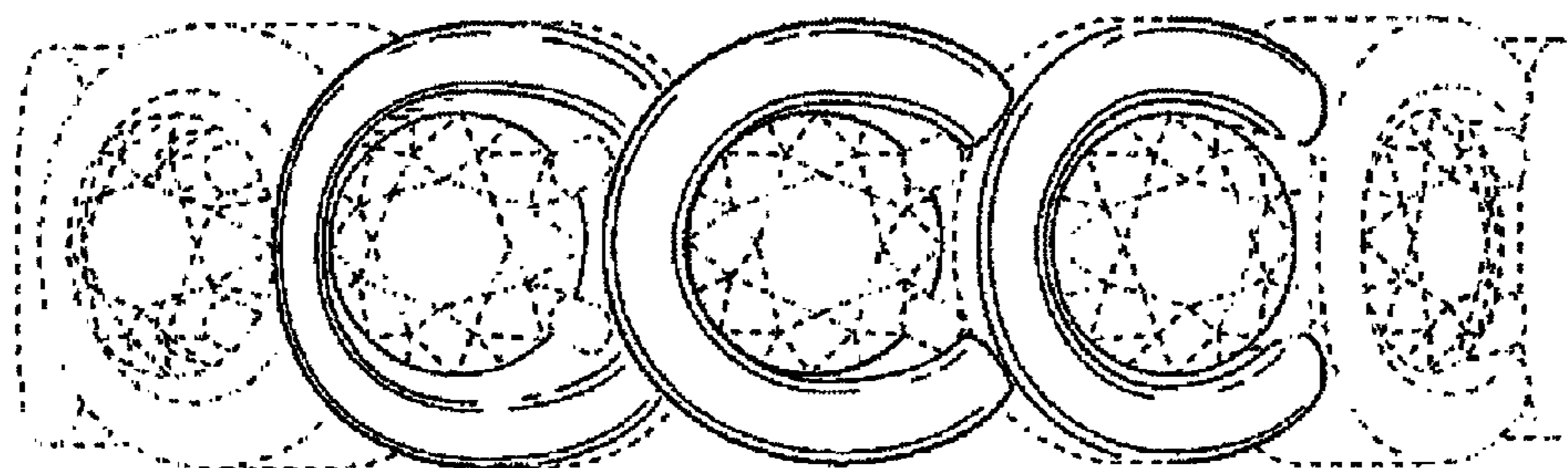


FIG. 6

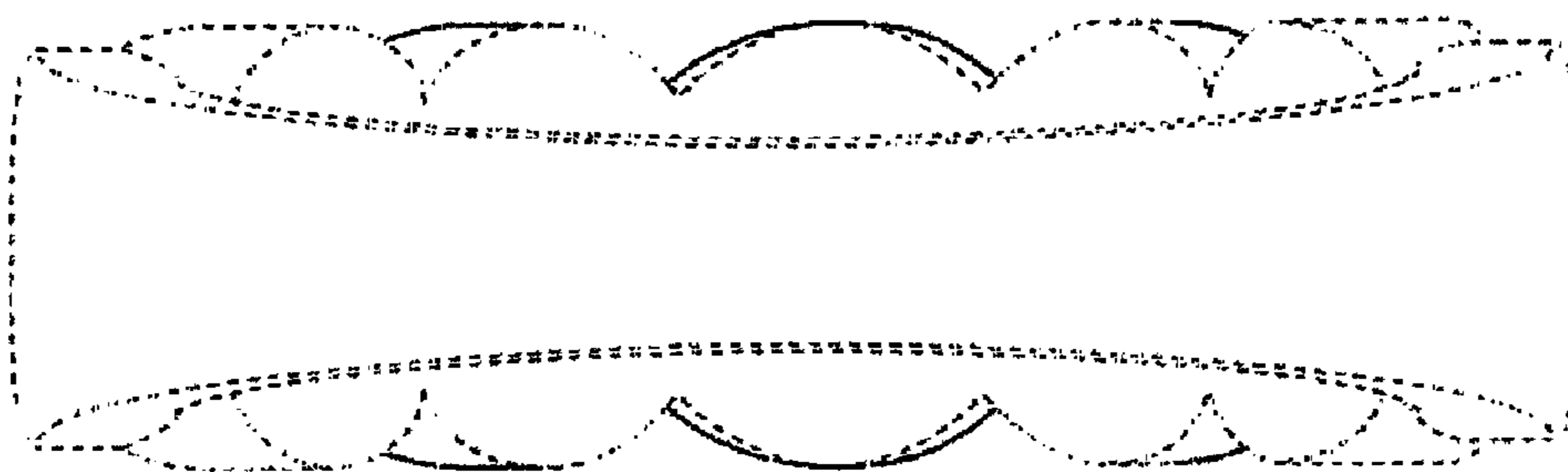


FIG. 7

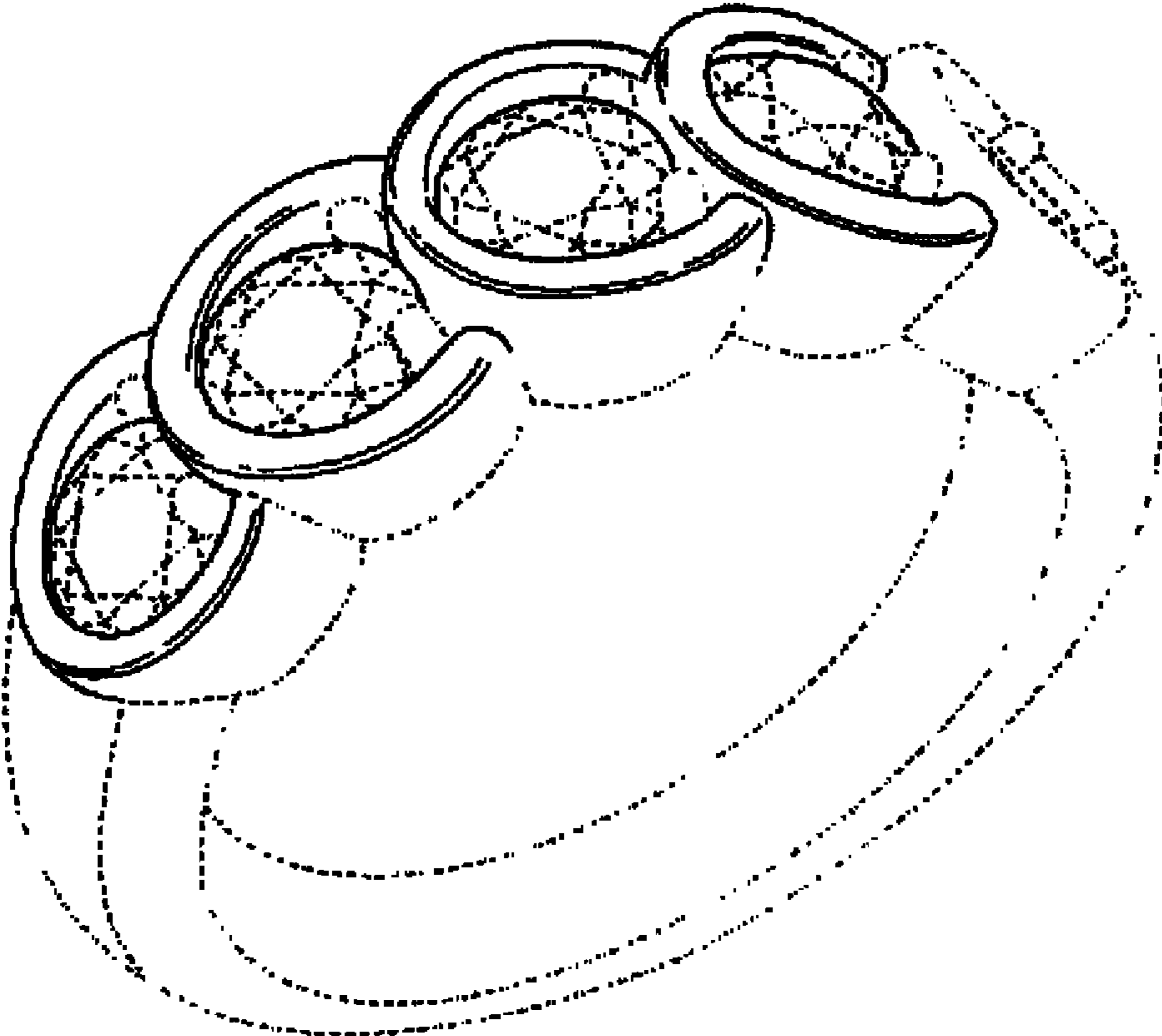


FIG. 8

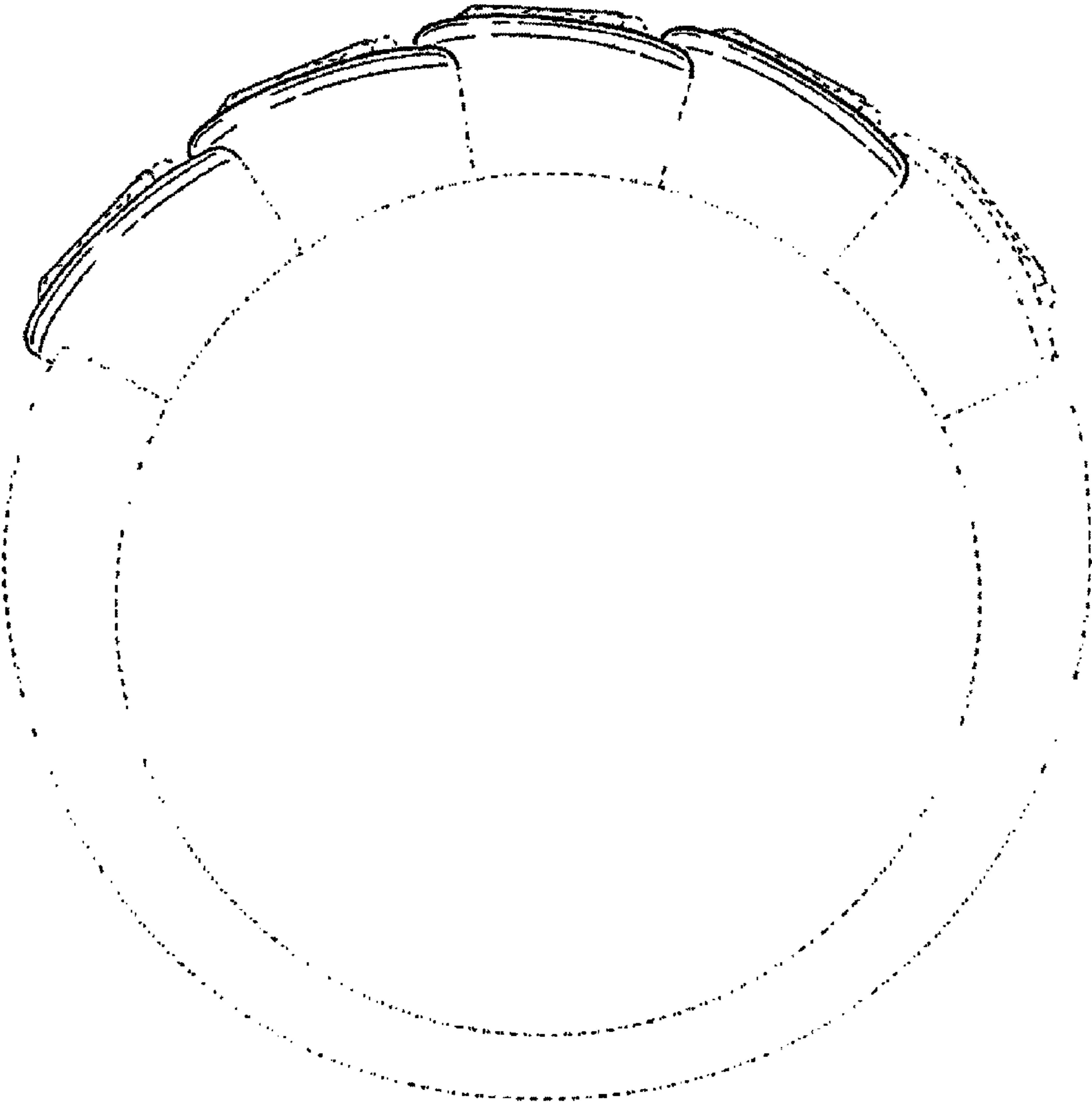


FIG. 9

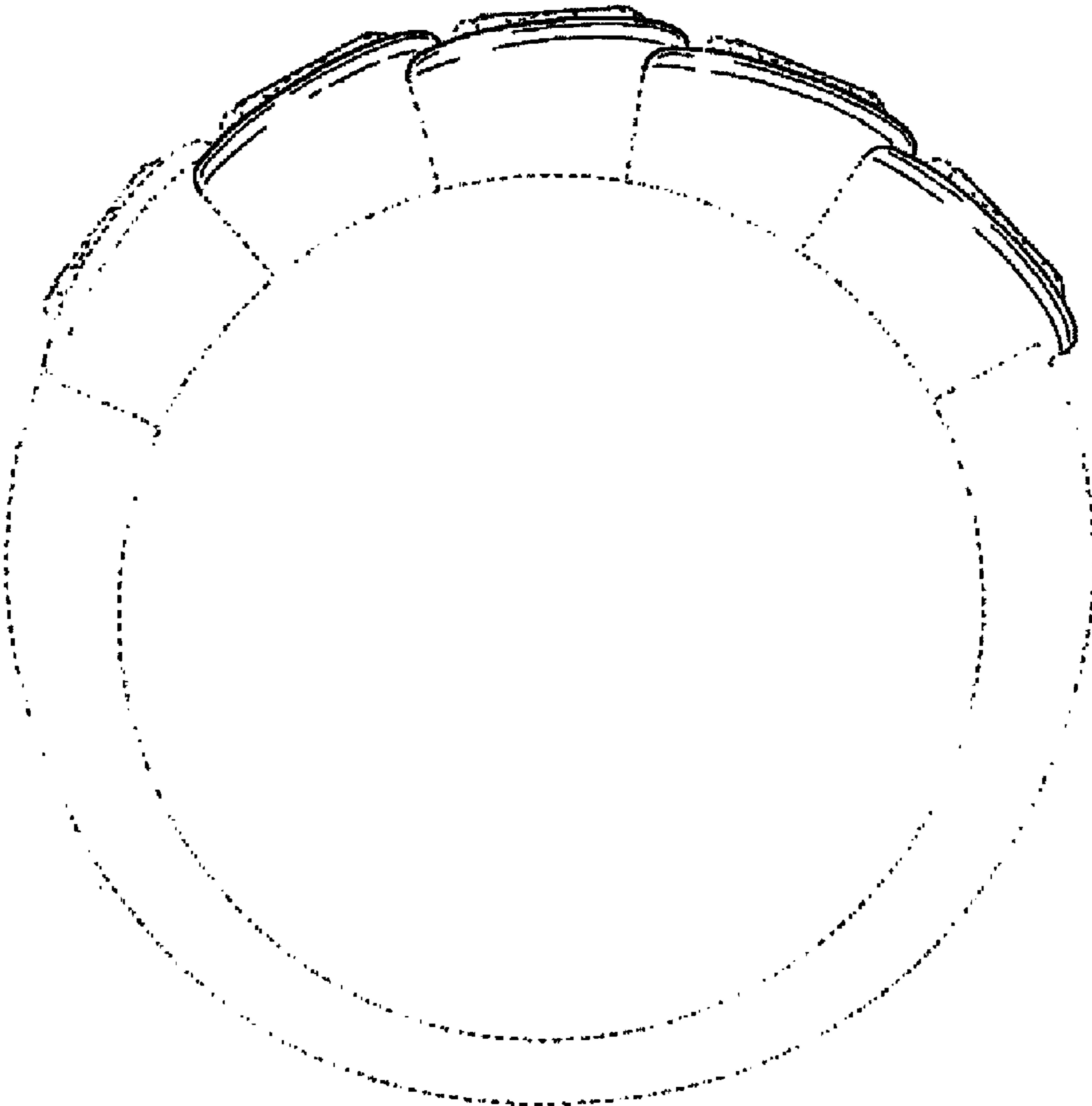


FIG. 10

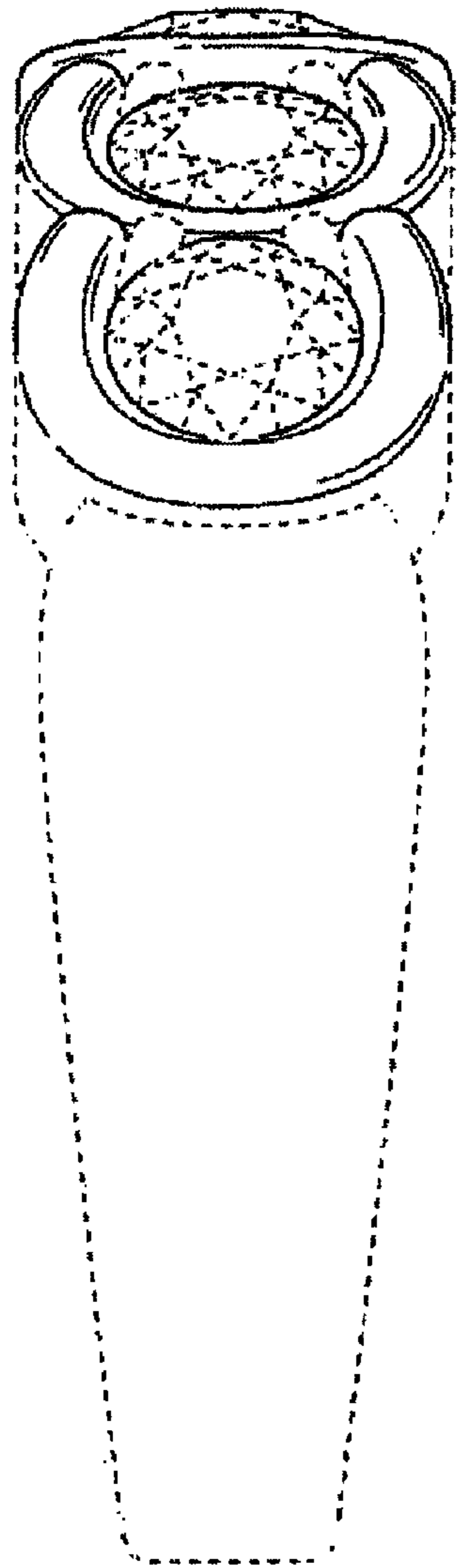


FIG. 11

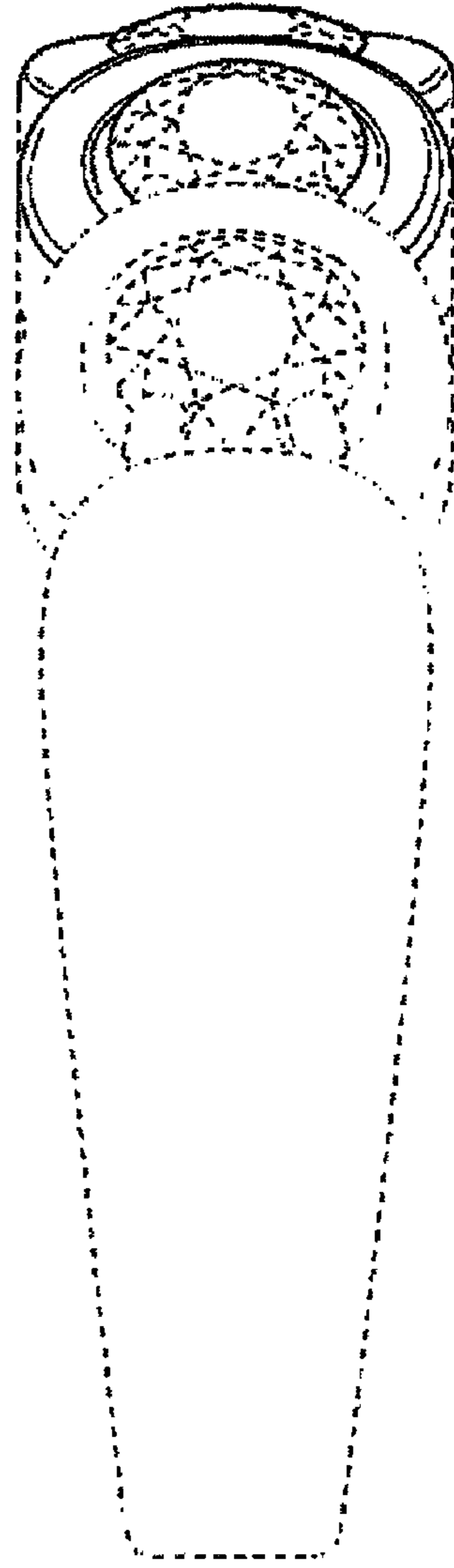


FIG. 12

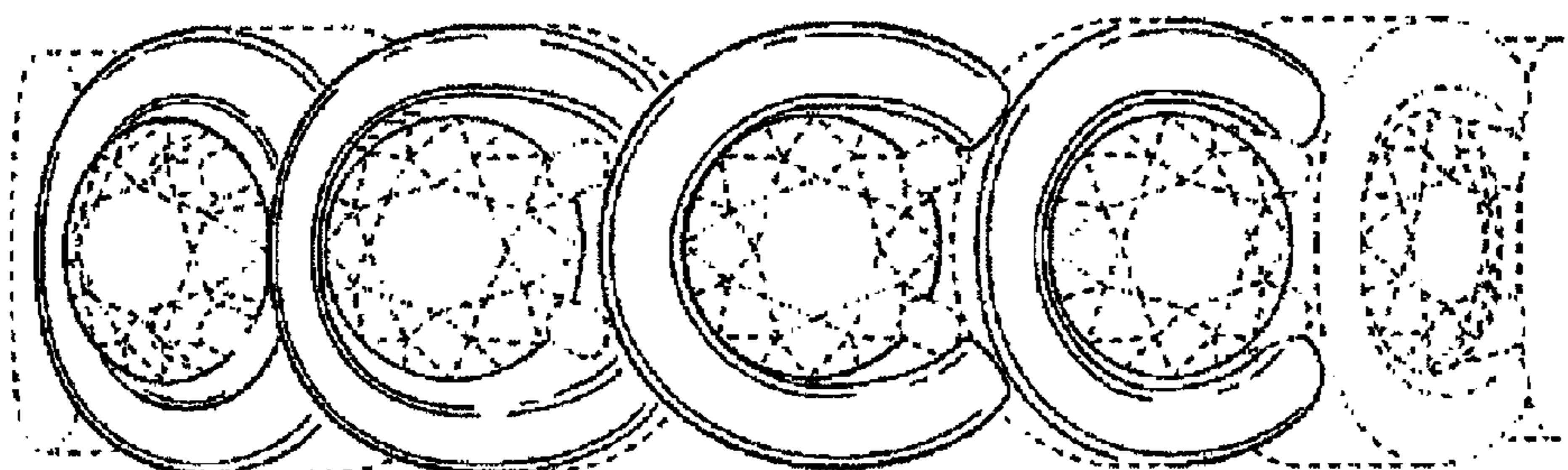


FIG. 13

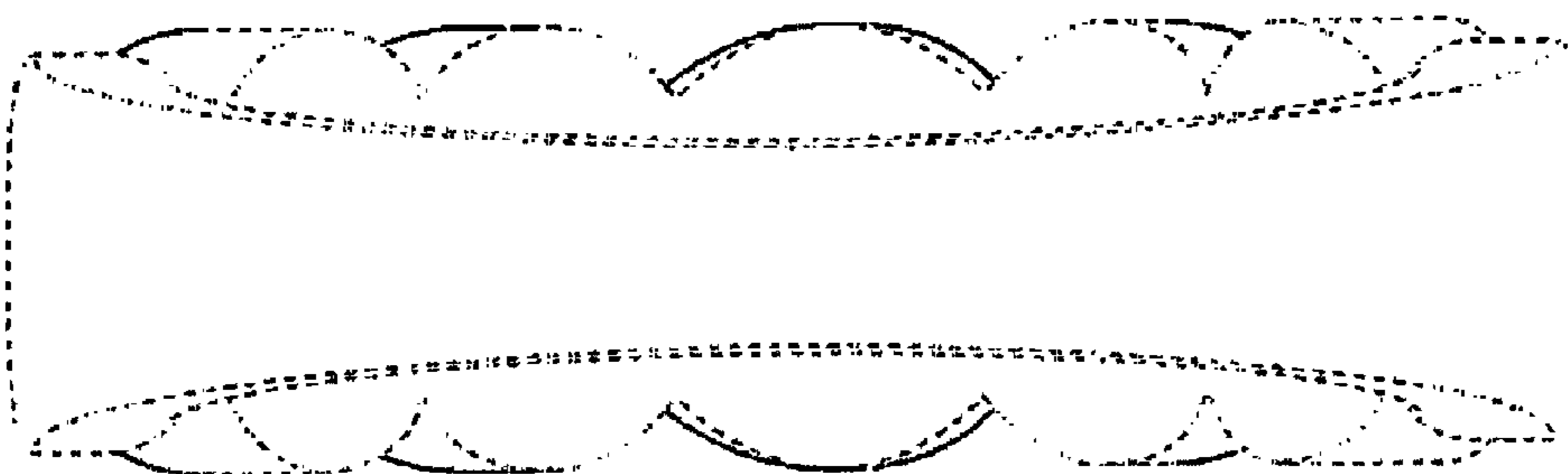


FIG. 14