



US00D624447S

(12) **United States Design Patent**
Yang

(10) **Patent No.:** **US D624,447 S**

(45) **Date of Patent:** **** *Sep. 28, 2010**

(54) **ELECTRONIC ARTICLE SURVEILLANCE TAG**

(75) Inventor: **Xiao Hui Yang**, Los Altos, CA (US)

(73) Assignee: **WG Security Products, Inc.**, San Jose, CA (US)

(*) Notice: This patent is subject to a terminal disclaimer.

(**) Term: **14 Years**

(21) Appl. No.: **29/332,708**

(22) Filed: **Feb. 24, 2009**

(51) **LOC (9) Cl.** **10-05**

(52) **U.S. Cl.** **D10/104**

(58) **Field of Classification Search** D10/104,
D10/106; 340/571.2, 571.8, 571.9, 571.1;
24/704.1; 70/57.1

See application file for complete search history.

(56) **References Cited**

U.S. PATENT DOCUMENTS

| | | | | |
|-----------|-----|---------|--------------------|---------|
| 3,911,534 | A | 10/1975 | Martens et al. | |
| 4,774,503 | A | 9/1988 | Bussard | |
| 4,774,504 | A | 9/1988 | Hartings | |
| 5,426,419 | A | 6/1995 | Nguyen et al. | |
| 5,528,914 | A | 6/1996 | Nguyen et al. | |
| D427,929 | S * | 7/2000 | Sayegh | D10/104 |
| 6,121,878 | A | 9/2000 | Brady et al. | |
| 6,255,950 | B1 | 7/2001 | Nguyen | |
| 6,339,378 | B2 | 1/2002 | Seidel | |
| 6,373,390 | B1 | 4/2002 | Hogan et al. | |
| D460,012 | S * | 7/2002 | Proulx et al. | D10/106 |
| 6,449,991 | B1 | 9/2002 | Hogan | |
| 6,474,117 | B2 | 11/2002 | Okuno | |
| D466,426 | S * | 12/2002 | Proulx et al. | D10/104 |
| 6,535,130 | B2 | 3/2003 | Nguyen et al. | |
| D478,829 | S | 8/2003 | Yang et al. | |
| 6,754,939 | B2 | 6/2004 | Belden, Jr. et al. | |
| D494,487 | S | 8/2004 | Sayegh | |
| D503,900 | S * | 4/2005 | Sayegh | D10/104 |

| | | | | |
|-----------|------|---------|---------------|-----------|
| D504,634 | S | 5/2005 | Sayegh | |
| D505,349 | S | 5/2005 | Sayegh | |
| D505,350 | S | 5/2005 | Sayegh | |
| 7,073,236 | B2 | 7/2006 | Xue et al. | |
| 7,084,766 | B2 | 8/2006 | Sayegh et al. | |
| 7,148,805 | B2 * | 12/2006 | Hogan | 340/572.9 |
| 7,190,272 | B2 | 3/2007 | Yang et al. | |

(Continued)

Primary Examiner—Caron Veynar

Assistant Examiner—George D Kirschbaum

(74) *Attorney, Agent, or Firm*—Waters Law Group; Robert R. Waters; Brian W. Foxworthy

(57) **CLAIM**

The ornamental design for an electronic article surveillance tag, as shown and described.

DESCRIPTION

FIG. 1 is a perspective view of my new design for an electronic article surveillance tag.

FIG. 2 is a front view of my new design for electronic article surveillance tag.

FIG. 3 is a rear view of my new design for an electronic article surveillance tag.

FIG. 4 is a side view of my new design for an electronic article surveillance tag.

FIG. 5 is a side view of my new design for an electronic article surveillance tag.

FIG. 6 is a top view of my new design for an electronic article surveillance tag.

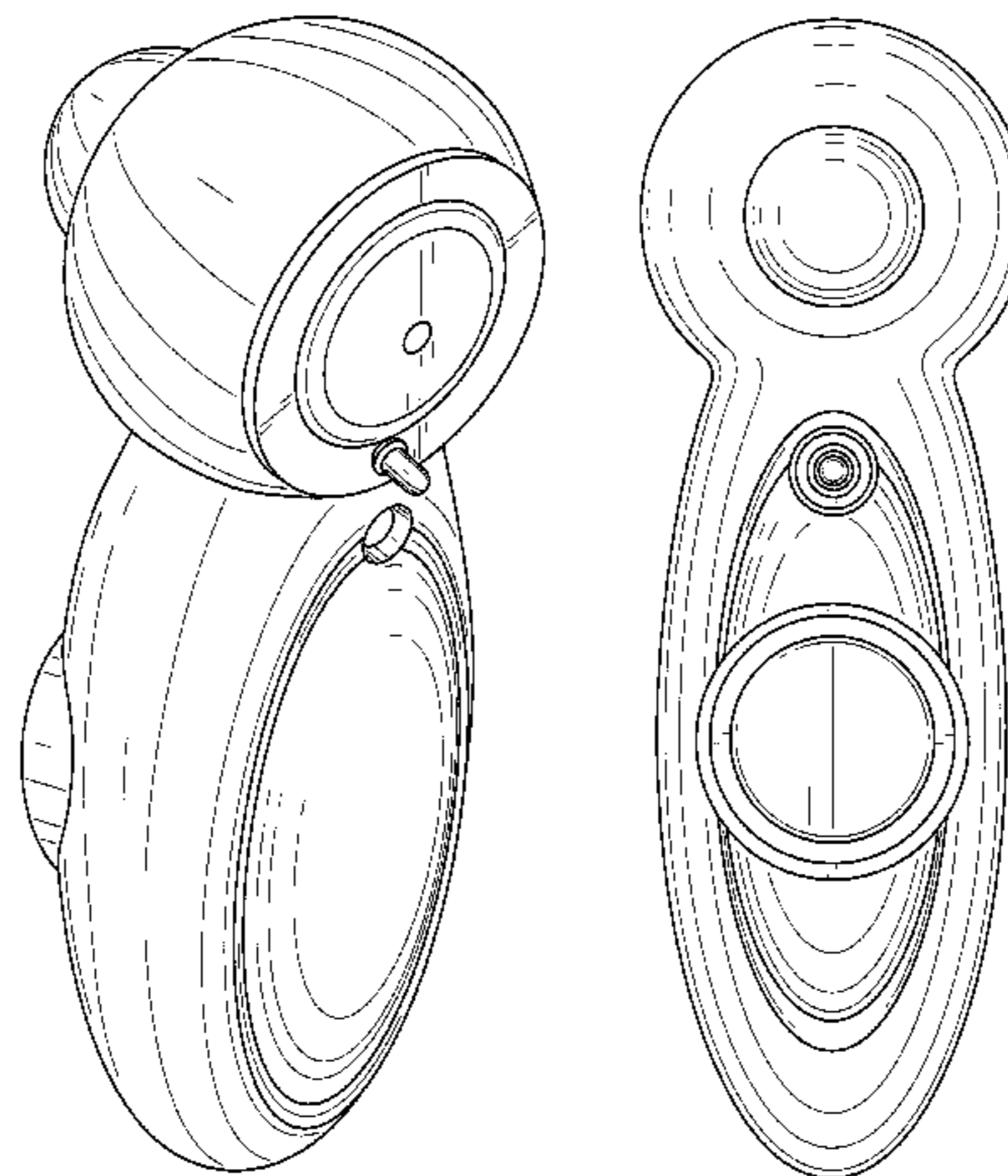
FIG. 7 is a bottom view of my new design for an electronic article surveillance tag.

FIG. 8 is a front perspective view thereof; and,

FIG. 9 is a rear perspective view thereof.

In the drawings, the broken line showing of a security tag cap depicts environmental subject matter and forms no part of the claim.

1 Claim, 8 Drawing Sheets



US D624,447 S

Page 2

| U.S. PATENT DOCUMENTS | | | | | | |
|-----------------------|----|--------|---------------|------|---------|----------------------------------|
| | | | 7,474,216 | B2 * | 1/2009 | Skjellerup et al. 340/572.1 |
| | | | 7,474,222 | B2 | 1/2009 | Yang et al. |
| | | | 2005/0270155 | A1 * | 12/2005 | Sayegh 340/572.1 |
| D559,720 | S | 1/2008 | Raymond | | | |
| 7,336,180 | B2 | 2/2008 | Sayegh et al. | | | |
| 7,400,254 | B2 | 7/2008 | Yang et al. | | | |

* cited by examiner

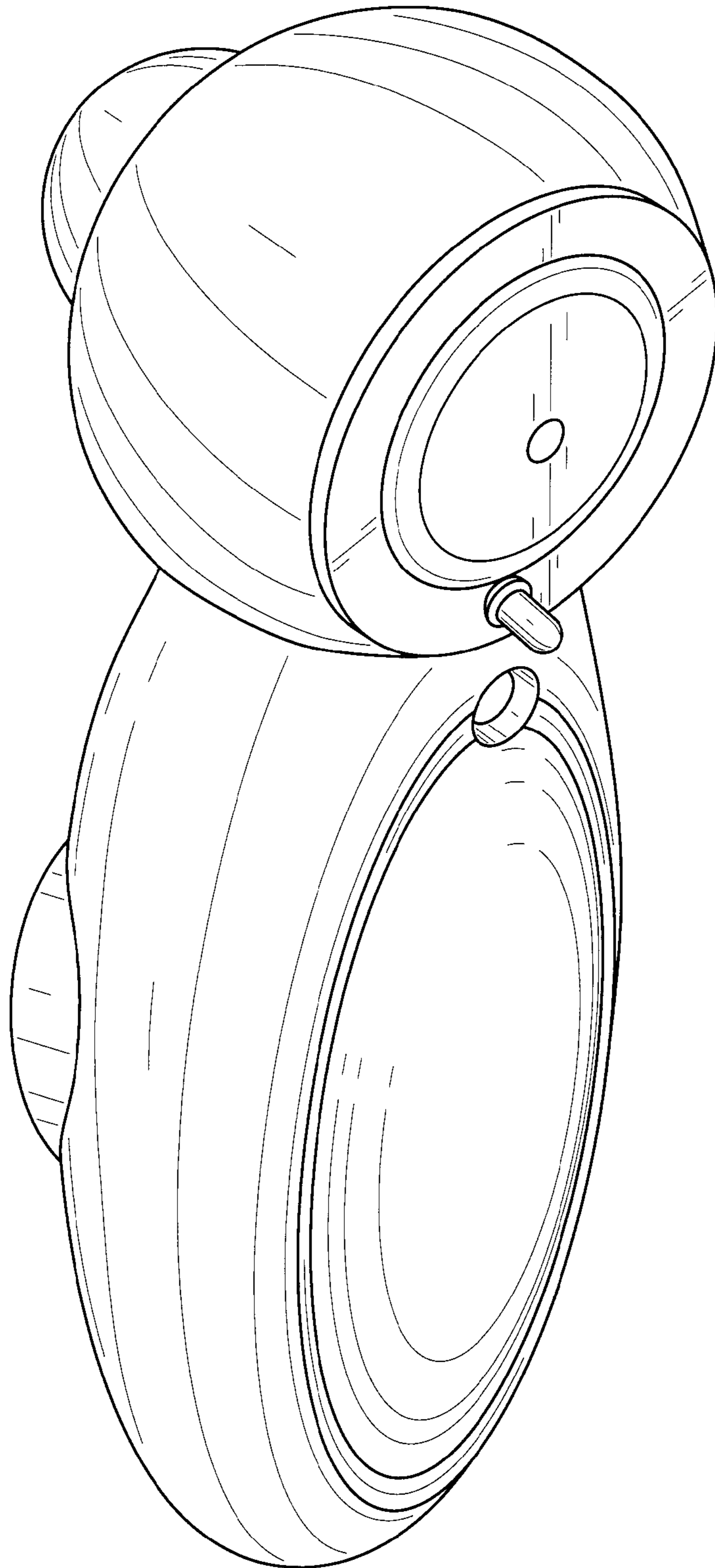


FIG. 1

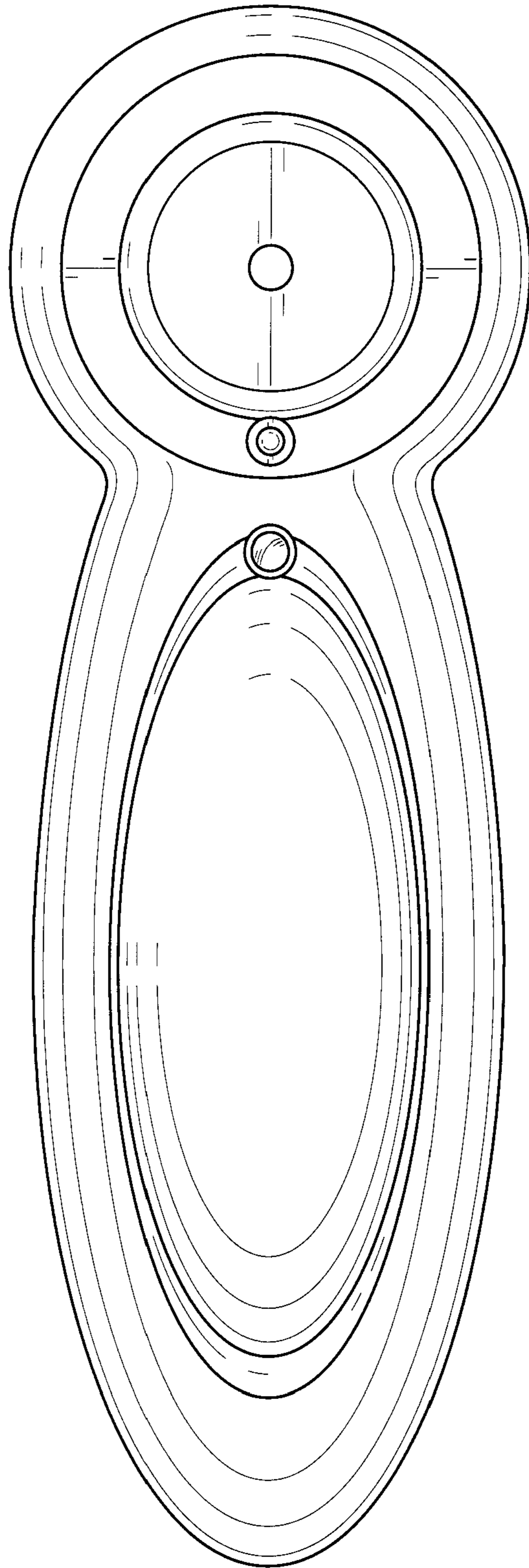


FIG. 2

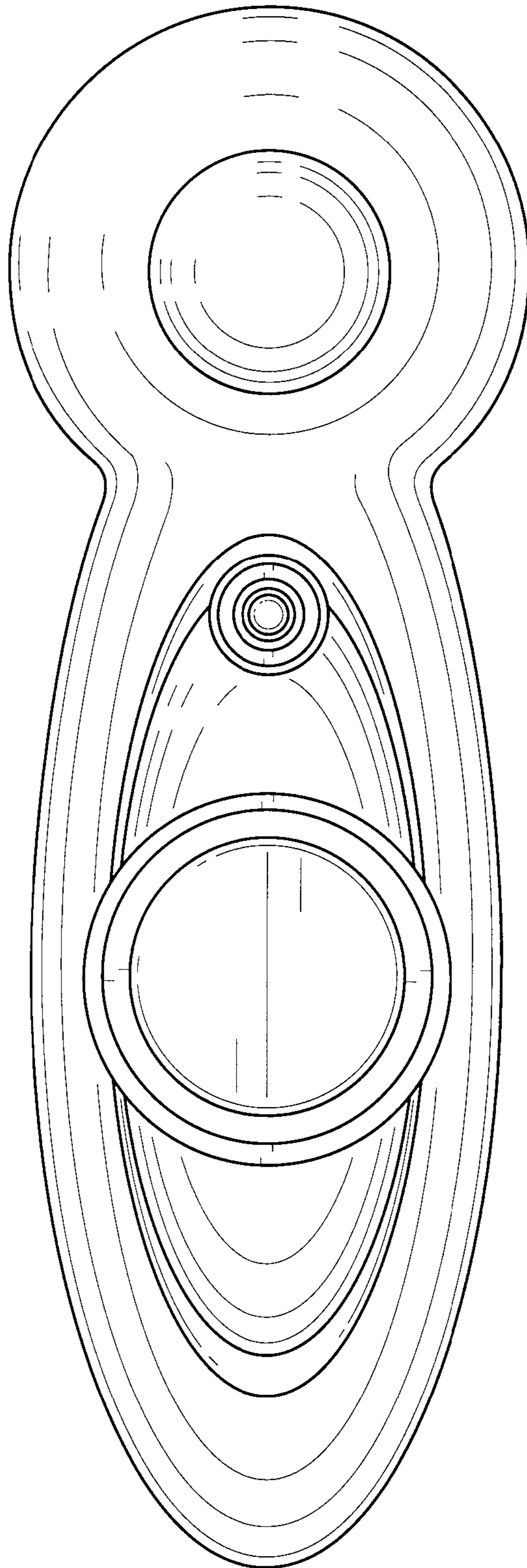


FIG. 3

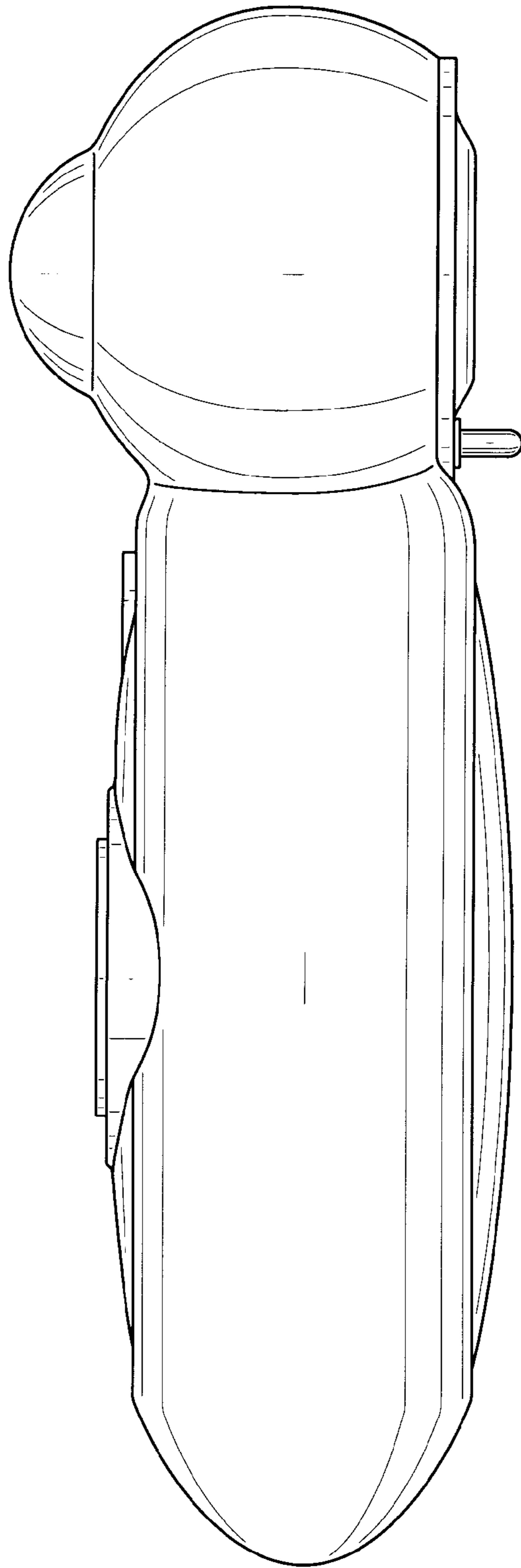


FIG. 4

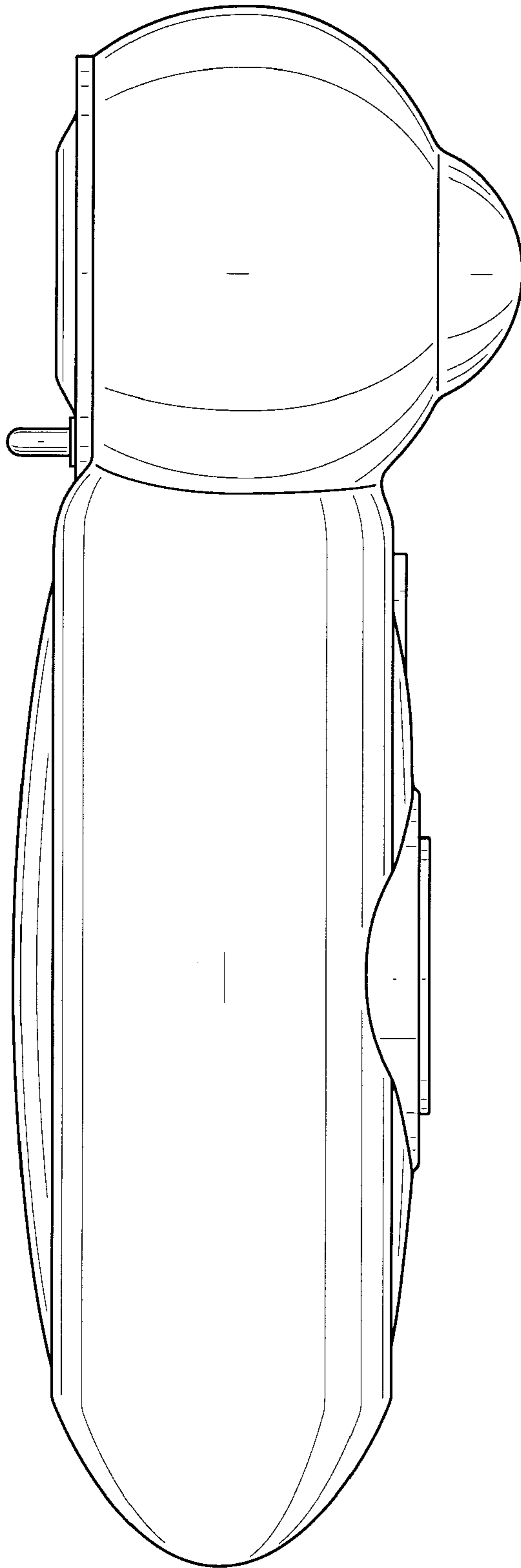


FIG. 5

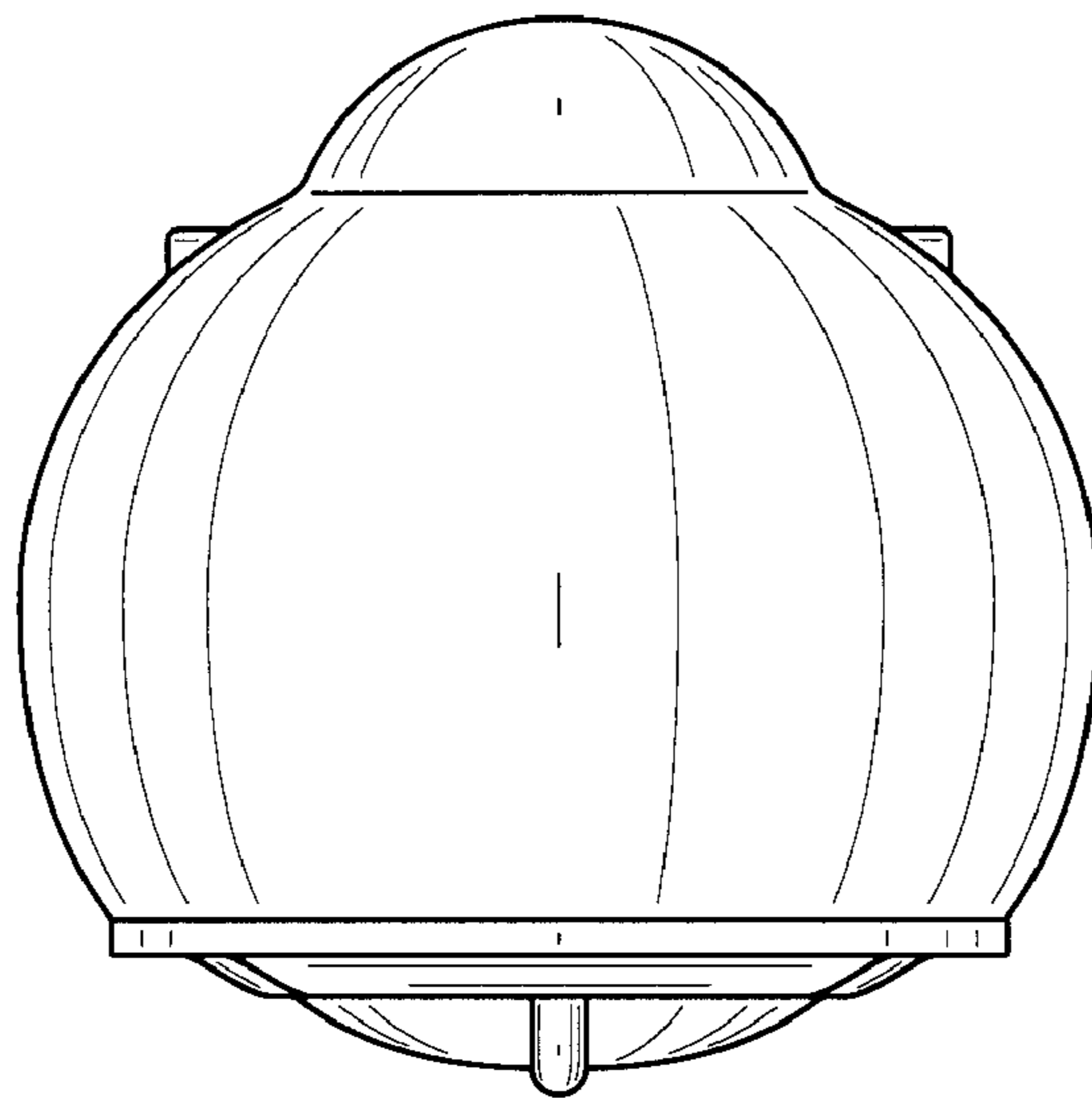


FIG. 6

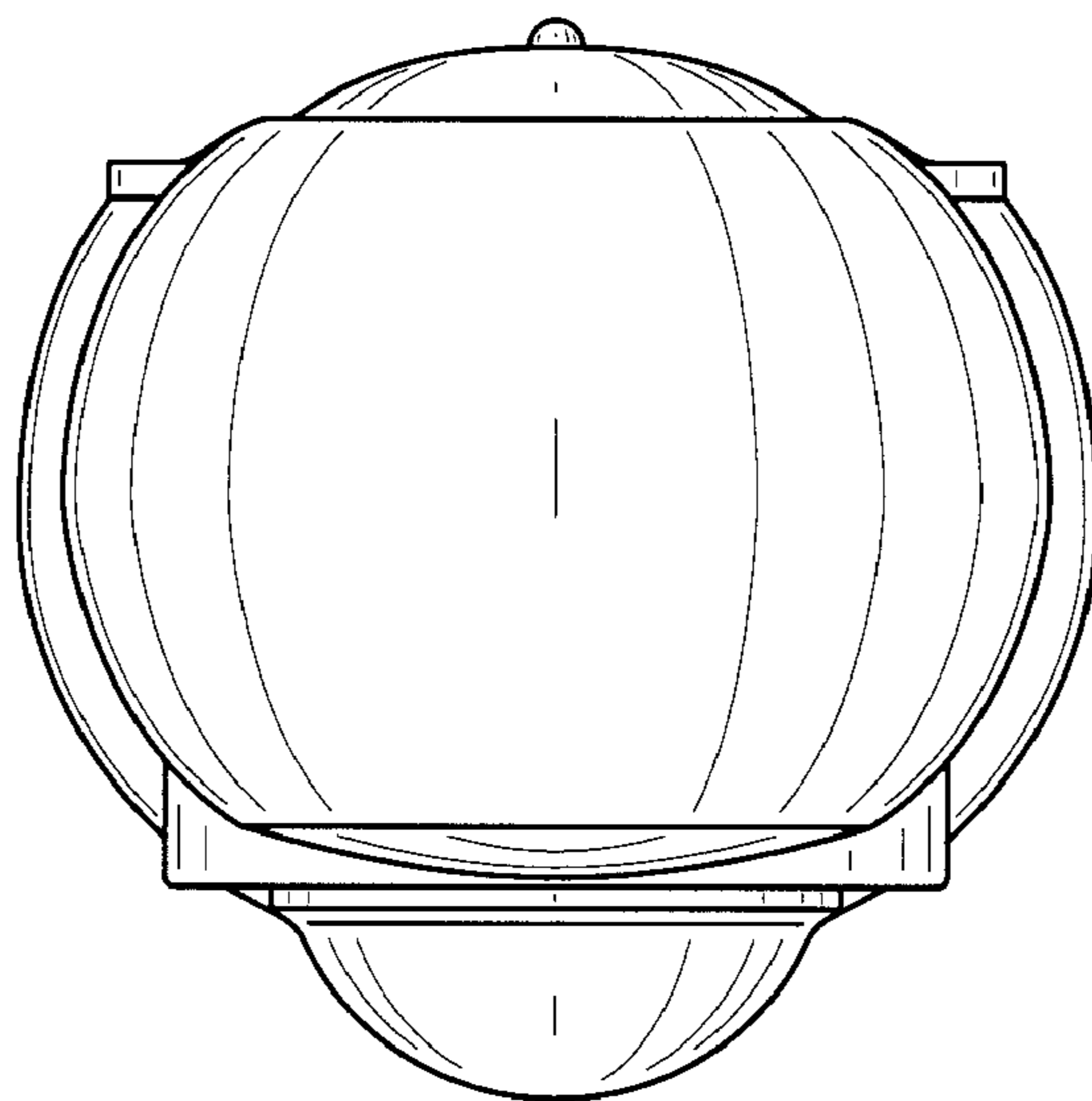


FIG. 7

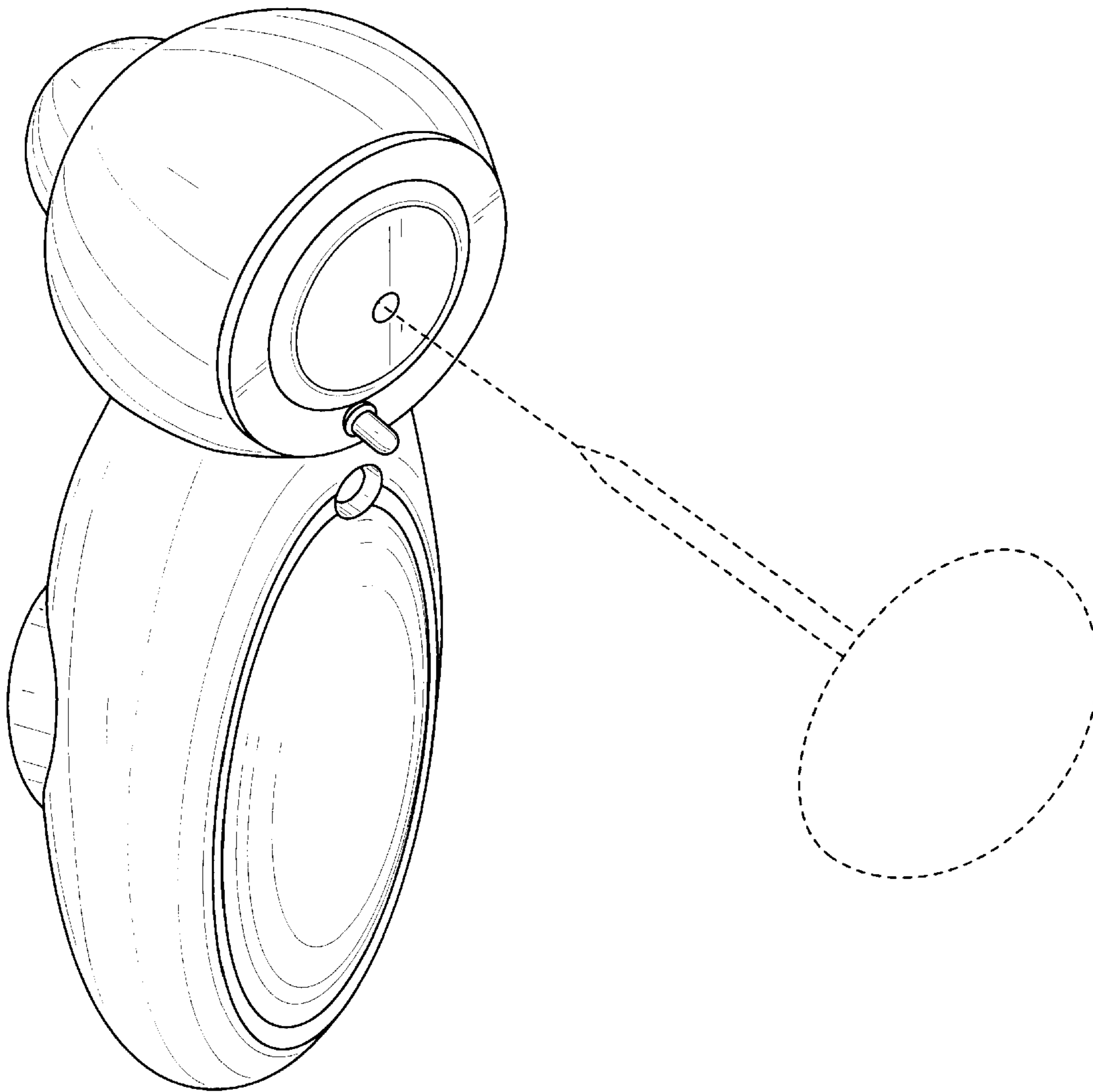


FIG. 8

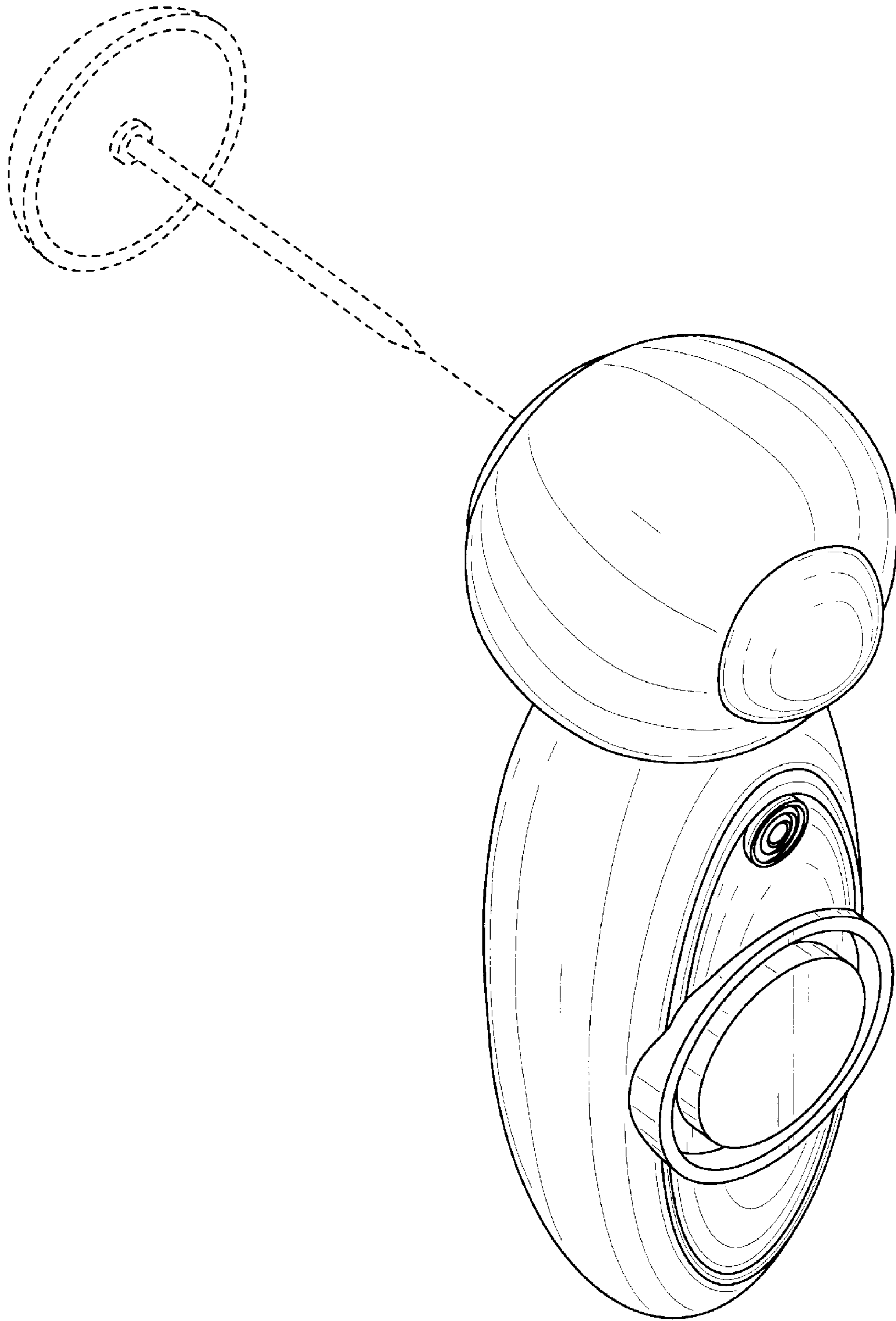


FIG. 9