

US00D624446S

(12) **United States Design Patent**
Chen et al.

(10) **Patent No.:** **US D624,446 S**
(45) **Date of Patent:** **** Sep. 28, 2010**

- (54) **SCAN TOOL**
- (75) Inventors: **Ieon Chen**, Laguna Hills, CA (US);
John Protti, Long Beach, CA (US)
- (73) Assignee: **Innova Electronics Corporation**,
Fountain Valley, CA (US)
- (**) Term: **14 Years**
- (21) Appl. No.: **29/354,854**
- (22) Filed: **Jan. 29, 2010**
- (51) **LOC (9) Cl.** **10-04**
- (52) **U.S. Cl.** **D10/78**
- (58) **Field of Classification Search** D10/78;
D14/203.3, 203.7, 341, 346, 347, 138 AA,
D14/507, 426; 324/76.12, 426, 500; 340/438,
340/439; 701/24, 29-35; 702/119, 123,
702/182, 183; 714/E11.207; 717/136, 142,
717/143

See application file for complete search history.

(56) **References Cited**

U.S. PATENT DOCUMENTS

D359,040 S	6/1995	Nakamura et al.	
5,541,840 A	7/1996	Gurne et al.	
5,875,413 A	2/1999	Vinci	
D433,017 S	10/2000	Martinez	
6,181,992 B1	1/2001	Gurne et al.	
D439,898 S	4/2001	Ober et al.	
D467,918 S	12/2002	Fitch et al.	
D469,367 S	1/2003	Mirabelli et al.	
D475,033 S	5/2003	Lehtonen	
6,687,584 B2	2/2004	Andreasen et al.	
D498,475 S	11/2004	Byun	
D499,034 S *	11/2004	Bras et al.	D10/78
6,988,053 B2	1/2006	Namaky	
7,073,714 B2	7/2006	Namaky et al.	

7,085,680 B2	8/2006	Huang	
RE39,619 E	5/2007	Andreasen et al.	
D558,621 S	1/2008	Rich et al.	
D560,129 S	1/2008	Rich et al.	
D560,527 S	1/2008	Rich et al.	
D563,249 S *	3/2008	Chen	D10/78
D570,717 S *	6/2008	Elrod	D10/78
7,437,227 B2	10/2008	Andreasen et al.	
7,464,000 B2	12/2008	Huang	
D587,150 S *	2/2009	Mertens	D10/78
7,505,837 B2 *	3/2009	Somos	701/29
D610,586 S *	2/2010	Chen	D14/426
2003/0060953 A1	3/2003	Chen	
2003/0125851 A1	7/2003	Andreasen et al.	
2004/0016804 A1	1/2004	Namaky et al.	

* cited by examiner

Primary Examiner—Antoine D Davis

(74) *Attorney, Agent, or Firm*—Stetina Brunda Garred & Brucker

(57) **CLAIM**

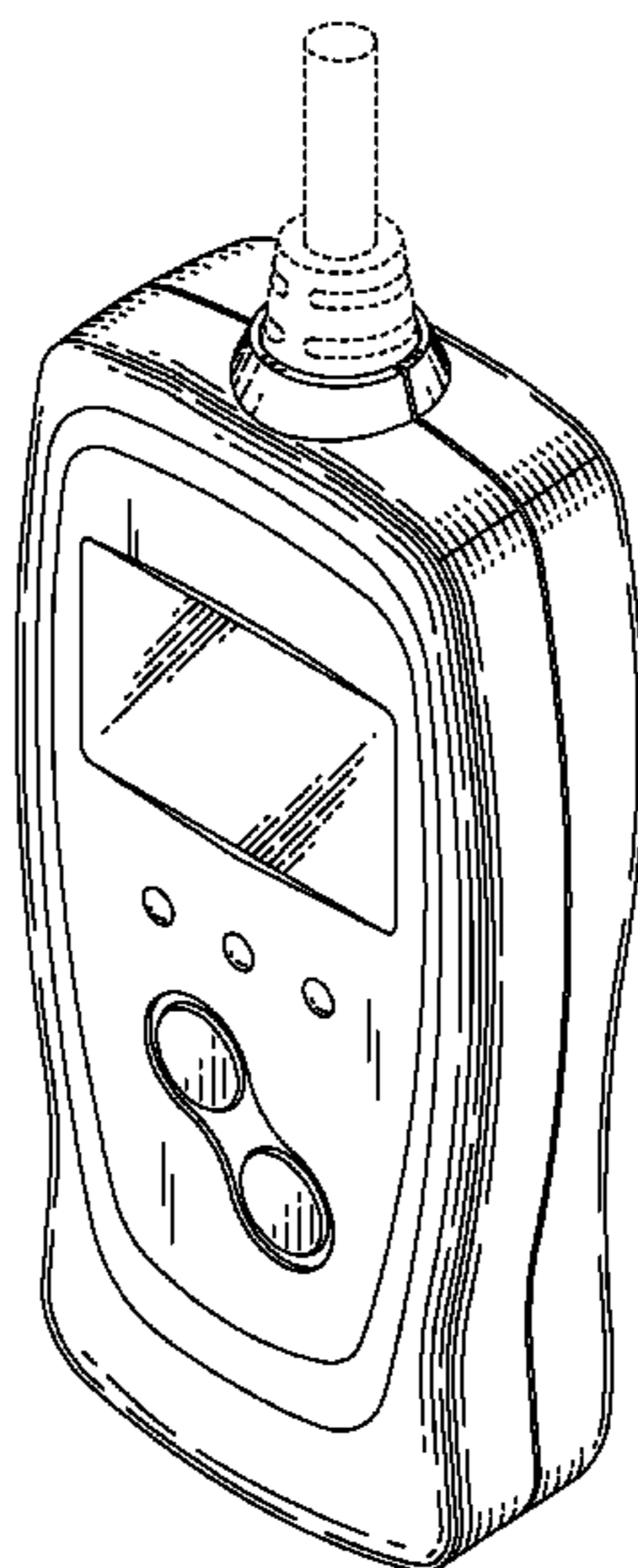
The ornamental design for a scan tool, as shown and described.

DESCRIPTION

FIG. 1 is a front perspective view of the invention;
FIG. 2 is a top view of the invention;
FIG. 3 is a front view of the invention;
FIG. 4 is a side view of the invention;
FIG. 5 is a rear view of the invention; and,
FIG. 6 is a bottom view of the invention.

The broken line showing of structural feature is included for the purpose of illustrating non-claimed subject matter and forms no part of the claimed design.

1 Claim, 3 Drawing Sheets



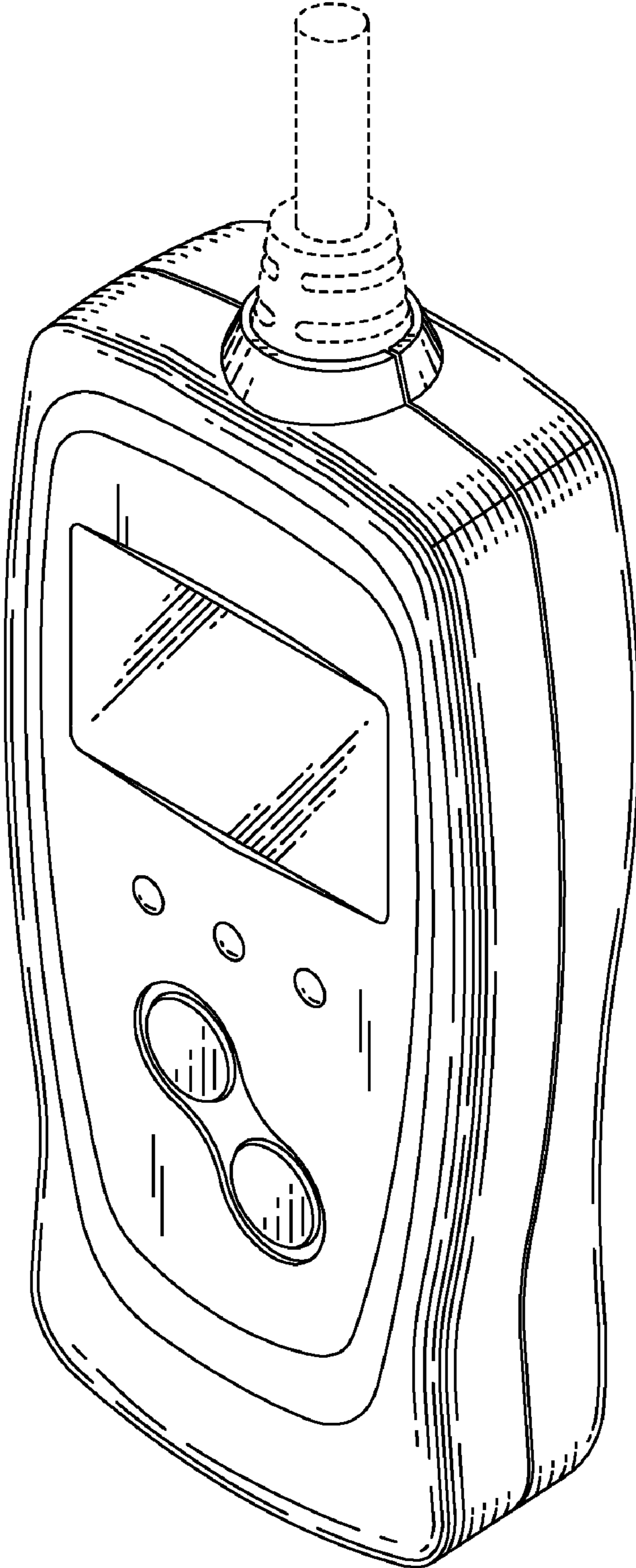


Fig. 1

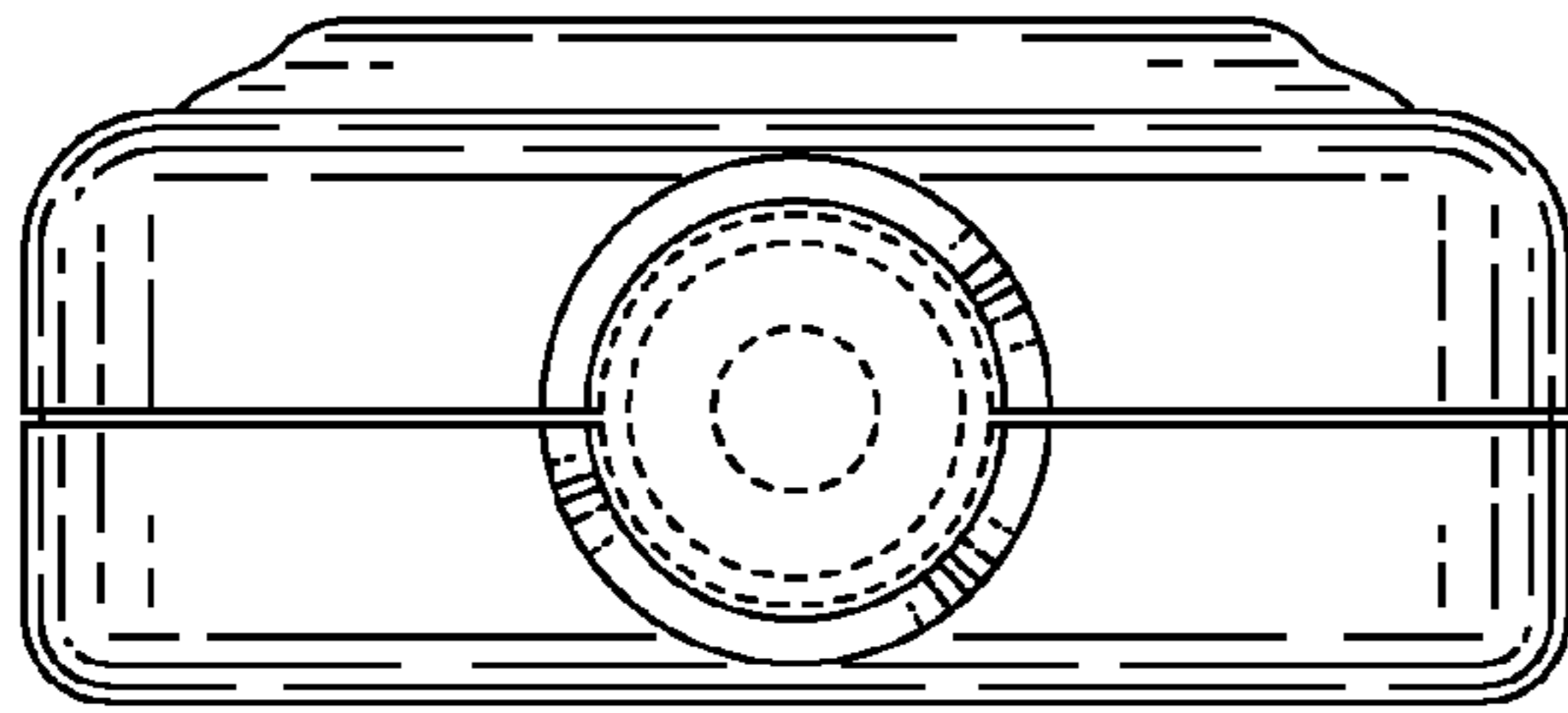


Fig. 2

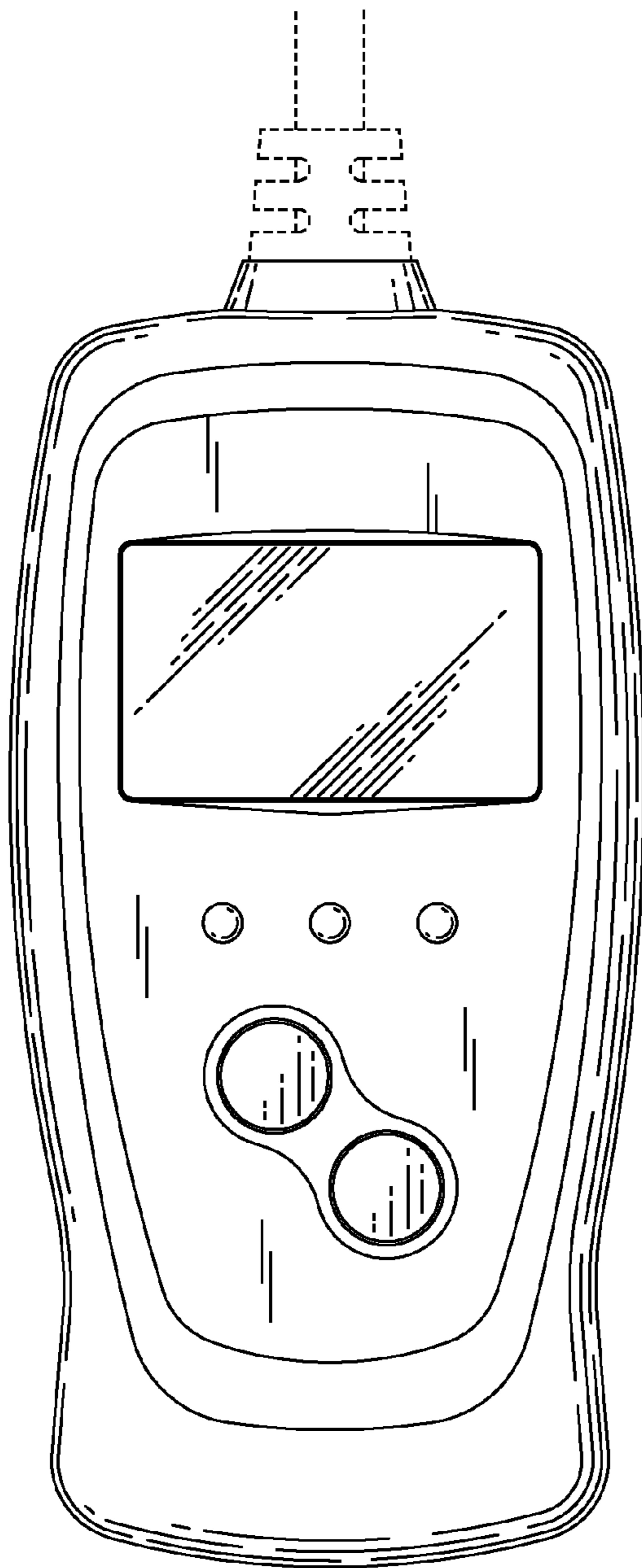


Fig. 3

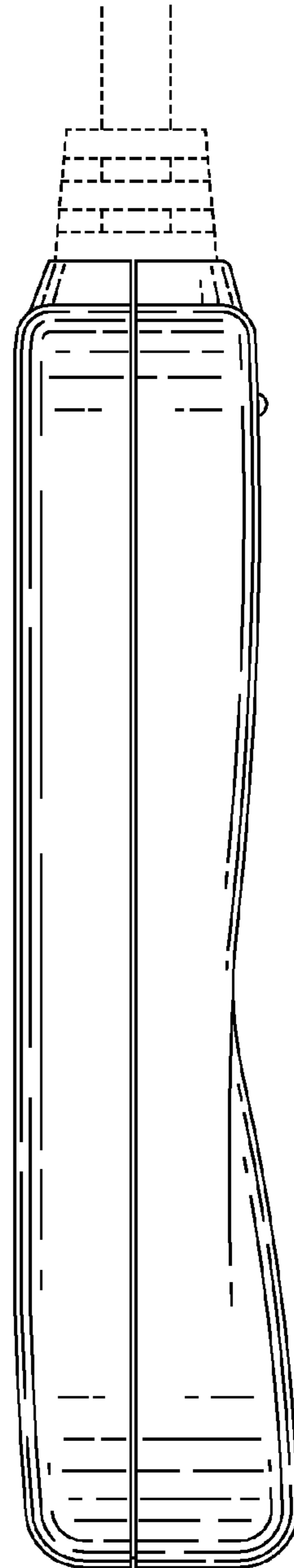


Fig. 4

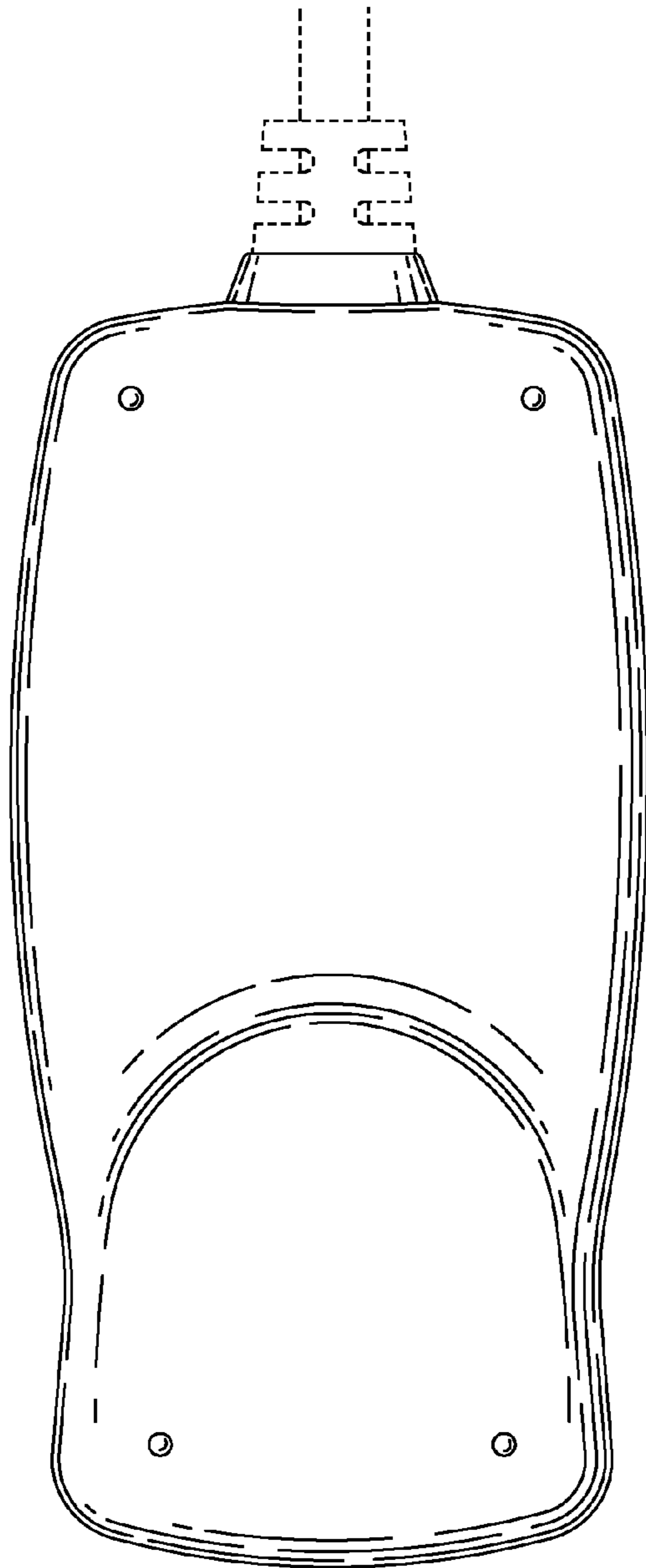


Fig. 5

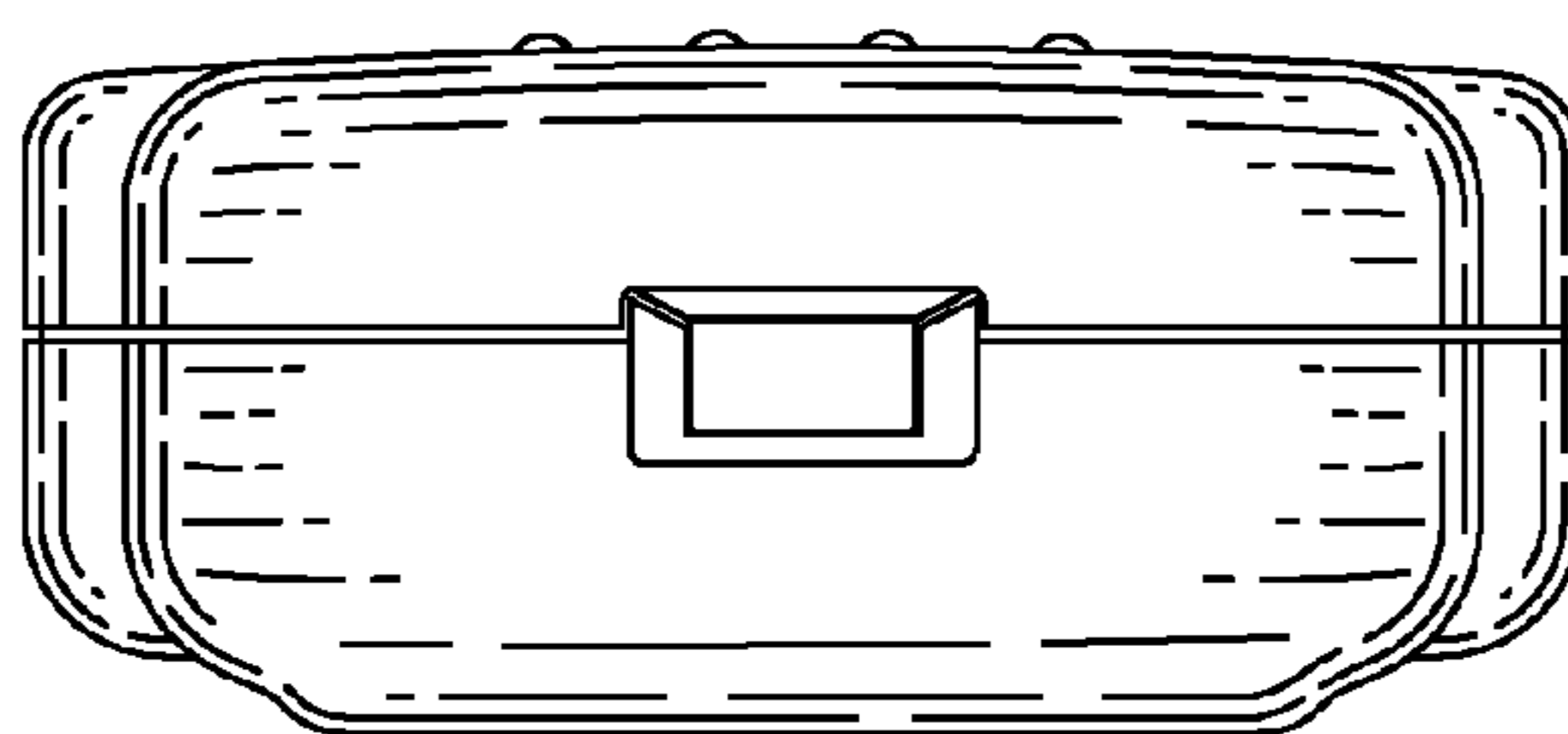


Fig. 6