



US00D624444S

(12) **United States Design Patent**
Fenner

(10) **Patent No.:** **US D624,444 S**

(45) **Date of Patent:** **** Sep. 28, 2010**

(54) **MEASURING CUPS**

(76) **Inventor:** **Adam K. Fenner**, 622 Gene Autry La.,
Murphy, TX (US) 75094

(**) **Term:** **14 Years**

(21) **Appl. No.:** **29/355,949**

(22) **Filed:** **Feb. 17, 2010**

(51) **LOC (9) Cl.** **10-04**

(52) **U.S. Cl.** **D10/46.2**

(58) **Field of Classification Search** D10/46.2-46.3;
D7/505, 543, 545, 587, 590, 600.1, 601, 300,
D7/637-638, 688, 691, 693, 368, 213; 73/426-429;
30/324-328; 294/55

See application file for complete search history.

(56) **References Cited**

U.S. PATENT DOCUMENTS

1,760,761	A *	5/1930	March	312/351
D243,500	S	3/1977	Cooper		
D243,573	S	3/1977	Flaherty		
D255,530	S	6/1980	Daenen et al.		
4,261,468	A *	4/1981	Krebs	206/538
D259,460	S	6/1981	Daenen et al.		
D259,461	S	6/1981	Daenen et al.		
D259,462	S	6/1981	Daenen et al.		
4,314,650	A *	2/1982	Cillario	220/23.83
D268,158	S	3/1983	Doyel		
D272,704	S	2/1984	Smith		
D274,981	S	8/1984	Hoyt		
D275,063	S	8/1984	Greene		
D292,381	S	10/1987	Kowollik et al.		
D292,492	S	10/1987	Ross et al.		
D293,770	S	1/1988	Ross et al.		
D294,213	S	2/1988	Chasen		
D302,920	S	8/1989	Ancona et al.		
D303,055	S	8/1989	Prindle		
D304,277	S	10/1989	Wolff et al.		
D304,301	S	10/1989	Moss et al.		
D305,846	S *	2/1990	Griffith	D7/555
D316,369	S	4/1991	Thompson		
D320,942	S *	10/1991	Lillelund et al.	D9/456
D321,328	S	11/1991	Duquet		

D330,863	S	11/1992	Green		
D333,594	S *	3/1993	Lin	D7/638
D343,129	S	1/1994	Farley		
D355,735	S *	2/1995	Shaffer et al.	D32/53
D394,217	S	5/1998	Laib		
D395,245	S	6/1998	La Gro		
D404,663	S	1/1999	Prindle		
D412,448	S	8/1999	Bentson		
D413,044	S *	8/1999	Zappolo	D7/587
D431,478	S	10/2000	Fortier		
D437,793	S	2/2001	Kaposi et al.		
D440,501	S	4/2001	Dorion et al.		
D450,605	S	11/2001	Wright		

(Continued)

OTHER PUBLICATIONS

Picture of Nest eight-piece bowl set; on sale at least as of Aug. 14, 2008 (1 page).

(Continued)

Primary Examiner—Ian Simmons
Assistant Examiner—Dana L Sipos
(74) *Attorney, Agent, or Firm*—Gardere Wynne Sewell LLP;
Marc A. Hubbard

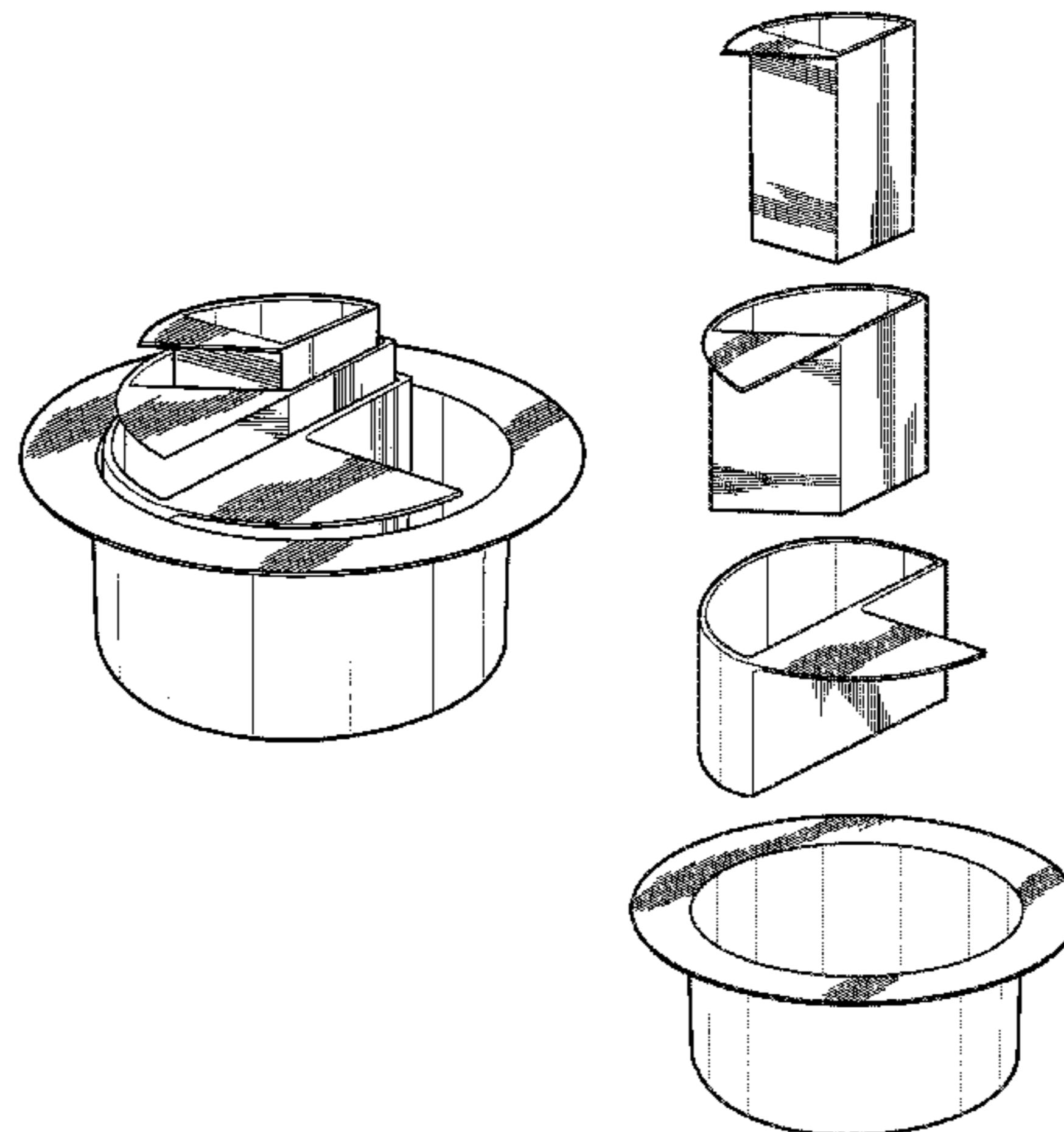
(57) **CLAIM**

The ornamental design for measuring cups, as shown and described.

DESCRIPTION

FIG. 1 is a top perspective view of measuring cups showing my new design;
FIG. 2 is an exploded top perspective view thereof;
FIG. 3 is a top plan view thereof;
FIG. 4 is a bottom plan view thereof;
FIG. 5 is a front elevation view thereof;
FIG. 6 is a right side elevation view thereof;
FIG. 7 is a rear elevation view thereof; and,
FIG. 8 is a left side elevation view thereof.

1 Claim, 4 Drawing Sheets



US D624,444 S

Page 2

U.S. PATENT DOCUMENTS

D461,420 S 8/2002 Kerman
D473,148 S 4/2003 Kleckauskas et al.
D486,745 S 2/2004 Mastroianni
D495,964 S 9/2004 Overthun et al.
D515,874 S * 2/2006 Aalberts D7/590
D518,391 S 4/2006 McGuyer
D518,392 S 4/2006 Kaposi
D521,398 S 5/2006 DiPietro et al.
D522,887 S 6/2006 Hutzler
D530,632 S 10/2006 Kaposi
D532,167 S 11/2006 Jung et al.
D532,321 S 11/2006 Heiligenstein et al.
D544,378 S 6/2007 Curtin
D548,114 S 8/2007 Sawhney et al.
D562,159 S 2/2008 Griffith at al.
D571,674 S 6/2008 Carallo
D577,615 S 9/2008 Markfelder
D580,798 S 11/2008 Barber

D580,799 S 11/2008 Curtin
D582,798 S 12/2008 Mantilla et al.
D584,174 S 1/2009 Jalet
D584,967 S 1/2009 Shamoon
D588,947 S 3/2009 Curtin
D591,149 S * 4/2009 Bonner et al. D9/434

OTHER PUBLICATIONS

Picture of Zak set of four measuring cups; on sale at least as of Apr. 13, 2007 (1 page).
Picture of DCI Flower measuring spoons; on sale at least as of Feb. 1, 2009 (1 page).
Picture of progressive silicone measuring bowl set; on sale at least as of Feb. 1, 2009 (1 page).
Picture of Starfit collapsible funnel and measuring cup six-piece set; on sale at least as of Feb. 1, 2009 (1 page).
Picture of Trivial Pursuit board game piece; on sale at least as of Feb. 1, 2009 (1 page).

* cited by examiner

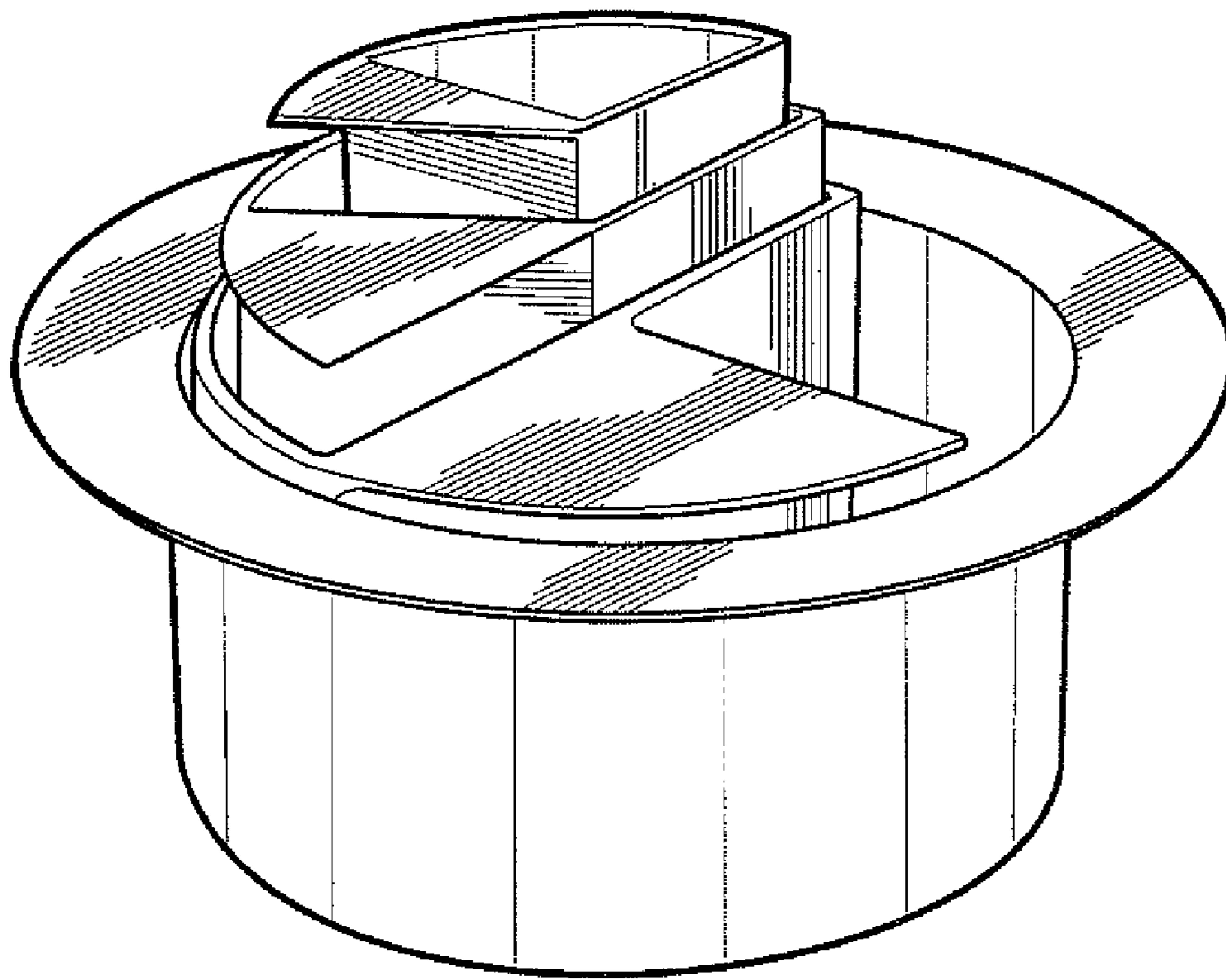
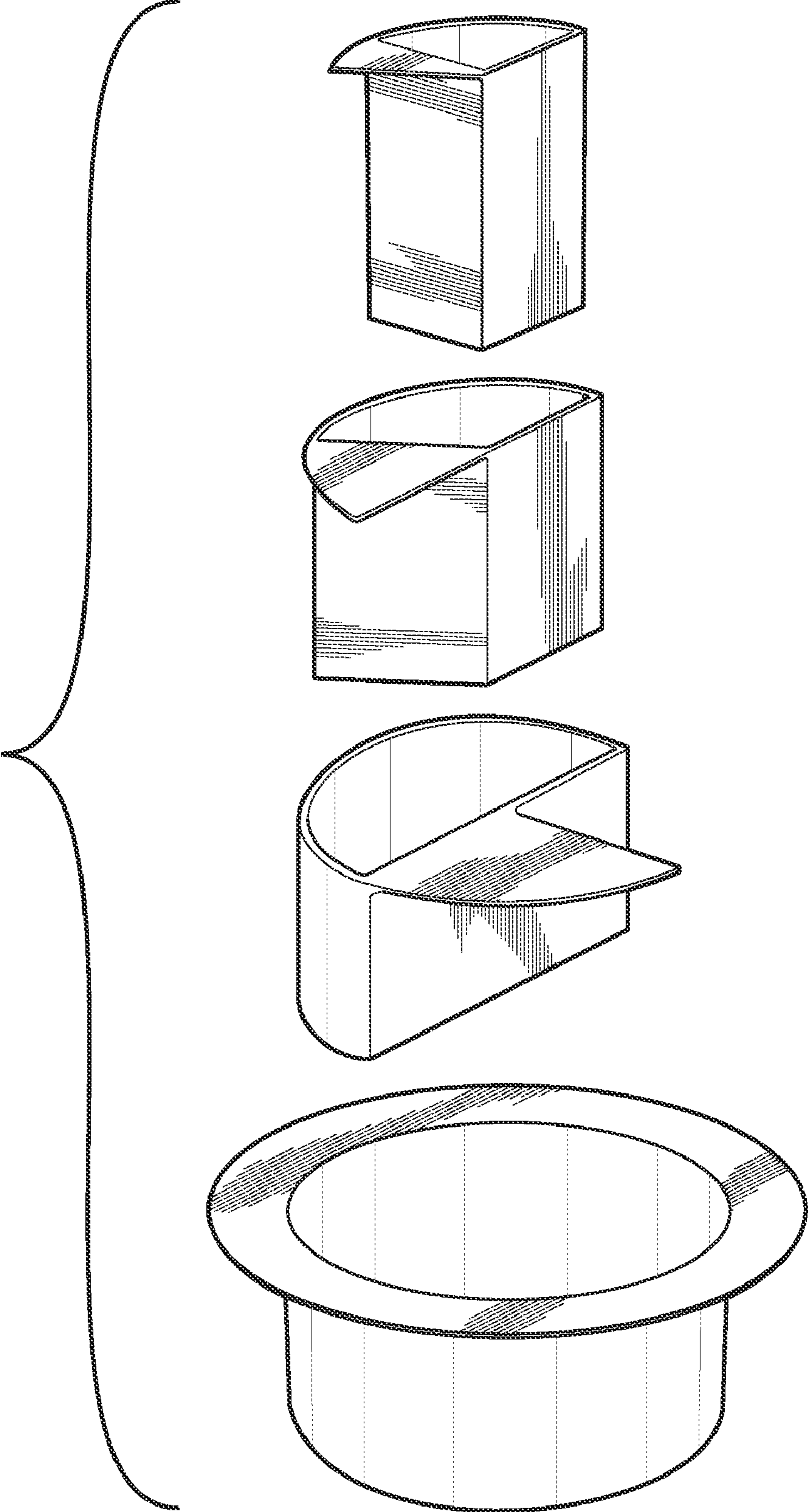


FIG. 1

FIG. 2



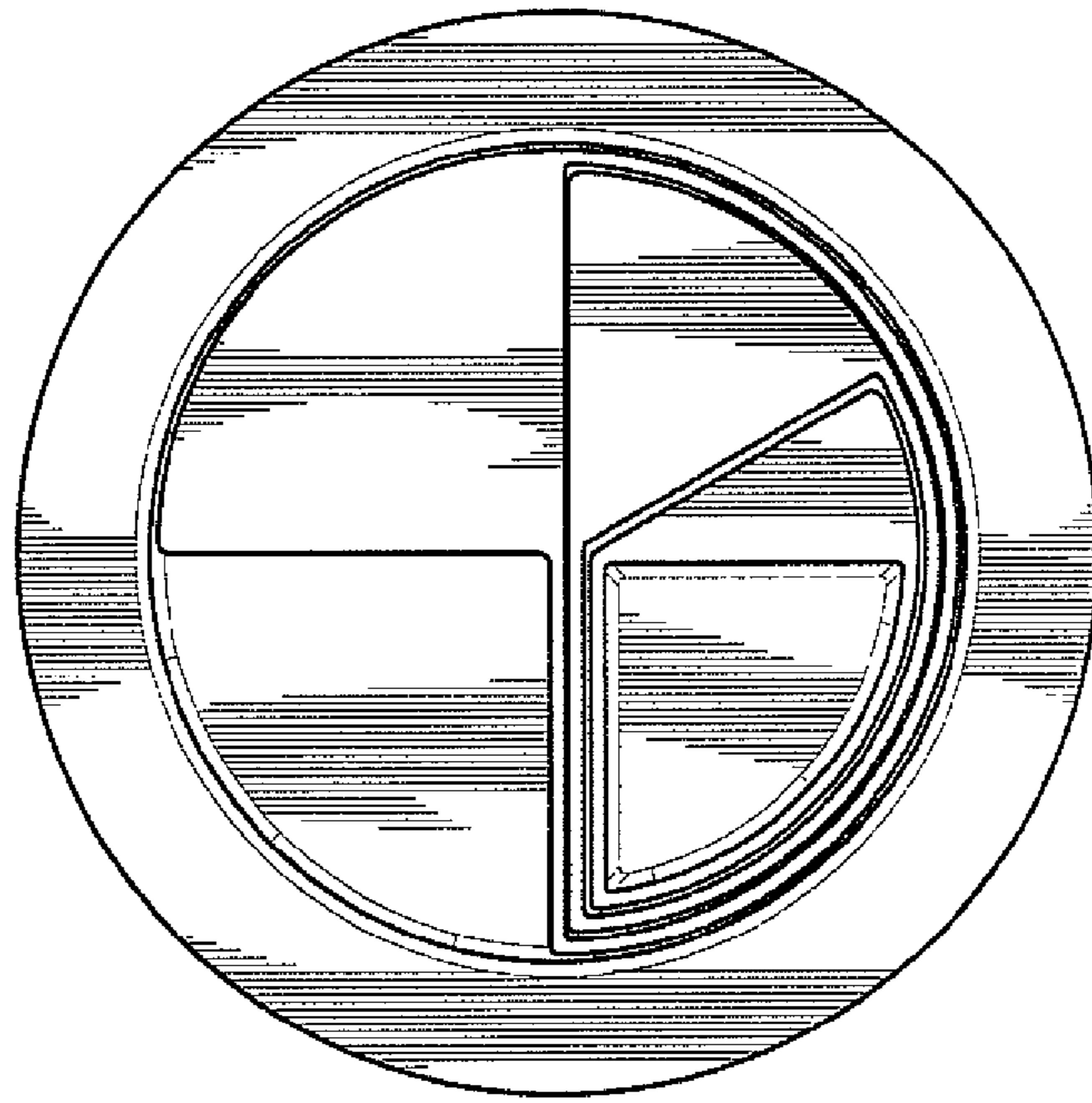


FIG. 3

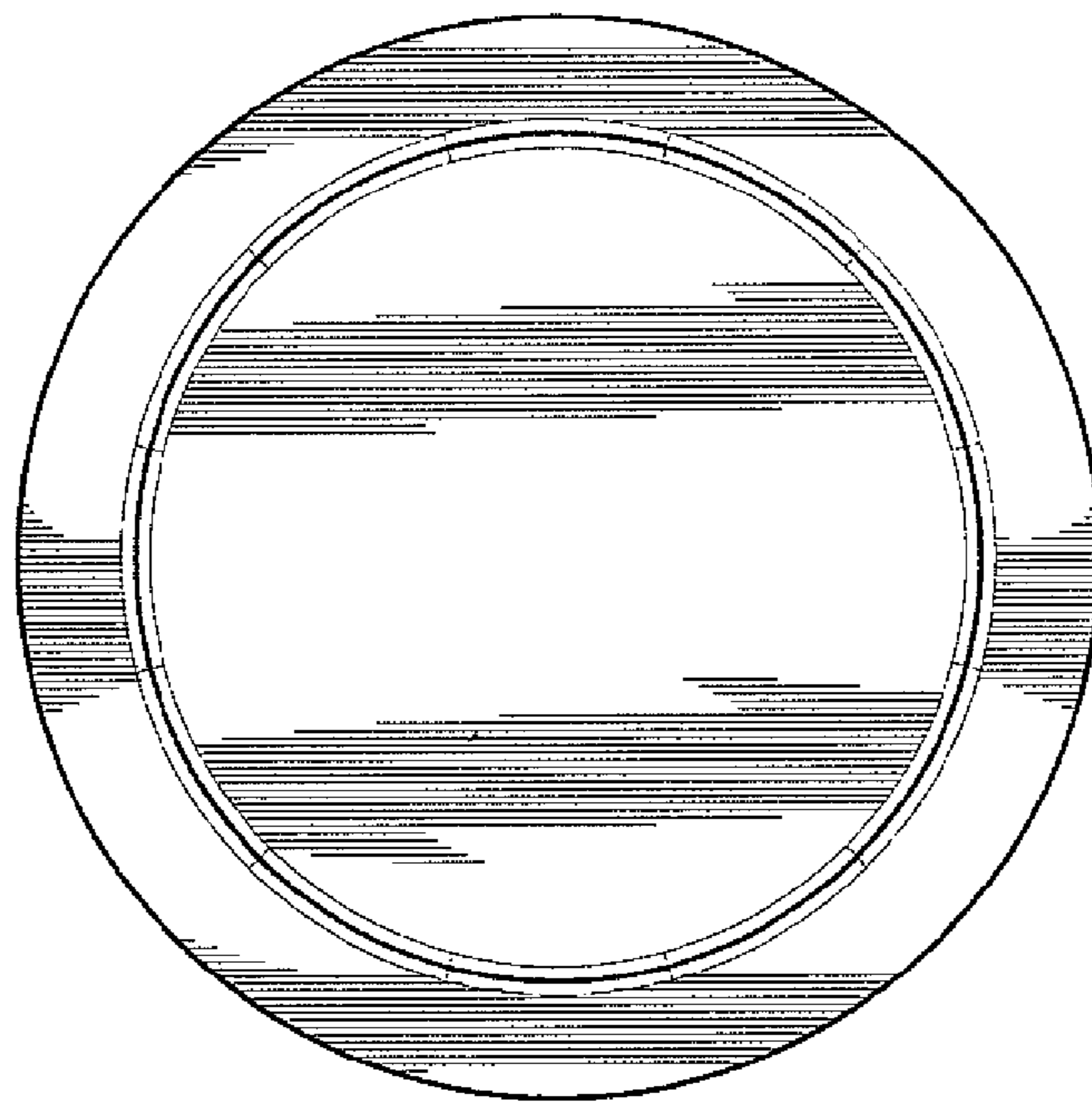


FIG. 4

FIG. 5

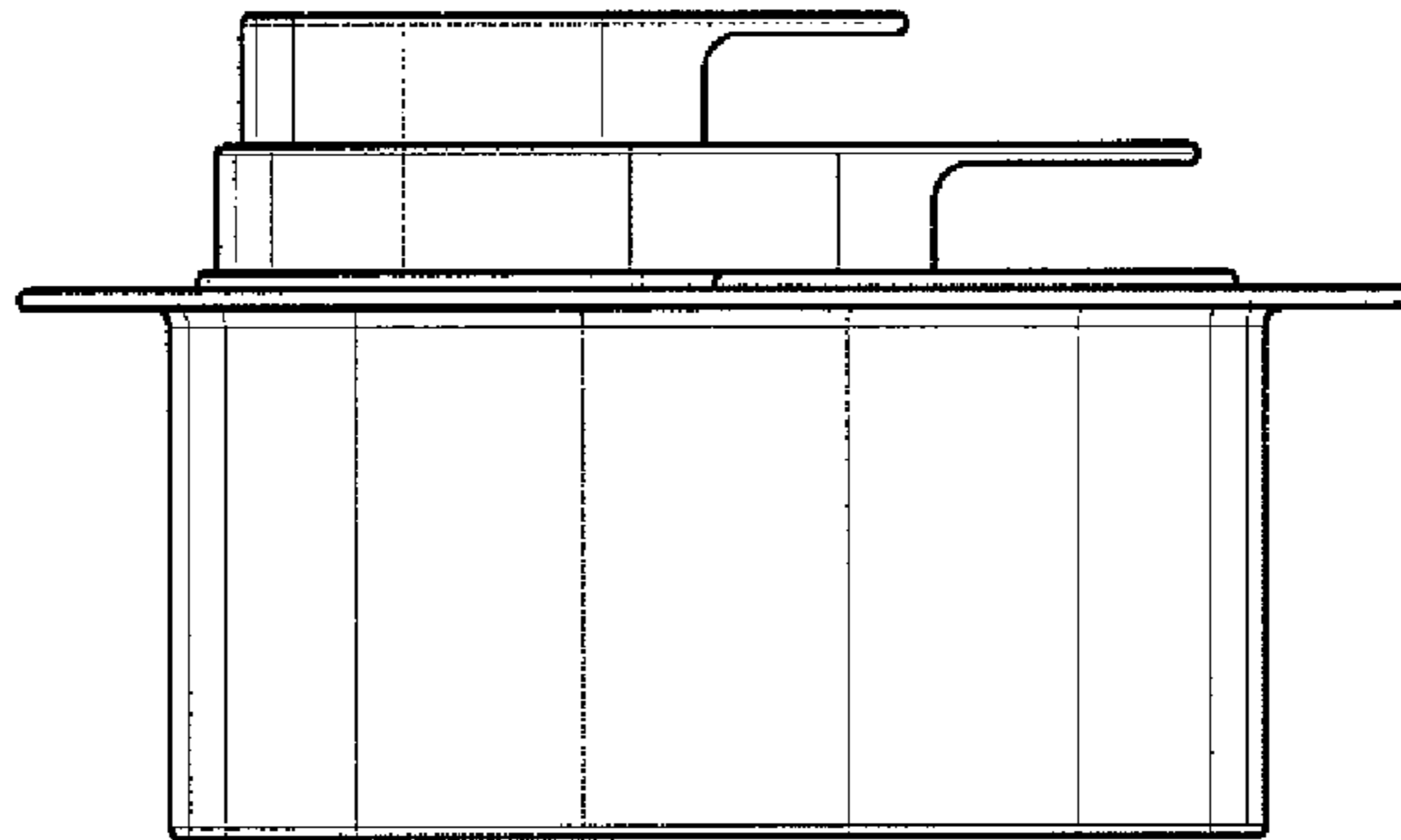


FIG. 6

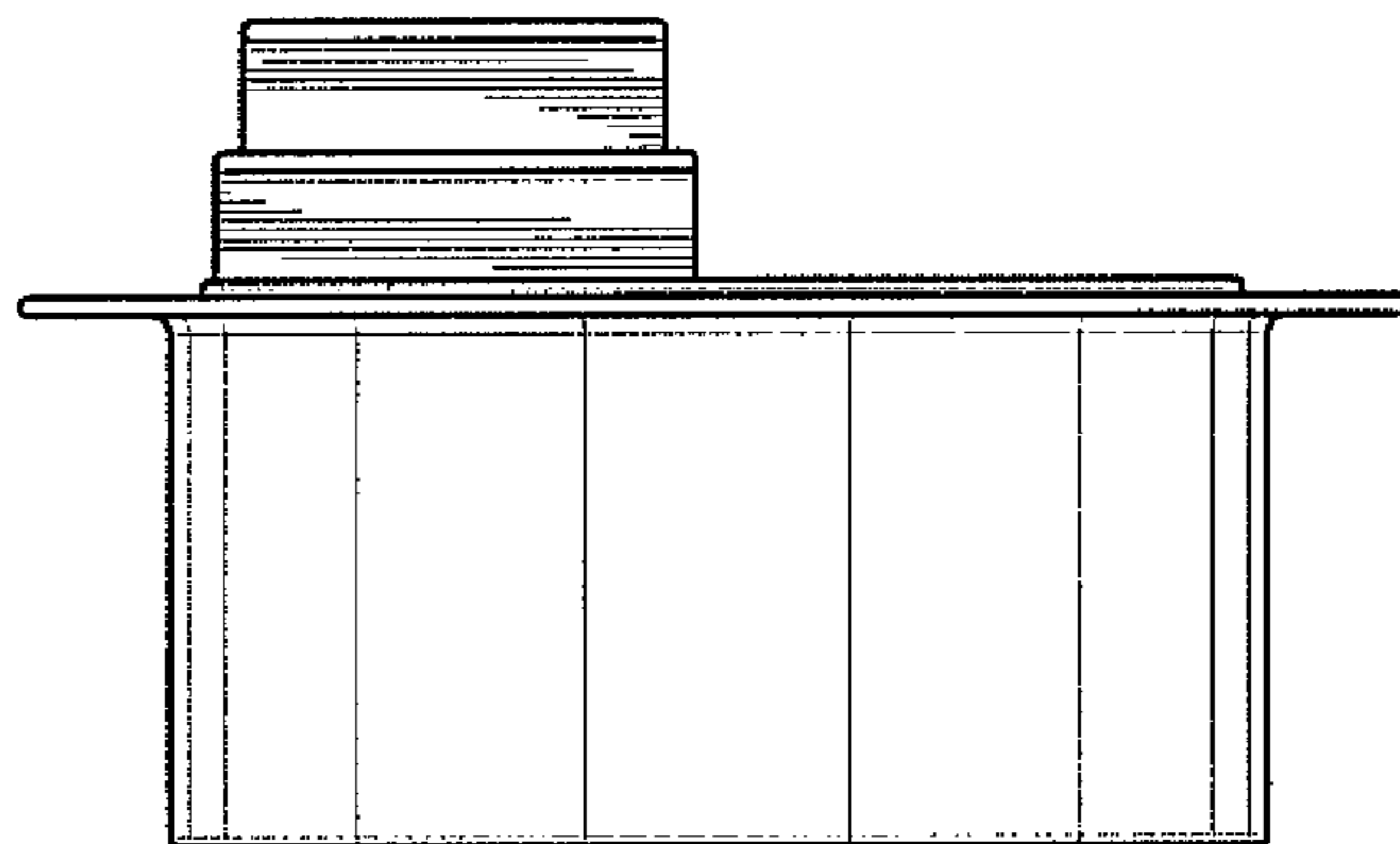


FIG. 7

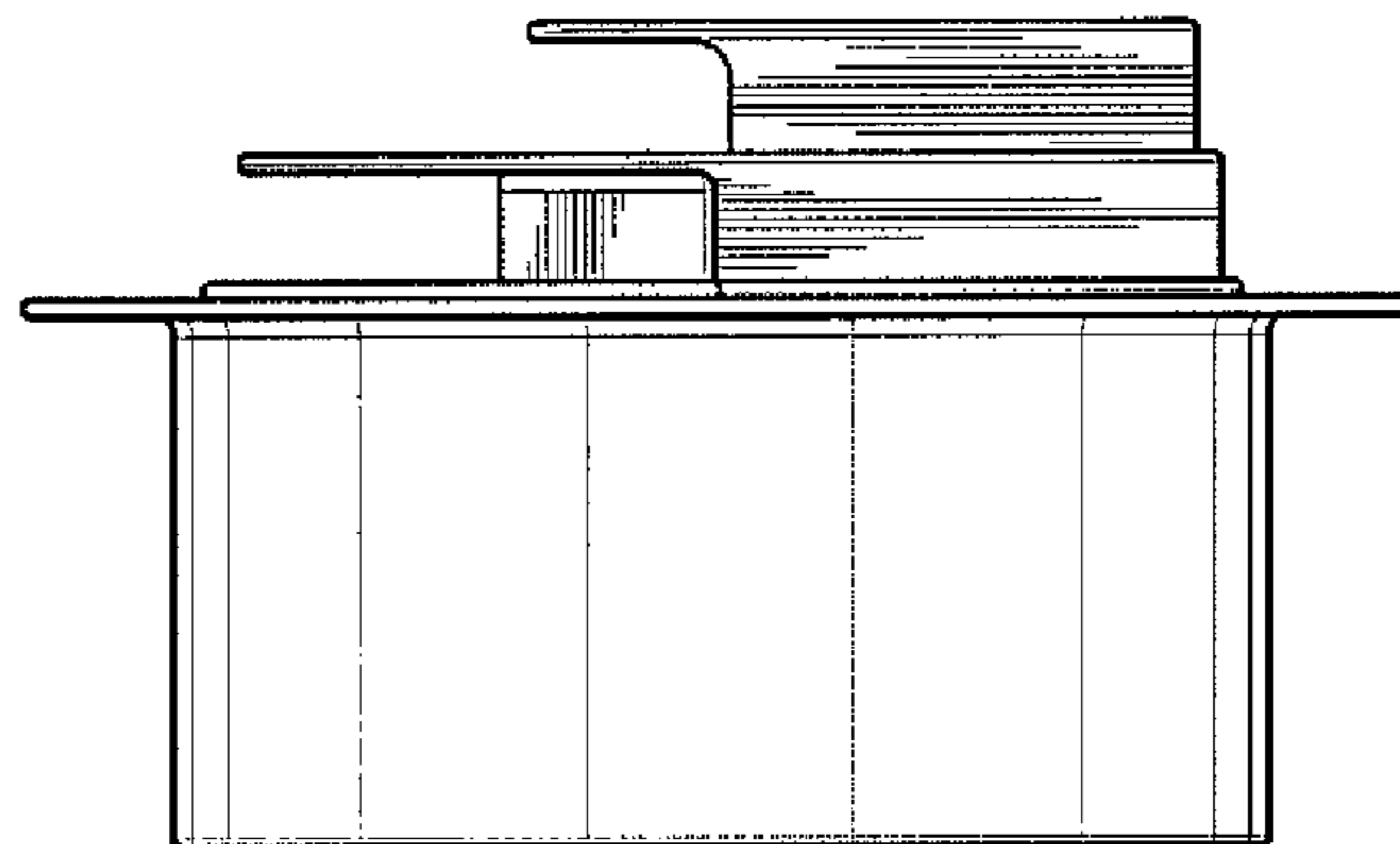


FIG. 8

