



US00D624443S

(12) **United States Design Patent**  
**Cerrato**

(10) **Patent No.:** **US D624,443 S**

(45) **Date of Patent:** **\*\* Sep. 28, 2010**

(54) **WATCH CASE**

(75) Inventor: **Davide Cerrato**, Geneva (CH)

(73) Assignee: **Montres Tudor SA**, Geneva (CH)

(\*\*) Term: **14 Years**

(21) Appl. No.: **29/358,868**

(22) Filed: **Apr. 1, 2010**

**Related U.S. Application Data**

(62) Division of application No. 29/344,235, filed on Sep. 25, 2009.

**Foreign Application Priority Data**

Mar. 25, 2009 (CH) ..... 135968

(51) **LOC (9) Cl.** ..... **10-02**

(52) **U.S. Cl.** ..... **D10/38**

(58) **Field of Classification Search** ..... D10/30-39;  
368/276, 281, 282, 285

See application file for complete search history.

(56) **References Cited**

**U.S. PATENT DOCUMENTS**

6,570,823 B1 \* 5/2003 Gilomen et al. .... 368/113  
D488,724 S \* 4/2004 Bertucci ..... D10/30  
D525,537 S \* 7/2006 Monachon ..... D10/32  
D536,998 S \* 2/2007 Fujihara ..... D10/38

D538,184 S \* 3/2007 Scheufele ..... D10/39  
D551,095 S \* 9/2007 Monachon ..... D10/32  
D555,516 S \* 11/2007 Sugiura ..... D10/31  
D559,123 S \* 1/2008 Modolo ..... D10/32  
D569,276 S \* 5/2008 Scheufele ..... D10/39  
D585,309 S \* 1/2009 Monachon ..... D10/39  
D590,274 S \* 4/2009 Monachon ..... D10/31  
D590,727 S \* 4/2009 Wei ..... D10/38  
D599,680 S \* 9/2009 Schoepfer ..... D10/32  
D608,223 S \* 1/2010 Salanitro ..... D10/38  
D609,586 S \* 2/2010 Bertucci ..... D10/38

\* cited by examiner

*Primary Examiner*—Lucy Lieberman

(74) *Attorney, Agent, or Firm*—Sughrue Mion, PLLC

(57) **CLAIM**

The ornamental design for a watch case, as shown.

**DESCRIPTION**

FIG. 1 is a front and right side perspective view of a watch case showing my new design;

FIG. 2 is a front elevation thereof;

FIG. 3 is a rear elevation thereof;

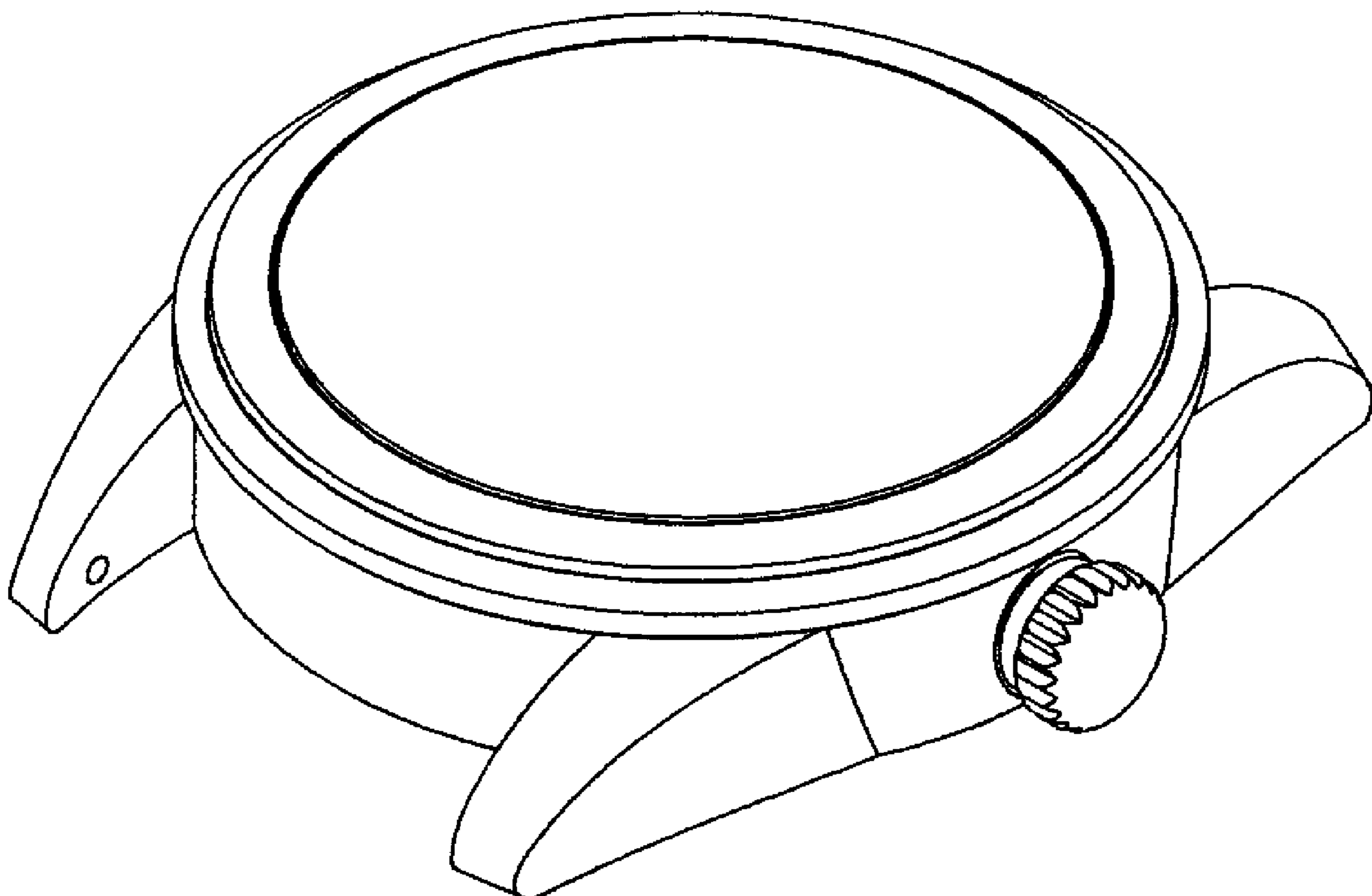
FIG. 4 is a bottom plan view thereof;

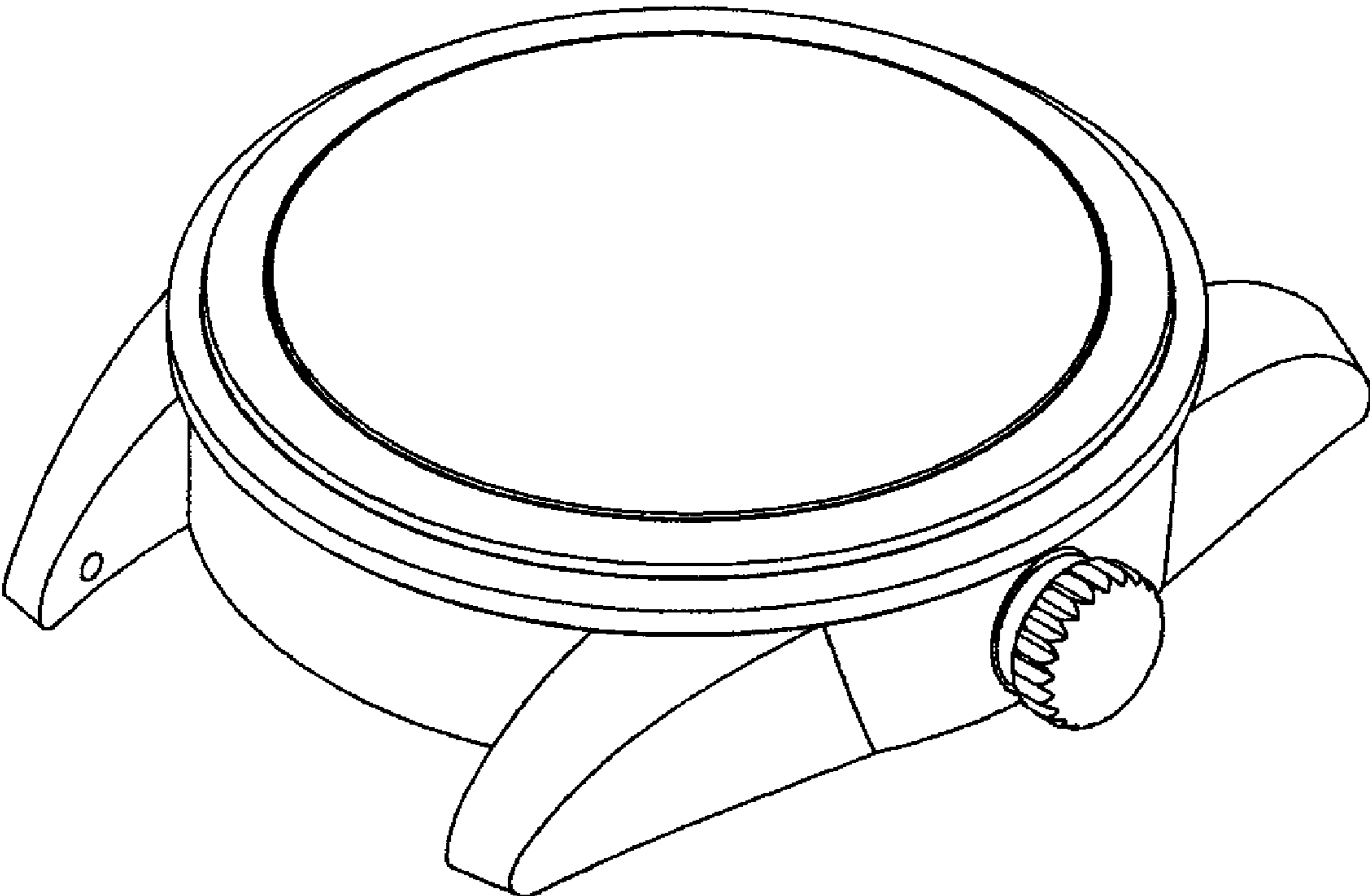
FIG. 5 is a top plan view thereof;

FIG. 6 is a first side view thereof; and,

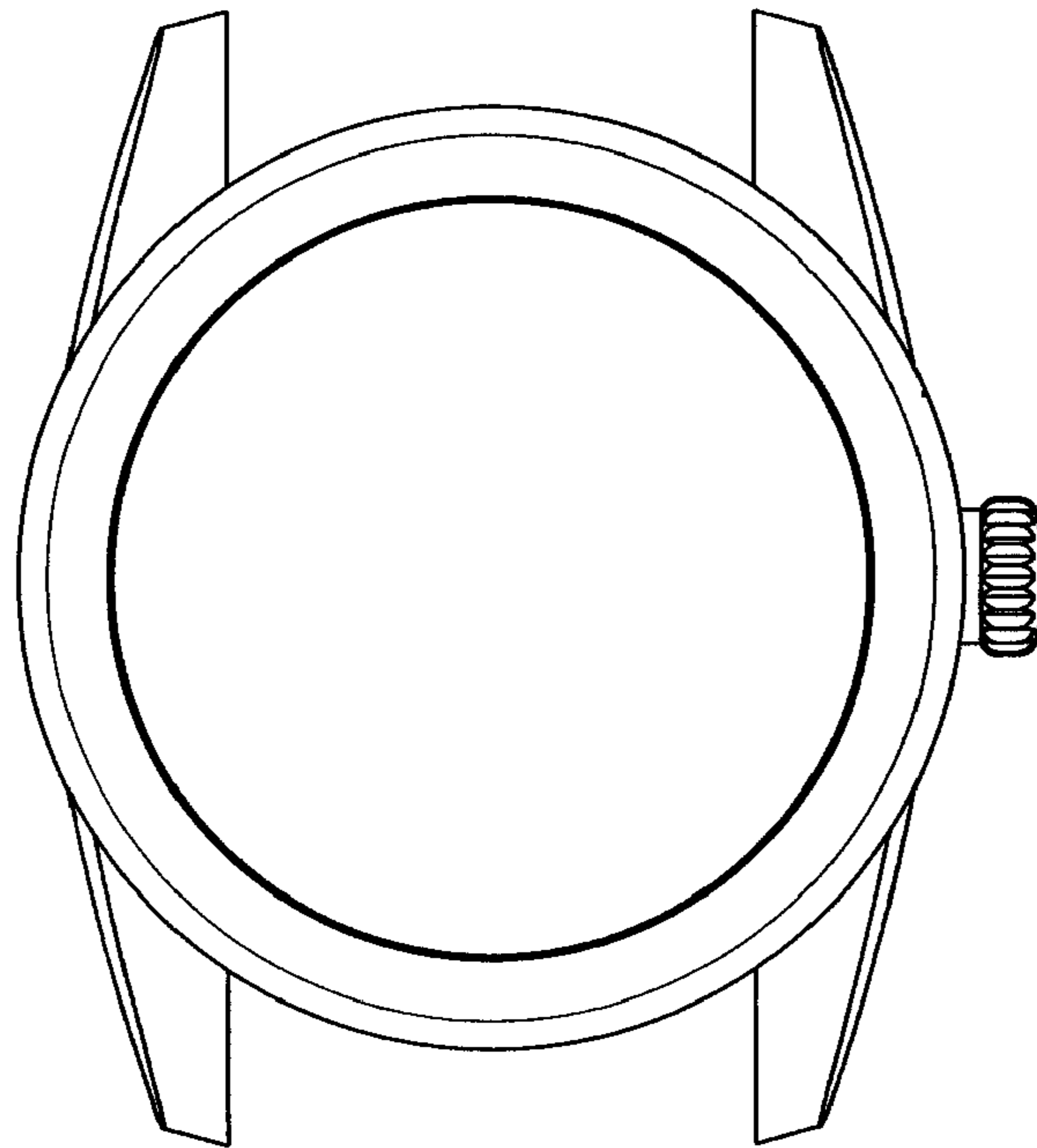
FIG. 7 is a second side view thereof, opposite the first side.

**1 Claim, 4 Drawing Sheets**

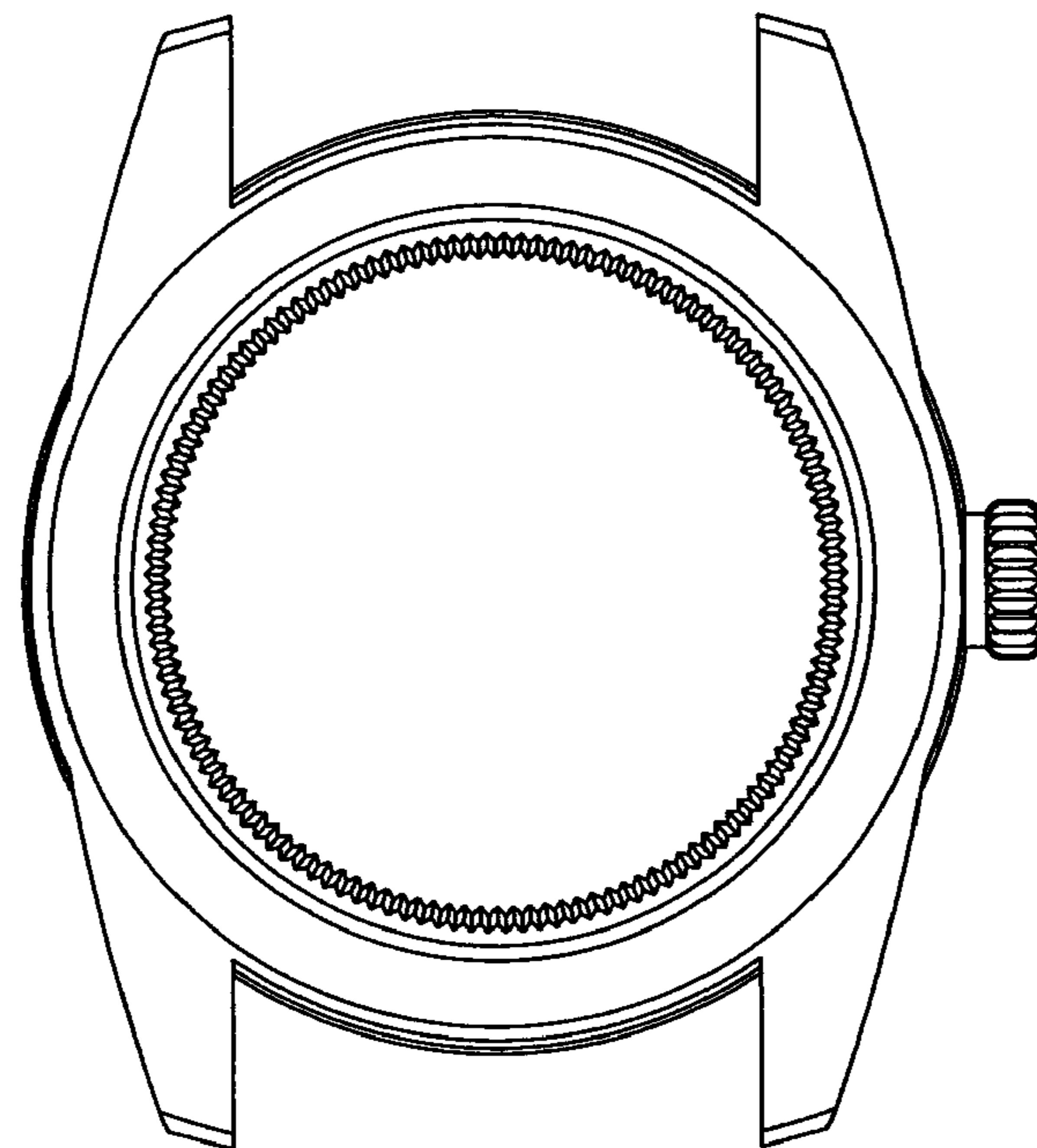




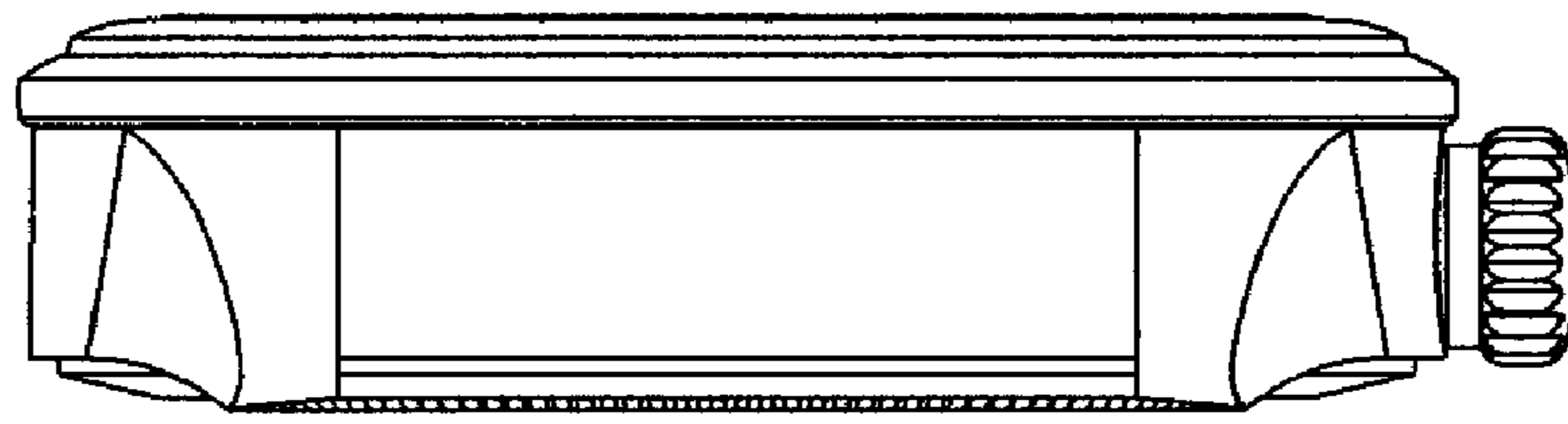
**FIG. 1**



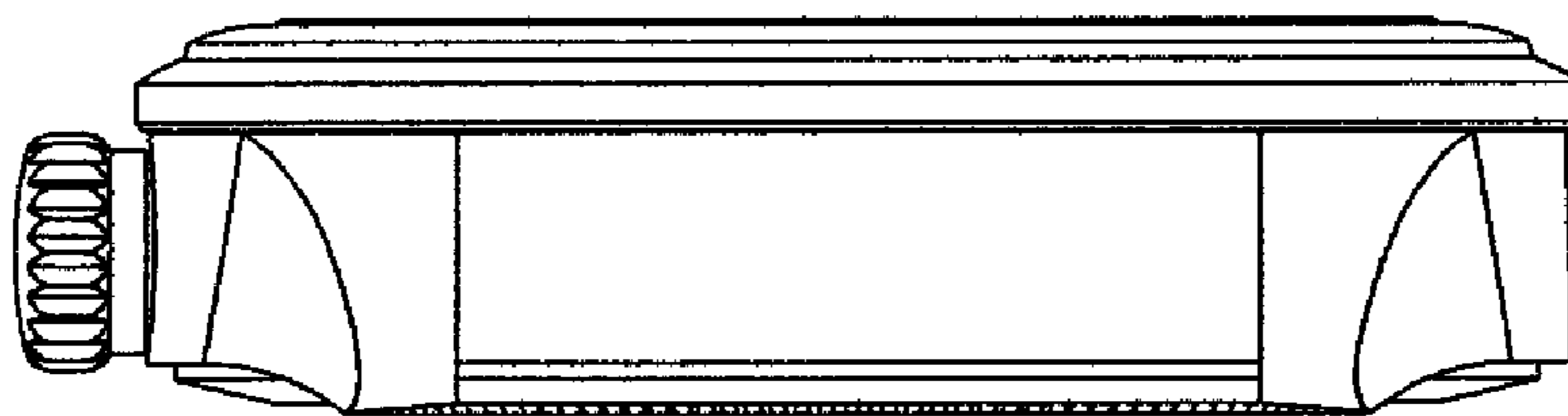
**FIG. 2**



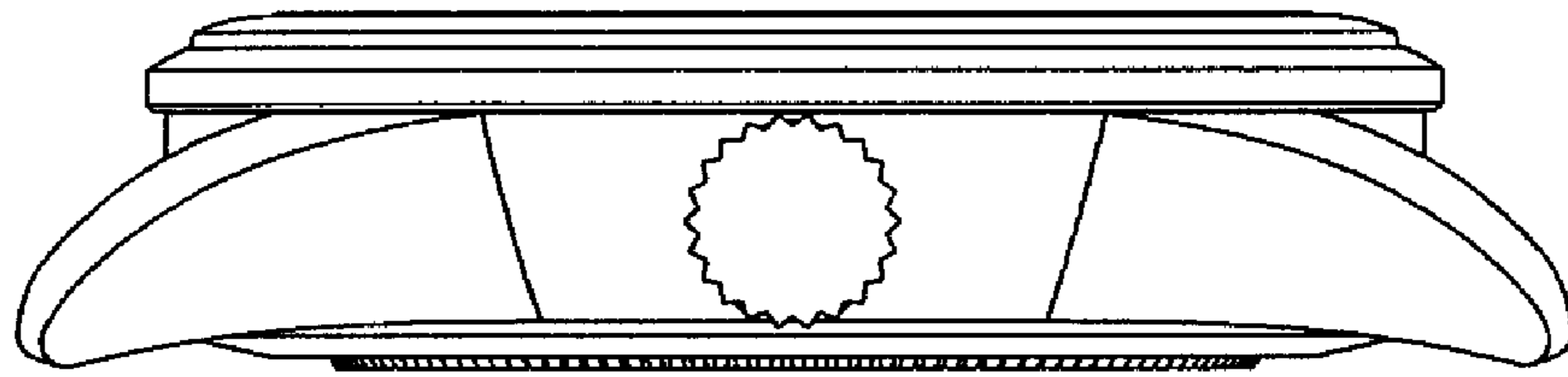
**FIG. 3**



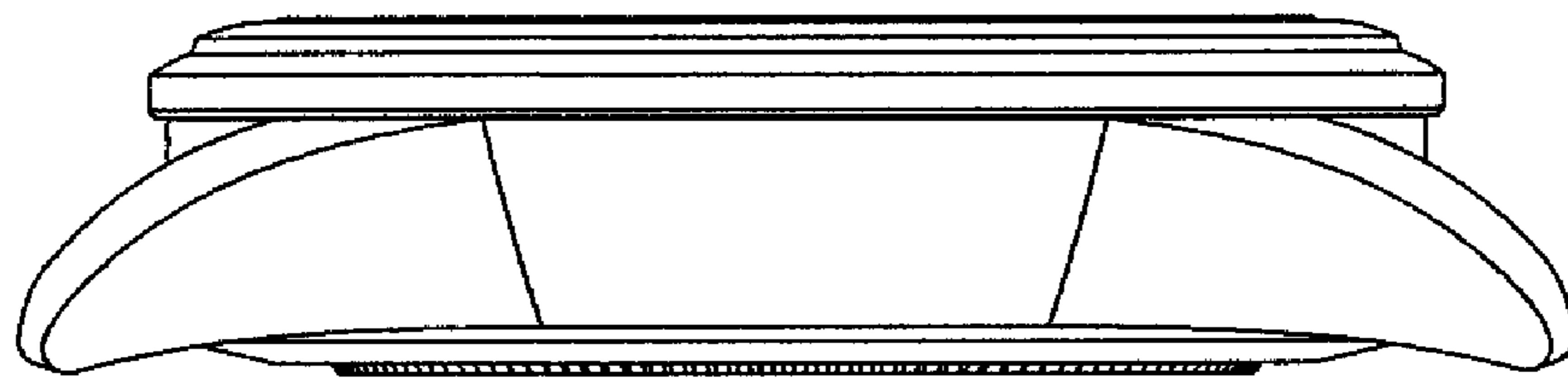
**FIG. 4**



**FIG. 5**



**FIG. 6**



**FIG. 7**