

US00D624442S

(12) **United States Design Patent**  
**Clerc**

(10) **Patent No.:** **US D624,442 S**

(45) **Date of Patent:** **\*\* Sep. 28, 2010**

(54) **WATCH CASE**

(76) **Inventor:** **Gérald Clerc**, 35, Avenue  
Ferdinand-Buisson, 75016 Paris (FR)

(\*\*) **Term:** **14 Years**

(21) **Appl. No.:** **29/356,961**

(22) **Filed:** **Mar. 4, 2010**

(30) **Foreign Application Priority Data**

Sep. 8, 2009 (WO) ..... DM/072 285

(51) **LOC (9) Cl.** ..... **10-02**

(52) **U.S. Cl.** ..... **D10/38**

(58) **Field of Classification Search** ..... D10/30-39;  
368/276, 281, 282, 285

See application file for complete search history.

(56) **References Cited**

**U.S. PATENT DOCUMENTS**

3,901,023	A	*	8/1975	Uebelhardt	.....	368/281
D241,126	S	*	8/1976	Lawrence	.....	D10/38
D327,851	S	*	7/1992	Besson	.....	D10/39
D388,338	S	*	12/1997	Giardiello	.....	D10/39
D394,817	S	*	6/1998	Roales	.....	D10/38
D410,199	S	*	5/1999	Calvani	.....	D10/39
D415,694	S	*	10/1999	Fichter	.....	D10/30
D434,679	S	*	12/2000	Dumas	.....	D10/39
D488,075	S	*	4/2004	Bertucci	.....	D10/30

D488,724	S	*	4/2004	Bertucci	.....	D10/30
D525,537	S	*	7/2006	Monachon	.....	D10/32
D564,909	S	*	3/2008	Kume	.....	D10/38
D566,585	S	*	4/2008	Belamich	.....	D10/39
D577,297	S	*	9/2008	Lalo	.....	D10/32
D582,296	S	*	12/2008	Bertucci	.....	D10/38
D585,309	S	*	1/2009	Monachon	.....	D10/39
D590,727	S	*	4/2009	Wei	.....	D10/38
D606,424	S	*	12/2009	Inoue	.....	D10/39

\* cited by examiner

*Primary Examiner*—Lucy Lieberman

(74) *Attorney, Agent, or Firm*—Young & Thompson

(57) **CLAIM**

The ornamental design for a watch case, as shown and described.

**DESCRIPTION**

FIG. 1 is a top view of the watch case.

FIG. 2 is a bottom view of the watch case.

FIG. 3 is a side view from the right of FIG. 1.

FIG. 4 is a side view from the left of FIG. 1.

FIG. 5 is a side view from the bottom of FIG. 1.

FIG. 6 is a side view from the top of FIG. 1; and,

FIG. 7 is a perspective view of the watch case.

**1 Claim, 1 Drawing Sheet**

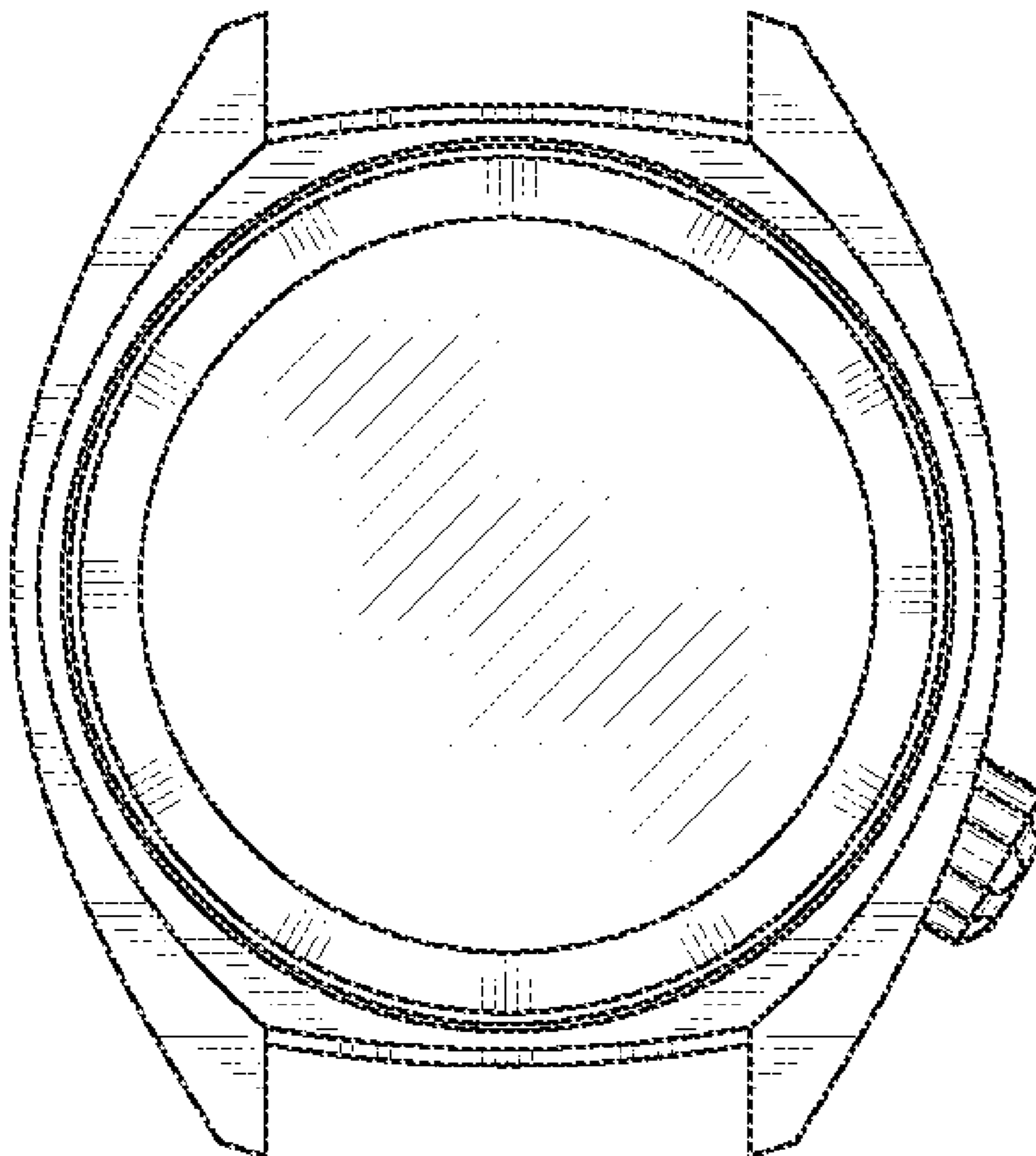


fig.1

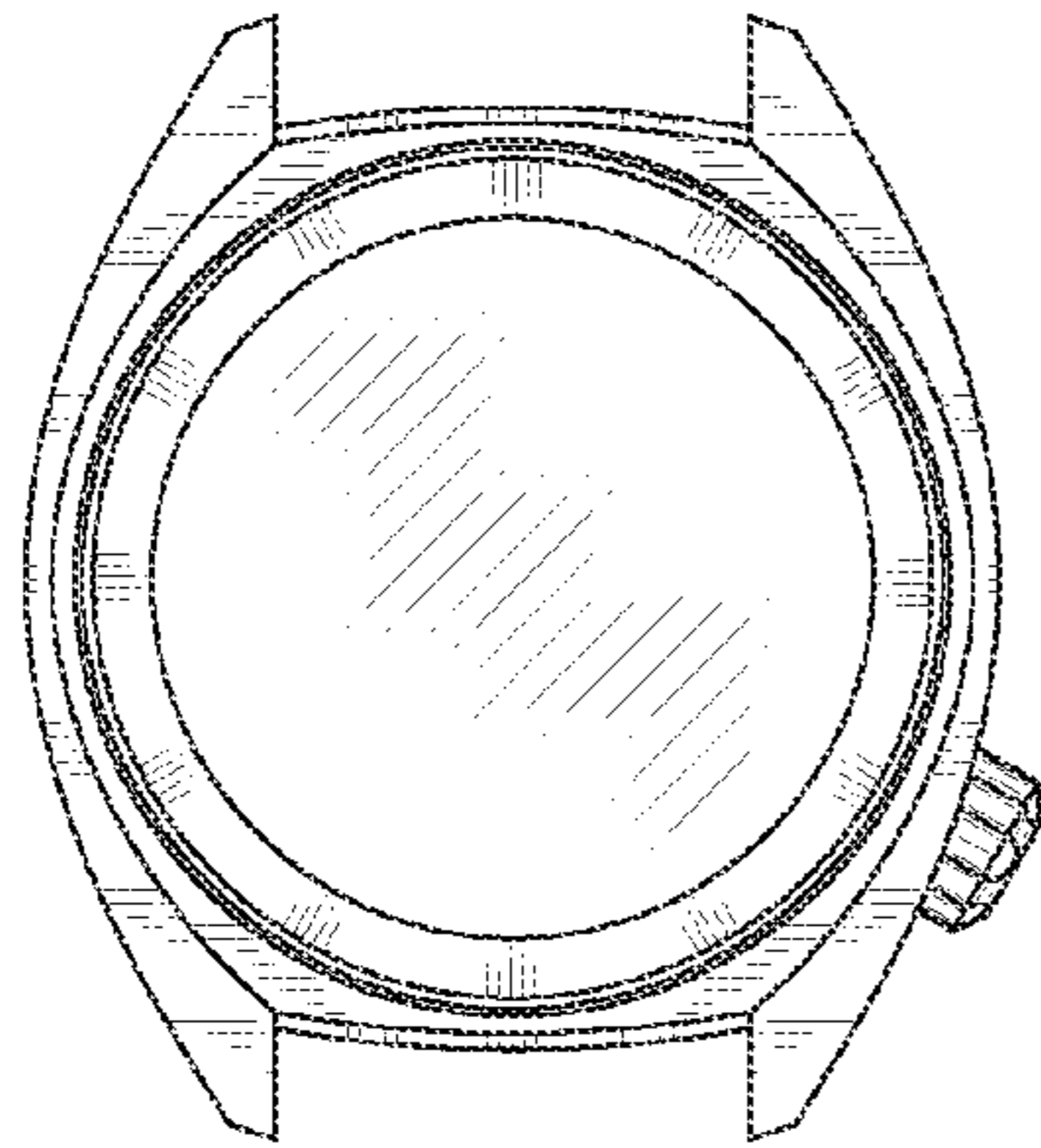


fig.2

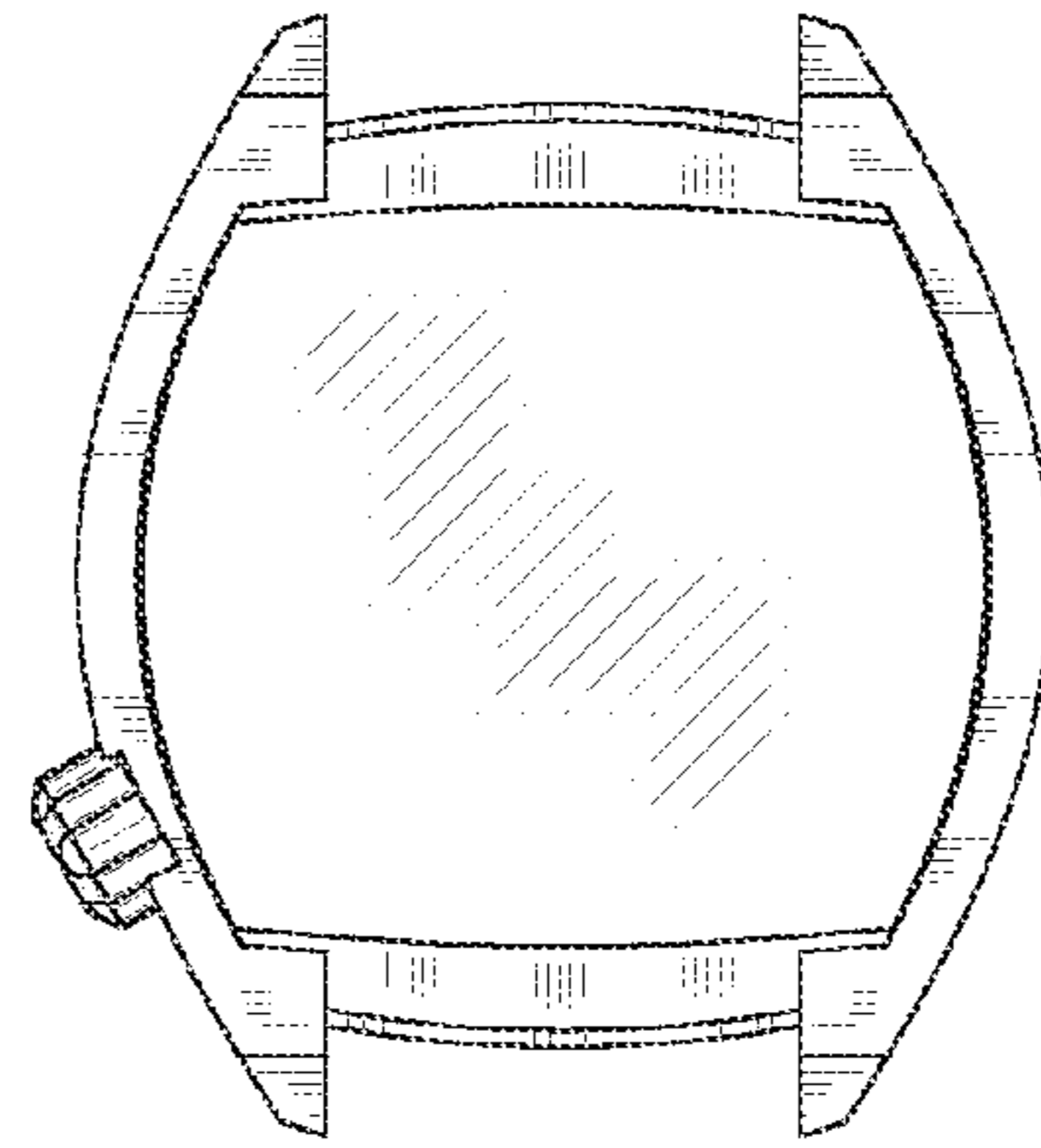


fig.3

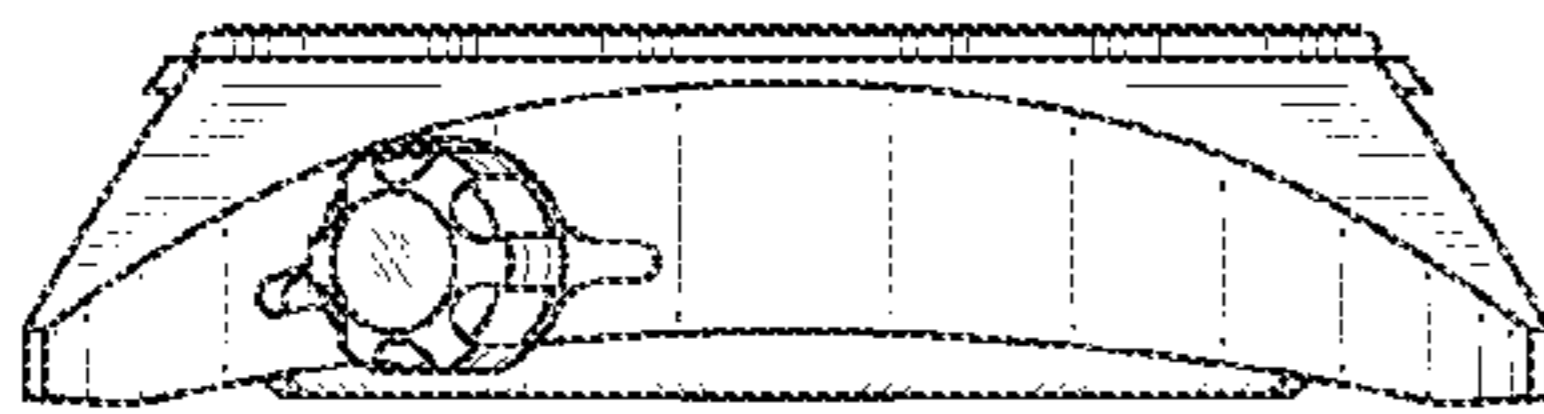


fig.4

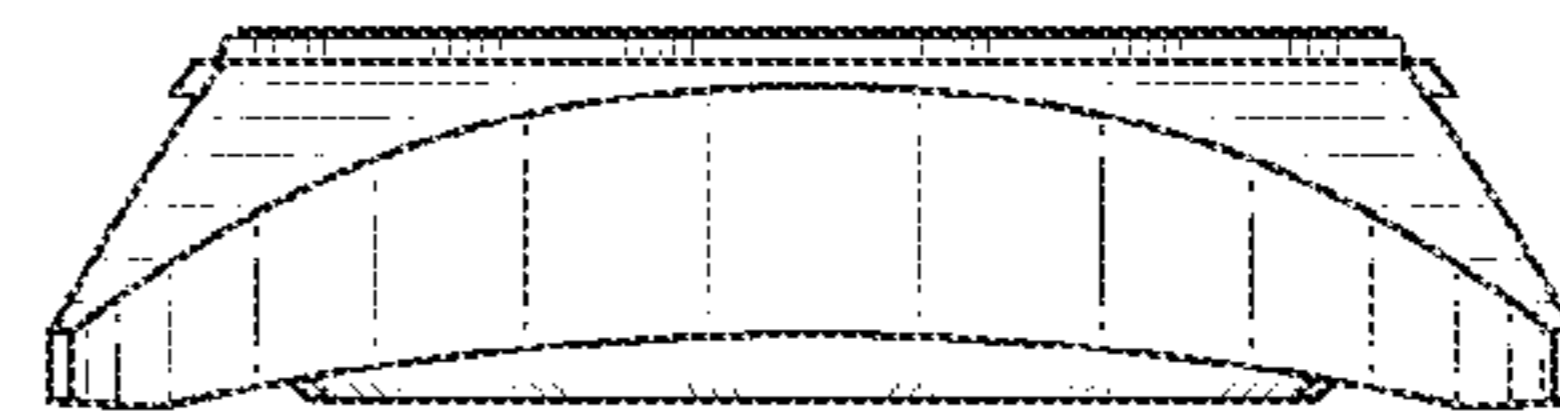


fig.5

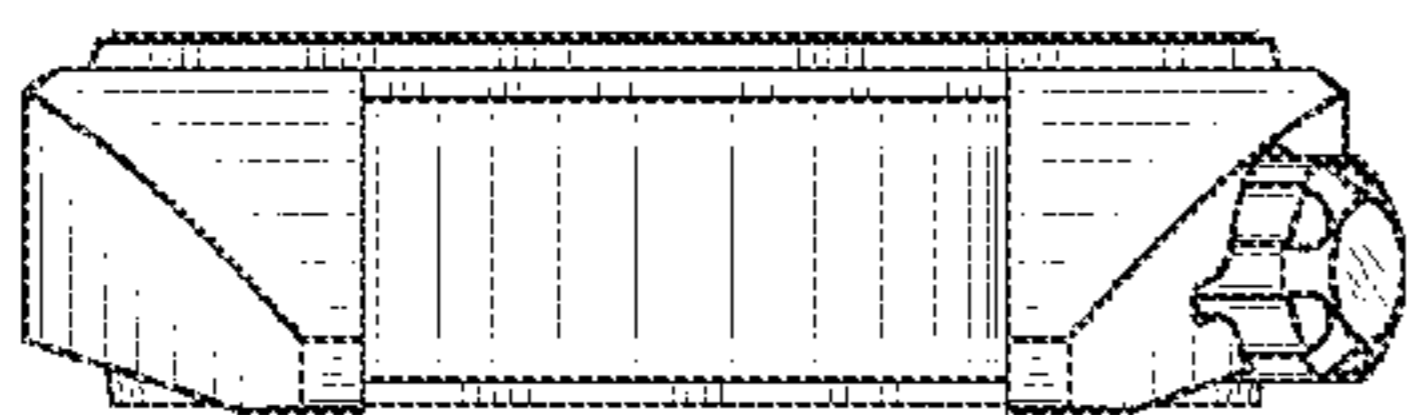


fig.6

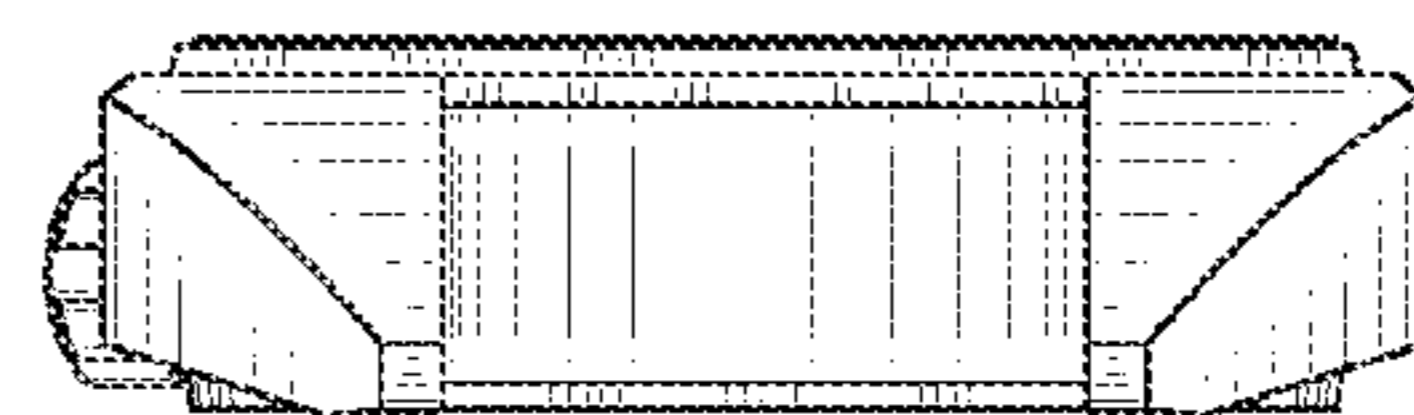


fig.7

