



US00D624437S

(12) **United States Design Patent**  
**Leclezio**

(10) **Patent No.:** **US D624,437 S**

(45) **Date of Patent:** **\*\* Sep. 28, 2010**

(54) **PACKAGING**

(75) Inventor: **Fred Leclezio**, Montreal (CA)

(73) Assignee: **Imperial Tobacco Canada Limited**,  
Montreal (CA)

(\*\*) Term: **14 Years**

(21) Appl. No.: **29/329,934**

(22) Filed: **Dec. 23, 2008**

(51) **LOC (9) Cl.** ..... **09-01**

(52) **U.S. Cl.** ..... **D9/721**

(58) **Field of Classification Search** ..... D9/420,  
D9/426, 428, 702-712, 715-745, 755; D27/52-62,  
D27/172-194; D6/515

See application file for complete search history.

(56) **References Cited**

**U.S. PATENT DOCUMENTS**

D30,228 S *	2/1899	Wolf	.....	D27/173
3,291,374 A *	12/1966	Lepisto et al.	.....	383/200
3,415,440 A *	12/1968	Watters	.....	383/108
D280,058 S *	8/1985	Carlson	.....	D7/629
D414,407 S *	9/1999	Simburger et al.	.....	D9/707
6,708,823 B2 *	3/2004	Cottingham et al.	.....	206/440
D489,606 S *	5/2004	Lofman	.....	D9/707
D496,263 S *	9/2004	Chen	.....	D9/703
D548,070 S *	8/2007	Swain	.....	D9/432
D592,494 S *	5/2009	Wichowski	.....	D9/414

D609,855 S \* 2/2010 Patel et al. .... D27/189

\* cited by examiner

*Primary Examiner*—Daniel D Bui

*Assistant Examiner*—Thomas J Johannes

(74) *Attorney, Agent, or Firm*—Chadbourne & Parke LLP;  
Walter G. Hanchuk

(57) **CLAIM**

The ornamental design for packaging, as shown and described.

**DESCRIPTION**

FIG. 1 is an above front right perspective view of a first embodiment of packaging showing the new design;

FIG. 2 is a top view thereof;

FIG. 3 is a bottom view thereof;

FIG. 4 is a front view thereof, the rear view being a mirror image thereof;

FIG. 5 is a right side view thereof, the left side view being a mirror image thereof;

FIG. 6 is an above front right perspective view of a second embodiment of packaging showing the new design;

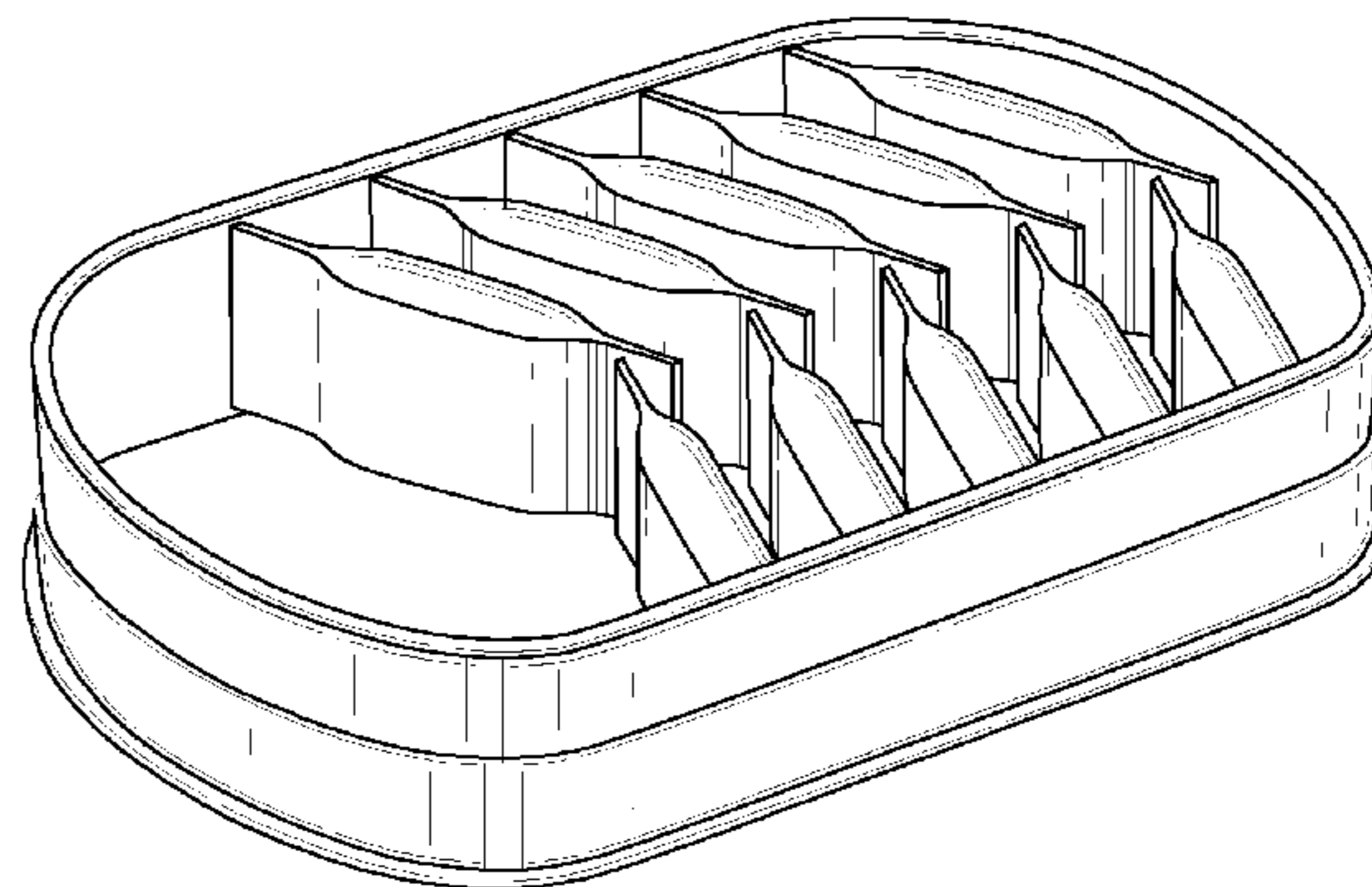
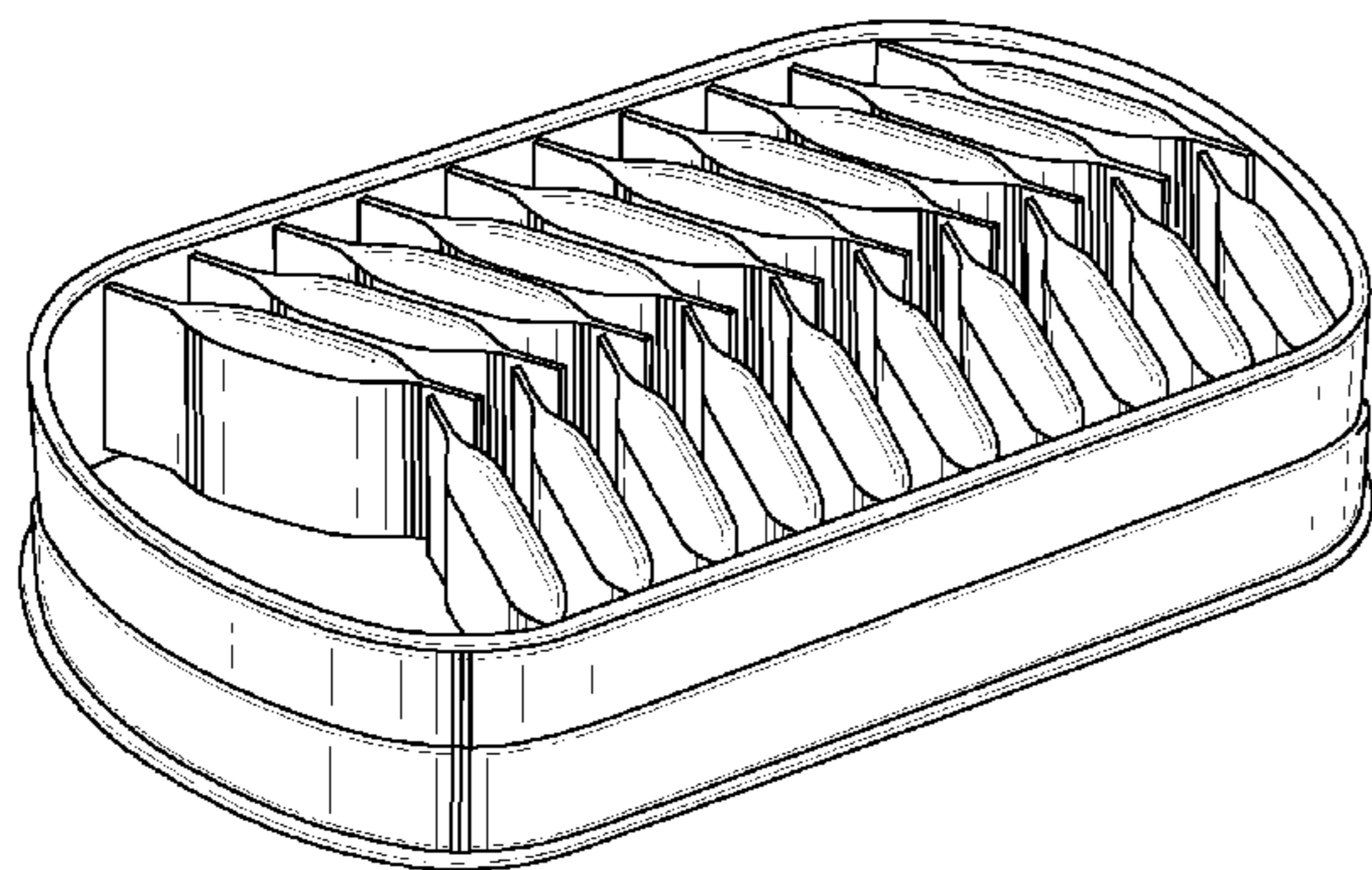
FIG. 7 is a top view thereof;

FIG. 8 is a bottom view thereof;

FIG. 9 is a front view thereof, the rear view being a mirror image thereof; and,

FIG. 10 is a right side view thereof, the left side view being a mirror image thereof.

**1 Claim, 4 Drawing Sheets**



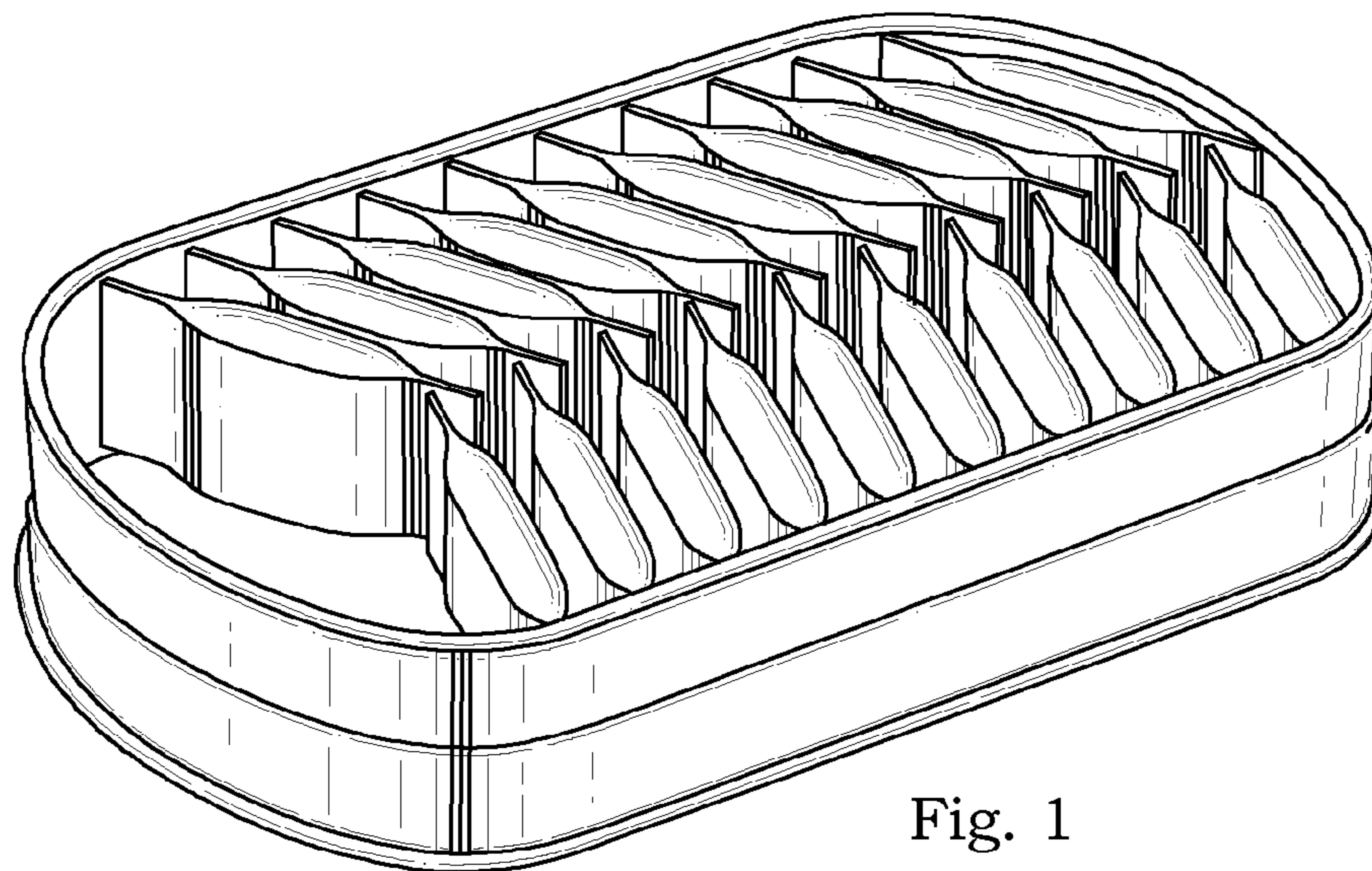


Fig. 1

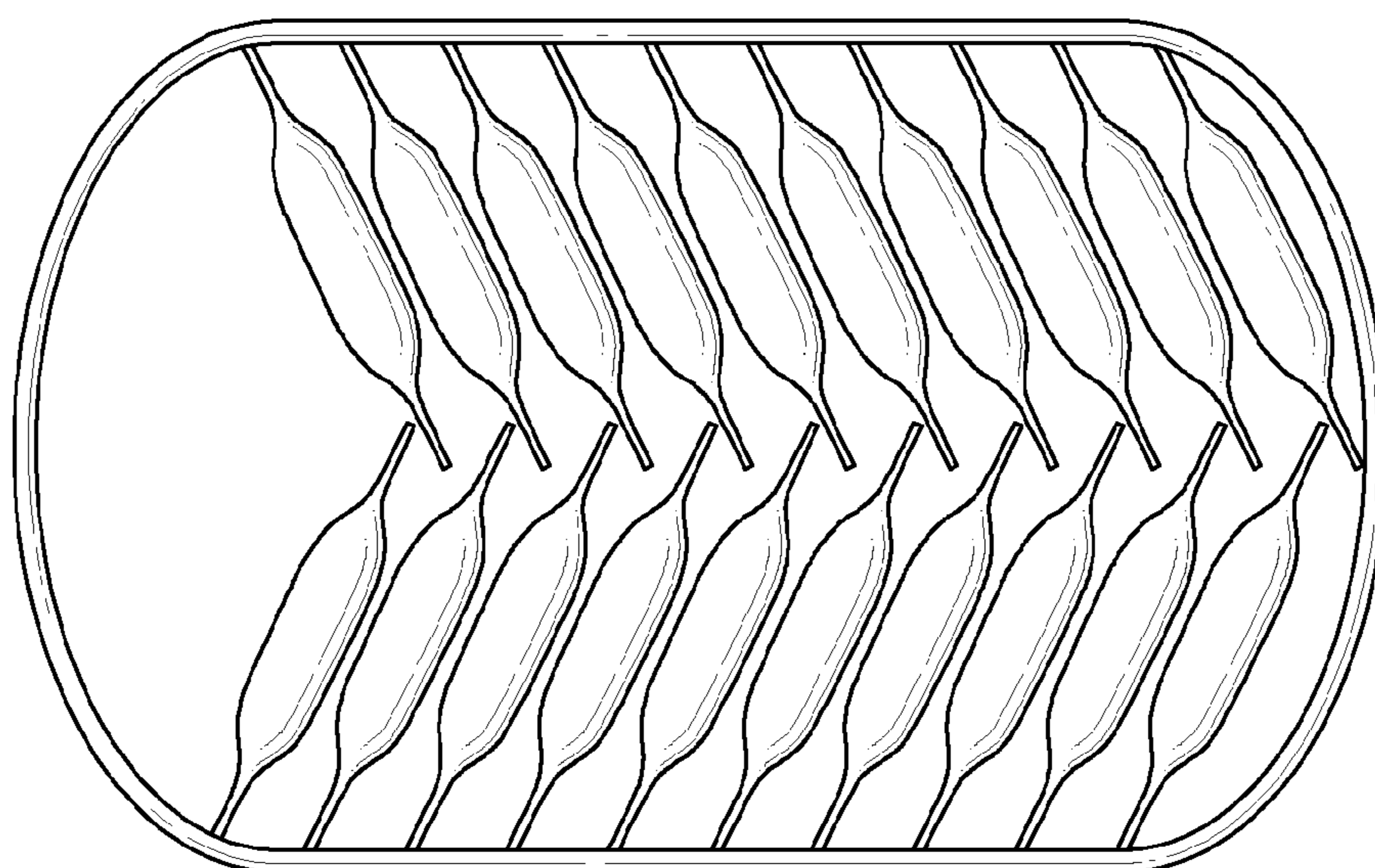


Fig. 2

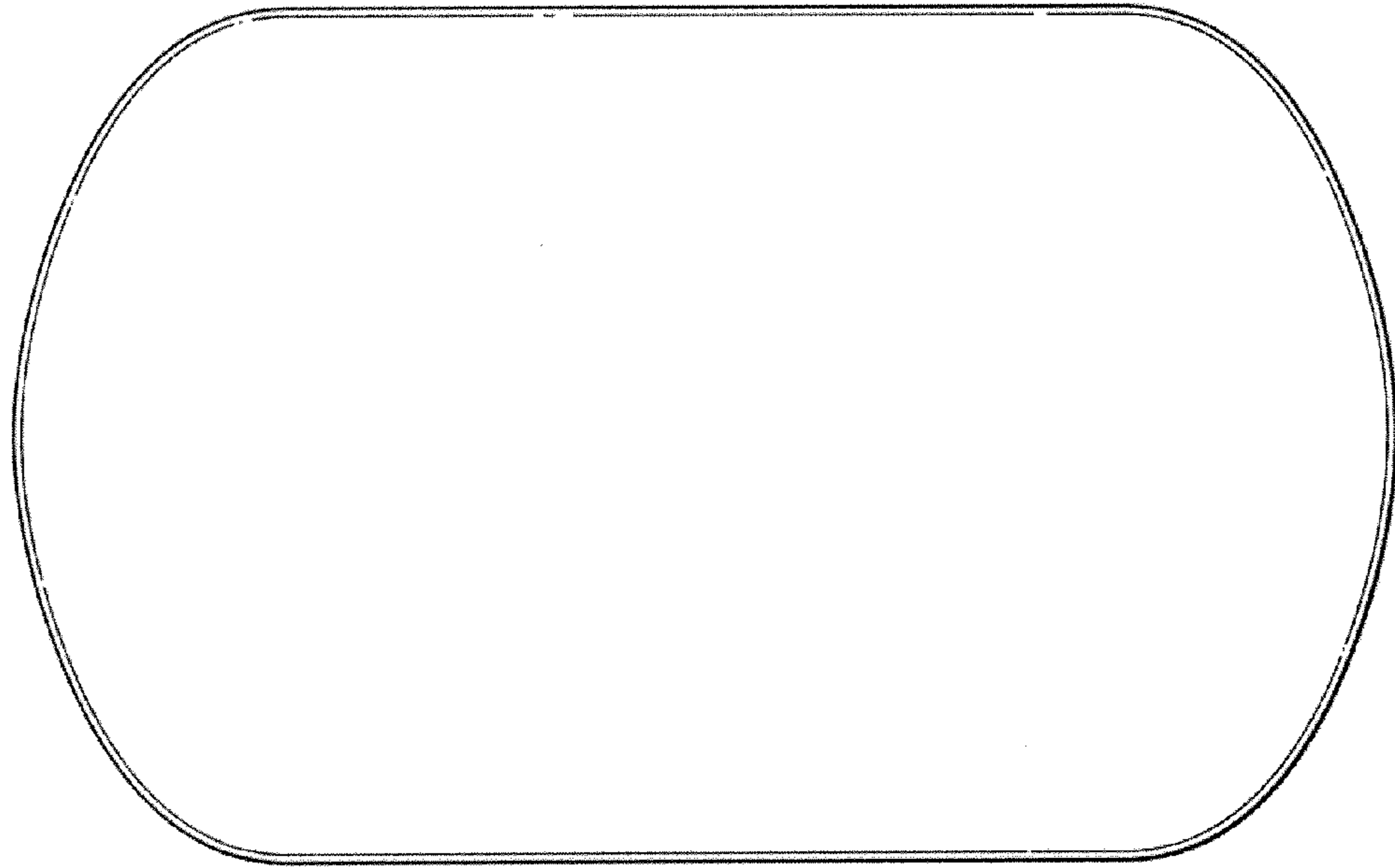


Fig. 3

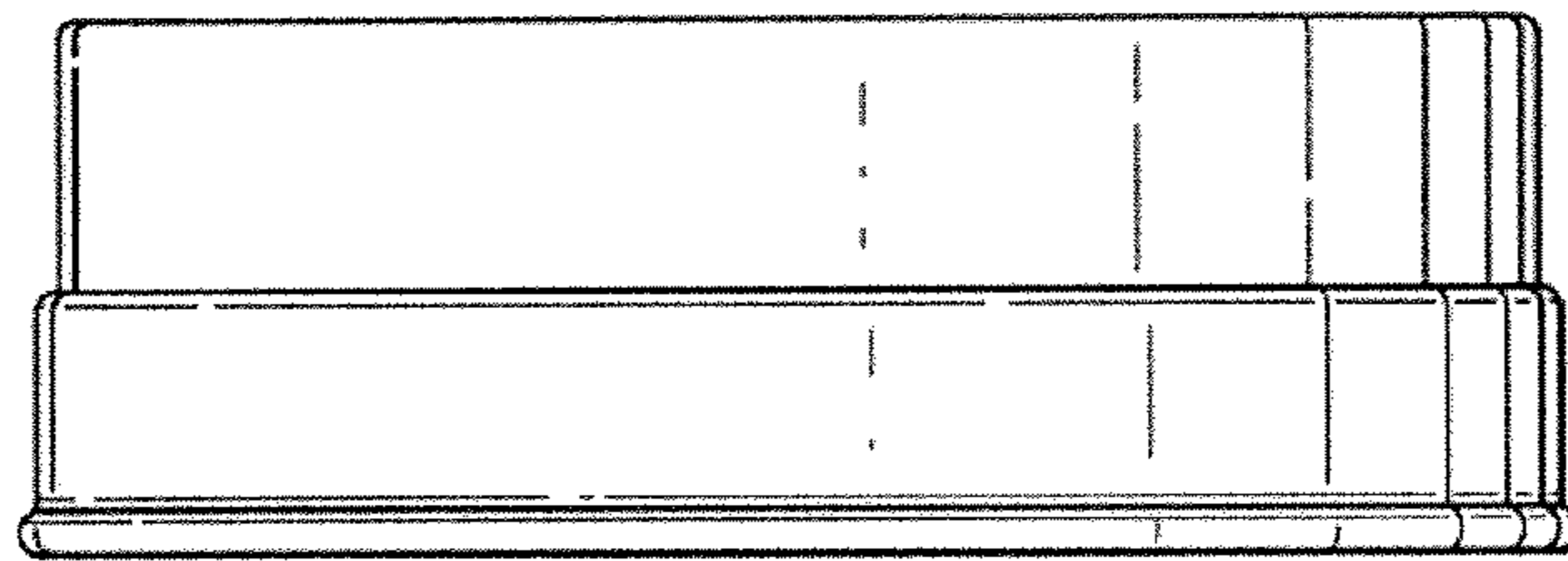


Fig. 4

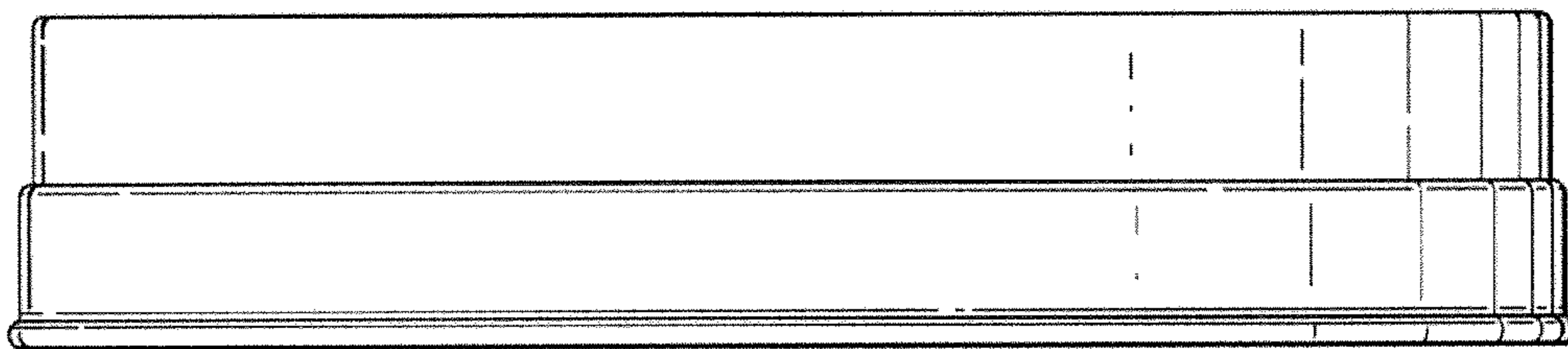


Fig. 5



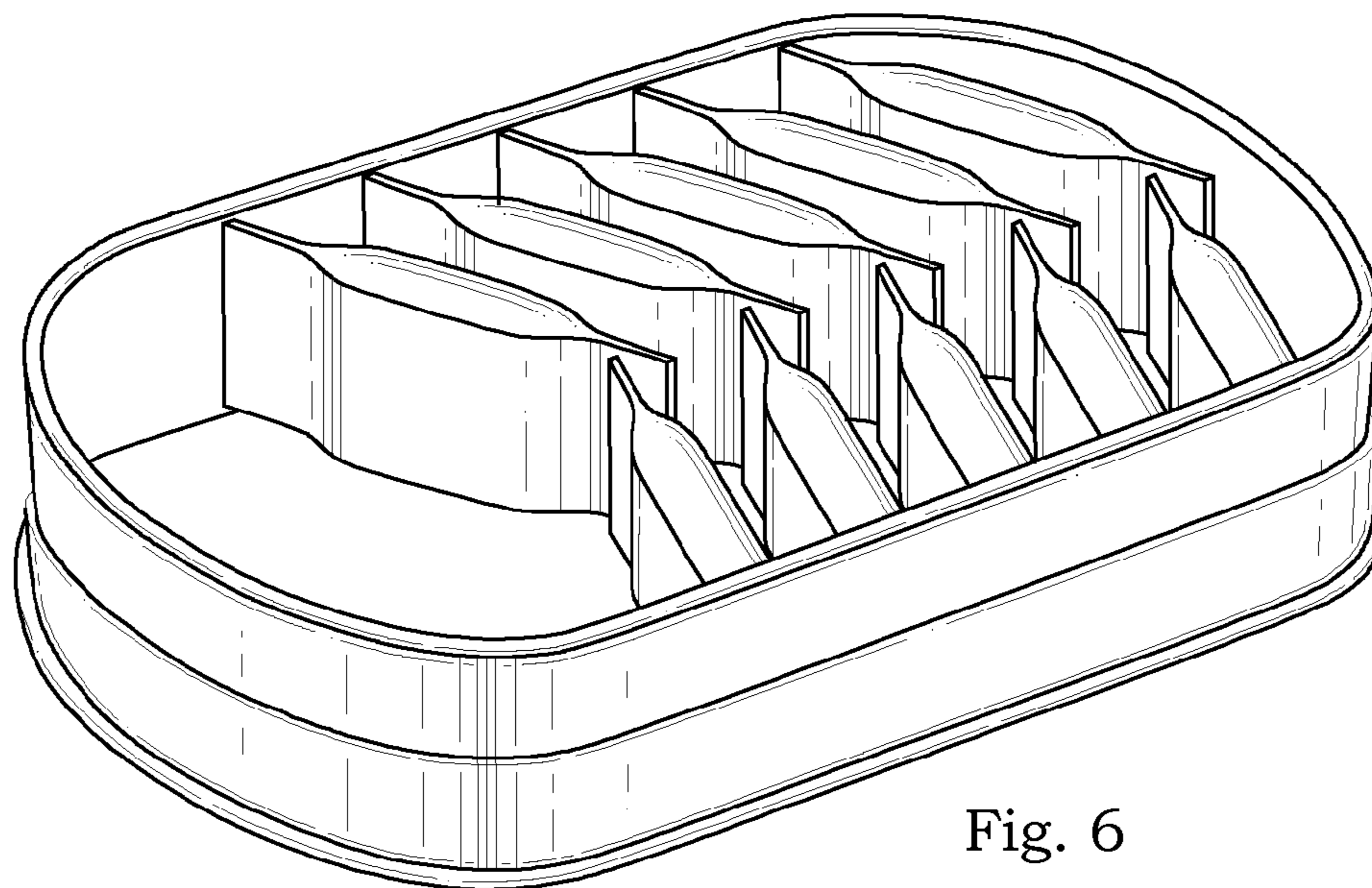


Fig. 6

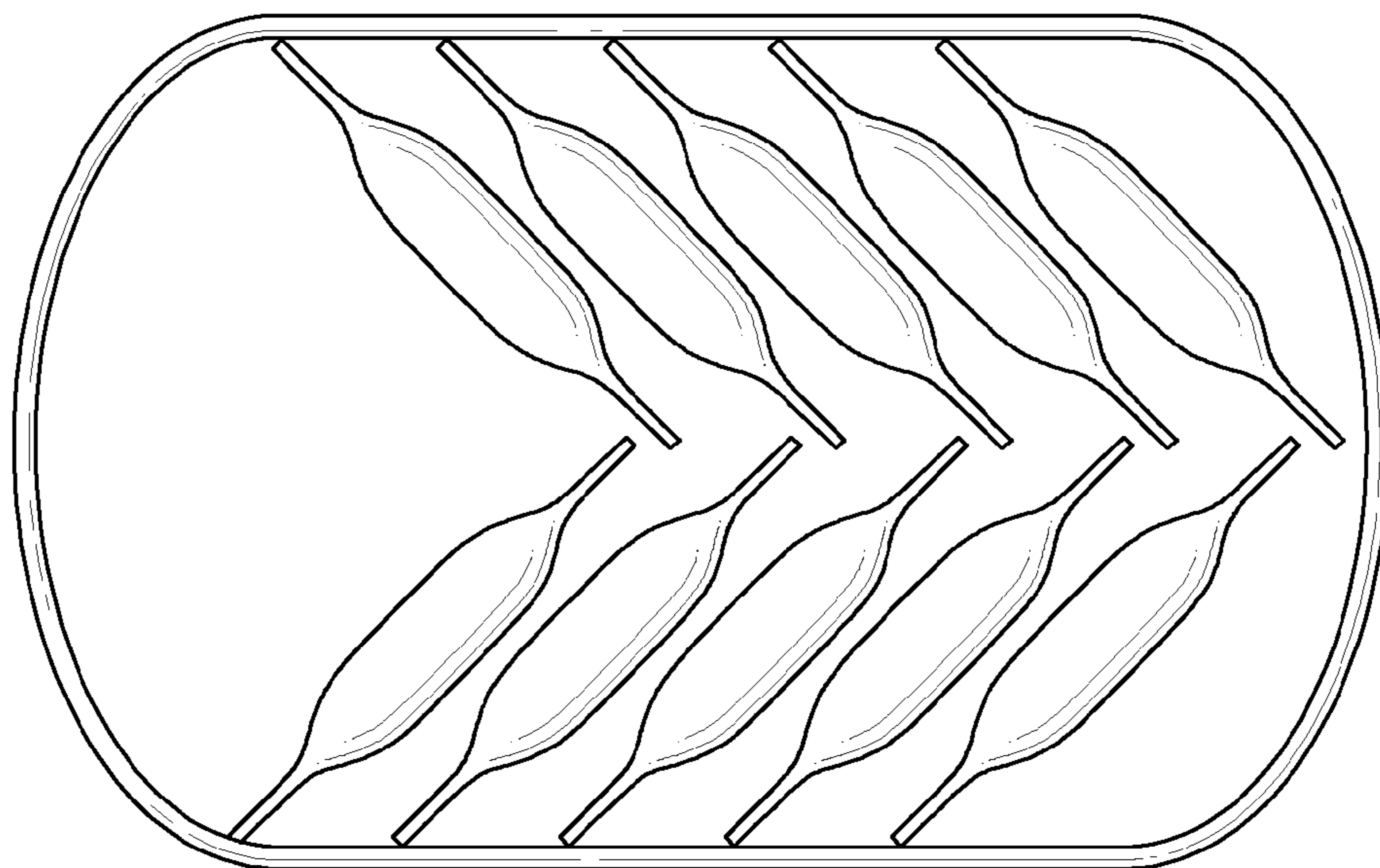


Fig. 7

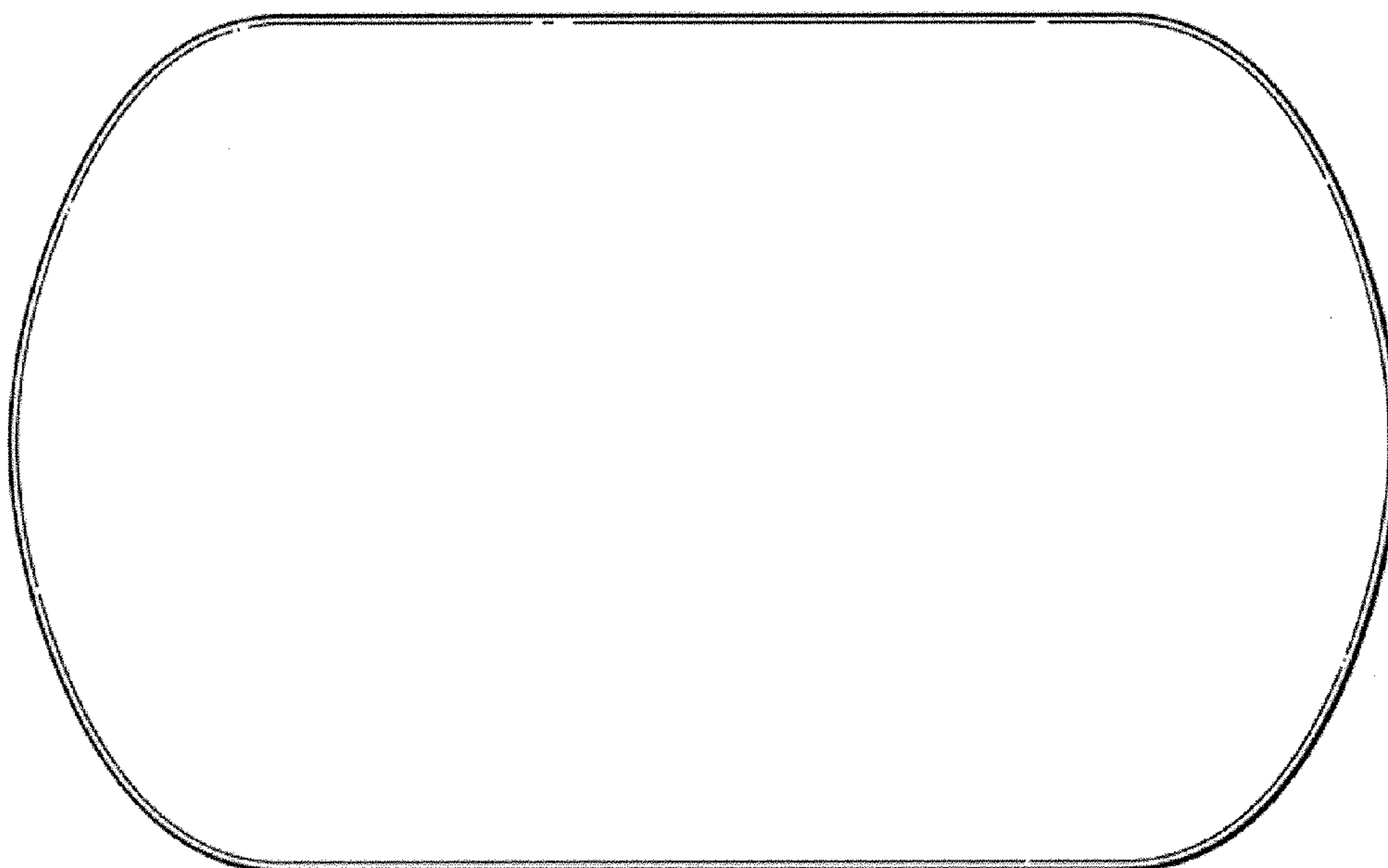


Fig. 8

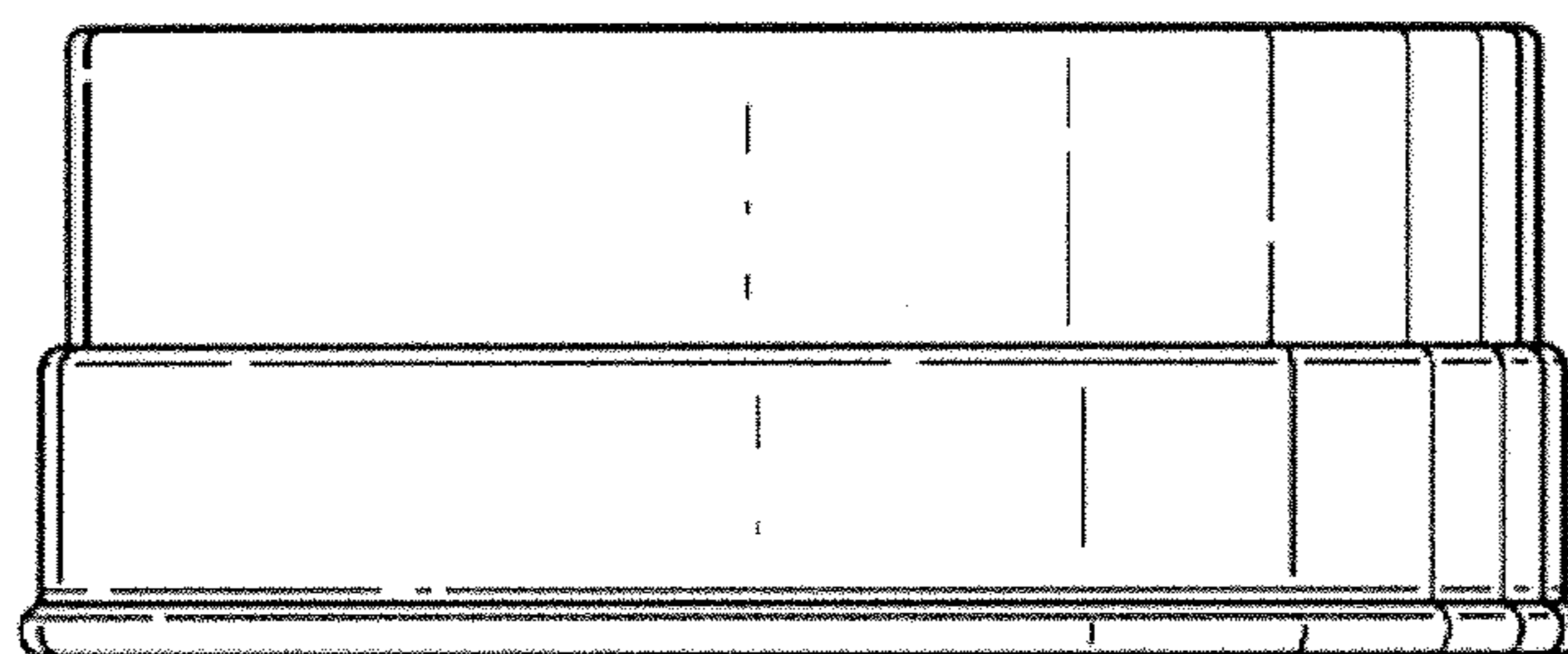


Fig. 9

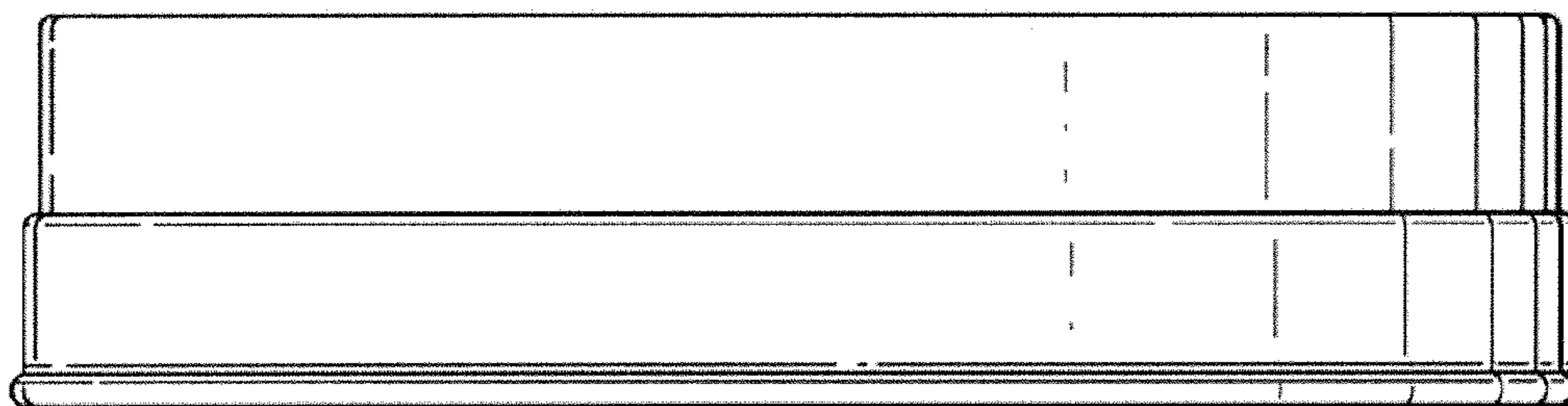


Fig. 10

UNITED STATES PATENT AND TRADEMARK OFFICE  
**CERTIFICATE OF CORRECTION**

PATENT NO. : D624,437 S  
APPLICATION NO. : 29/329934  
DATED : September 28, 2010  
INVENTOR(S) : Fred Leclezio

Page 1 of 1

It is certified that error appears in the above-identified patent and that said Letters Patent is hereby corrected as shown below:

On the title page:

Add item -- (30) Foreign Application Priority Data  
July 1, 2008 (WO) ..... DM/070371 --

Signed and Sealed this  
Thirteenth Day of September, 2011

A handwritten signature in black ink that reads "David J. Kappos". The signature is written in a cursive style with a large initial 'D' and 'K'.

David J. Kappos  
*Director of the United States Patent and Trademark Office*