



US00D624427S

(12) **United States Design Patent**
Yourist et al.

(10) **Patent No.:** **US D624,427 S**

(45) **Date of Patent:** **** Sep. 28, 2010**

(54) **BOTTLE**

(75) Inventors: **Sheldon E. Yourist**, York, PA (US);
Mark O. Borger, York, PA (US)

(73) Assignee: **Graham Packaging Company, L.P.**,
York, PA (US)

(**) Term: **14 Years**

(21) Appl. No.: **29/344,510**

(22) Filed: **Sep. 30, 2009**

(51) **LOC (9) Cl.** **09-01**

(52) **U.S. Cl.** **D9/538; D6/553; D6/557**

(58) **Field of Classification Search** D9/500,
D9/516, 519, 529-530, 537-543, 549, 553,
D9/551, 556-558, 682-694; 215/381-385
See application file for complete search history.

(56) **References Cited**

U.S. PATENT DOCUMENTS

D315,869 S *	4/1991	Collette	D9/538 X
5,704,503 A	1/1998	Krishnakumar et al.		
5,735,420 A *	4/1998	Nakamaki et al.	215/381 X
D409,091 S	5/1999	Beaver et al.		
6,092,688 A	7/2000	Eberle et al.		
D429,647 S	8/2000	Warner et al.		
D434,330 S *	11/2000	Rowe et al.	D9/538
D445,033 S	7/2001	Bretz et al.		
D453,004 S	1/2002	Hirata		
D455,351 S	4/2002	Bailey		
6,413,466 B1 *	7/2002	Boyd et al.	264/523
D465,158 S	11/2002	Peek et al.		
D466,021 S *	11/2002	Thierjung et al.	D9/557 X
D466,813 S	12/2002	Theirjung et al.		
D476,236 S *	6/2003	Ungrady et al.	D9/539 X
6,585,125 B1 *	7/2003	Peek	215/382 X
D485,765 S	1/2004	Thierjung et al.		
D494,475 S	8/2004	Thierjung et al.		
D497,549 S	10/2004	Andrews et al.		
D501,404 S	2/2005	Dalton et al.		
D513,591 S *	1/2006	Ducret	D9/504
D522,869 S *	6/2006	Leshyk	D9/538
D525,530 S *	7/2006	Livingston et al.	D9/553 X

D527,643 S	9/2006	Gottlieb		
D531,508 S	11/2006	Steih et al.		
D532,693 S	11/2006	Steih et al.		
7,178,684 B1	2/2007	Budden et al.		
D538,661 S	3/2007	Wolf et al.		
D545,198 S	6/2007	Hatcher et al.		
D547,665 S	7/2007	Lepoitevin et al.		
D548,087 S	8/2007	Wolf		
D551,081 S	9/2007	Ohara et al.		
D571,214 S	6/2008	Caszatt		
D580,763 S	11/2008	Perez		
D584,627 S	1/2009	Lepoitevin		
D585,293 S	1/2009	Honkawa		
D586,657 S *	2/2009	Pritchett, Jr.	D9/558 X

(Continued)

Primary Examiner—Carol Rademaker
(74) *Attorney, Agent, or Firm*—Knoble Yoshida & Dunleavy,
LLC

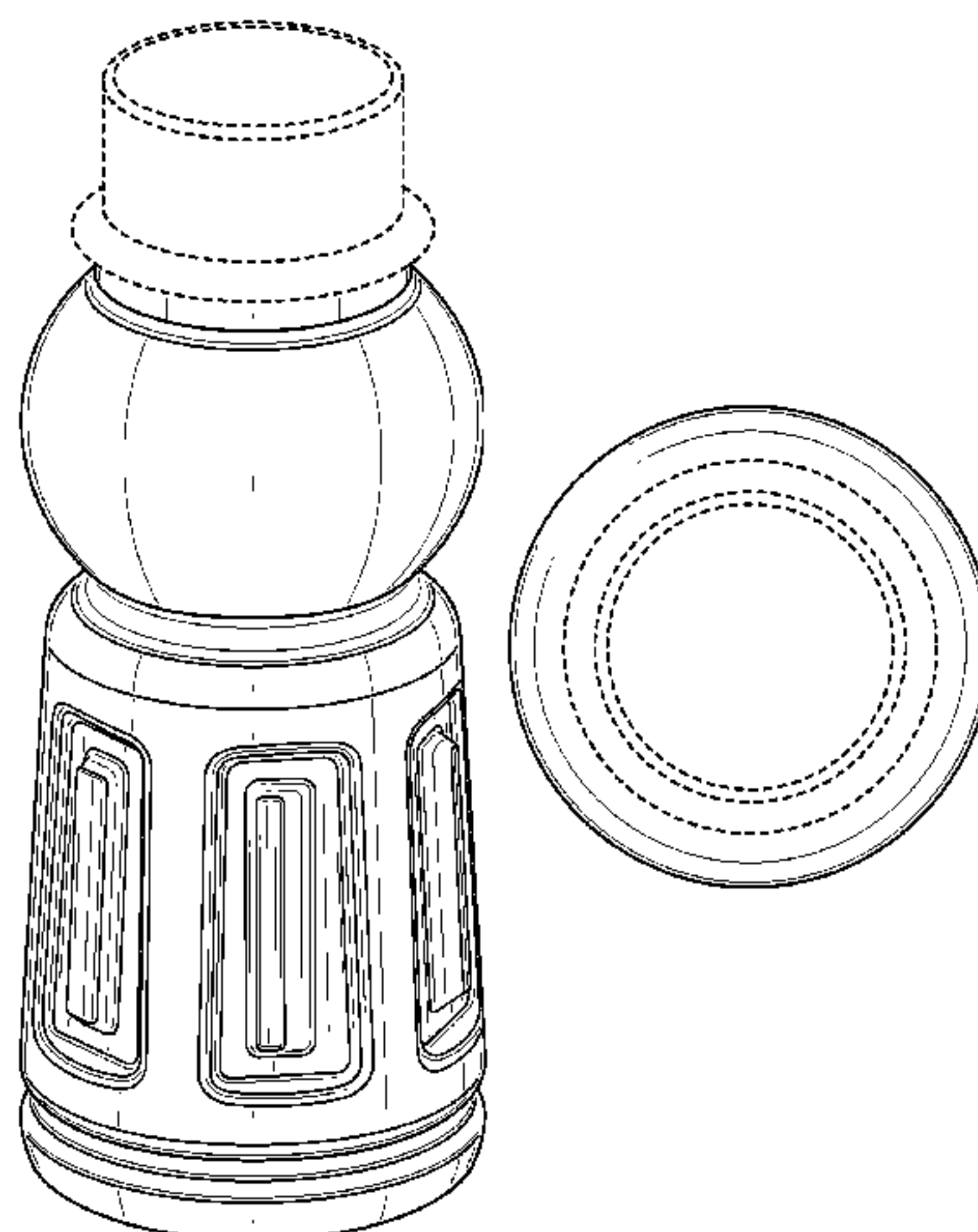
(57) **CLAIM**

The ornamental design for a bottle, as shown and described.

DESCRIPTION

FIG. 1 is a perspective view of a bottle;
FIG. 2 is a front elevational view thereof, the rear elevational
view being identical;
FIG. 3 is right side elevational view thereof, the left side
elevational view being identical;
FIG. 4 is a top plan view thereof, shown at an enlarged scale;
and,
FIG. 5 is a bottom plan view thereof.
The broken lines shown in the drawing views are included for
the purpose of showing environmental structure that forms no
part of the claimed design.

1 Claim, 4 Drawing Sheets



US D624,427 S

Page 2

U.S. PATENT DOCUMENTS

D586,658 S *	2/2009	Pritchett, Jr.	D9/539	D610,016 S *	2/2010	Yourist et al.	D9/538
D588,935 S *	3/2009	Richardson et al.	D9/773	D610,017 S *	2/2010	Howell et al.	D9/538
D608,209 S *	1/2010	Lepoitevin	D9/558 X	D611,349 S *	3/2010	Shah et al.	D9/516
D610,015 S *	2/2010	Yourist et al.	D9/538	D613,170 S *	4/2010	Lewis et al.	D9/516
				2003/0196926 A1 *	10/2003	Tobias et al.	206/509

* cited by examiner

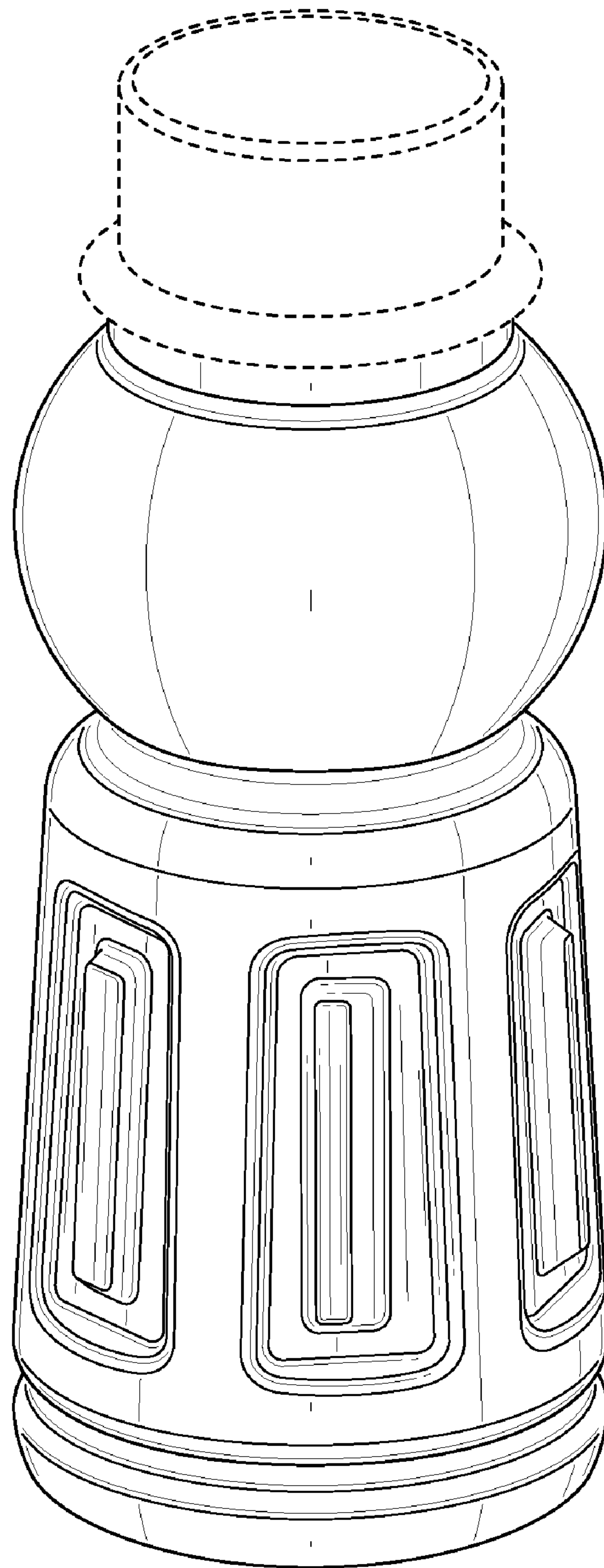


FIG. 1

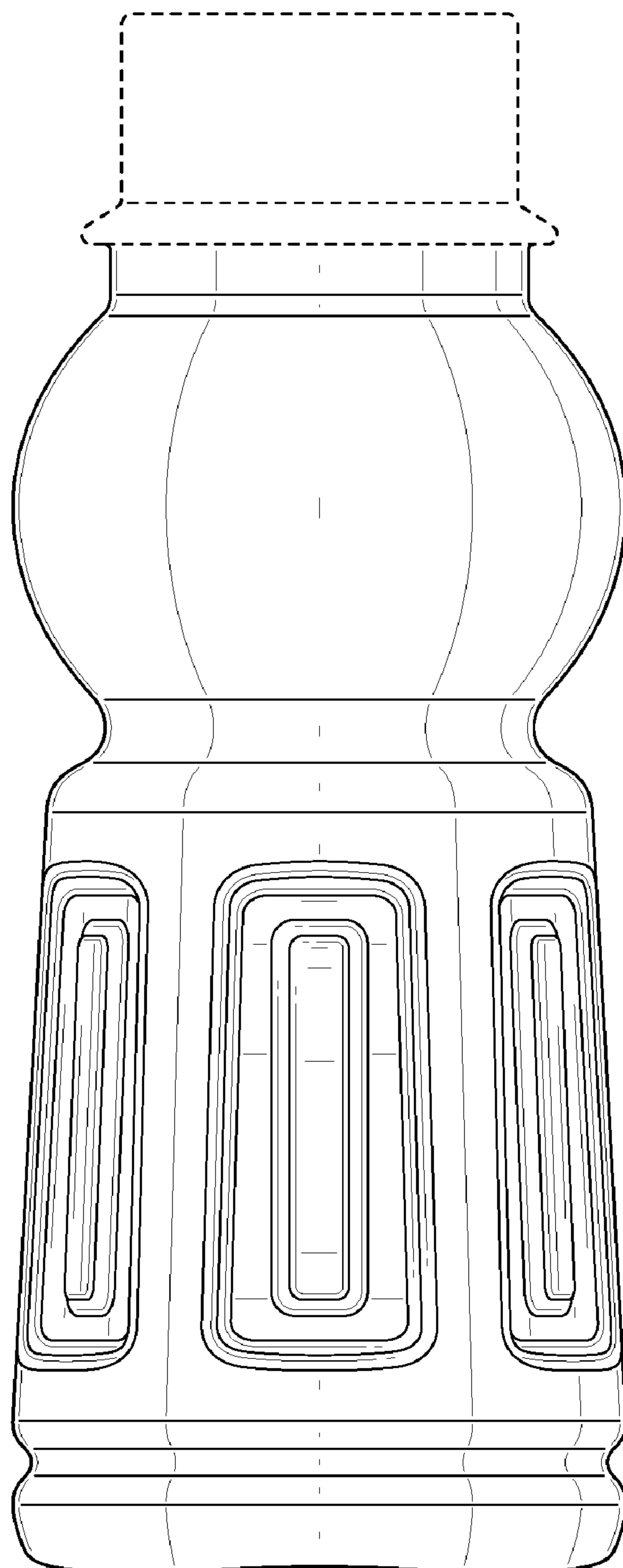


FIG. 2

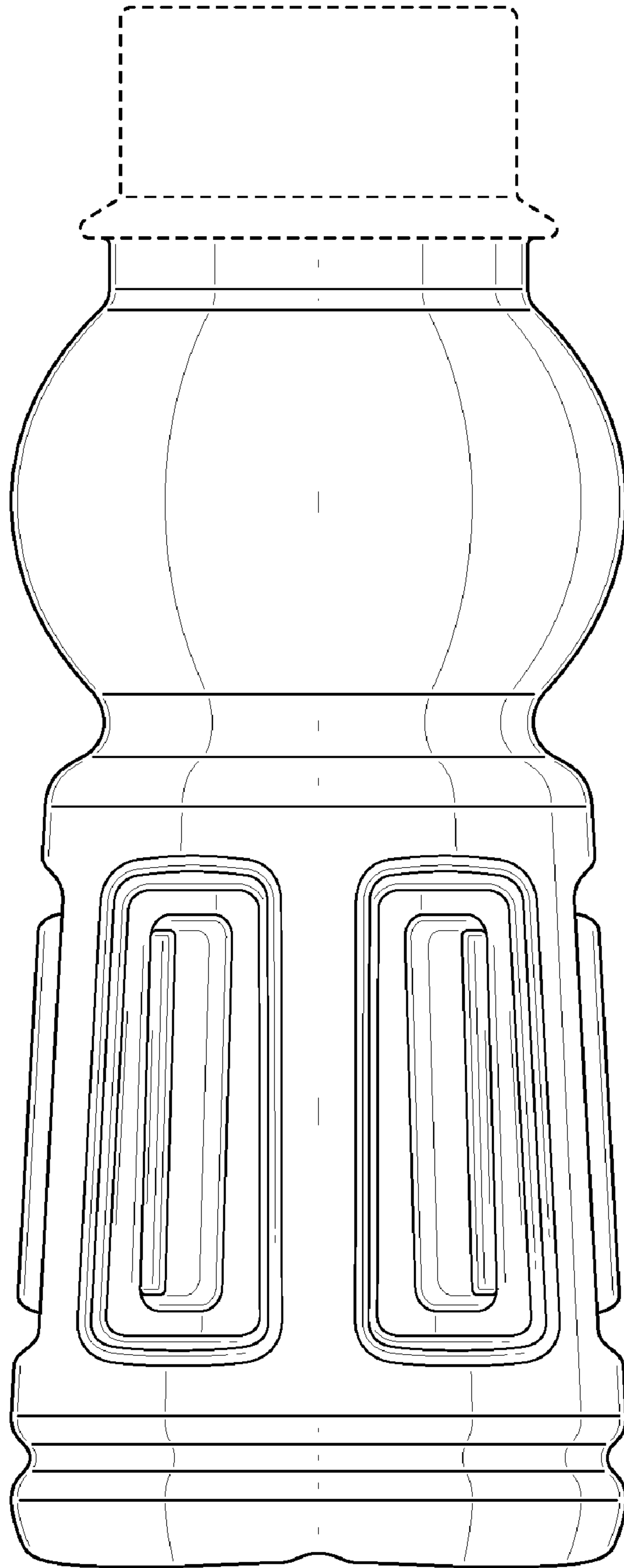


FIG. 3

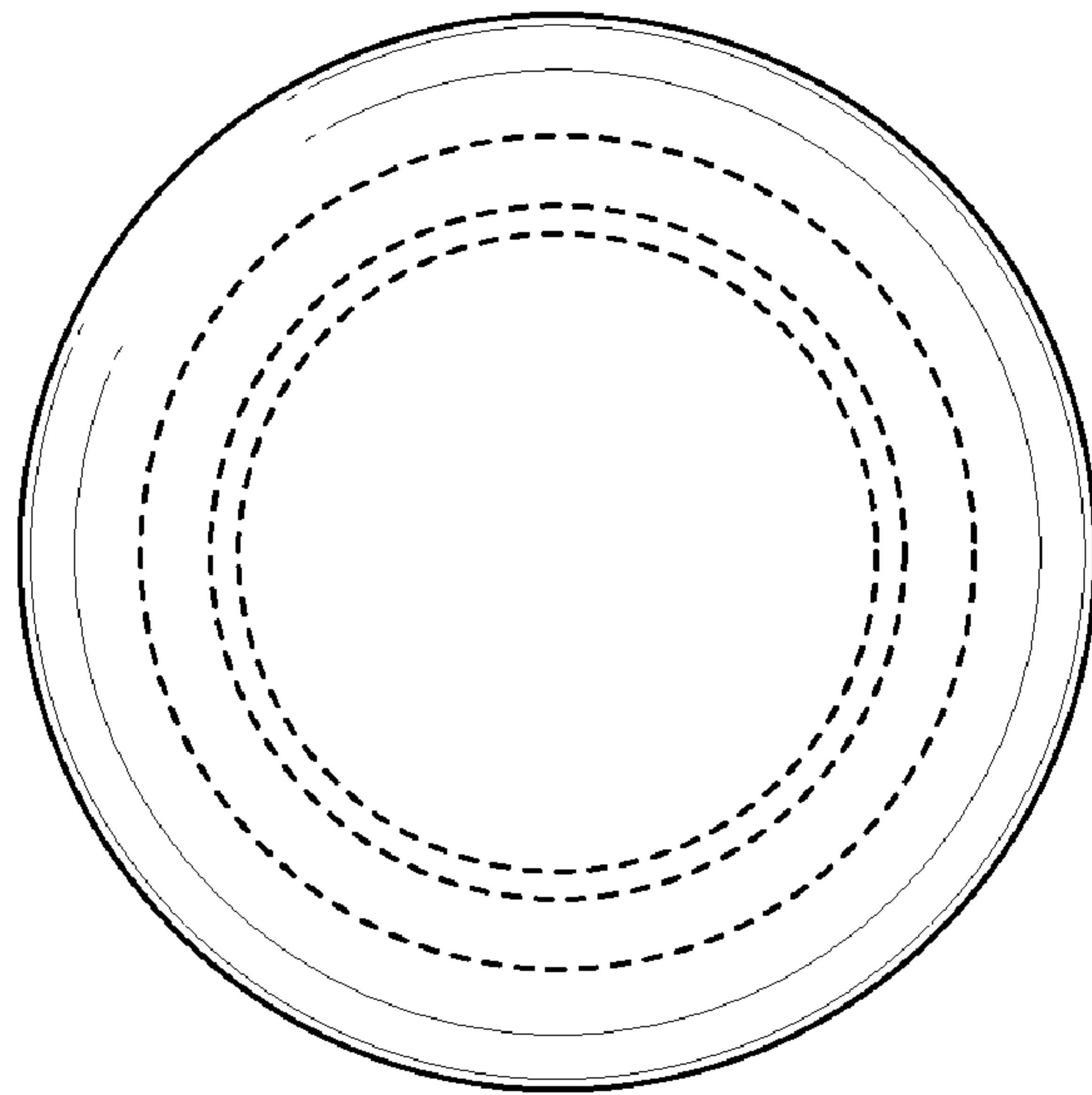


FIG. 4

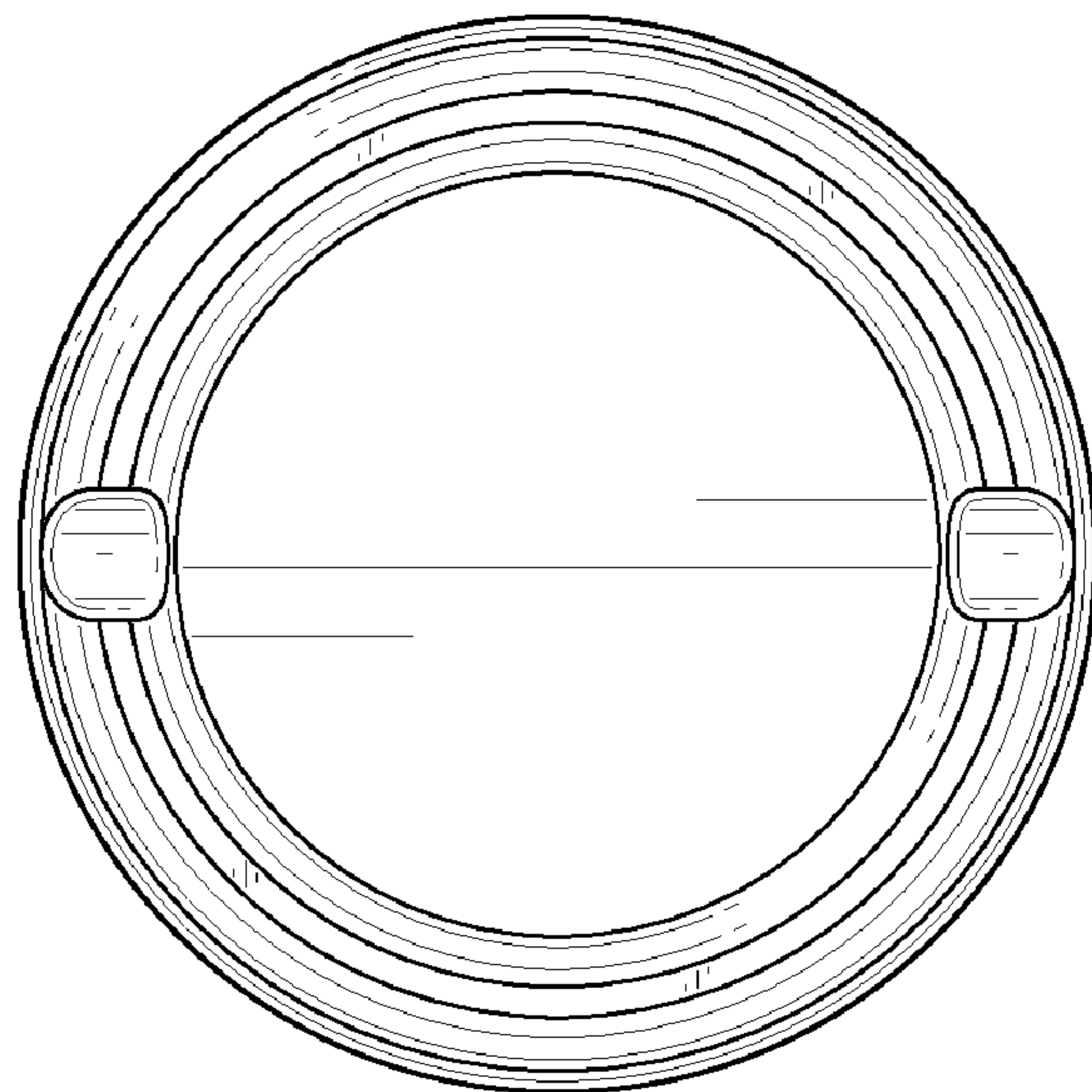


FIG. 5