



US00D624425S

(12) **United States Design Patent**
Ferguson et al.

(10) **Patent No.:** **US D624,425 S**

(45) **Date of Patent:** **** Sep. 28, 2010**

(54) **CONTAINER BODY PORTION**

(75) Inventors: **Gary Ferguson**, Tallmadge, OH (US);
James C. Dorn, Sterling, OH (US)

(73) Assignee: **Plastipak Packaging, Inc.**, Plymouth,
MI (US)

(**) Term: **14 Years**

(21) Appl. No.: **29/364,460**

(22) Filed: **Jun. 24, 2010**

4,969,922	A *	11/1990	Platte, Sr.	215/383
D325,871	S *	5/1992	Hestehave et al.	D9/520
5,114,028	A *	5/1992	Ring	215/42
D358,548	S *	5/1995	Platte	D9/527
D379,592	S *	6/1997	Doskoczynski	D9/542
6,270,488	B1 *	8/2001	Johnson et al.	604/403
D447,698	S *	9/2001	Kaufman	D9/551
D467,180	S *	12/2002	Clochet	D9/506
D467,806	S *	12/2002	Baron et al.	D9/520
D475,297	S *	6/2003	Drabek et al.	D9/524
D485,189	S *	1/2004	Montalbano et al.	D9/528
D514,940	S *	2/2006	Darr et al.	D9/527
D528,425	S *	9/2006	Van Dorin et al.	D9/527
D620,806	S *	8/2010	Ferguson et al.	D9/683

Related U.S. Application Data

(62) Division of application No. 29/355,983, filed on Feb. 18, 2010, now Pat. No. Des. 620,806.

(51) **LOC (9) Cl.** **09-01**

(52) **U.S. Cl.** **D9/528; D9/564; D9/574**

(58) **Field of Classification Search** D9/434,
D9/516, 523, 525, 528, 530, 531, 541, 543,
D9/559, 560, 564, 569, 570, 575, 682-694;
215/379, 381-385; 220/669-675; 222/465.1,
222/468

See application file for complete search history.

(56) **References Cited**

U.S. PATENT DOCUMENTS

412,633	A *	10/1889	Guerrazzi	54/26
D205,166	S *	6/1966	Price	D9/527
3,400,846	A *	9/1968	Kelly	215/398
D248,830	S *	8/1978	Anderson	D9/523
D284,641	S *	7/1986	Jones	D9/524
D294,557	S *	3/1988	Jones	D9/524
D296,668	S *	7/1988	Stavish	D9/520
4,805,793	A *	2/1989	Brandt et al.	215/10
D307,391	S *	4/1990	Blair	D9/528
4,923,098	A *	5/1990	Schoonover et al.	222/465.1

* cited by examiner

Primary Examiner—Stella M Reid

Assistant Examiner—Elizabeth J Oswecki

(74) *Attorney, Agent, or Firm*—Mario A. Tabone

(57) **CLAIM**

The ornamental design for container body portion, as shown and described.

DESCRIPTION

FIG. 1 is a top, front, left perspective view of a container body portion showing our new design;

FIG. 2 is a left side elevational view thereof;

FIG. 3 is a right side elevational view thereof;

FIG. 4 is a rear elevational view thereof;

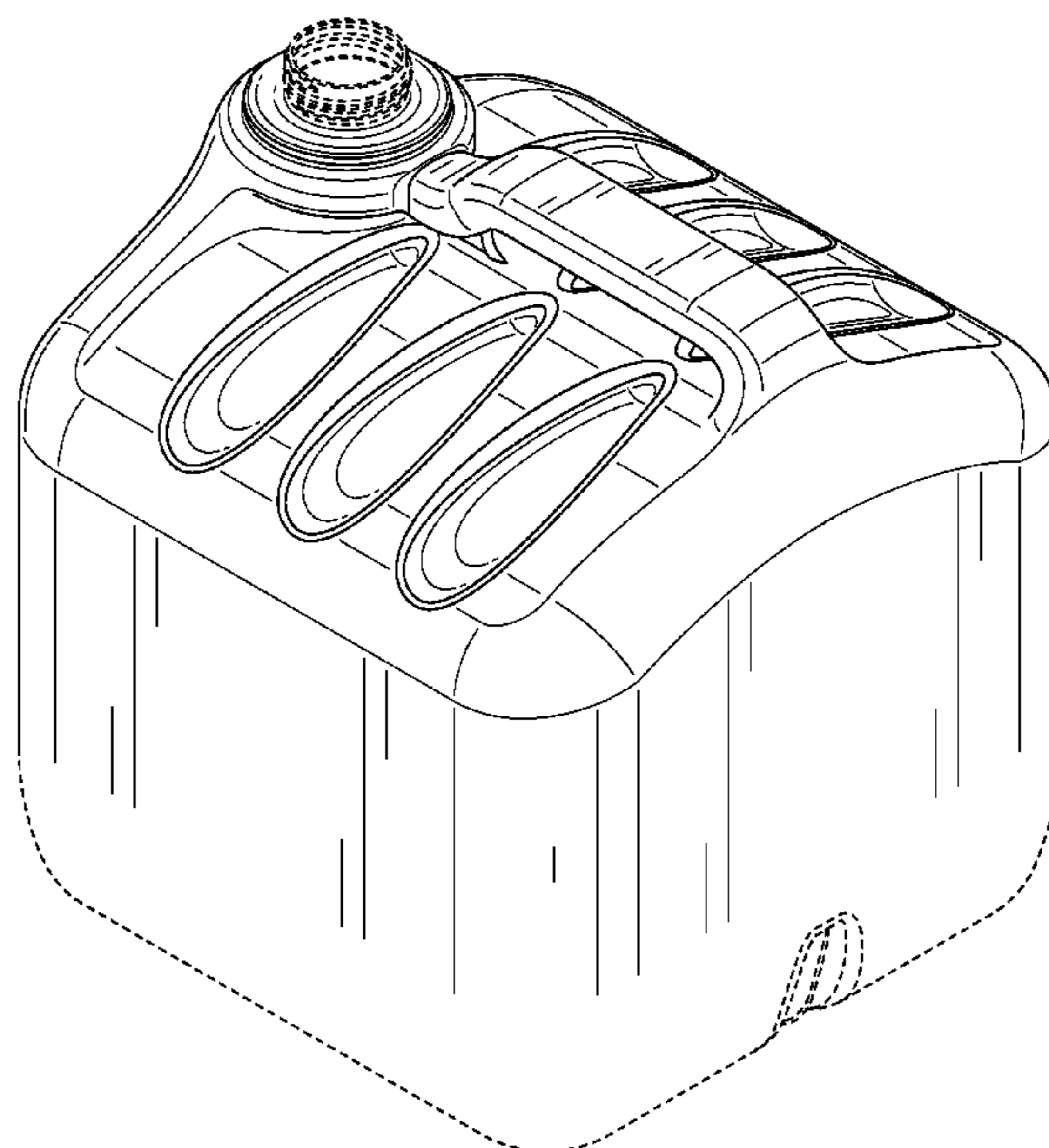
FIG. 5 is a front elevational view thereof;

FIG. 6 is a top plan view thereof; and,

FIG. 7 is a bottom plan view thereof.

The broken lines shown in the drawing views are for environmental purposes only and form no part of the claimed design.

1 Claim, 7 Drawing Sheets



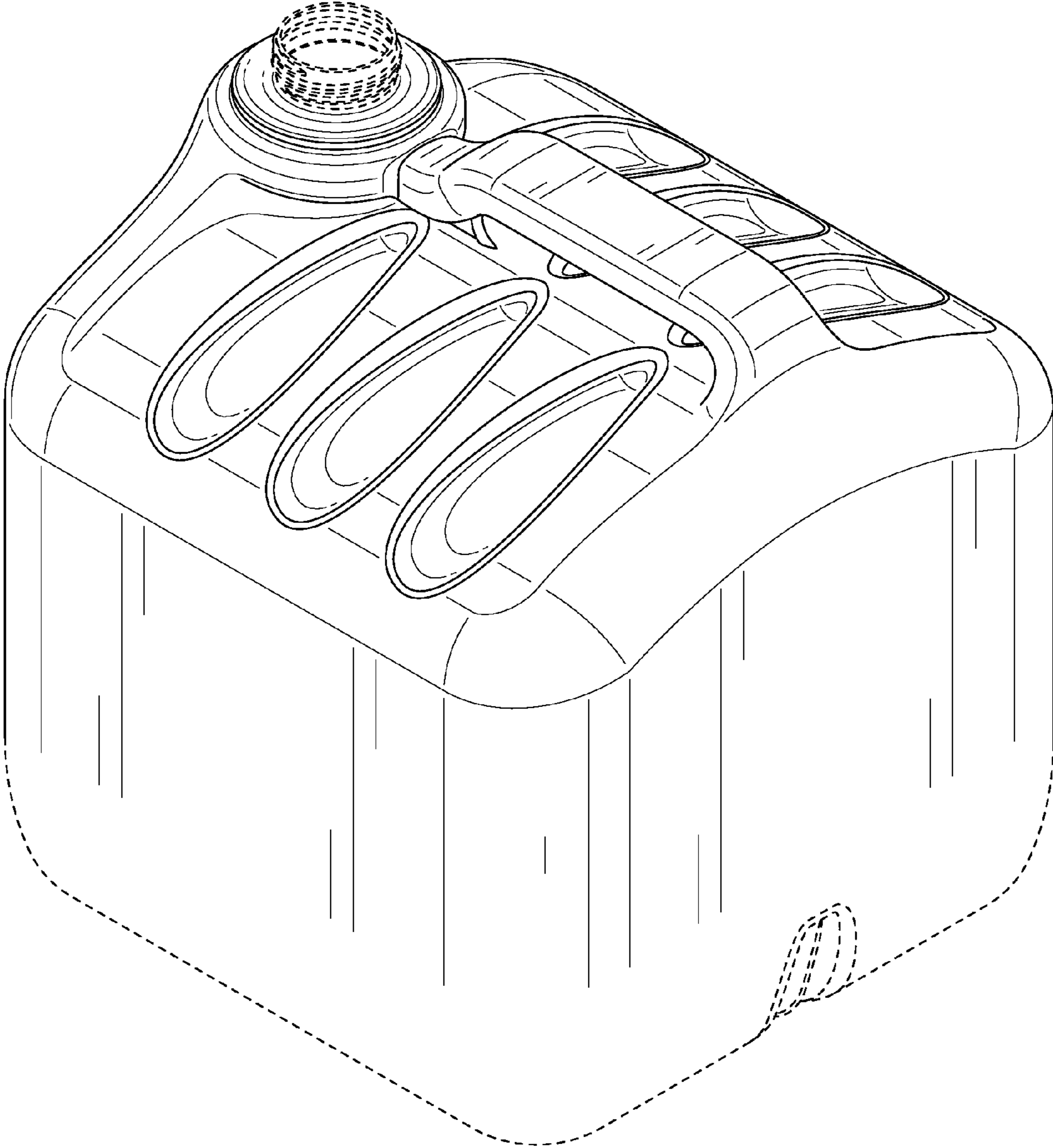


FIG. 1

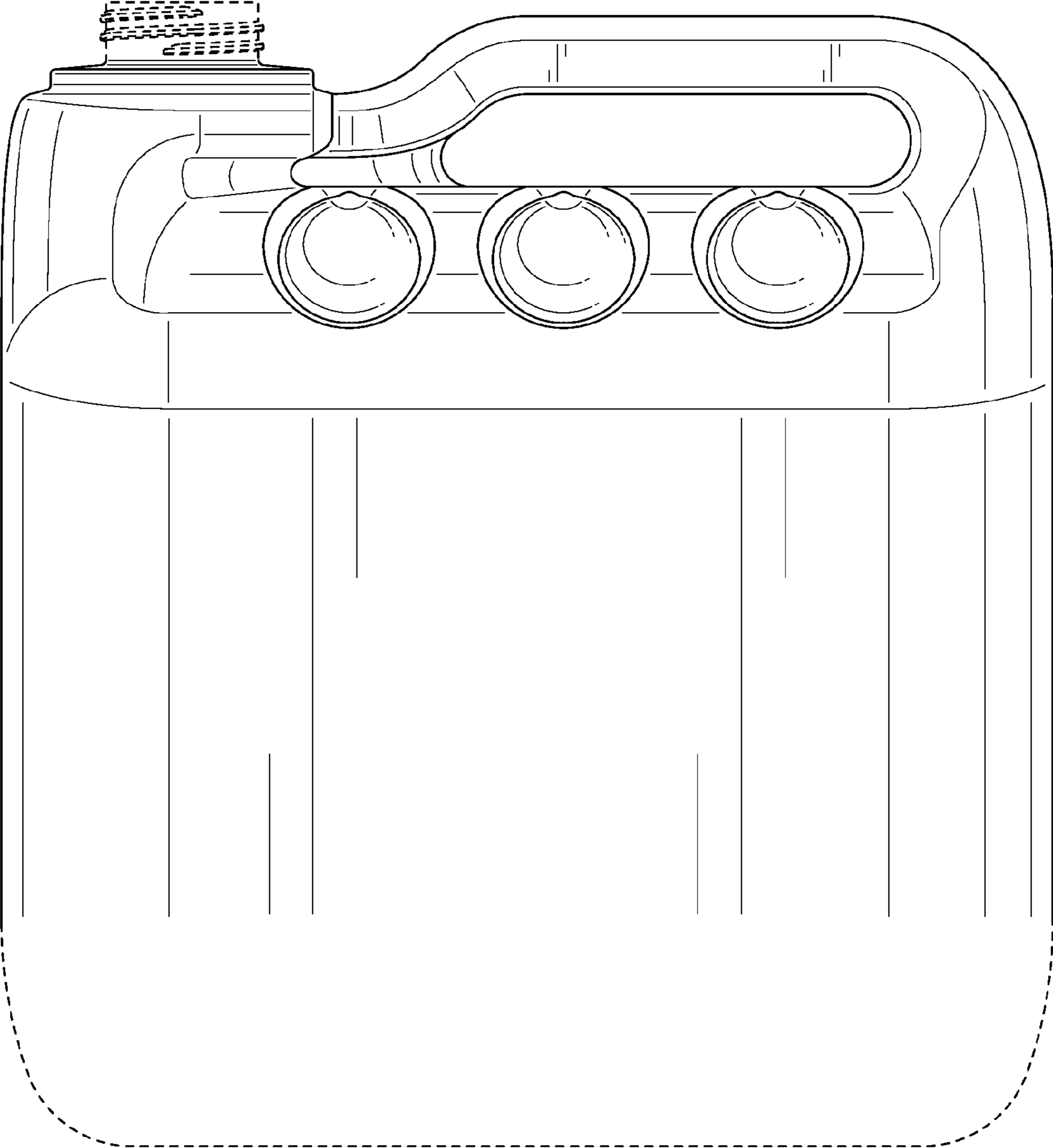


FIG. 2

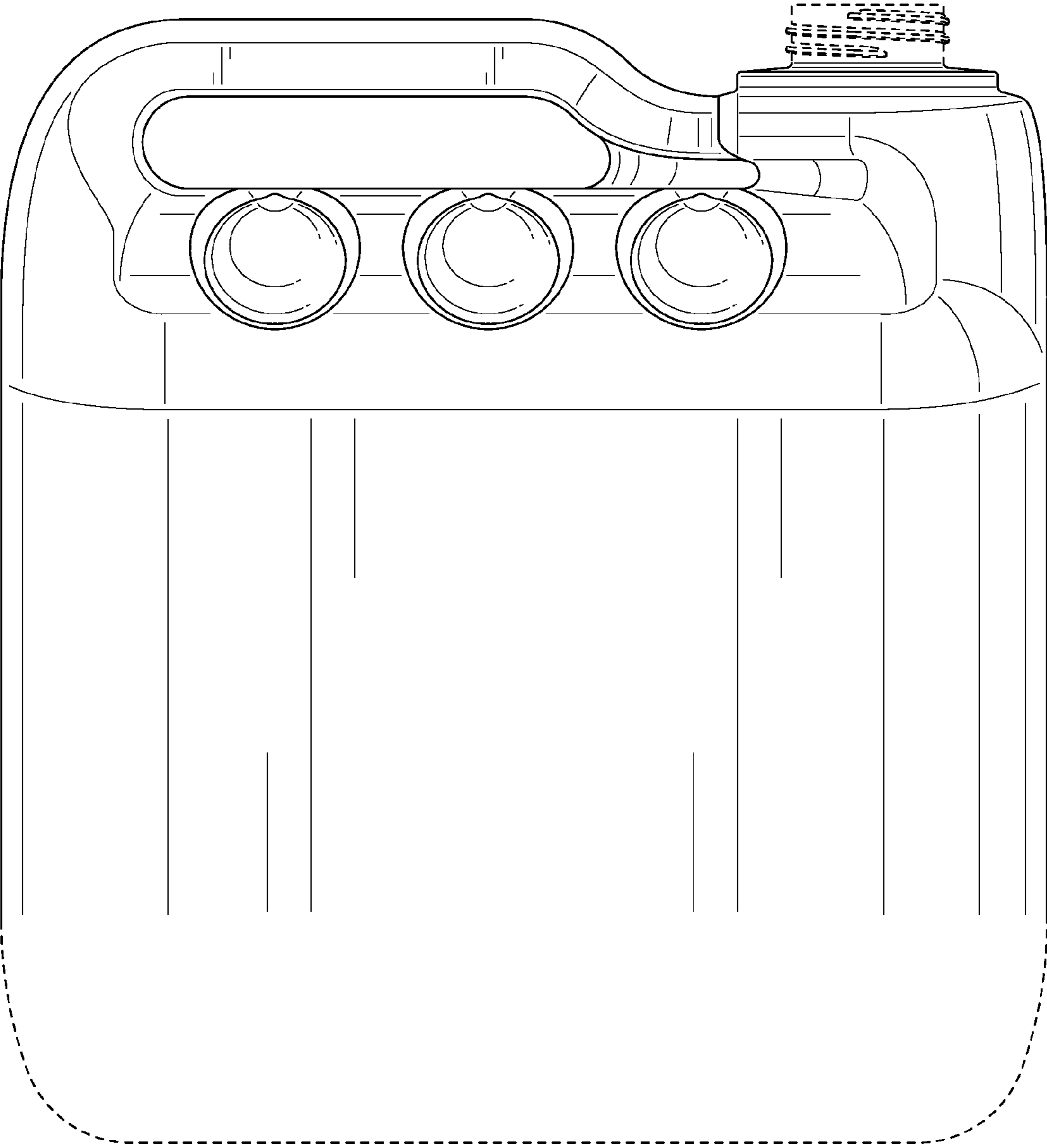


FIG. 3

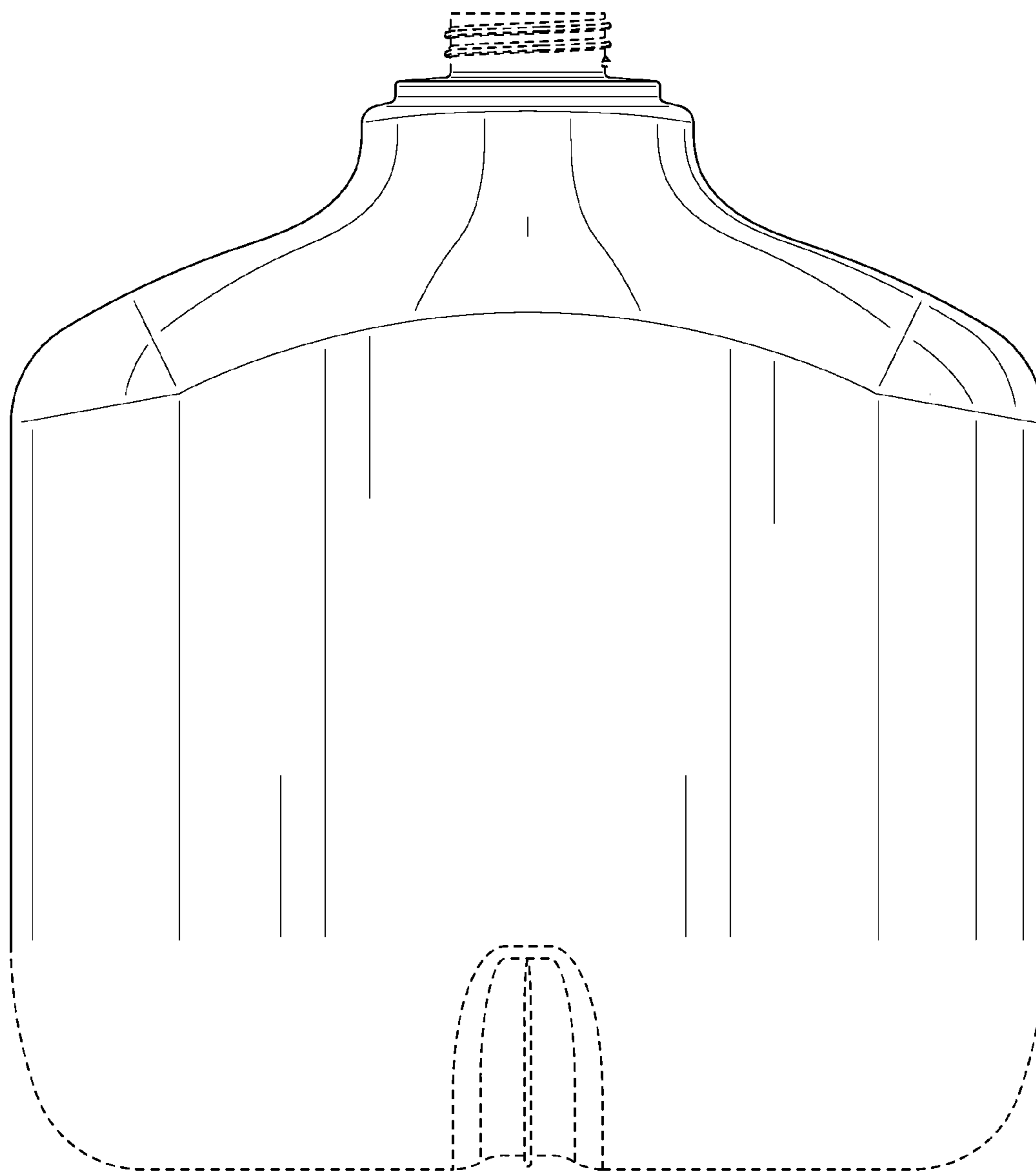


FIG. 4

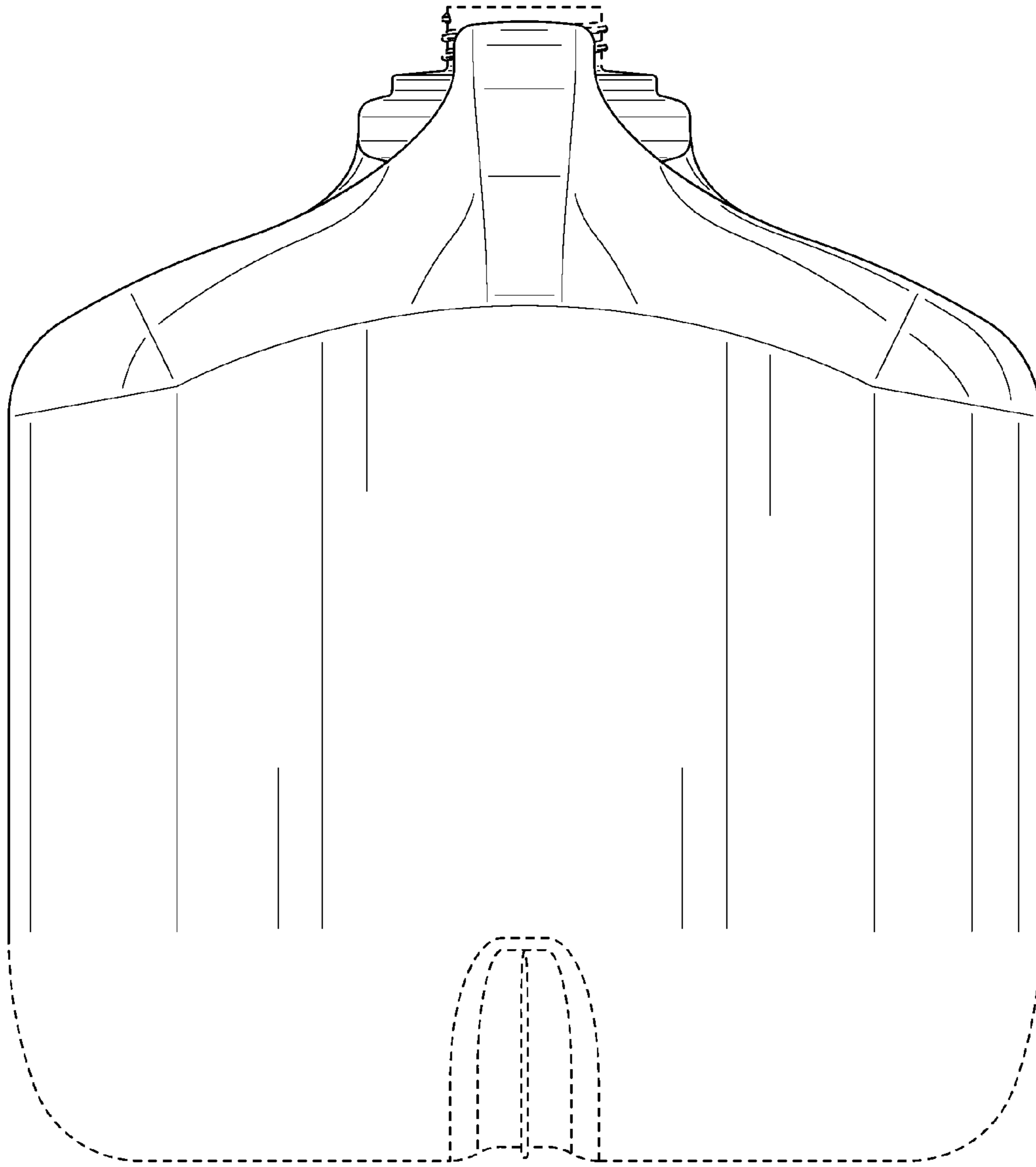


FIG. 5

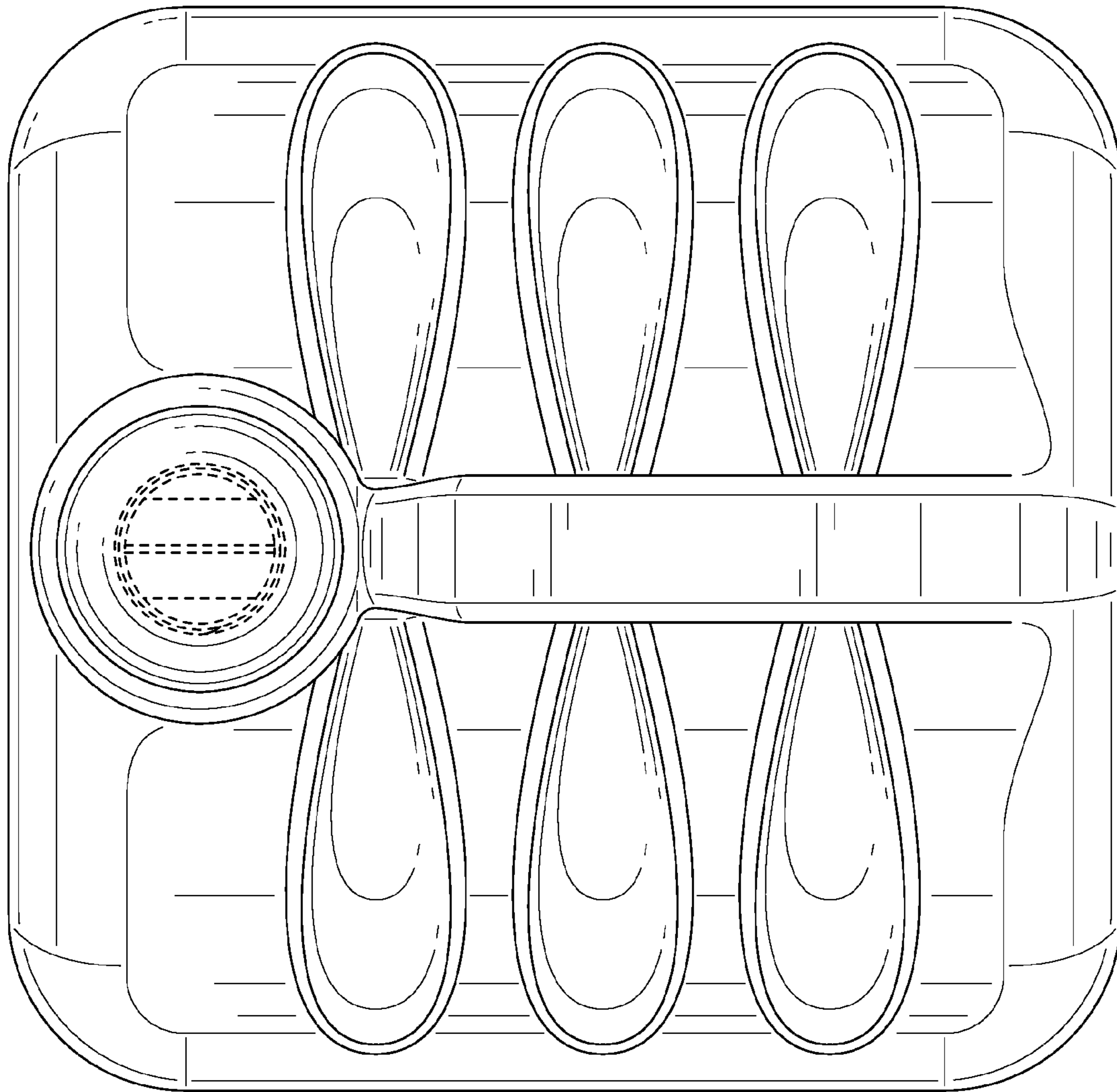


FIG. 6

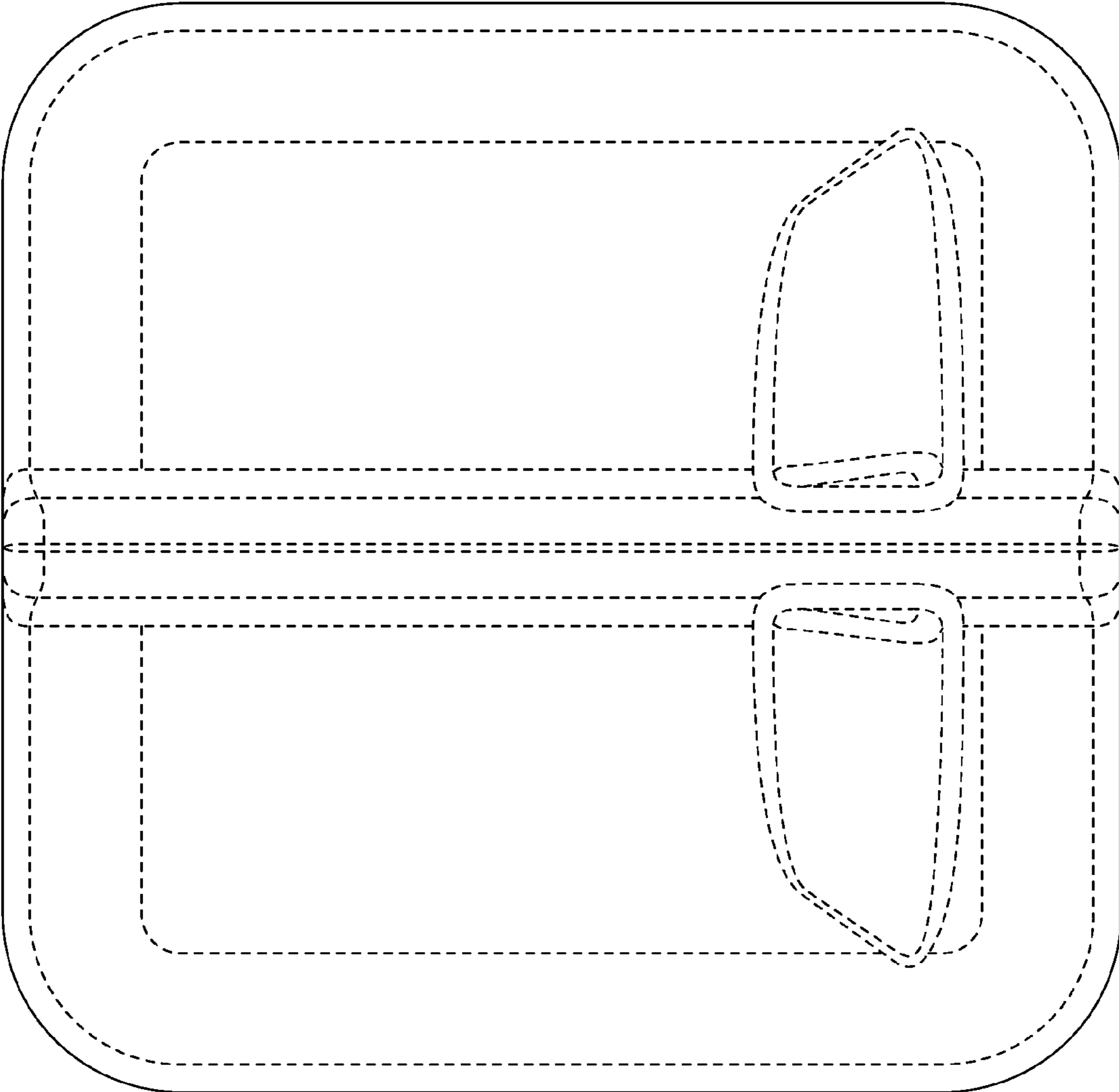


FIG. 7