



US00D624424S

(12) **United States Design Patent**
Fiore et al.

(10) **Patent No.:** **US D624,424 S**

(45) **Date of Patent:** **** Sep. 28, 2010**

(54) **BOTTLE**

(75) Inventors: **Sunshine Judy Fiore**, Norwalk, CT (US); **John David Almstead, Jr.**, Newtown, CT (US); **Matthew Scott Okin**, Cresskill, NJ (US); **Joey Gyomay Nakayama**, Chicago, IL (US); **Manfred Georg F. Zscheile**, Harsefeld (DE)

(73) Assignee: **Conopco, Inc.**, Englewood Cliffs, NJ (US)

(**) Term: **14 Years**

(21) Appl. No.: **29/315,266**

(22) Filed: **Jun. 10, 2009**

(51) **LOC (9) Cl.** **09-01**

(52) **U.S. Cl.** **D9/521; D9/438; D9/552**

(58) **Field of Classification Search** D9/516, D9/520, 521, 529, 549, 550, 551, 552, 563, D9/564, 565, 571, 575, 434, 435, 438; 215/381–385
See application file for complete search history.

(56) **References Cited**

U.S. PATENT DOCUMENTS

D200,019 S	1/1965	Gould	
D244,176 S	5/1977	Pardo	
D372,199 S *	7/1996	Lathrop et al.	D9/558
D376,320 S *	12/1996	Lathrop et al.	D9/558
D391,855 S *	3/1998	Fenton et al.	D9/521
D398,238 S	9/1998	Bertolini et al.	
D399,747 S *	10/1998	Bertolini et al.	D9/520
D423,361 S *	4/2000	Negre	D9/521
D437,559 S *	2/2001	Fenton et al.	D9/558
D443,515 S *	6/2001	Fenton et al.	D9/521
D461,718 S *	8/2002	Brozell	D9/529
D468,643 S	1/2003	Kuzma et al.	
D486,395 S	2/2004	Lovell et al.	
D509,142 S	9/2005	Blasko et al.	
D509,441 S	9/2005	Wilson et al.	
D541,657 S *	5/2007	Mongeon et al.	D9/516
D543,112 S *	5/2007	Bridgman et al.	D9/516
D543,119 S *	5/2007	McConville et al.	D9/729

D543,461 S *	5/2007	Mongeon et al.	D9/516
D545,682 S	7/2007	Mongeon et al.	
D546,696 S *	7/2007	Penfold et al.	D9/529
D556,586 S	12/2007	Mongeon et al.	
D558,578 S *	1/2008	Mongeon et al.	D9/529
D573,890 S *	7/2008	Mongeon et al.	D9/529
D578,892 S *	10/2008	Bridgman et al.	D9/522
D585,283 S *	1/2009	Bridgman et al.	D9/522
D585,284 S *	1/2009	Bridgman et al.	D9/522
D585,289 S *	1/2009	Toh	D9/529
D587,127 S *	2/2009	Moreira et al.	D9/565

(Continued)

OTHER PUBLICATIONS

WO 000060934.0001, Containers, Henkel, Registration No. D060934-001, Registration Date Aug. 5, 2002.

(Continued)

Primary Examiner—Stella M Reid

Assistant Examiner—Elizabeth J Oswecki

(74) *Attorney, Agent, or Firm*—Alan A. Bornstein

(57)

CLAIM

The ornamental design for a bottle, as shown and described.

DESCRIPTION

FIG. 1 is a front perspective view of a bottle showing our new design;

FIG. 2 is a front elevational view thereof;

FIG. 3 is a back elevational view thereof;

FIG. 4 is a right side elevational view thereof;

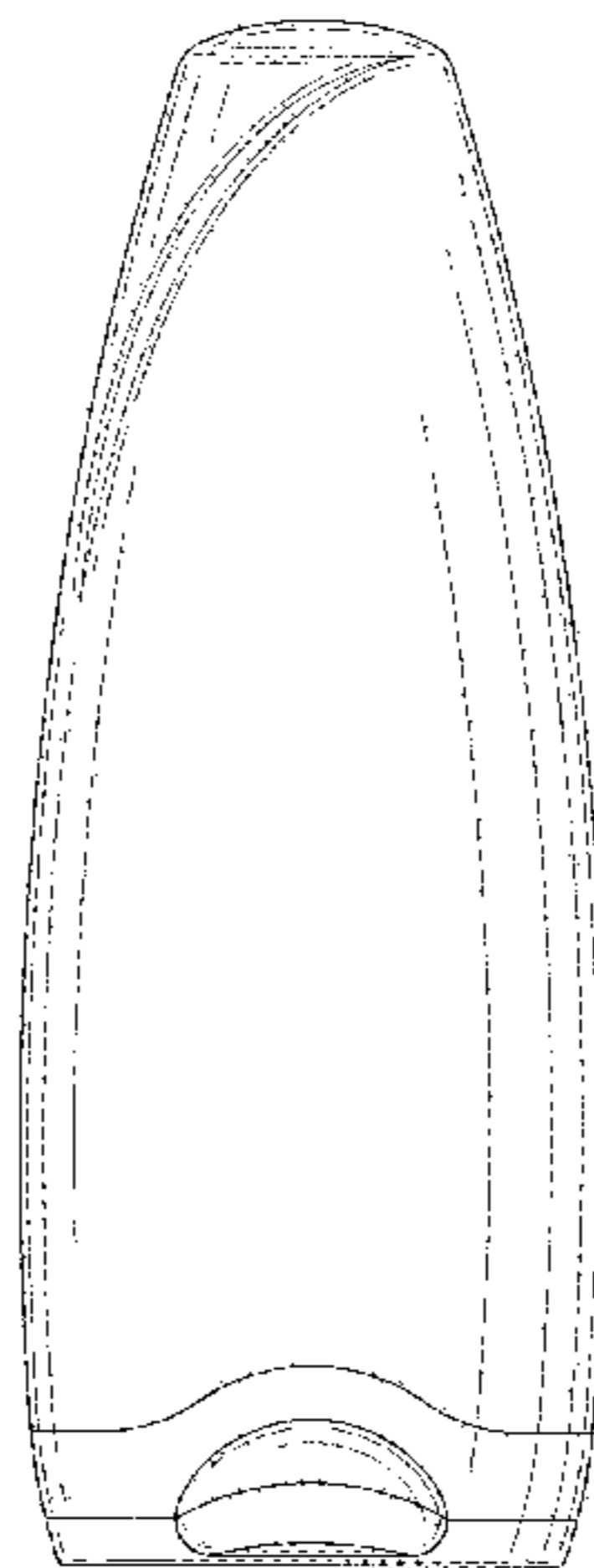
FIG. 5 is a top plan view thereof; and,

FIG. 6 is a bottom plan view thereof.

All sides of the bottle not shown form no part of the claimed design.

Portions of the bottle shown in broken lines form no part of the claimed design.

1 Claim, 5 Drawing Sheets



US D624,424 S

Page 2

U.S. PATENT DOCUMENTS

D591,599 S * 5/2009 Okin et al. D9/521
D598,769 S * 8/2009 Toh et al. D9/521
D601,900 S * 10/2009 Plemster D9/521

OTHER PUBLICATIONS

WO 000065165.0001, Bottle, Henkel, Registration No. D065165-001, Registration Date Mar. 4, 2004.
WO 000065642.0001, Head stand bottles, Henkel, Registration No. D065642-001, Registration Date Jun. 25, 2004.

WO 000065642.0004, Head stand bottles, Henkel, Registration No. D065642-004, Registration Date Jun. 25, 2004.
WO 000065642.0006, Head stand bottles, Henkel, Registration No. D065642-006, Registration Date Jun. 25, 2004.
WO 000069232.0001, Containers, Henkel, Registration No. D069232-001, Registration Date Aug. 13, 2007.
WO 000069232.0002, Containers, Henkel, Registration No. D069232-002, Registration Date Aug. 13, 2007.
"Skin Bliss Unique Shower Lotion sold by Cussons", Jun. 10, 2009, 2 pp. (previously submitted).

* cited by examiner

FIG. 1

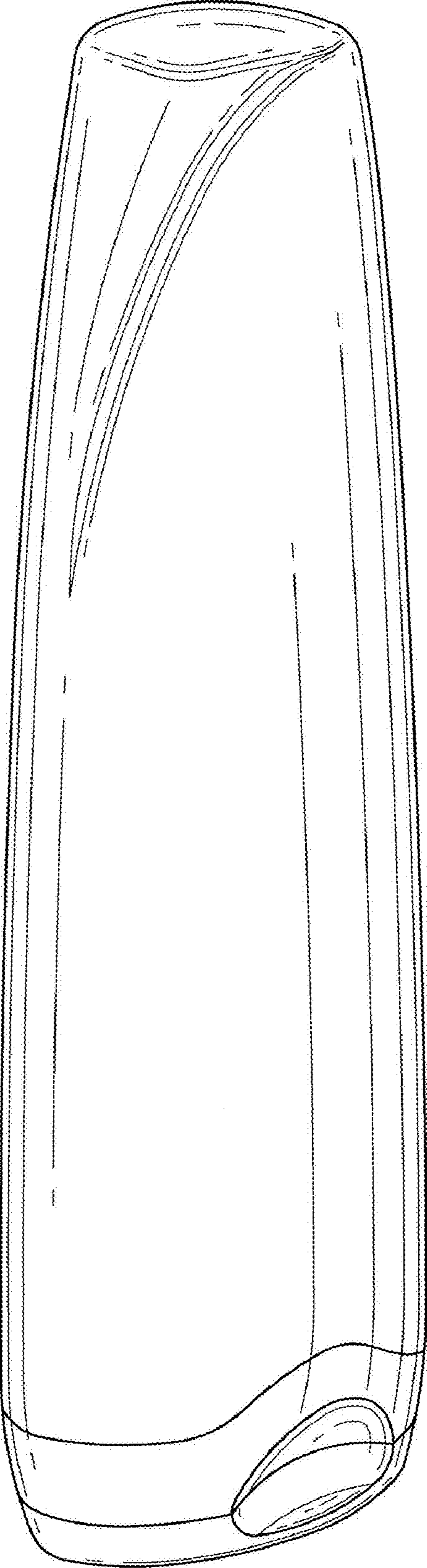


FIG. 2



FIG. 3

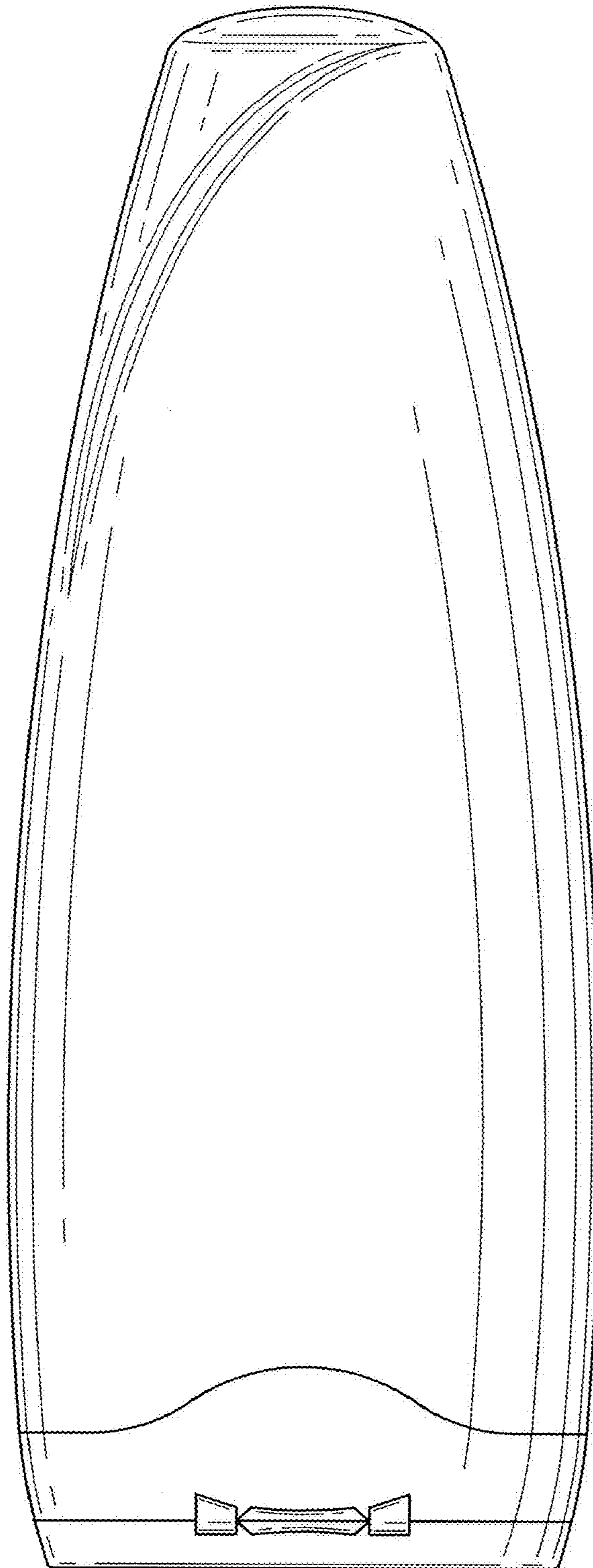


FIG. 4

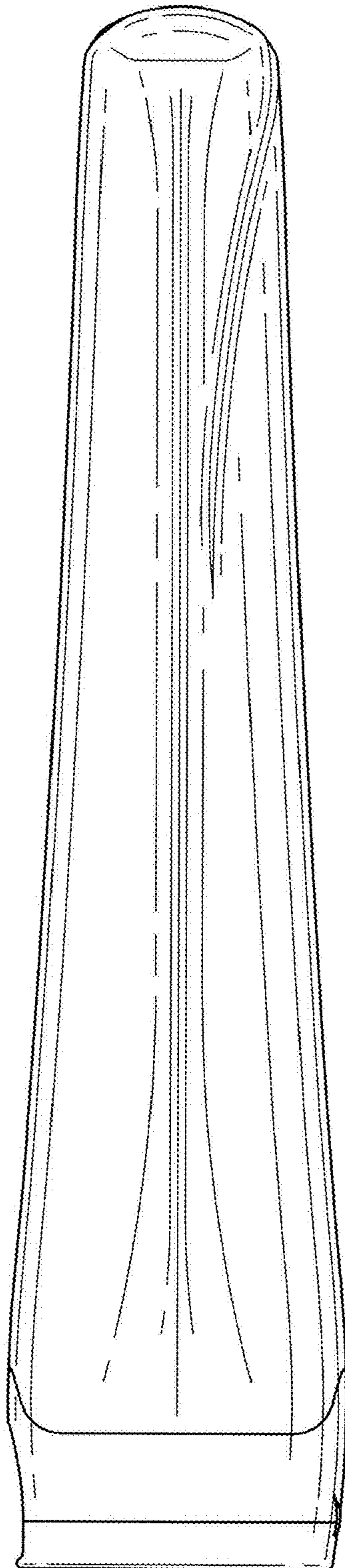


FIG. 5

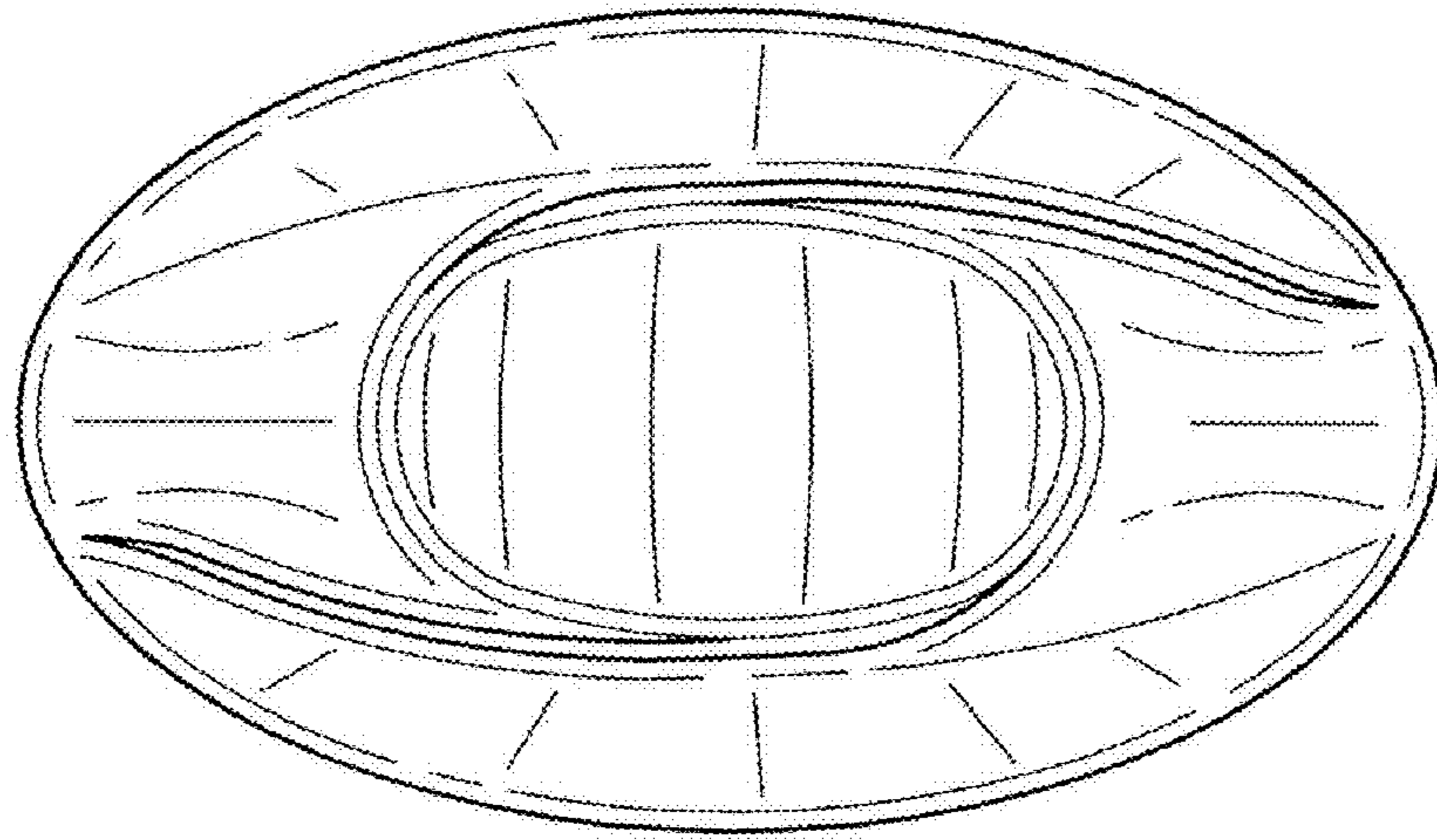


FIG. 6

