



US00D624423S

(12) **United States Design Patent**  
**Kissinger et al.**

(10) **Patent No.:** **US D624,423 S**

(45) **Date of Patent:** **\*\* Sep. 28, 2010**

(54) **CONTAINER UPPER BODY PORTION**

(75) Inventors: **Jeffrey Kissinger**, Wadsworth, OH (US);  
**Sarah Perez**, Akron, OH (US)

(73) Assignee: **Plastipak Packaging, Inc.**, Plymouth,  
MI (US)

(\*\*) Term: **14 Years**

(21) Appl. No.: **29/361,227**

(22) Filed: **May 7, 2010**

(51) **LOC (9) Cl.** ..... **09-01**

(52) **U.S. Cl.** ..... **D9/516; D9/569; D9/565;**  
D9/571

(58) **Field of Classification Search** ..... D9/434,  
D9/516, 523, 530, 541, 543, 565, 569, 570,  
D9/571, 672, 675; 215/381-385  
See application file for complete search history.

(56) **References Cited**

U.S. PATENT DOCUMENTS

D195,600	S	*	7/1963	Neyman	.....	D9/523
3,232,495	A	*	2/1966	Schneider	.....	222/209
D303,628	S	*	9/1989	Beaver	.....	D9/523
4,877,142	A	*	10/1989	Doering	.....	215/382
D309,100	S	*	7/1990	Beaver	.....	D9/523
D357,188	S	*	4/1995	Stockwell et al.	.....	D9/543
D376,978	S	*	12/1996	Silvers et al.	.....	D9/434
D387,673	S	*	12/1997	Crawford	.....	D9/575
D415,689	S	*	10/1999	Voight et al.	.....	D9/543
D429,644	S	*	8/2000	Hughes	.....	D9/528
D446,726	S	*	8/2001	Hall et al.	.....	D9/522
D480,832	S	*	10/2003	Angeletta	.....	D28/7
D485,187	S	*	1/2004	Stinedurf	.....	D9/523
D487,874	S	*	3/2004	Syrek	.....	D9/528
D508,407	S	*	8/2005	Busch et al.	.....	D9/522
D533,303	S	*	12/2006	Angeletta	.....	D28/7
D565,415	S	*	4/2008	Lablaine	.....	D9/531
D568,748	S	*	5/2008	Harrison et al.	.....	D9/516
D595,579	S	*	7/2009	Feen	.....	D9/516

D600,561	S	*	9/2009	Feen	.....	D9/541
D604,616	S	*	11/2009	Farrell et al.	.....	D9/516
D612,244	S	*	3/2010	Farrell et al.	.....	D9/516
D614,494	S	*	4/2010	Palmer et al.	.....	D9/516
D614,958	S	*	5/2010	Smith et al.	.....	D9/516

\* cited by examiner

*Primary Examiner*—Stella M Reid

*Assistant Examiner*—Elizabeth J Oswecki

(74) *Attorney, Agent, or Firm*—Dykema Gossett PLLC

(57) **CLAIM**

The ornamental design for a container upper body portion, as shown and described.

**DESCRIPTION**

FIG. 1 is a perspective view of a container upper body portion showing our new design as seen from the top, front and right side;

FIG. 2 is a front elevational view of the container body portion shown in FIG. 1;

FIG. 3 is a rear elevational view of the container body portion shown in FIG. 1;

FIG. 4 is a right side elevational view of the container body portion shown in FIG. 1;

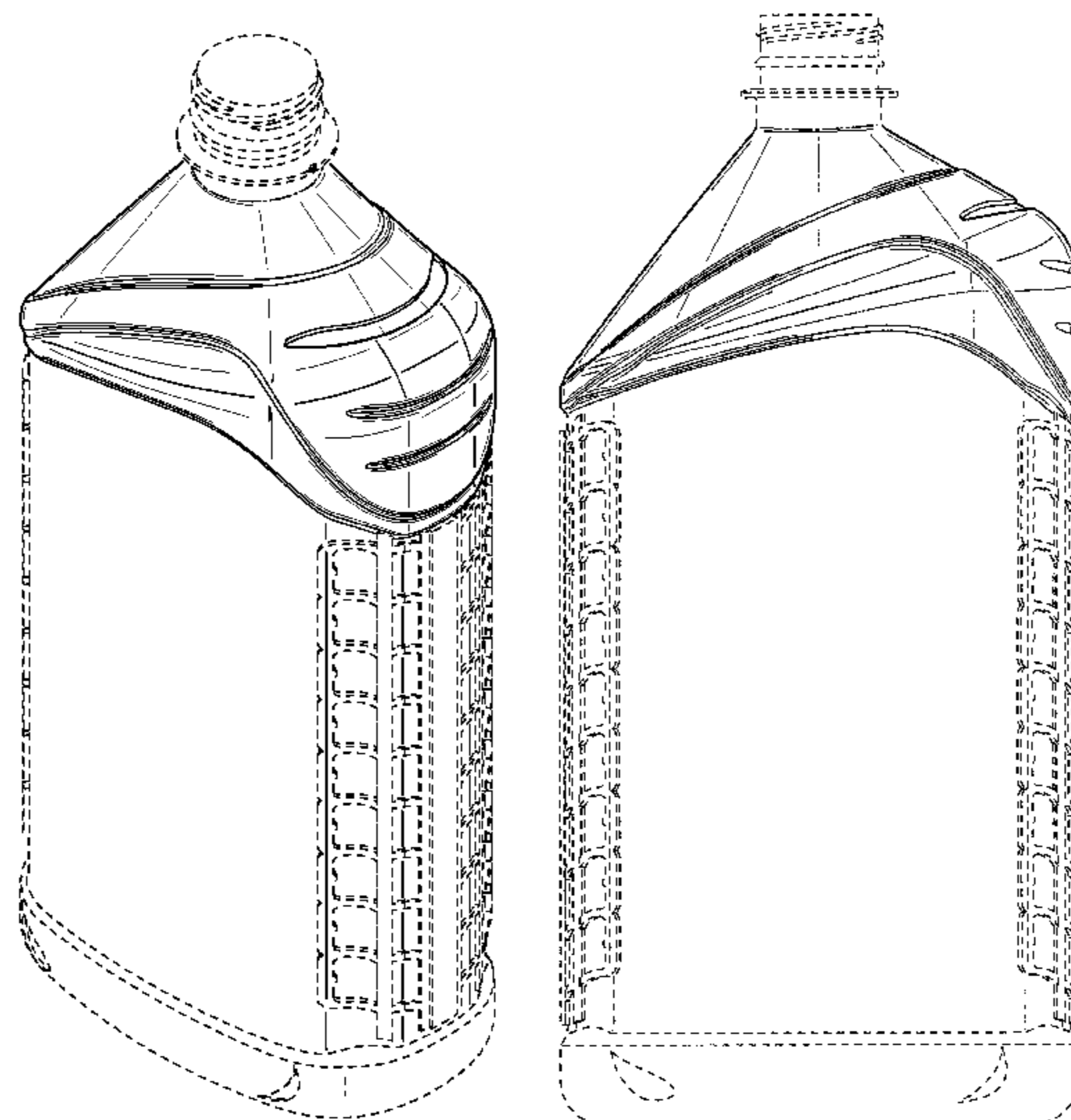
FIG. 5 is a left side elevational view of the container body portion shown in FIG. 1;

FIG. 6 is a top plan view of the container body portion shown in FIG. 1; and,

FIG. 7 is a bottom plan view of the container body portion shown in bottom perspective view of the leveler cap shown in FIG. 1.

The dashed line showing in the drawings is for illustrative purposes only and forms no part of the claimed design. The dot-dash-dot line showing in the drawings defines the boundary of the claim and forms no part of the claimed design.

**1 Claim, 6 Drawing Sheets**



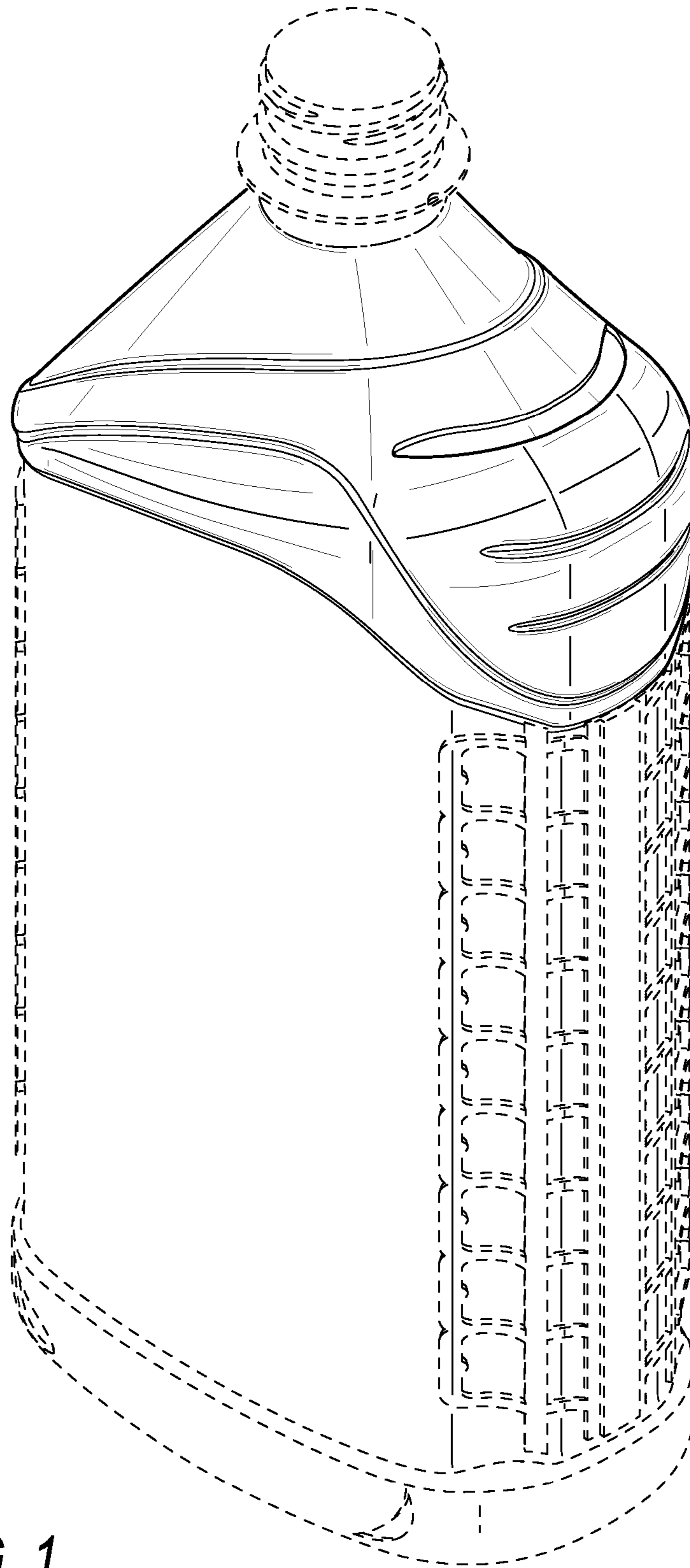


FIG. 1

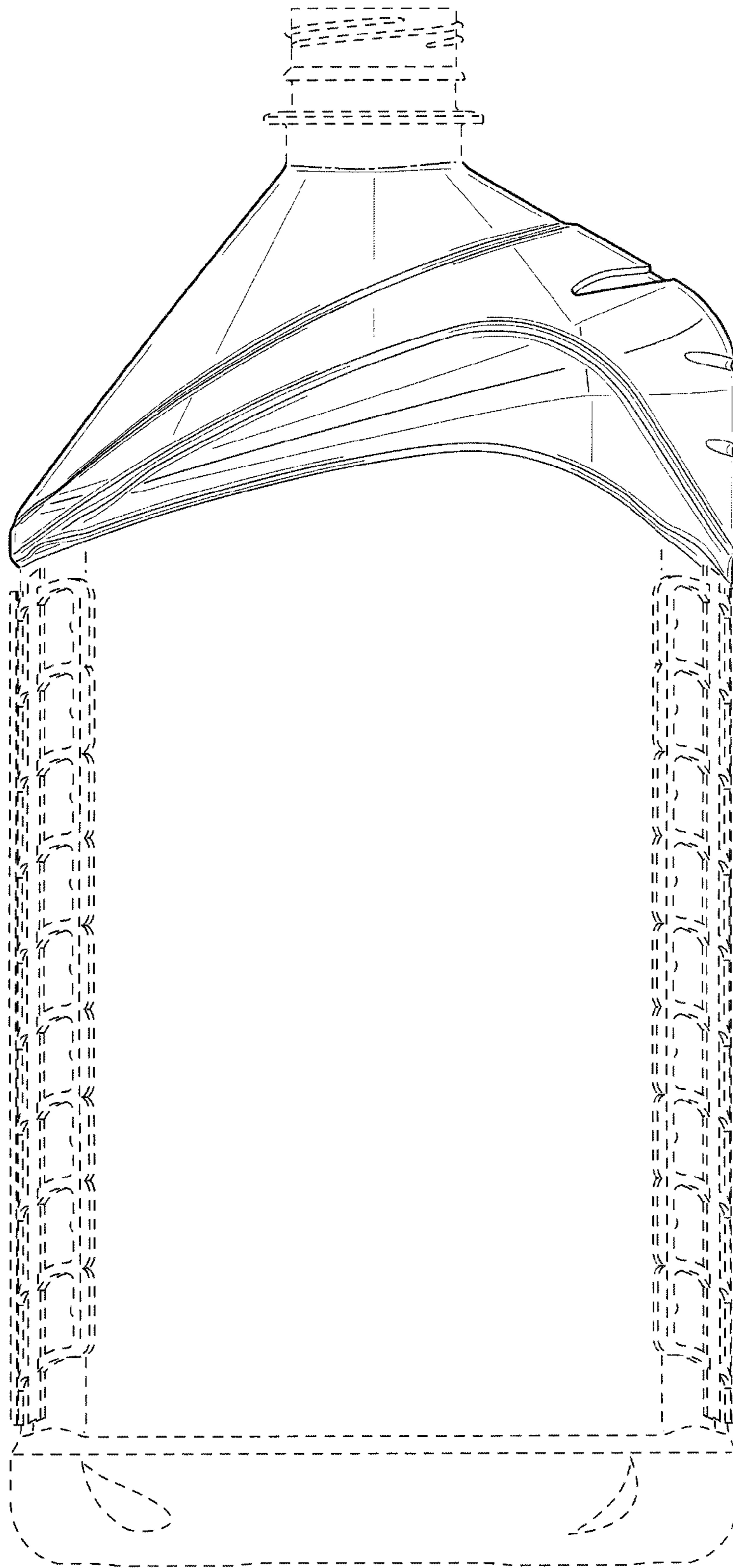


FIG. 2



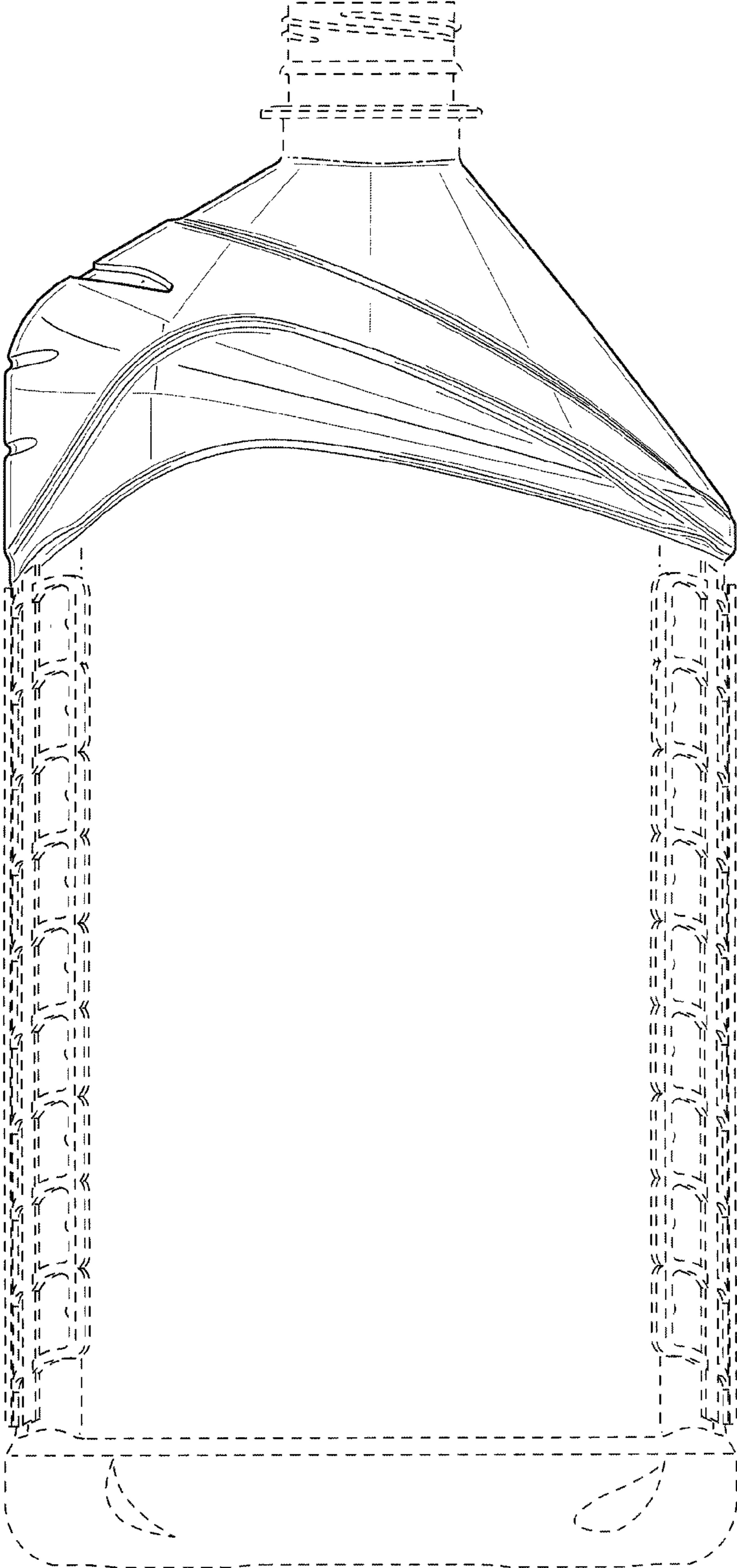


FIG. 3

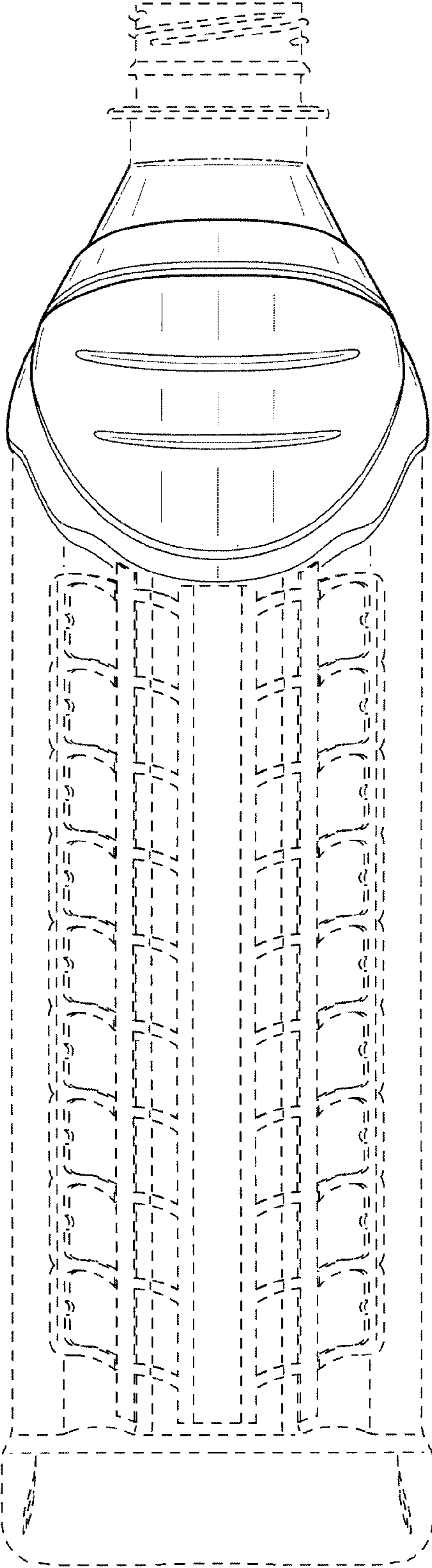


FIG. 4

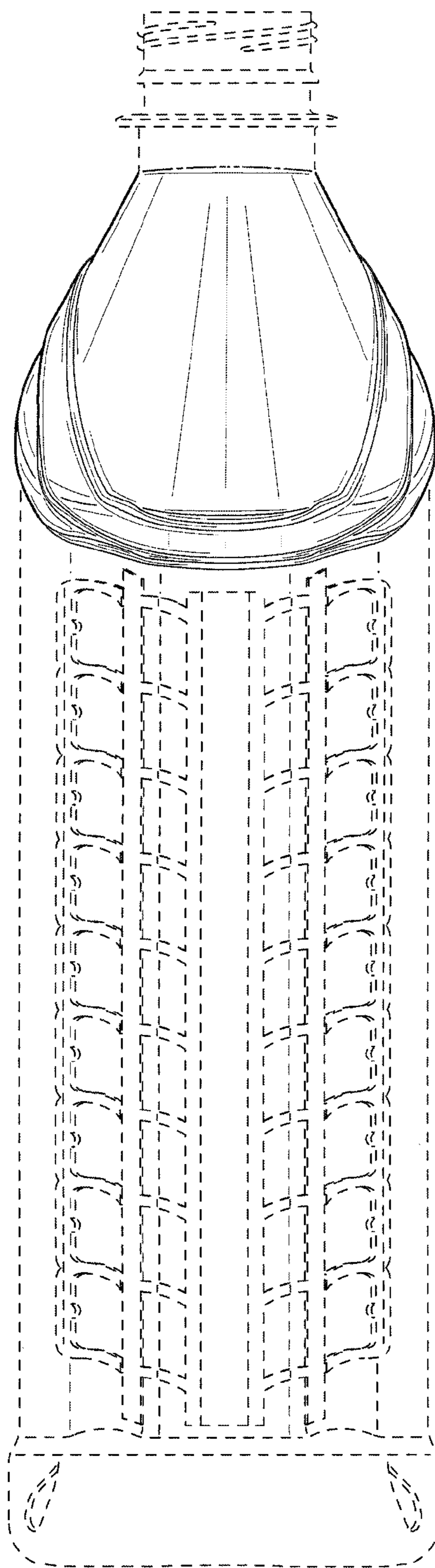


FIG. 5

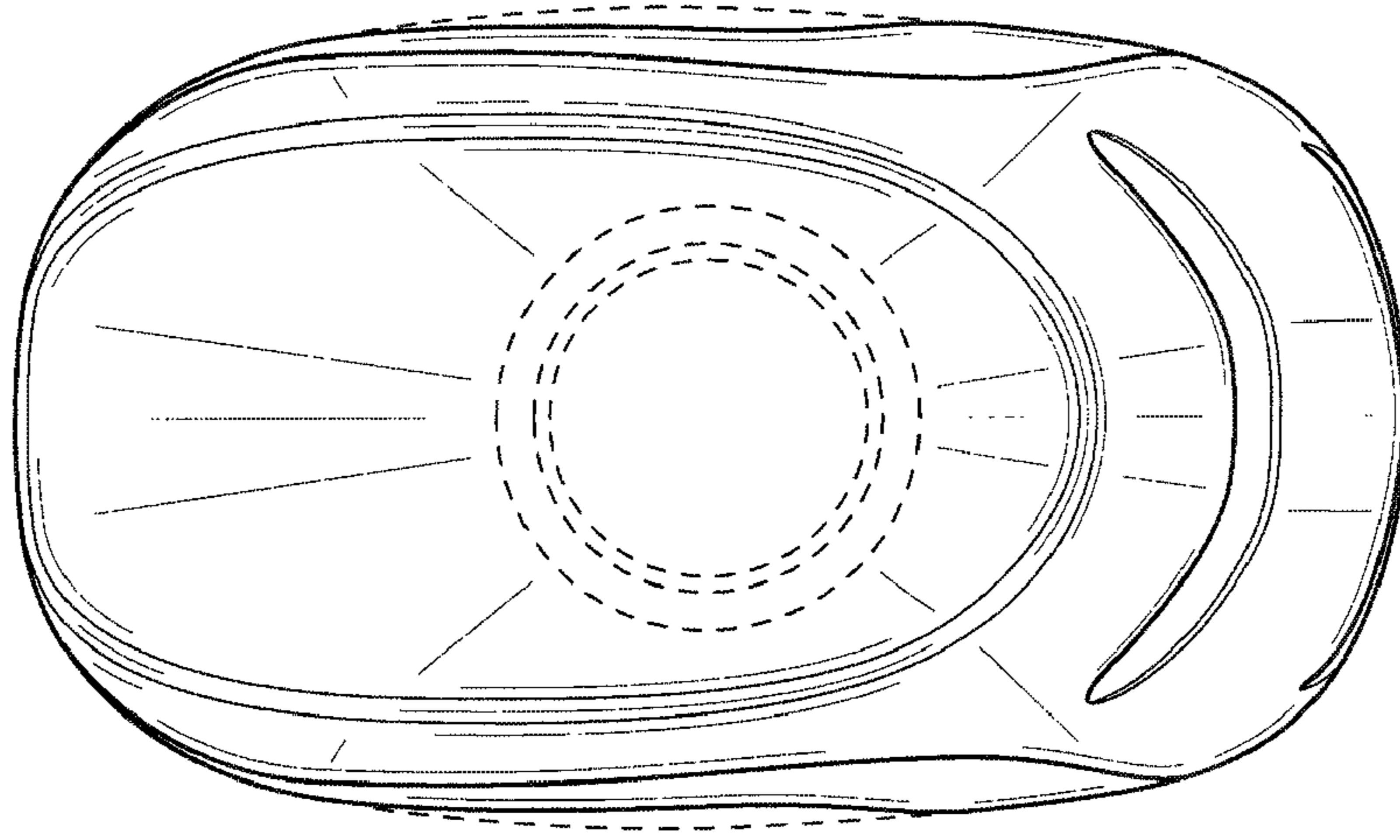


FIG. 6

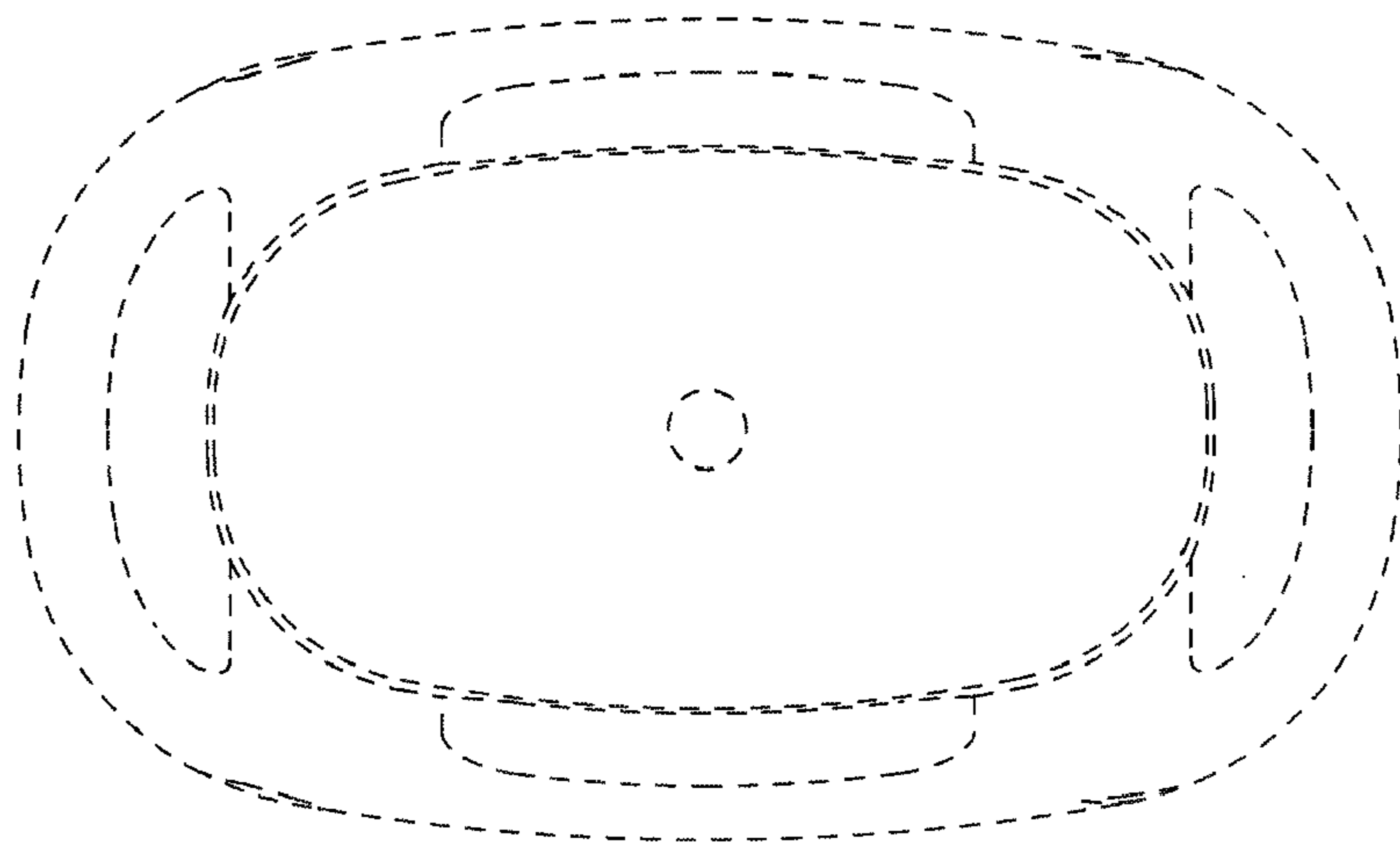


FIG. 7