

US00D624414S

(12) **United States Design Patent**
Benoit-Gonin et al.

(10) **Patent No.:** **US D624,414 S**
(45) **Date of Patent:** **** Sep. 28, 2010**

(54) **CLOSURE**

(75) Inventors: **Claude Benoit-Gonin**, Odenas (FR);
Fabrice Guerin, Lyons (FR)

(73) Assignee: **Obrist Closures Switzerland GmbH**,
Reinach (CH)

(**) Term: **14 Years**

(21) Appl. No.: **29/344,334**

(22) Filed: **Sep. 28, 2009**

(30) **Foreign Application Priority Data**

May 15, 2009 (EM) 001138754-0001

(51) **LOC (9) Cl.** **19-07**

(52) **U.S. Cl.** **D9/449**

(58) **Field of Classification Search** D9/529,
D9/504, 503, 454, 453, 452, 450, 449, 447,
D9/446, 443, 435; D7/900, 396.2, 392.1;
222/556, 544, 494, 480, 472, 321.9, 212,
222/185.1; 220/837, 835, 813, 810, 375,
220/254.5; 215/305, 228, 226, 200

See application file for complete search history.

(56) **References Cited**

U.S. PATENT DOCUMENTS

4,165,815 A * 8/1979 Vetter 220/4.27
6,283,317 B1 9/2001 Benoit-gonin et al.
D521,381 S * 5/2006 Hicks et al. D9/449

D521,866 S * 5/2006 Hicks et al. D9/449
D536,974 S * 2/2007 Smith et al. D9/449
D536,975 S * 2/2007 Smith et al. D9/449
D577,287 S * 9/2008 Haltom, III D9/449
D594,747 S * 6/2009 Moretti D9/449
D607,726 S * 1/2010 Wisniewski D9/449
2006/0191933 A1 * 8/2006 Hicks et al. 220/254.3

FOREIGN PATENT DOCUMENTS

FR 2 744 100 1/1996

* cited by examiner

Primary Examiner—Susan Bennett Hattan

(74) *Attorney, Agent, or Firm*—Lackenback Siegel, LLP;
Andrew F. Young

(57) **CLAIM**

The ornamental design for a closure, as shown and described.

DESCRIPTION

FIG. 1 is a front perspective view of the present invention.

FIG. 2 is a rear perspective view of FIG. 1.

FIG. 3 is a top view of FIG. 1.

FIG. 4 is a front elevation view of FIG. 1.

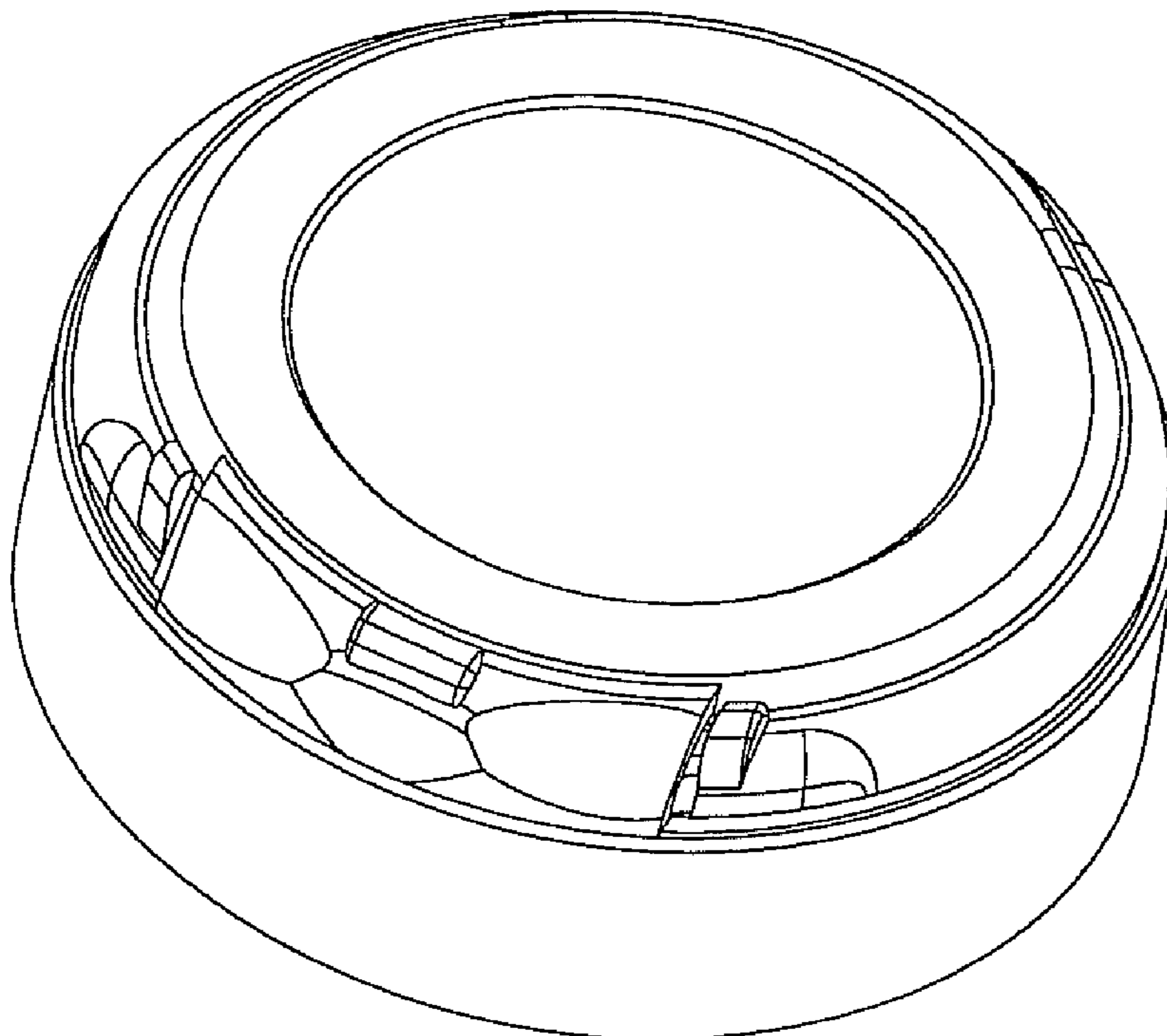
FIG. 5 is a right side elevation view of FIG. 1.

FIG. 6 is a left side elevation view of FIG. 1; and,

FIG. 7 is a rear elevation view of FIG. 1.

The present invention is a design for a closure for a container.

1 Claim, 5 Drawing Sheets



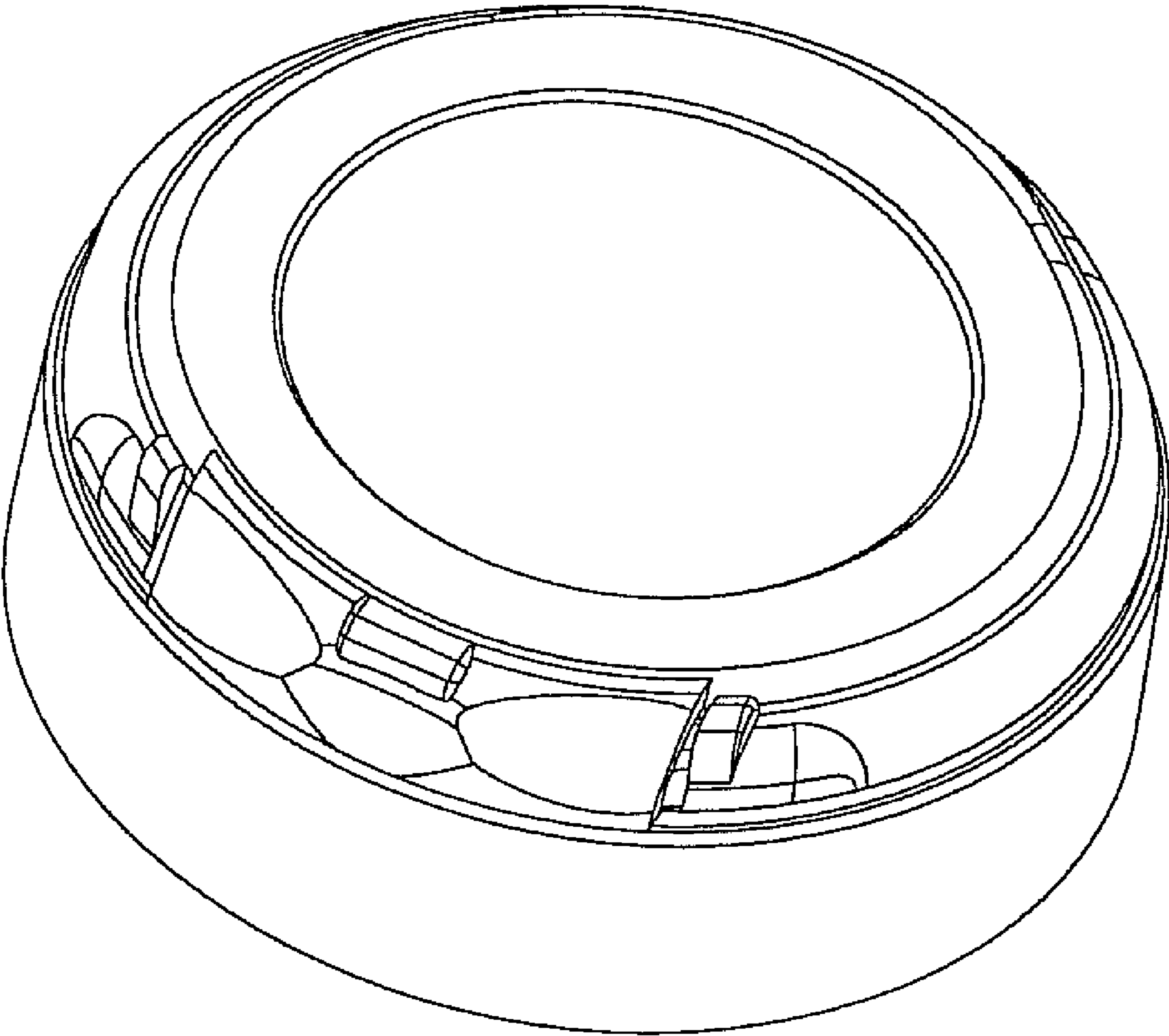


FIG. 1

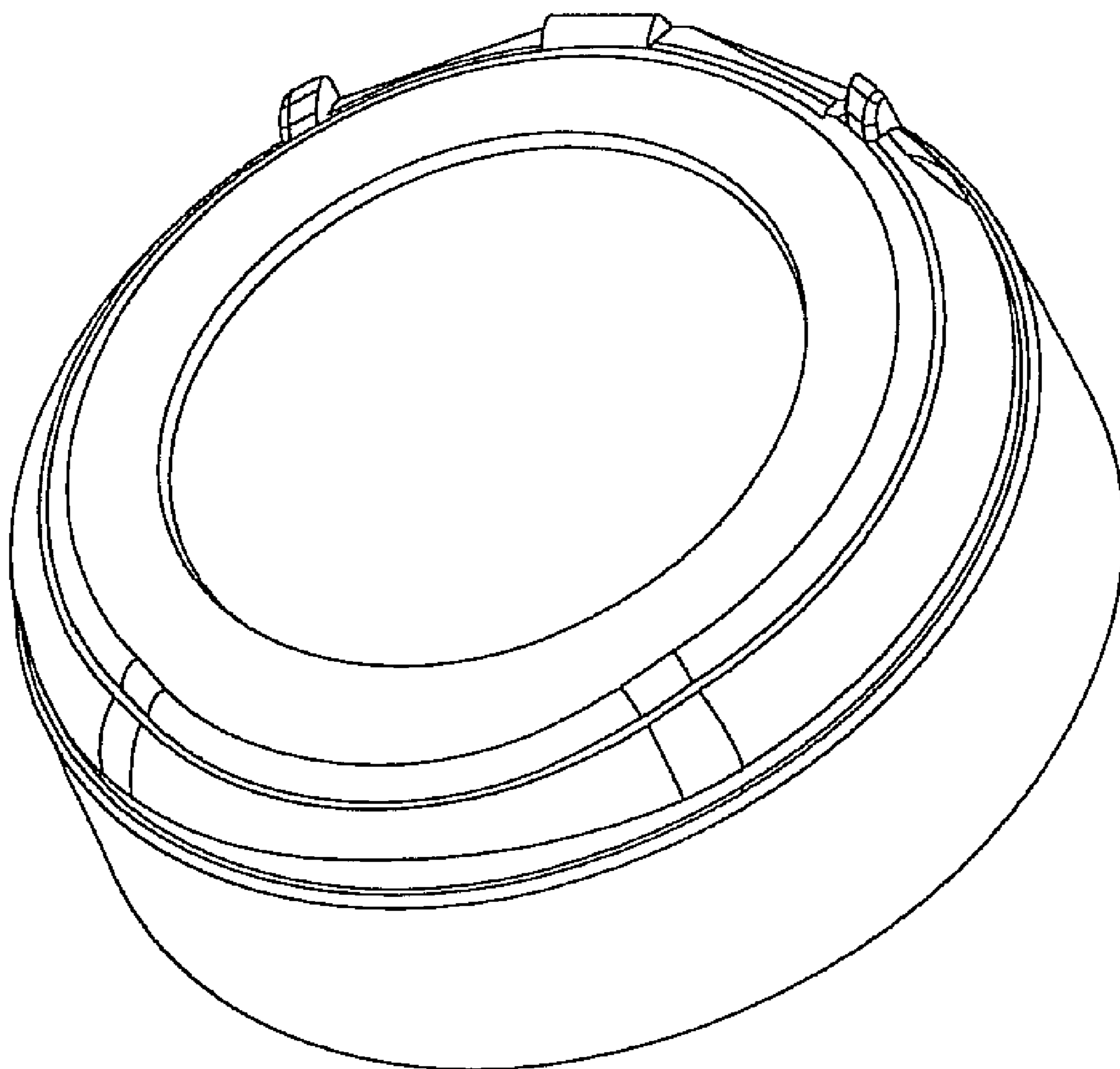


FIG. 2

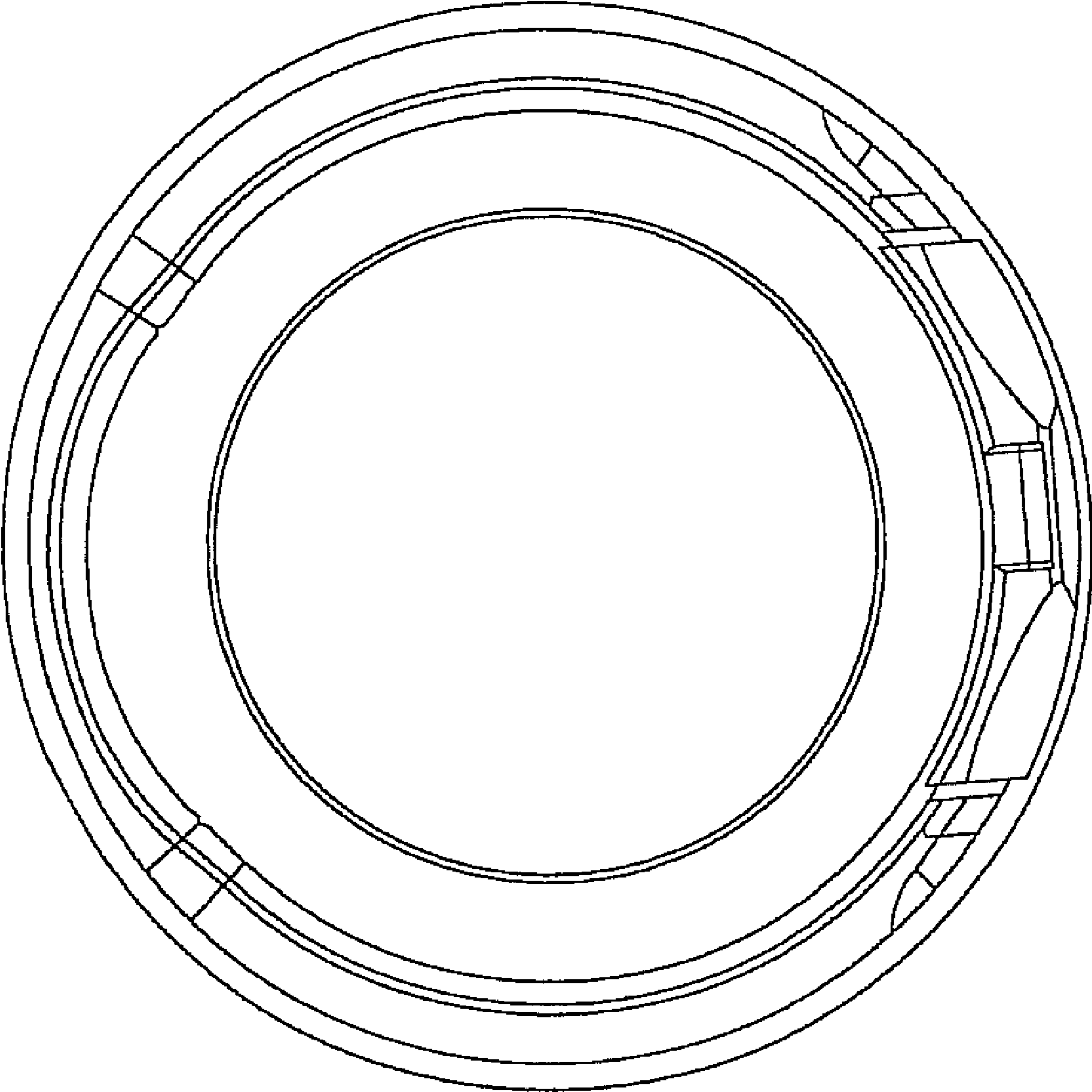


FIG. 3

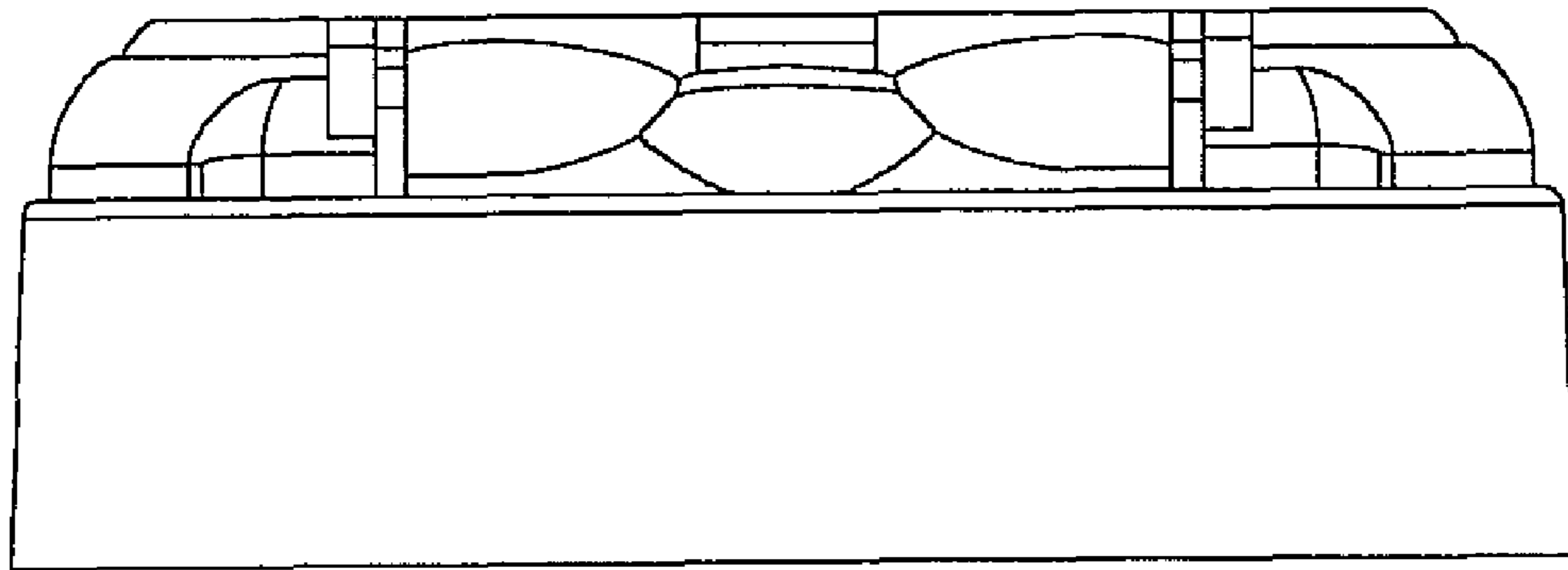


FIG. 7

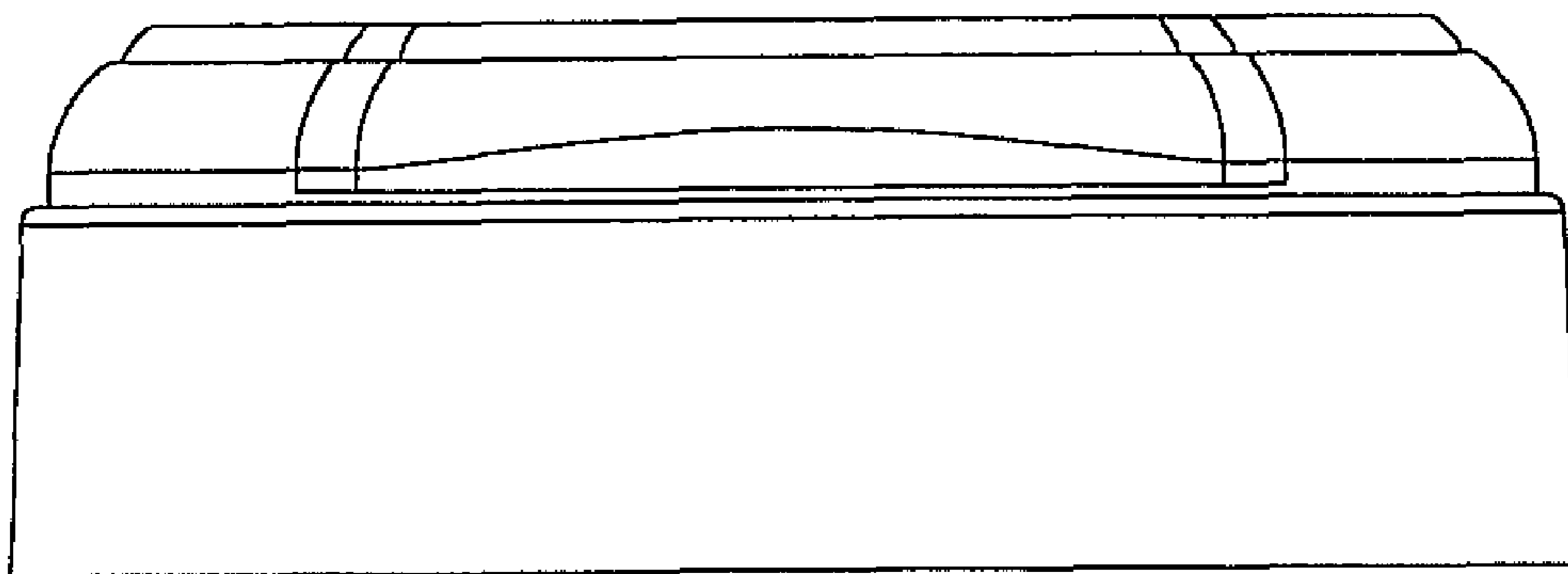


FIG. 4

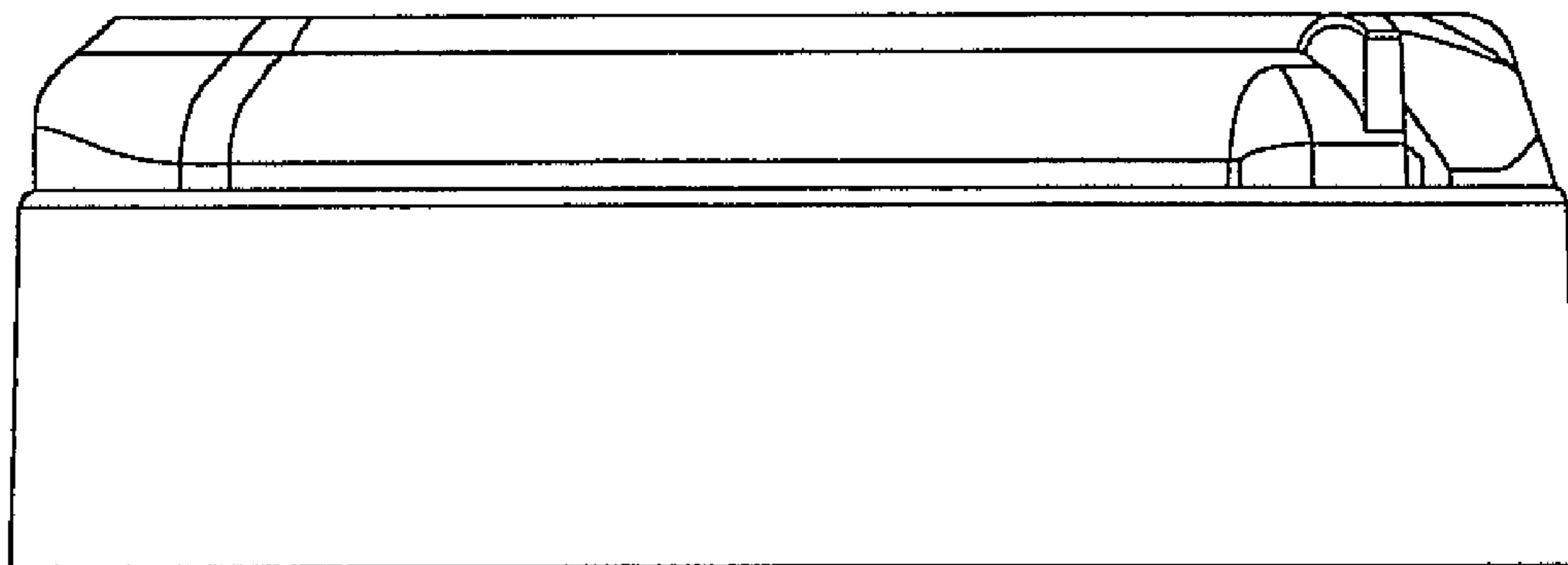


FIG. 6

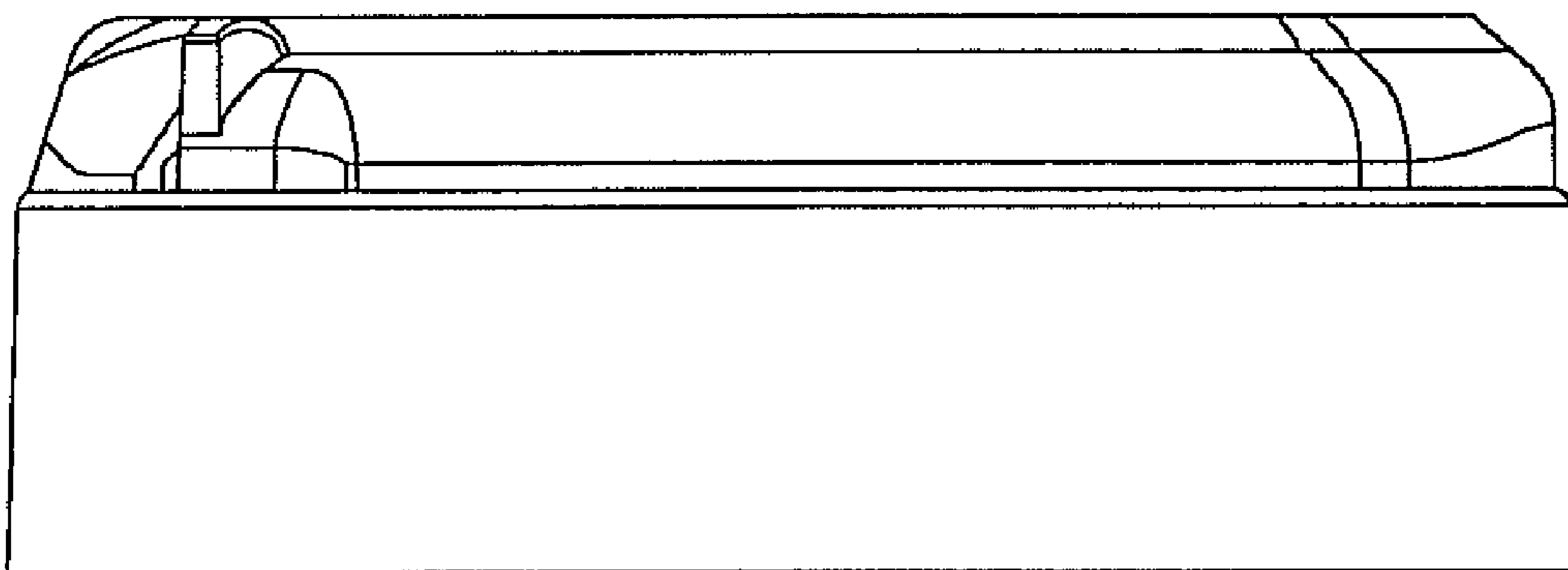


FIG. 5