



US00D624413S

(12) **United States Design Patent**
Selina et al.

(10) **Patent No.:** **US D624,413 S**

(45) **Date of Patent:** **** *Sep. 28, 2010**

(54) **RECLOSEABLE HOT CUP LID**

(75) Inventors: **John Robert Selina**, Brighton, MI (US);
Wayne Joseph Harper, Macomb
Township, MI (US)

(73) Assignee: **Letica Corporation**, Rochester, MI (US)

(*) Notice: This patent is subject to a terminal dis-
claimer.

(**) Term: **14 Years**

(21) Appl. No.: **29/325,383**

(22) Filed: **Sep. 30, 2008**

(51) **LOC (9) Cl.** **09-07**

(52) **U.S. Cl.** **D9/447**

(58) **Field of Classification Search** D9/454,
D9/449, 447, 443, 438, 435; D7/608, 510,
D7/396.2, 392.1; 229/906.1; 220/713, 712,
220/711, 270, 254.1–254.9

See application file for complete search history.

(56) **References Cited**

U.S. PATENT DOCUMENTS

4,202,459	A	5/1980	DeParales et al.	
D418,363	S *	1/2000	Barnes et al.	D7/392
D467,500	S *	12/2002	Cudmore et al.	D9/435
6,612,456	B1	9/2003	Hundley et al.	
D487,399	S *	3/2004	Schmidtner et al.	D9/449
D493,718	S *	8/2004	Durdon	D9/435
6,889,860	B2	5/2005	Mazzarolo	

6,929,143	B2 *	8/2005	Mazzarolo	220/254.3
D535,561	S *	1/2007	Smith et al.	D9/454
D540,165	S *	4/2007	Hollis et al.	D9/447
D540,673	S *	4/2007	Hollis et al.	D9/447
D541,651	S *	5/2007	Hollis et al.	D9/447
D570,686	S *	6/2008	Hollis et al.	D9/447
D589,747	S *	4/2009	Wong	D7/396.2
D592,952	S *	5/2009	Hundley et al.	D9/447
2003/0089726	A1 *	5/2003	Mazzarolo	220/712
2006/0071008	A1 *	4/2006	Sadlier	220/713

* cited by examiner

Primary Examiner—Susan Bennett Hattan

(74) *Attorney, Agent, or Firm*—Young Basile Hanlon &
MacFarlane, PC

(57) **CLAIM**

The design for a recloseable hot cup lid, as shown.

DESCRIPTION

FIG. 1 is a perspective view of a recloseable hot cup lid according to the invention;

FIG. 2 is a top view of a recloseable hot cup lid according to the invention;

FIG. 3 is a front view of a recloseable hot cup lid according to the invention;

FIG. 4 is a side view of the invention; and,

FIG. 5 is a bottom view of the invention;

FIG. 6 is an side view of the invention; and,

FIG. 7 is an rear view of the invention.

1 Claim, 4 Drawing Sheets



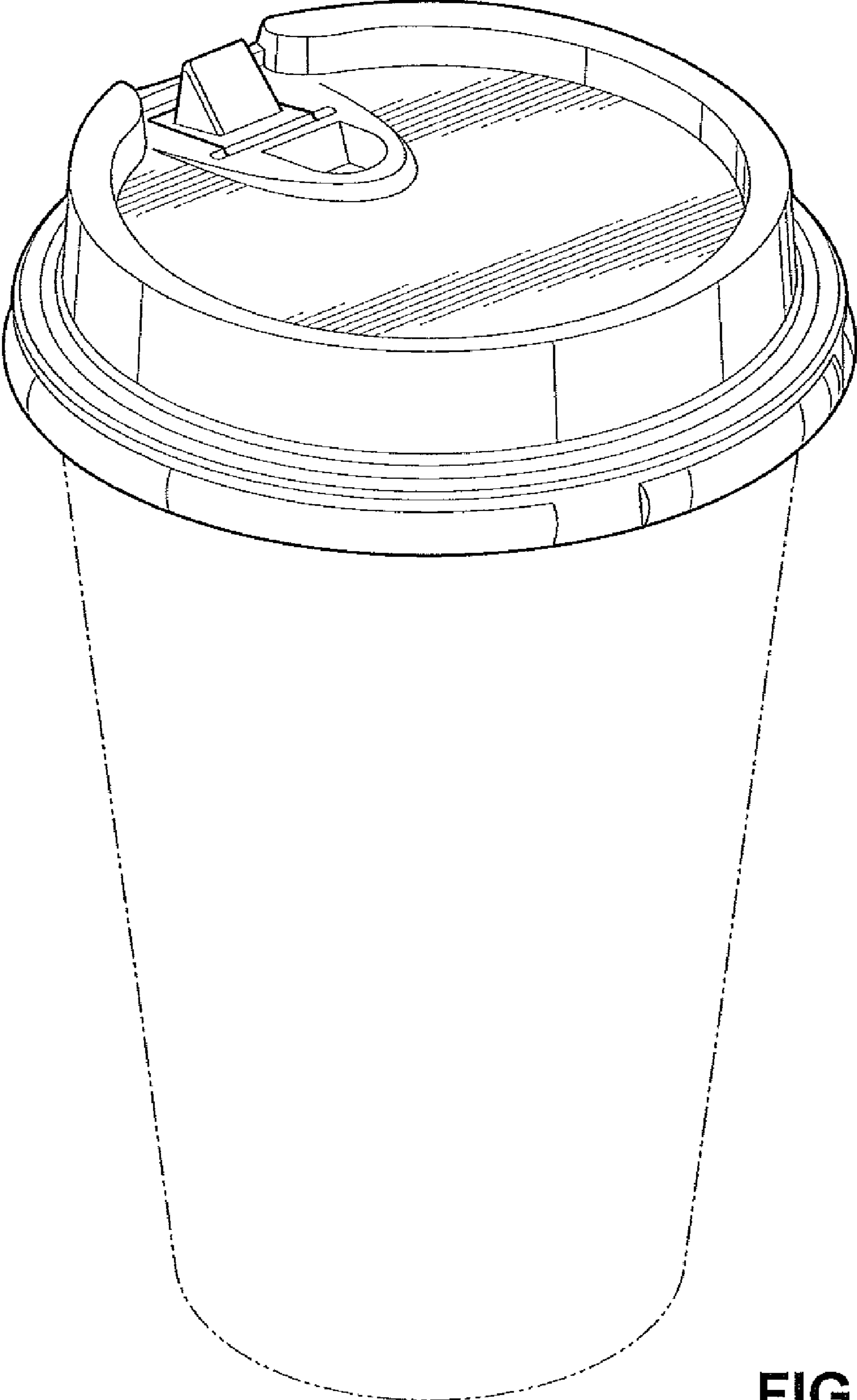


FIG. 1

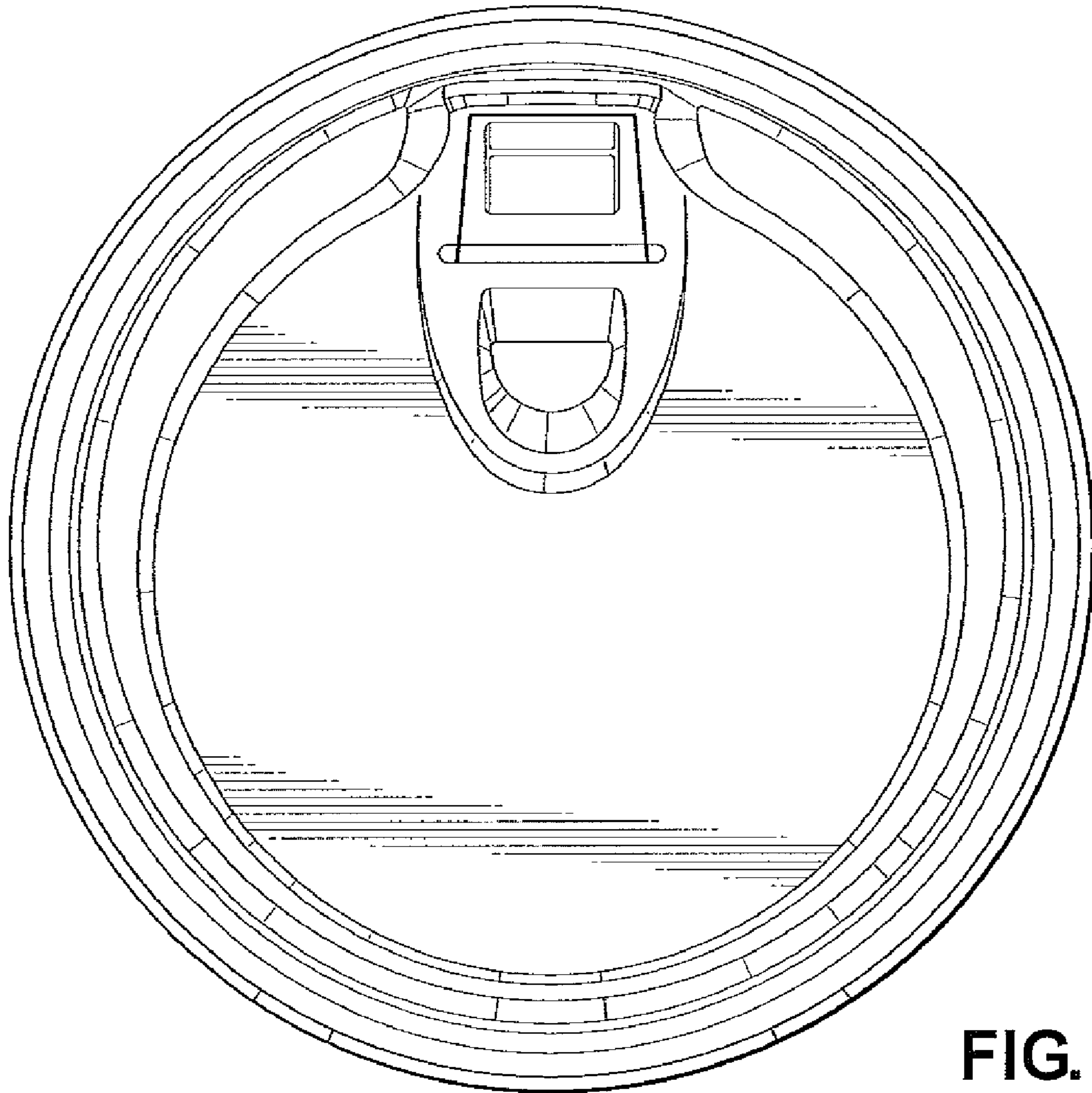


FIG. 2

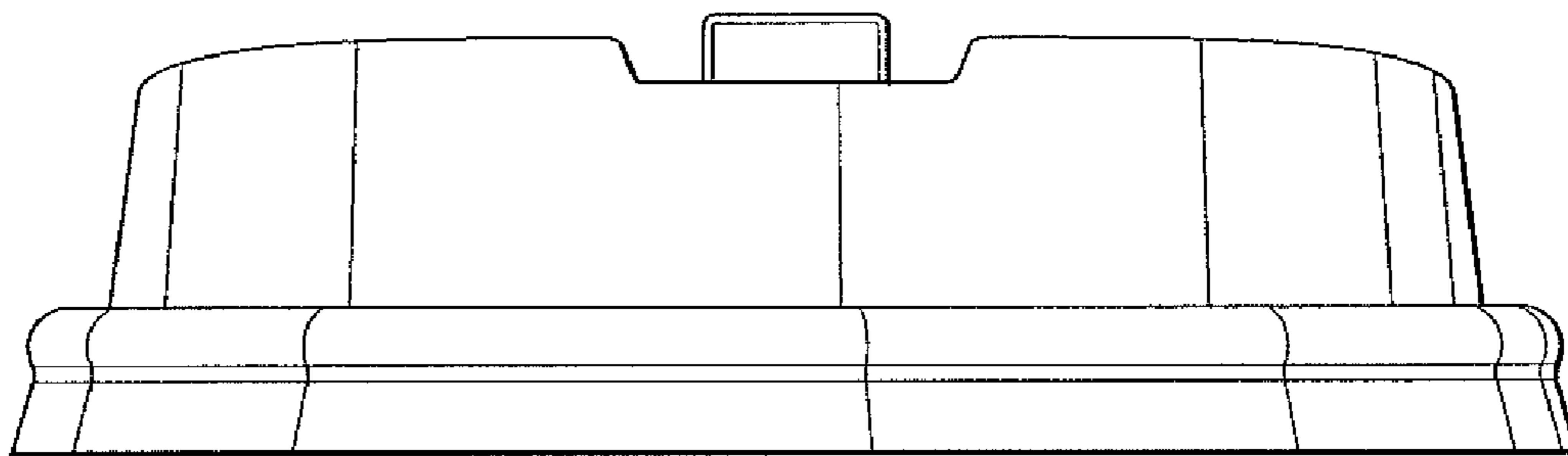


FIG. 3

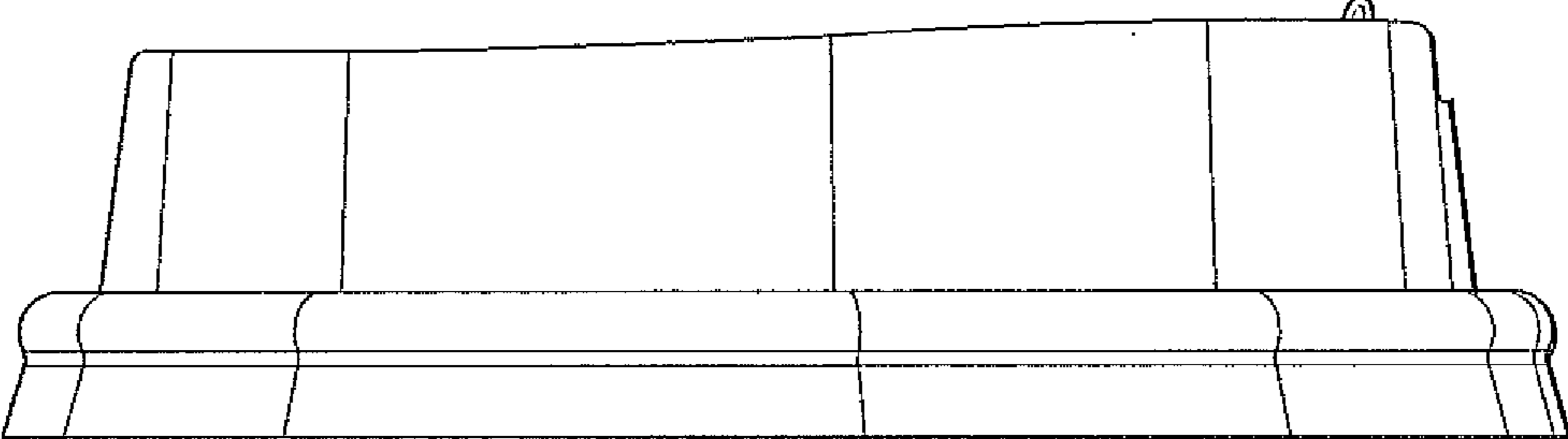


FIG. 4

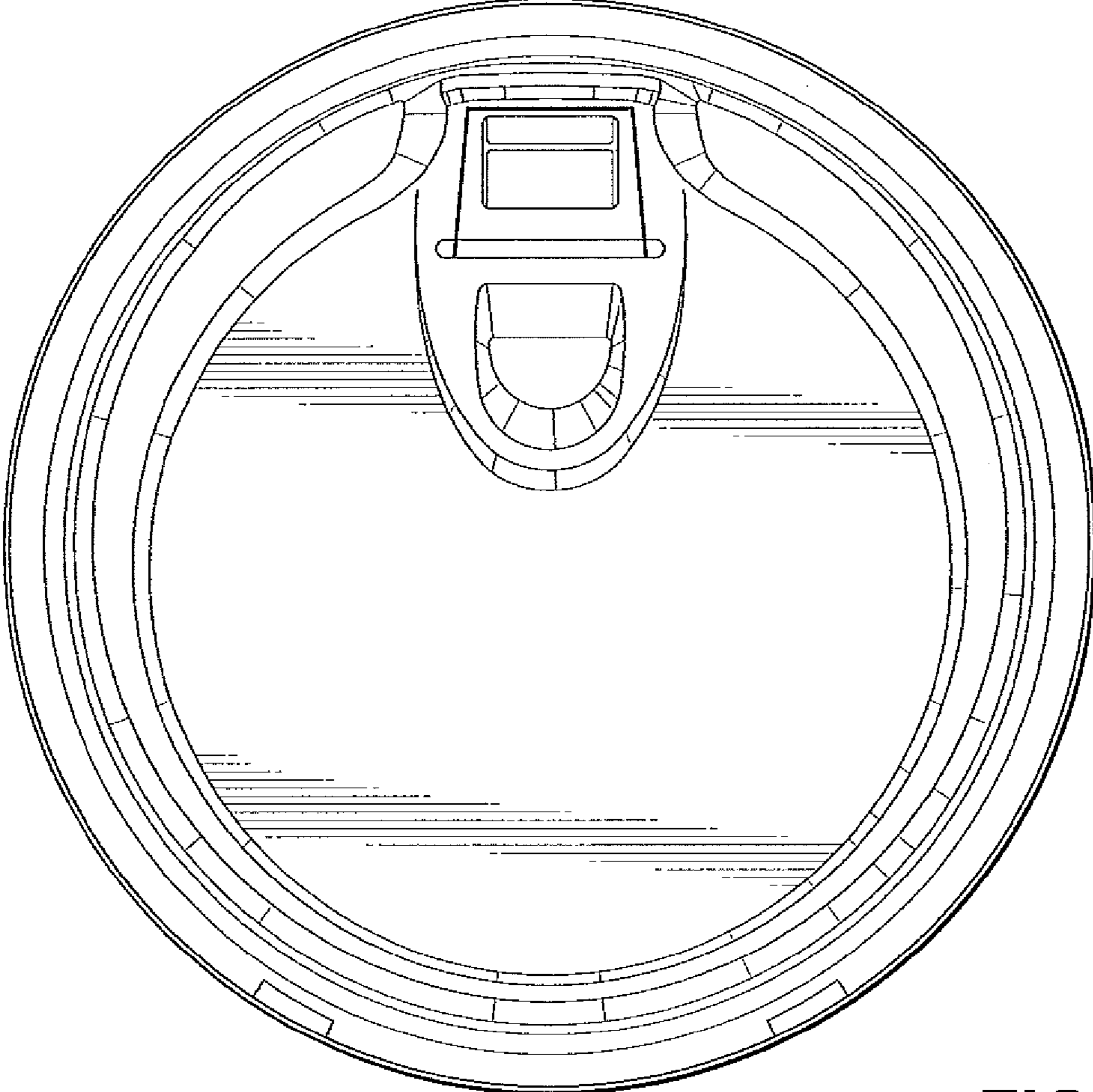


FIG. 5

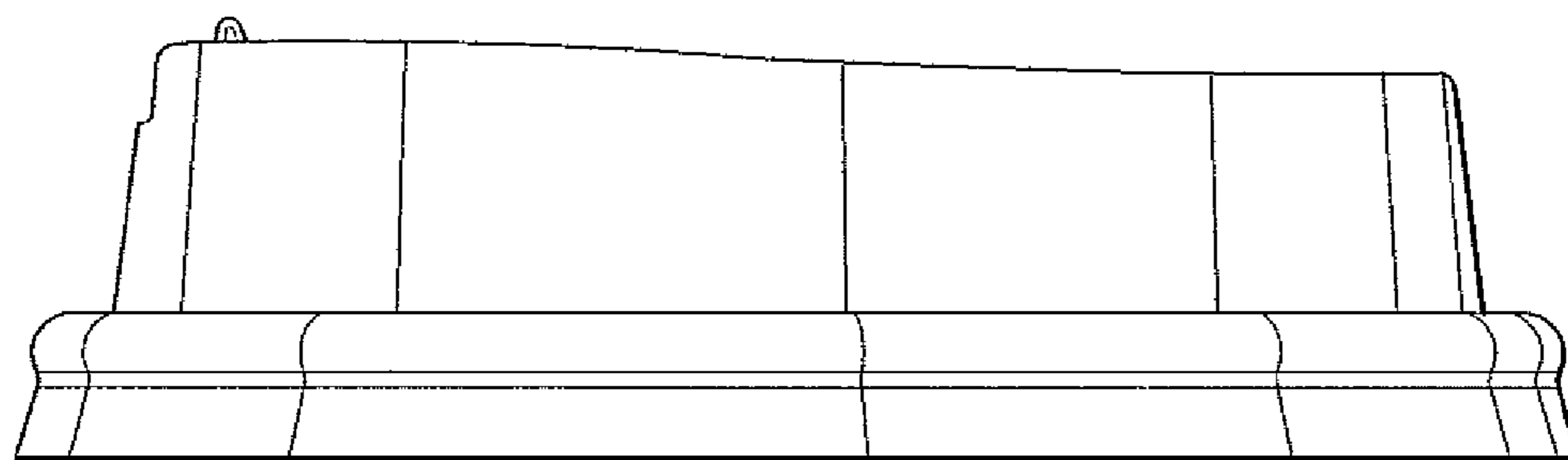


FIG. 6

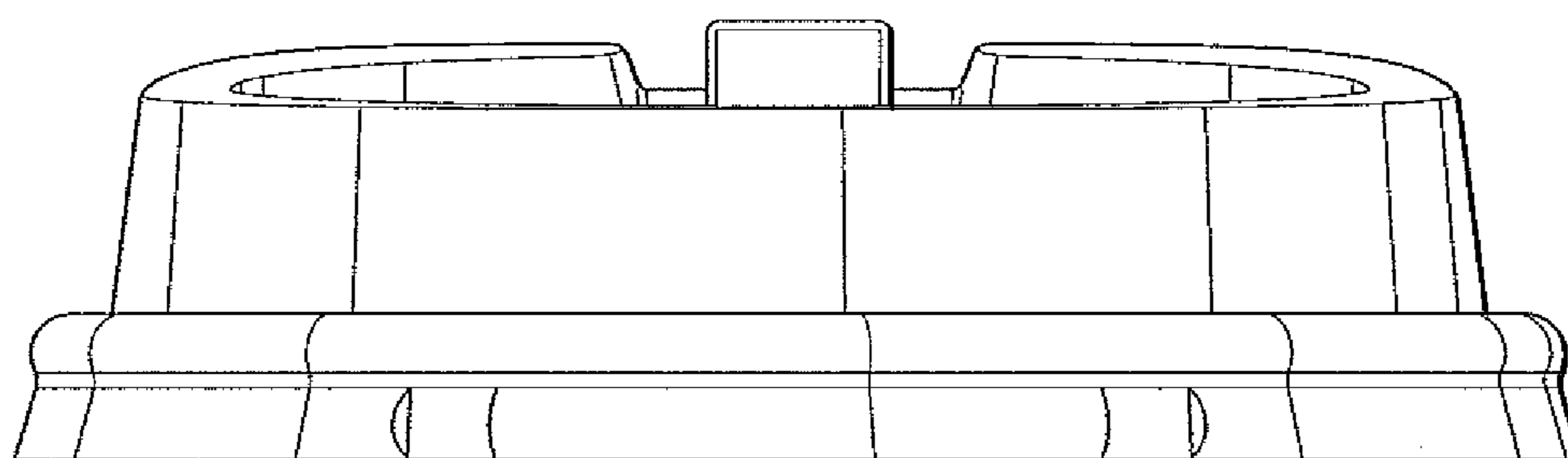


FIG. 7