



US00D624406S

(12) **United States Design Patent**  
**Cronican et al.**

(10) **Patent No.:** **US D624,406 S**

(45) **Date of Patent:** **\*\* Sep. 28, 2010**

(54) **SCOOP HOLDER FOR A LID**

(75) Inventors: **Sean P. Cronican**, Folsom, CA (US);  
**James Paul Perry**, Gahanna, OH (US);  
**Jeremy John McBroom**, New Albany,  
OH (US); **John Girod Barca**, Dublin,  
OH (US); **David Edward Compeau**,  
Oxford, MI (US); **Greg Finn**, Whitelake,  
MI (US)

(73) Assignee: **Abbott Laboratories**, Abbott Park, IL  
(US)

(\*\*) Term: **14 Years**

(21) Appl. No.: **29/340,104**

(22) Filed: **Jul. 14, 2009**

(51) **LOC (9) Cl.** ..... **09-07**

(52) **U.S. Cl.** ..... **D9/434; D9/455; D9/456**

(58) **Field of Classification Search** ..... D9/456,  
D9/455, 448, 447, 445, 438, 434, 763, 772;  
D7/605, 387, 213; D3/211, 207; D23/226;  
40/307; 239/333, 331; 222/635, 631, 566,  
222/321.9, 321.8, 321.7, 320, 251; 220/915,  
220/269, 268, 258.5

See application file for complete search history.

(56) **References Cited**

**U.S. PATENT DOCUMENTS**

D329,963 S \* 10/1992 Schneider ..... D7/387  
D441,656 S \* 5/2001 McQueen ..... D9/456

D489,262 S \* 5/2004 Belton et al. .... D9/455  
D515,419 S \* 2/2006 Manke ..... D9/447  
D553,988 S 10/2007 Perry et al.  
D555,487 S 11/2007 Perry et al.  
D559,102 S \* 1/2008 Houghton et al. .... D9/434  
D561,474 S \* 2/2008 Nakamura ..... D3/318  
D578,401 S 10/2008 Perry et al.  
D586,217 S 2/2009 Pedmo et al.

\* cited by examiner

*Primary Examiner*—Susan Bennett Hattan

(74) *Attorney, Agent, or Firm*—Mimi C. Goller

(57) **CLAIM**

The ornamental design for a scoop holder for a lid, as shown and described.

**DESCRIPTION**

FIG. 1 is a front perspective view of a scoop holder for a lid with a lid in an open position;

FIG. 2 is a front perspective view of the scoop holder;

FIG. 3 is a top view of the scoop holder;

FIG. 4 is a front view of the scoop holder;

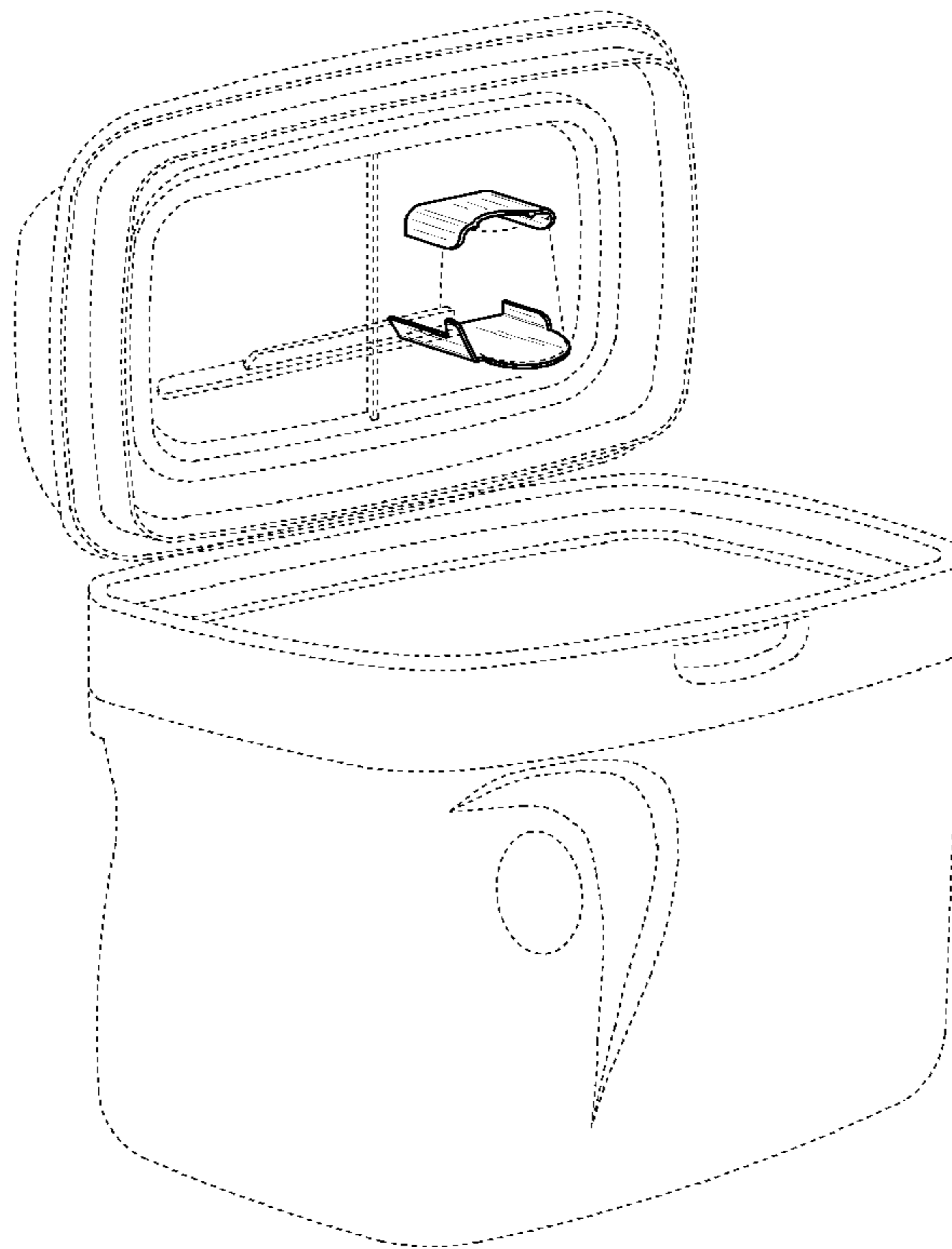
FIG. 5 is a rear view of the scoop holder;

FIG. 6 is a left side view of the scoop holder; and,

FIG. 7 is a right side view of the scoop holder.

The broken lines shown depict environmental subject matter only and form no part of the claimed design.

**1 Claim, 2 Drawing Sheets**



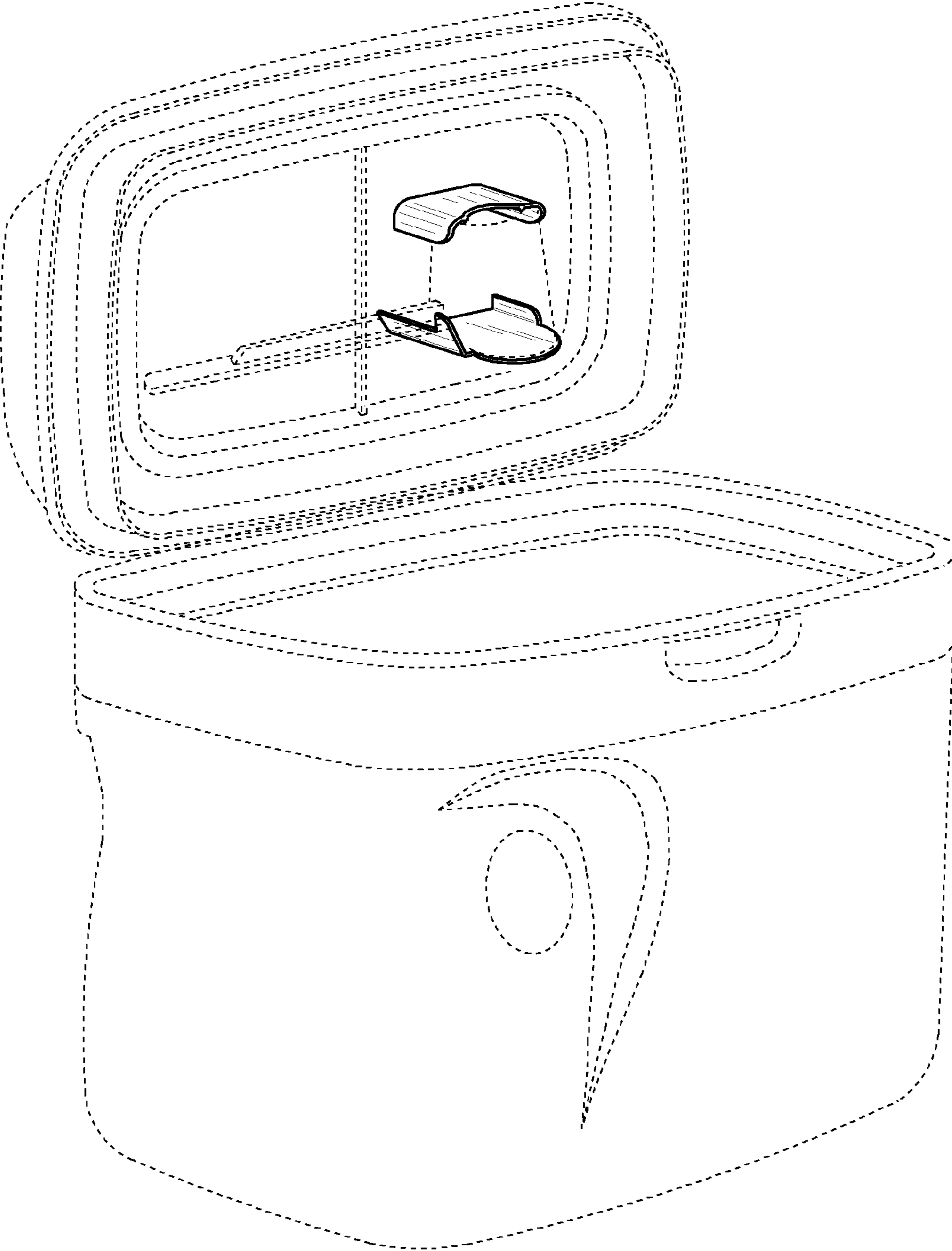


FIG. 1

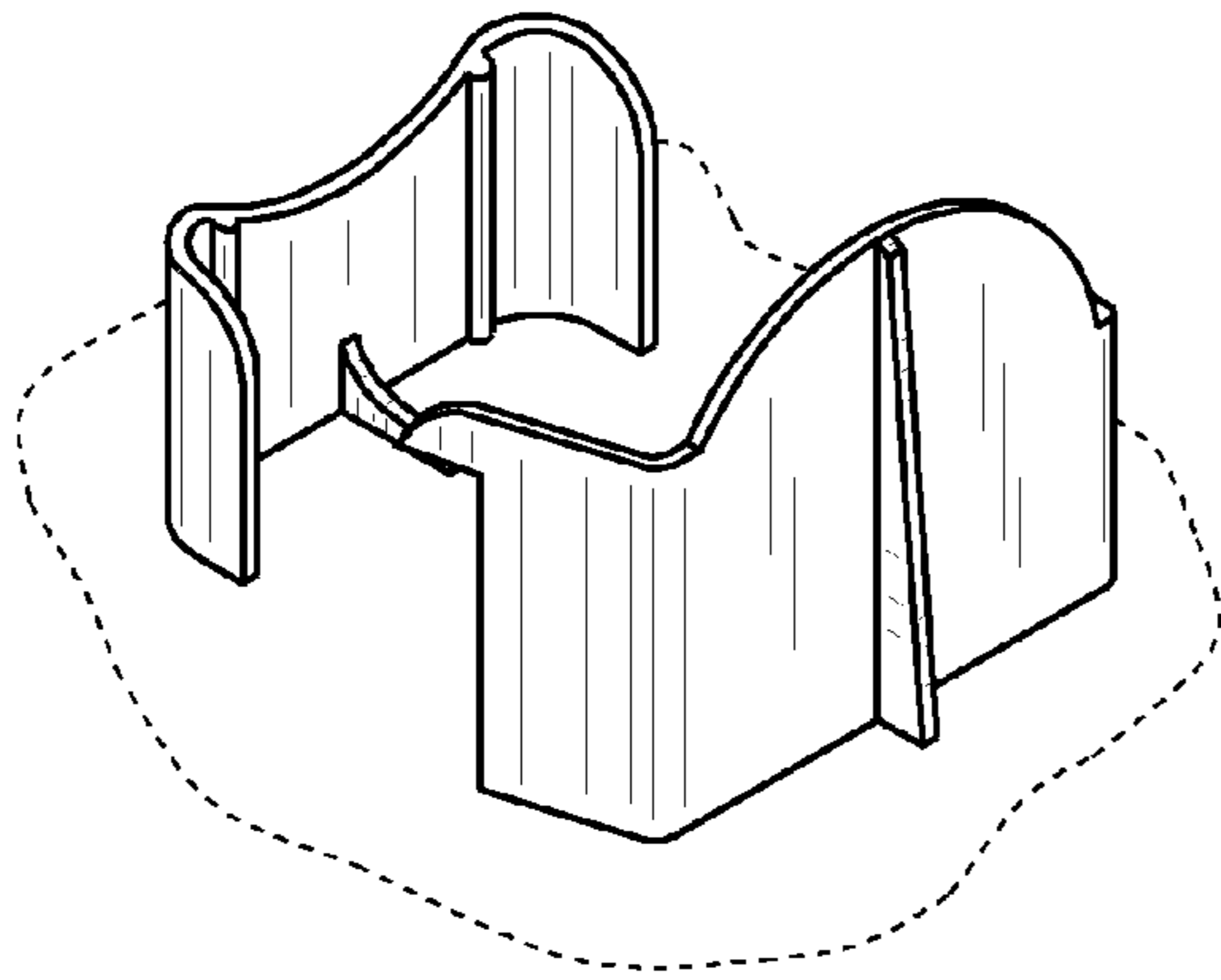


FIG. 2

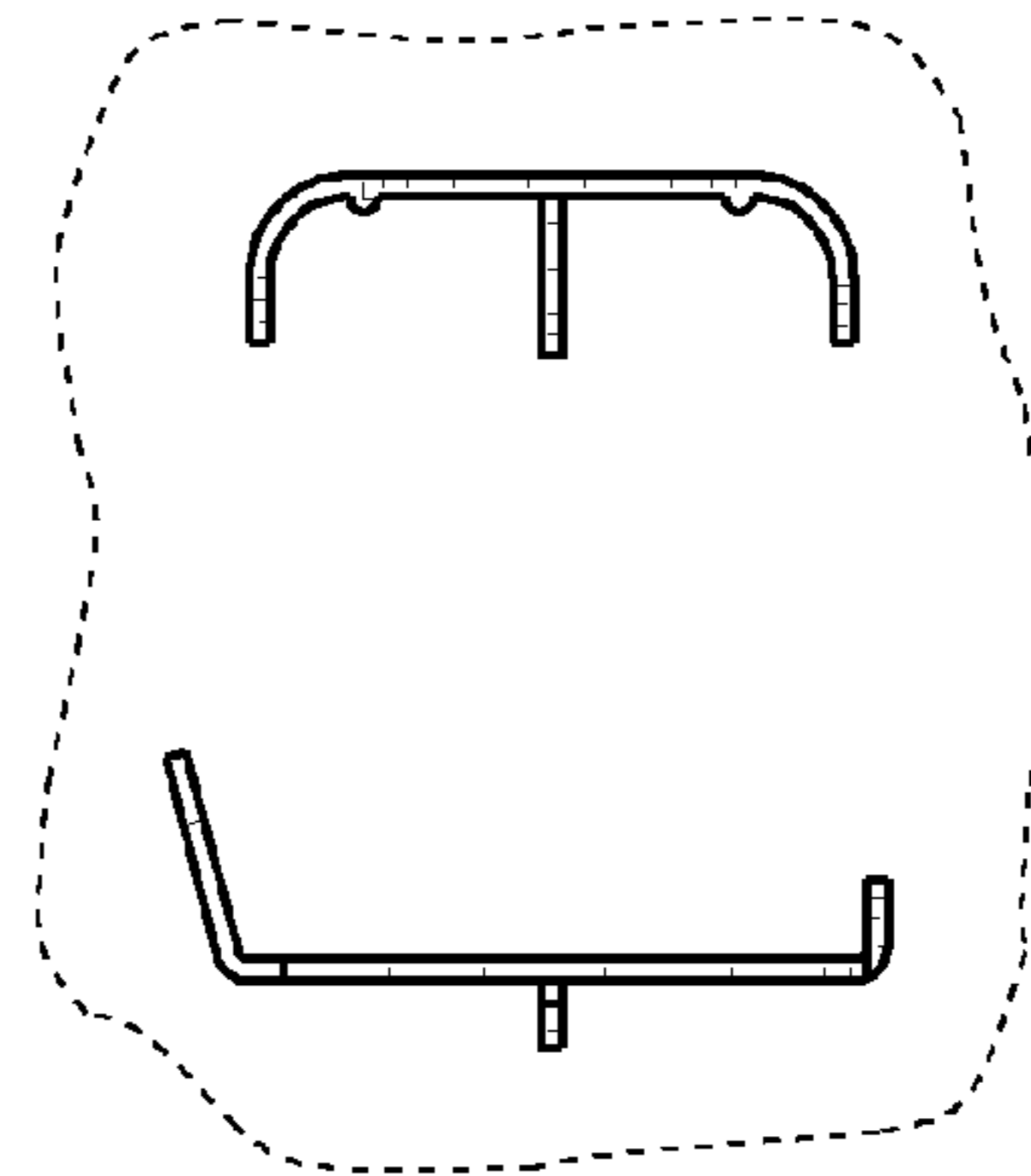


FIG. 3

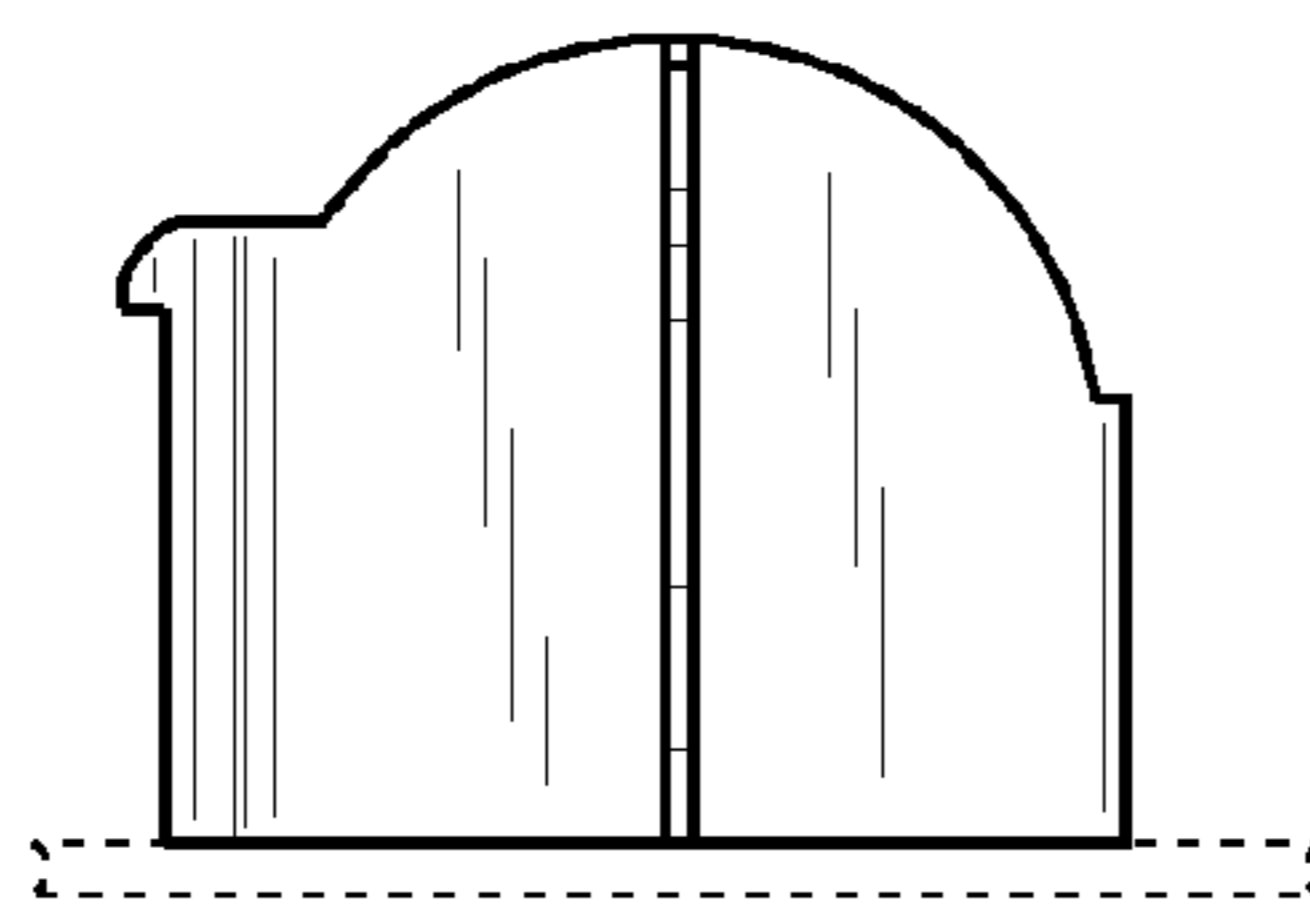


FIG. 4

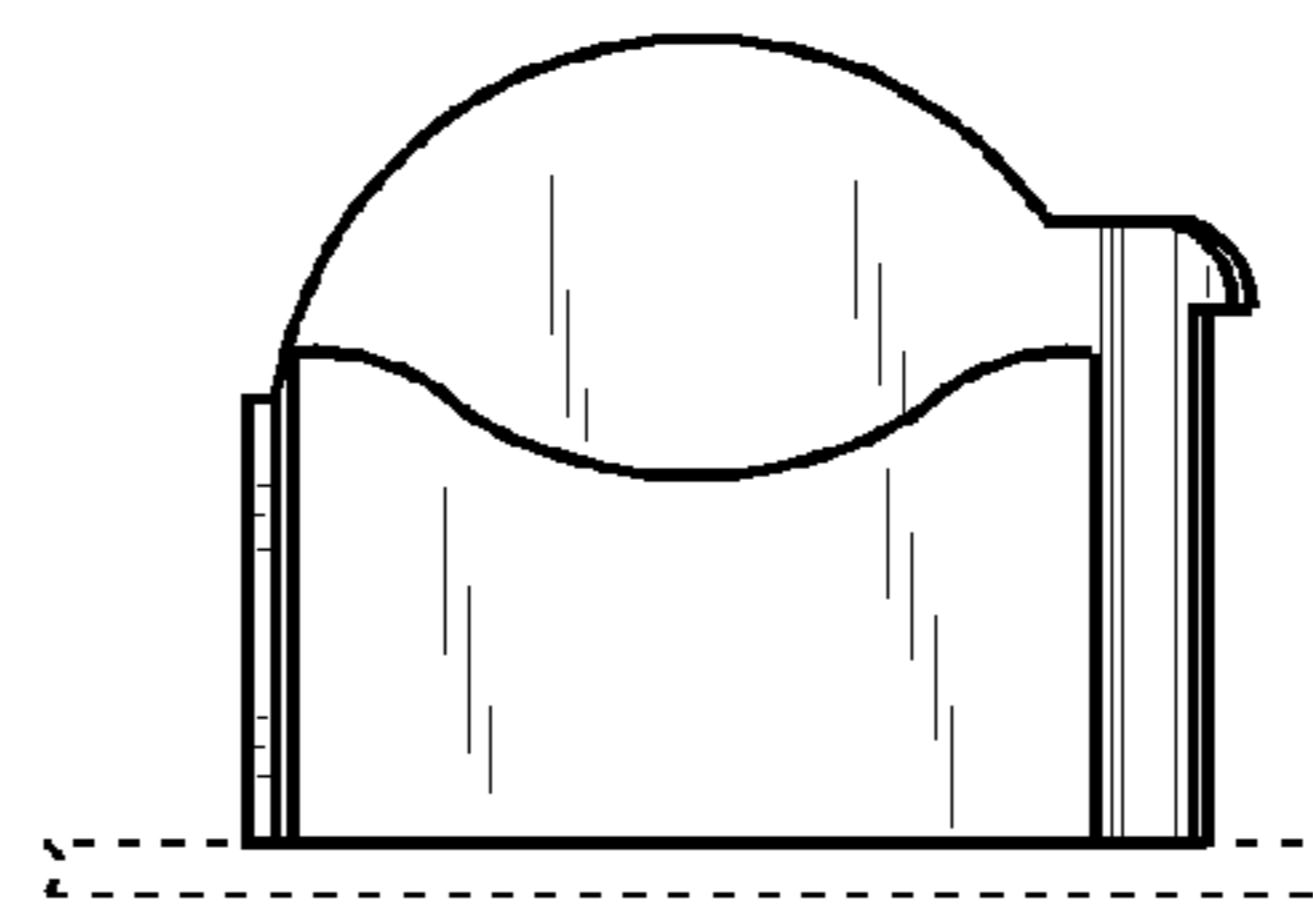


FIG. 5

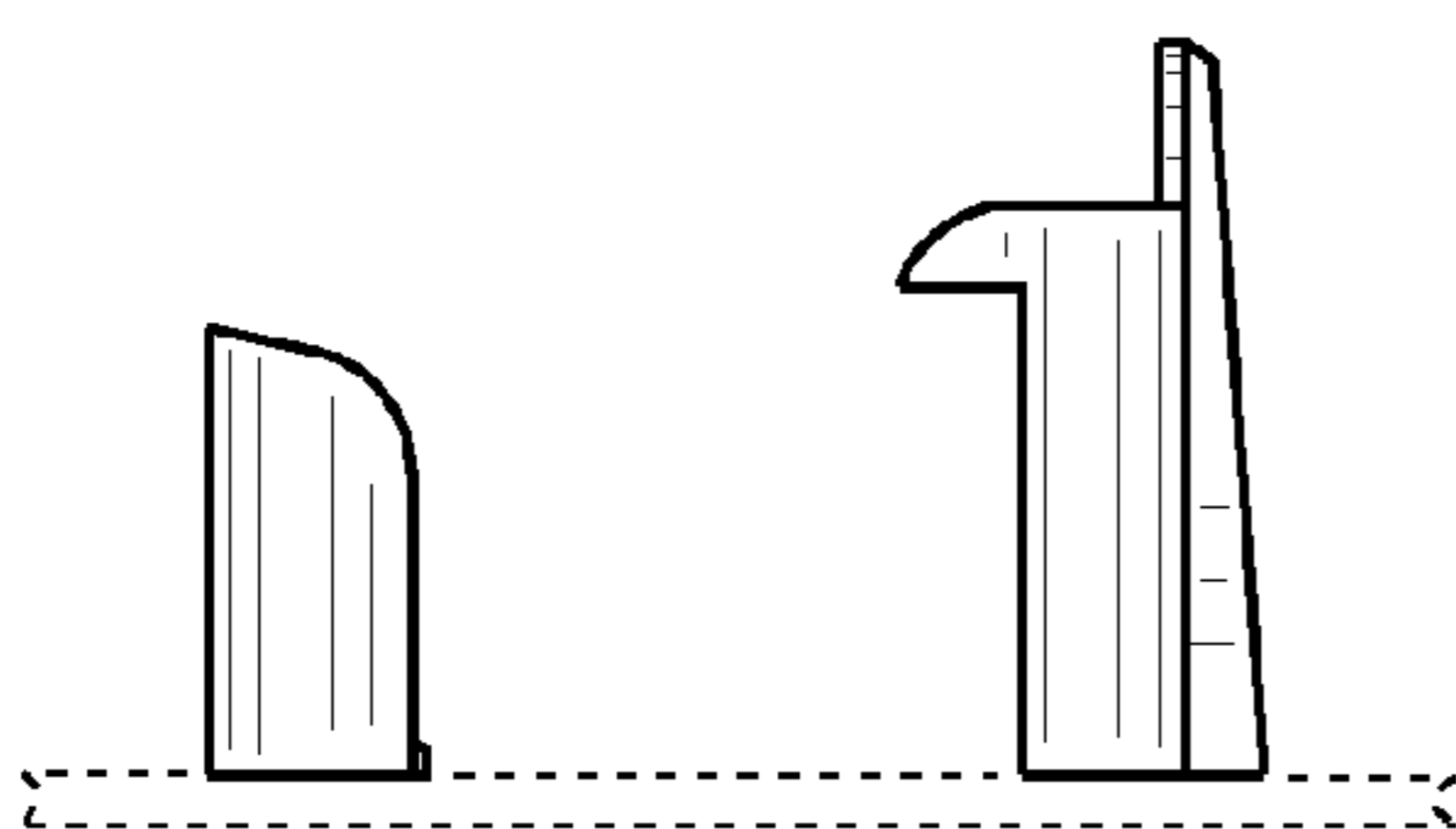


FIG. 6

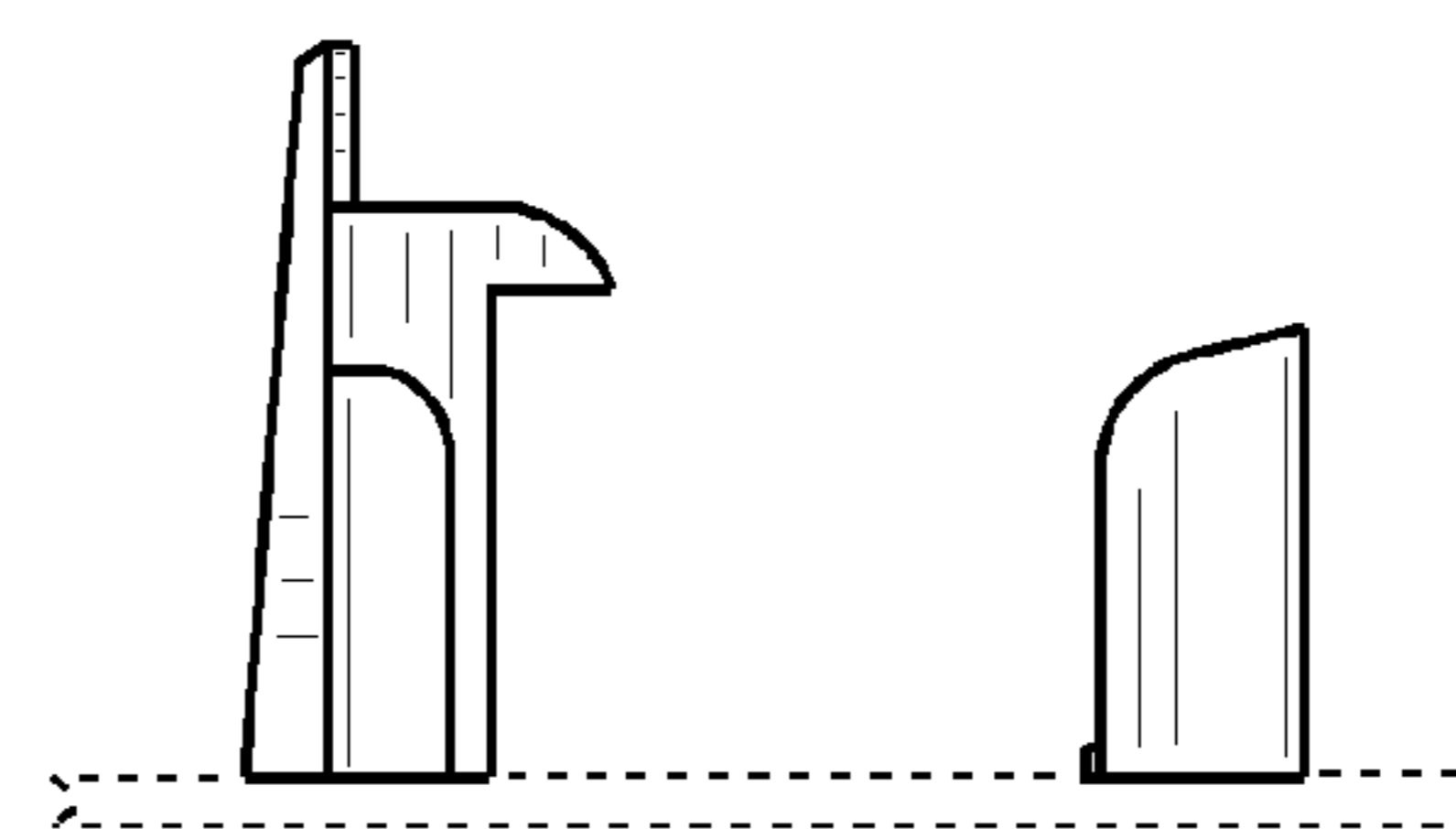


FIG. 7