



US00D624401S

(12) **United States Design Patent**
Friedman et al.

(10) **Patent No.:** **US D624,401 S**

(45) **Date of Patent:** **** Sep. 28, 2010**

(54) **PACKAGE**

(75) Inventors: **Robert M. Friedman**, Easton, PA (US);
Sharon M. Weaver, Chicago, IL (US)

(73) Assignee: **Mars, Incorporated**, McLean, VA (US)

(**) Term: **14 Years**

(21) Appl. No.: **29/329,561**

(22) Filed: **Dec. 17, 2008**

(51) **LOC (9) Cl.** **09-03**

(52) **U.S. Cl.** **D9/423**

(58) **Field of Classification Search** D9/430-433,
D9/414, 418, 420-423; D3/272; 206/278,
206/297, 299, 457, 770, 737, 822; 229/100,
229/101, 101.3, 106, 108, 108.1, 116.1, 116.3,
229/116.5, 121, 122, 201, 213, 221, 222,
229/227, 922, 939, 942, 87.08, 101.2, 193,
229/195, 197

See application file for complete search history.

(56) **References Cited**

U.S. PATENT DOCUMENTS

183,466 A * 10/1876 Pearl 131/366
425,188 A * 4/1890 Riedell 229/122
1,375,001 A * 4/1921 Hasburg 206/1.9
1,837,602 A * 12/1931 Walter 229/155
1,906,742 A * 5/1933 Coulapides 206/256
1,975,804 A * 10/1934 Seifer 206/216
2,027,119 A * 1/1936 Ritter 229/87.15
2,108,343 A * 2/1938 McAllister 229/75
2,197,388 A * 4/1940 Towers 206/260

(Continued)

OTHER PUBLICATIONS

U.S. Appl. No. 29/317,343, filed Apr. 28, 2008, by Robert M. Friedman et al, entitled "Packaging".

Primary Examiner—Robert M Spear

Assistant Examiner—Karen Acker

(74) *Attorney, Agent, or Firm*—Arent Fox LLP

(57) **CLAIM**

The ornamental design for a package, as shown and described.

DESCRIPTION

FIG. 1 is a perspective view of a package in the open position showing our new design;

FIG. 2 is front view of the design shown in FIG. 1;

FIG. 3 is a rear view of the design shown in FIG. 1;

FIG. 4 is a left side view of the design shown in FIG. 1;

FIG. 5 is a right side view of the design shown in FIG. 1;

FIG. 6 is a top view of the design shown in FIG. 1, the bottom view being a mirror image thereof;

FIG. 7 is a front view of the design of FIG. 1 in the closed position;

FIG. 8 is a front view of a second embodiment of the design of FIG. 1 in the closed position and sealed with dot tape.

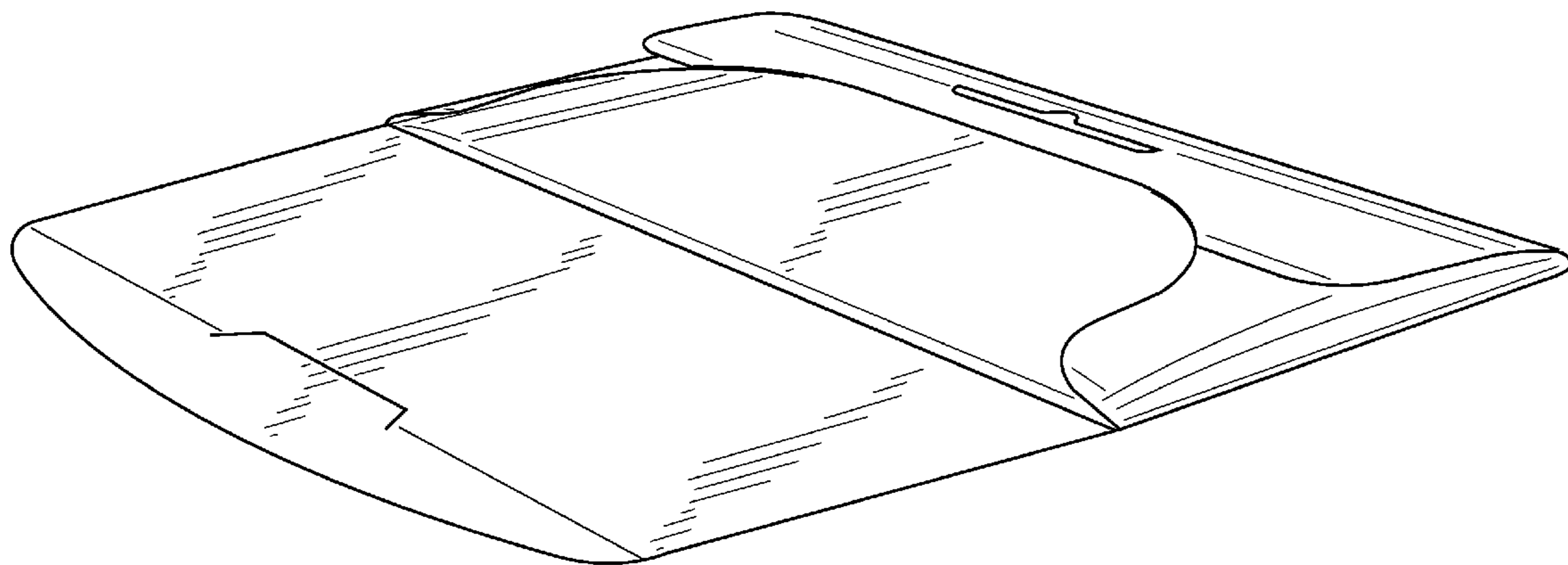
FIG. 9 is a perspective view of the design shown in FIG. 1 in a condition of use;

FIG. 10 is a front view of the design shown in FIG. 9, the rear view being identical to that of FIG. 3; and,

FIG. 11 is a left side view of the design shown in FIG. 9, the right side view being identical to that of FIG. 5.

The broken lines in FIGS. 9 through 11 represent unclaimed environmental subject matter included in order to show the package in a position of use.

1 Claim, 8 Drawing Sheets



US D624,401 S

Page 2

U.S. PATENT DOCUMENTS

2,754,867	A *	7/1956	Langer	206/278	D495,254	S *	8/2004	Carlos	D9/433
3,295,741	A	1/1967	Meyers			D503,087	S	3/2005	Dzwill et al.		
3,399,823	A	9/1968	Johnson			D508,772	S	8/2005	Gilson et al.		
4,240,577	A	12/1980	Harrigan			D512,304	S *	12/2005	Aldridge	D9/422
5,123,589	A	6/1992	Cote			7,159,717	B2	1/2007	Aldridge et al.		
D387,976	S	12/1997	Mori			D555,511	S *	11/2007	Warmka et al.	D9/722
5,924,625	A *	7/1999	Klein et al.	229/103.3	7,325,686	B2	2/2008	Aldridge		
D434,319	S	11/2000	Mori			D576,403	S *	9/2008	Leslie et al.	D3/201
D445,332	S *	7/2001	Breiding et al.	D9/416	D585,736	S *	2/2009	Dowd	D9/431
D454,303	S *	3/2002	Sipinen	D9/422	7,533,773	B2 *	5/2009	Aldridge et al.	206/738
6,398,020	B1 *	6/2002	Smith	206/232	7,569,008	B2 *	8/2009	Aldridge et al.	206/449
D479,464	S	9/2003	Kopecky			2005/0116016	A1 *	6/2005	Lo Duca	229/121
D484,046	S	12/2003	Kopecky			2005/0269233	A1	12/2005	Aldridge		
D489,255	S *	5/2004	Kratzert et al.	D9/433	2006/0142720	A1 *	6/2006	Zander et al.	604/385.02

* cited by examiner

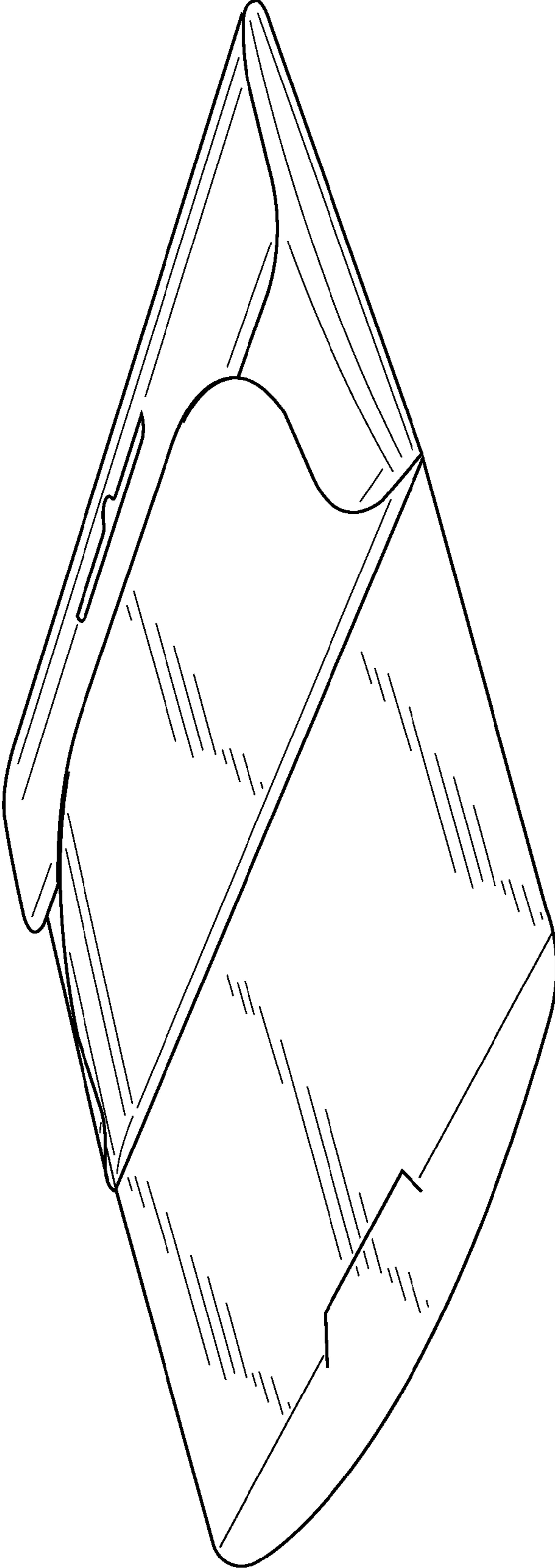


FIG.1

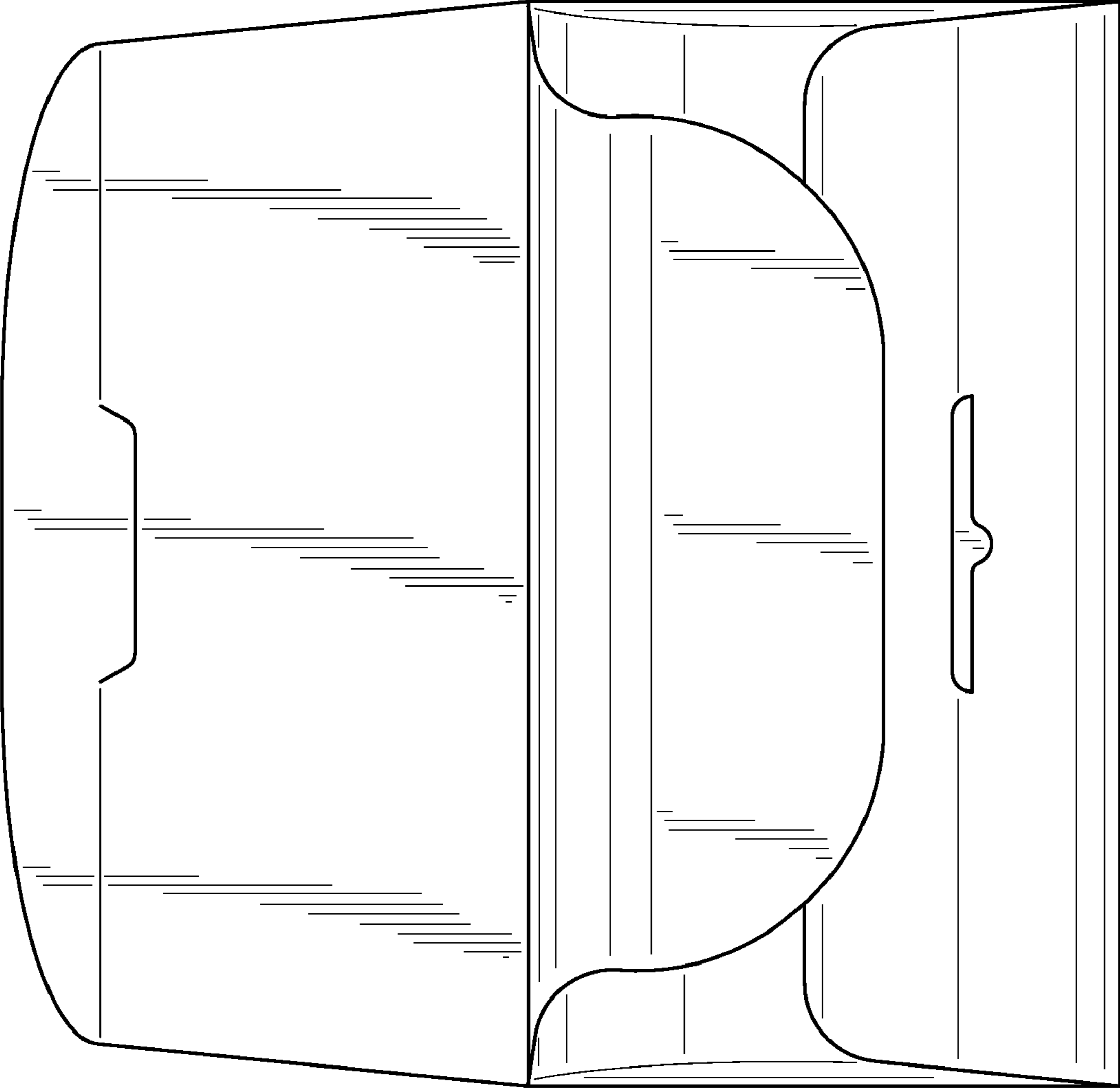


FIG.2

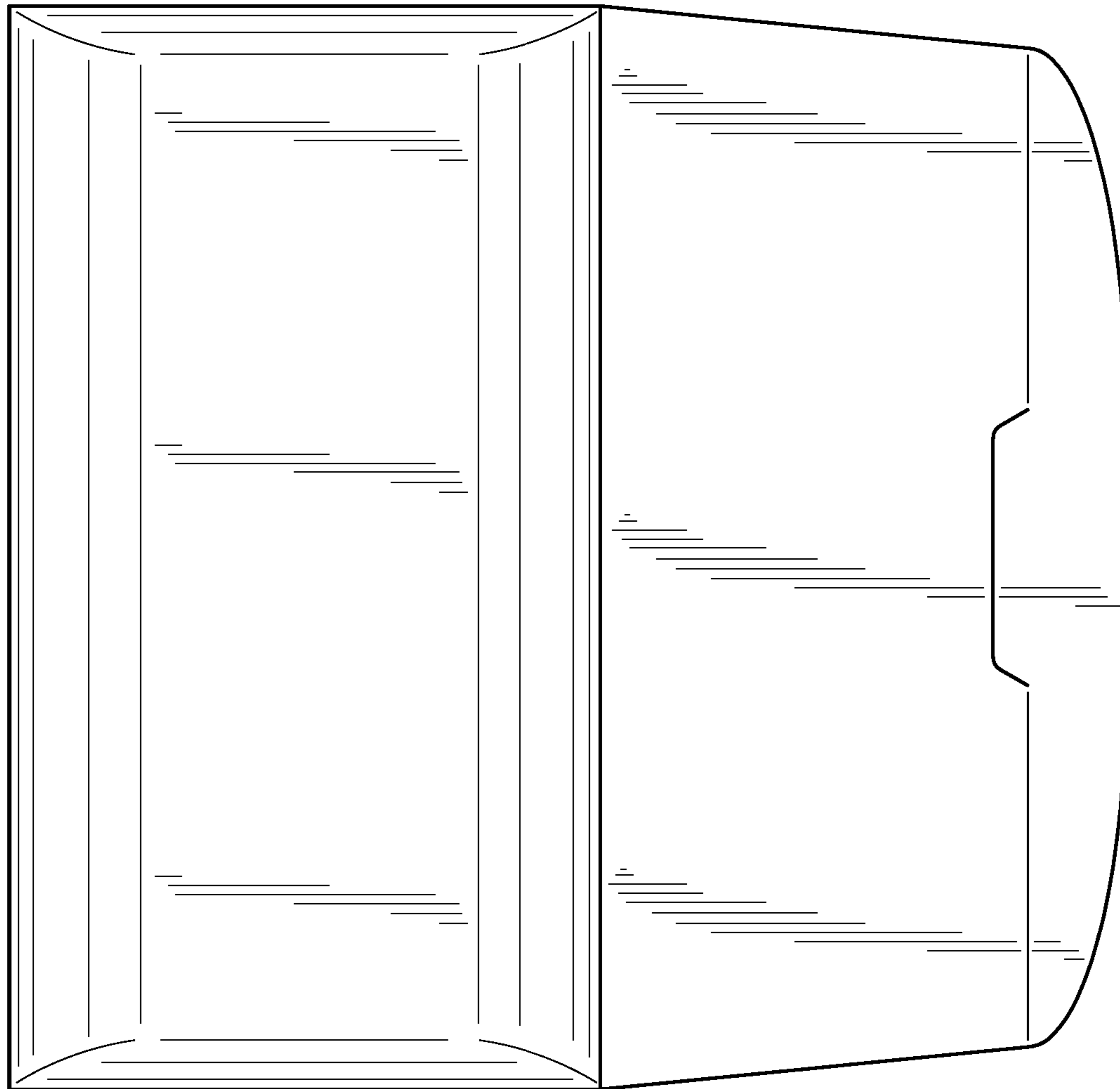


FIG.3

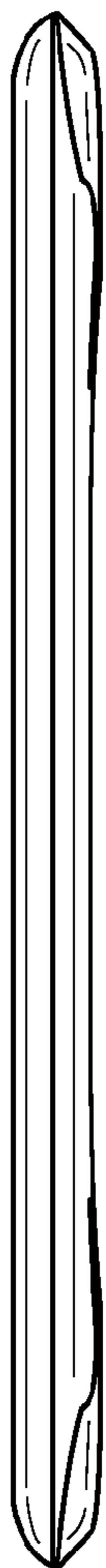


FIG.4

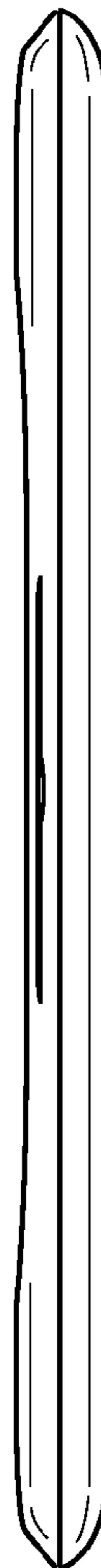


FIG.5



FIG.6

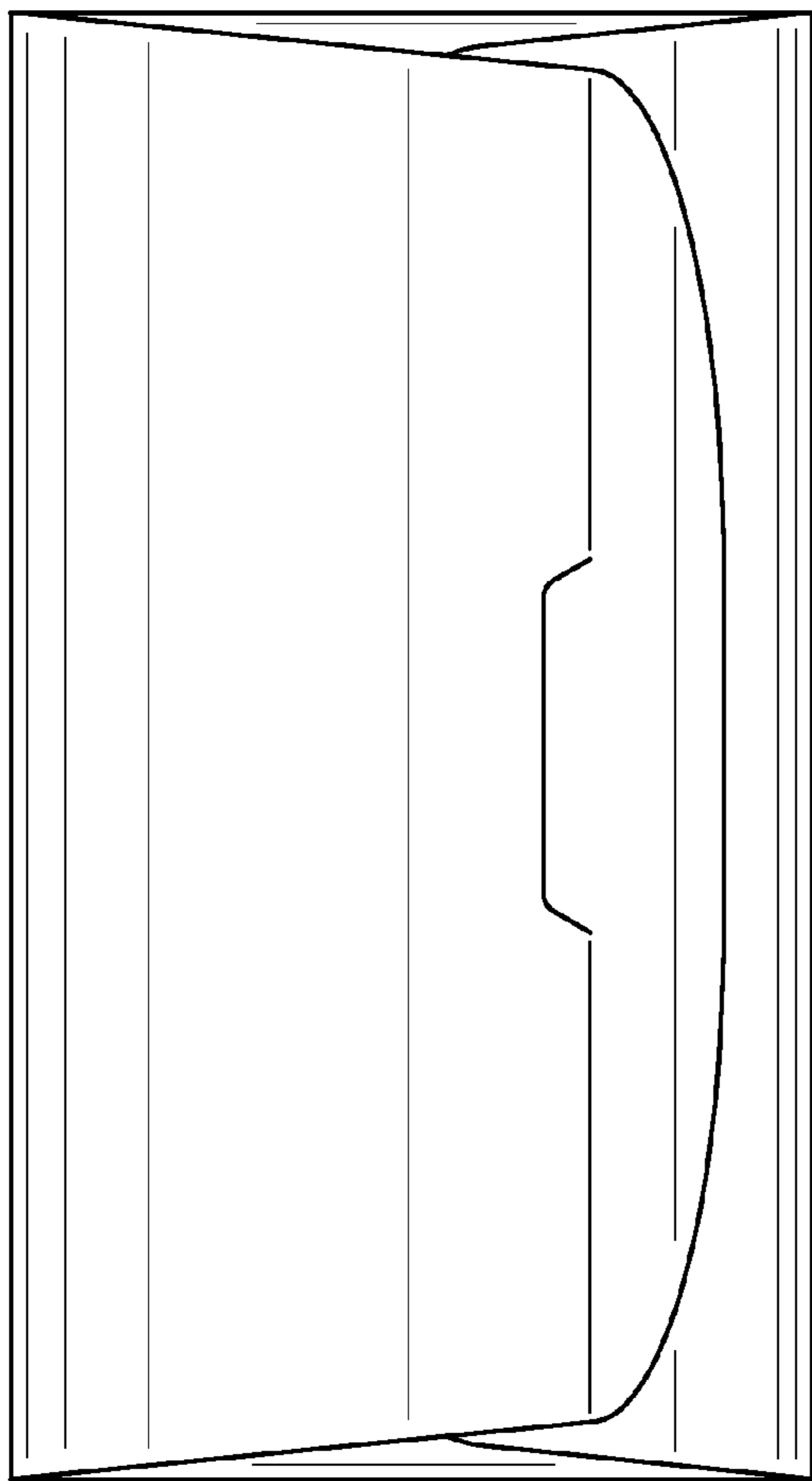


FIG. 7

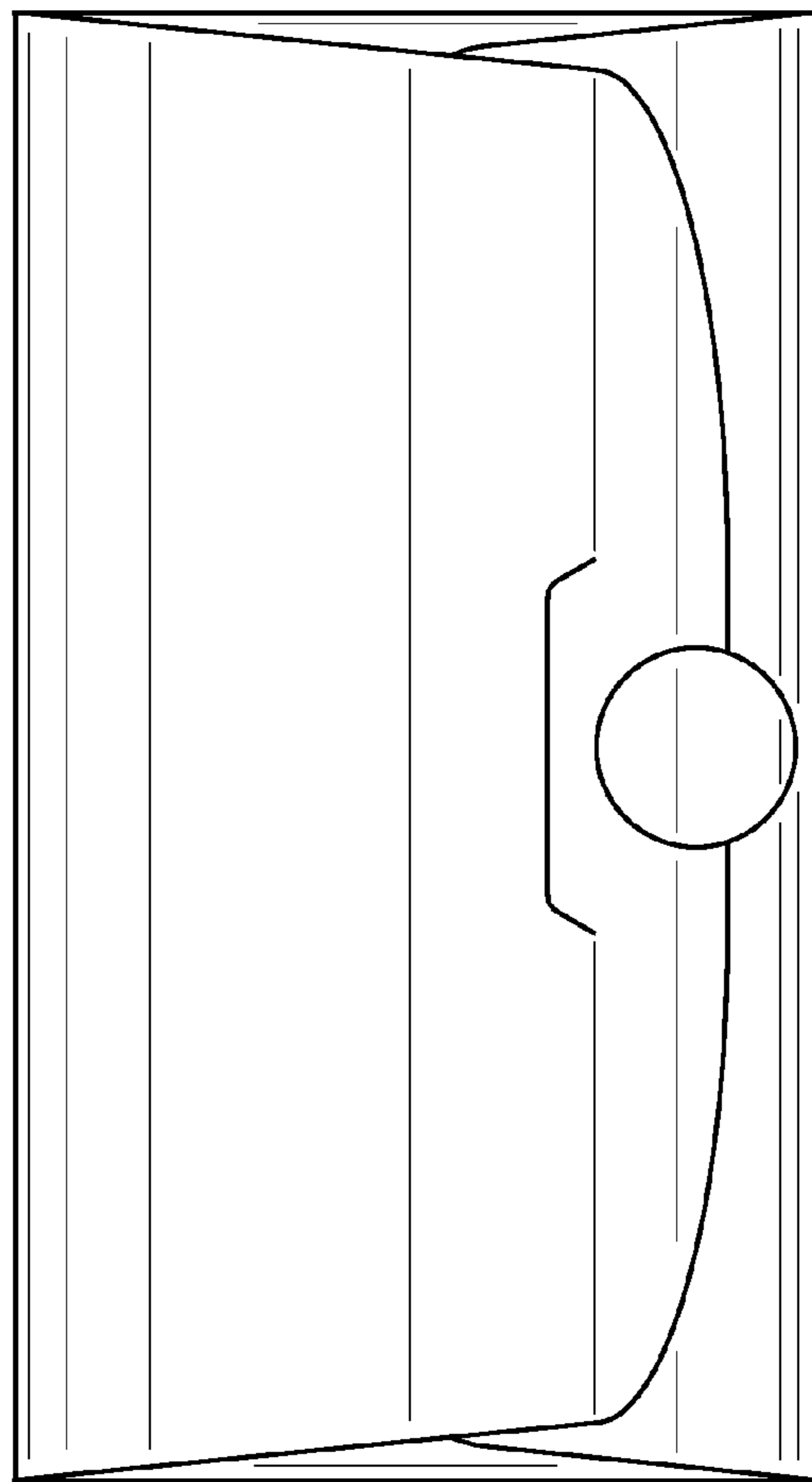


FIG. 8

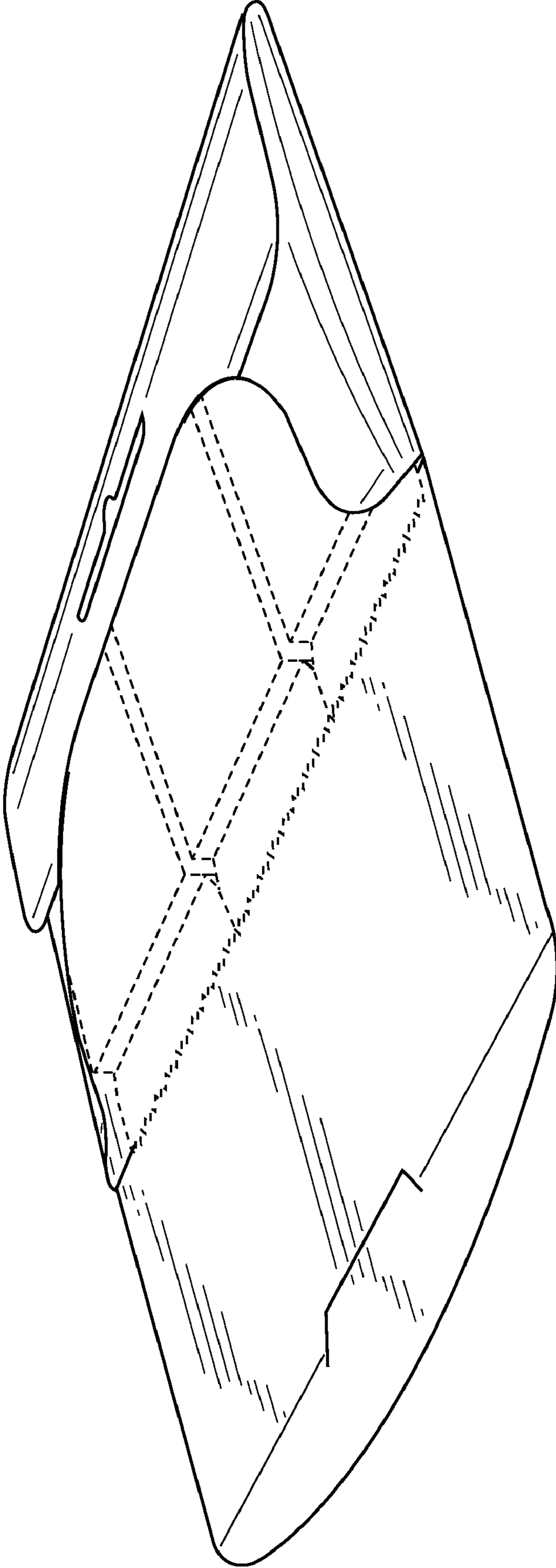


FIG.9

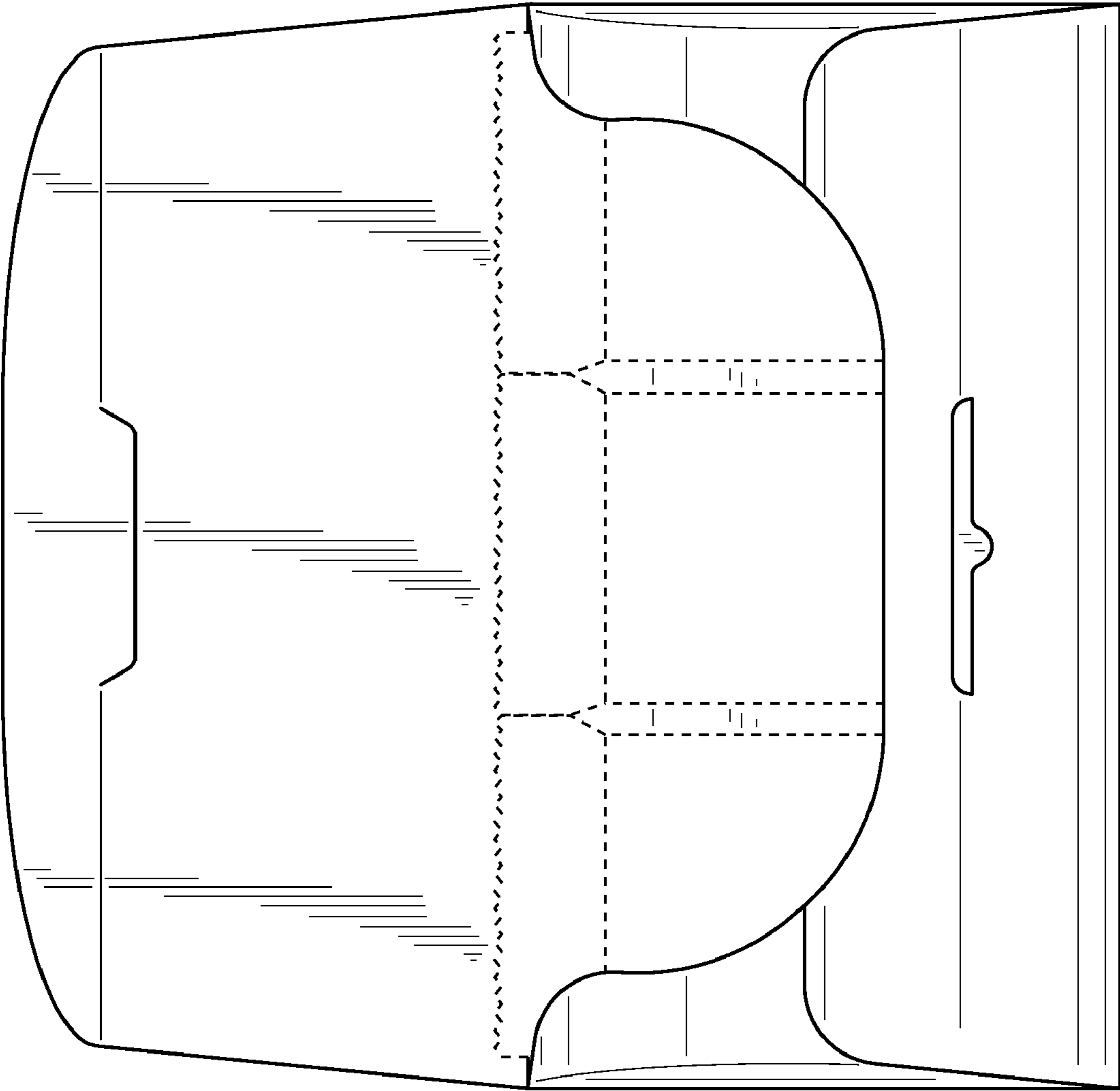


FIG.10

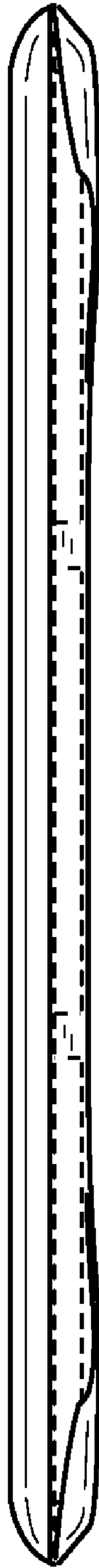


FIG.11