



US00D624400S

(12) **United States Design Patent**
Wichowski

(10) **Patent No.:** **US D624,400 S**

(45) **Date of Patent:** **** Sep. 28, 2010**

(54) **COMPARTMENTED CONTAINER**

D596,046 S * 7/2009 van Deursen D9/735
D610,001 S * 2/2010 McAlpine D9/432

(75) Inventor: **Artur Wichowski**, Gerlafinger/So (CH)

* cited by examiner

(73) Assignee: **Hoffman Neopac AG**, Bern (CH)

Primary Examiner—Daniel D Bui

(**) Term: **14 Years**

Assistant Examiner—Thomas J Johannes

(21) Appl. No.: **29/356,324**

(74) *Attorney, Agent, or Firm*—Gifford, Krass, Sprinkle,
Anderson & Citkowski, P.C.

(22) Filed: **Feb. 24, 2010**

(57) **CLAIM**

(30) **Foreign Application Priority Data**

I claim the ornamental design for a compartmented container,
as shown and described.

Nov. 27, 2009 (WO) 523232401

DESCRIPTION

(51) **LOC (9) Cl.** **09-03**

(52) **U.S. Cl.** **D9/420**

(58) **Field of Classification Search** 222/173,
222/180; 221/26, 33, 45, 63, 282–284; 206/225,
206/233, 389, 391, 409, 494, 812, 824; 211/13.1,
211/45; 224/925; 242/570, 590; 248/309.1,
248/309.2, 905; D12/17, 19; D3/273, 294,
D3/318; D9/420–423, 549, 734; D6/512,
D6/515–523

FIG. 1 is a rear side view of a compartmented container,
showing my new design, in a fully closed position;

FIG. 2 is a front side view thereof;

FIG. 3 is a front top perspective view thereof;

FIG. 4 is a rear top perspective thereof;

FIG. 5 is a front top perspective view thereof, in an open lid
position;

FIG. 6 is a front top perspective thereof in an open lid position
and with a detached insert compartment;

FIG. 7 is a second front top perspective view thereof;

FIG. 8 is a first side view thereof in a fully closed position;

FIG. 9 is a second side view thereof; and,

FIG. 10 is a top view thereof with bottom view being identical
thereto.

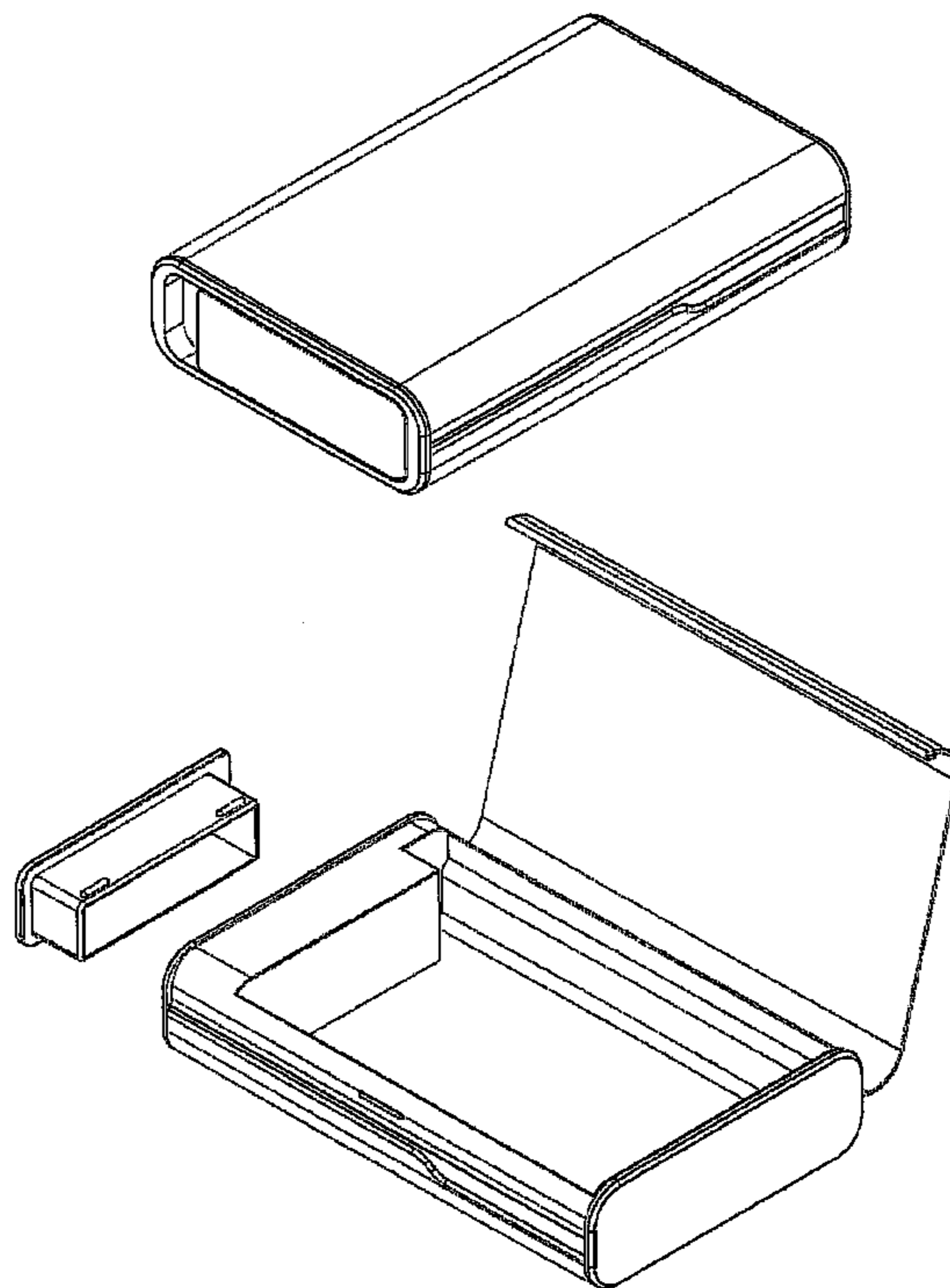
See application file for complete search history.

(56) **References Cited**

U.S. PATENT DOCUMENTS

D415,418 S * 10/1999 You et al. D9/422
D452,148 S * 12/2001 Friedberg D9/423
D459,886 S * 7/2002 Jones D3/294
D465,729 S * 11/2002 Nishimura D9/422
D473,461 S * 4/2003 Joubert D9/423
D547,175 S * 7/2007 Berg D9/423

1 Claim, 6 Drawing Sheets



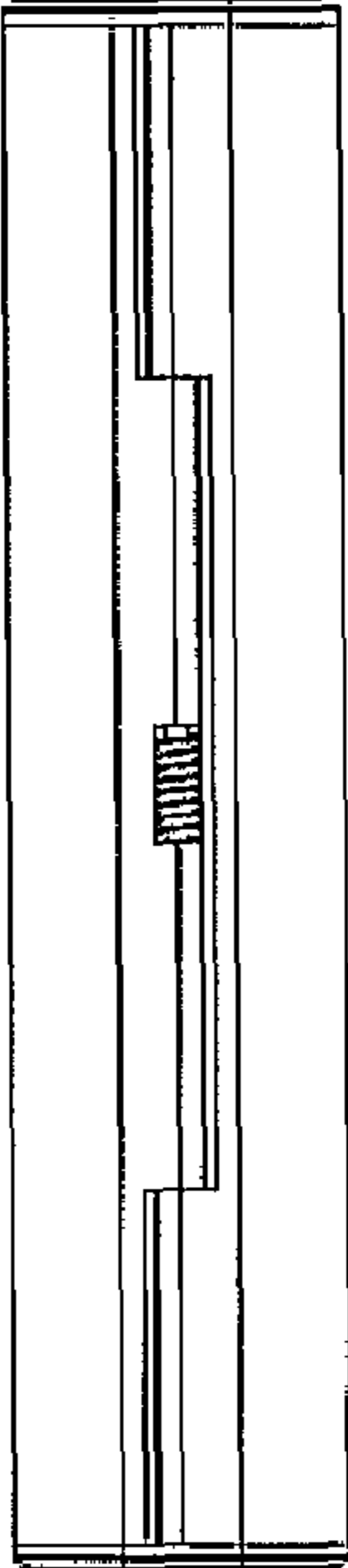


FIG. 1

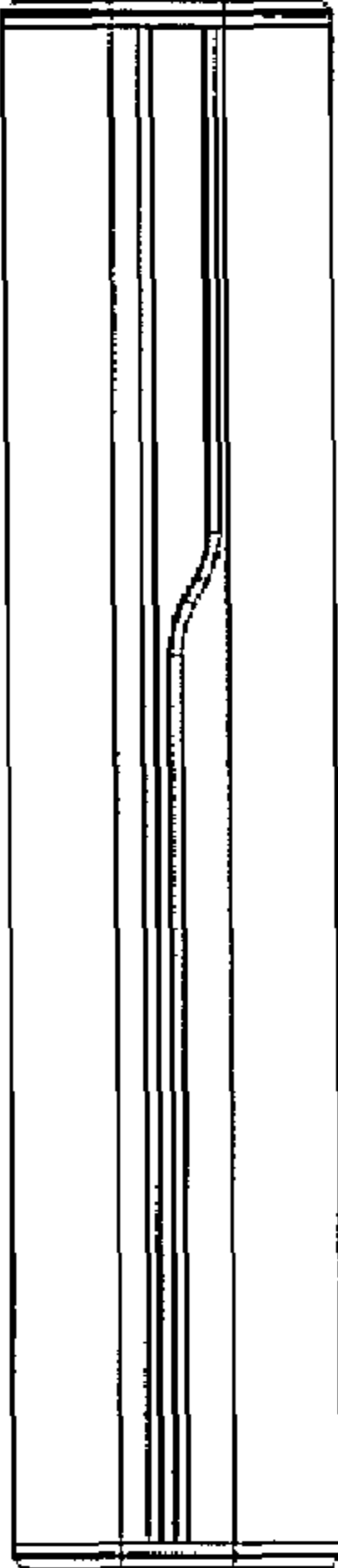


FIG. 2

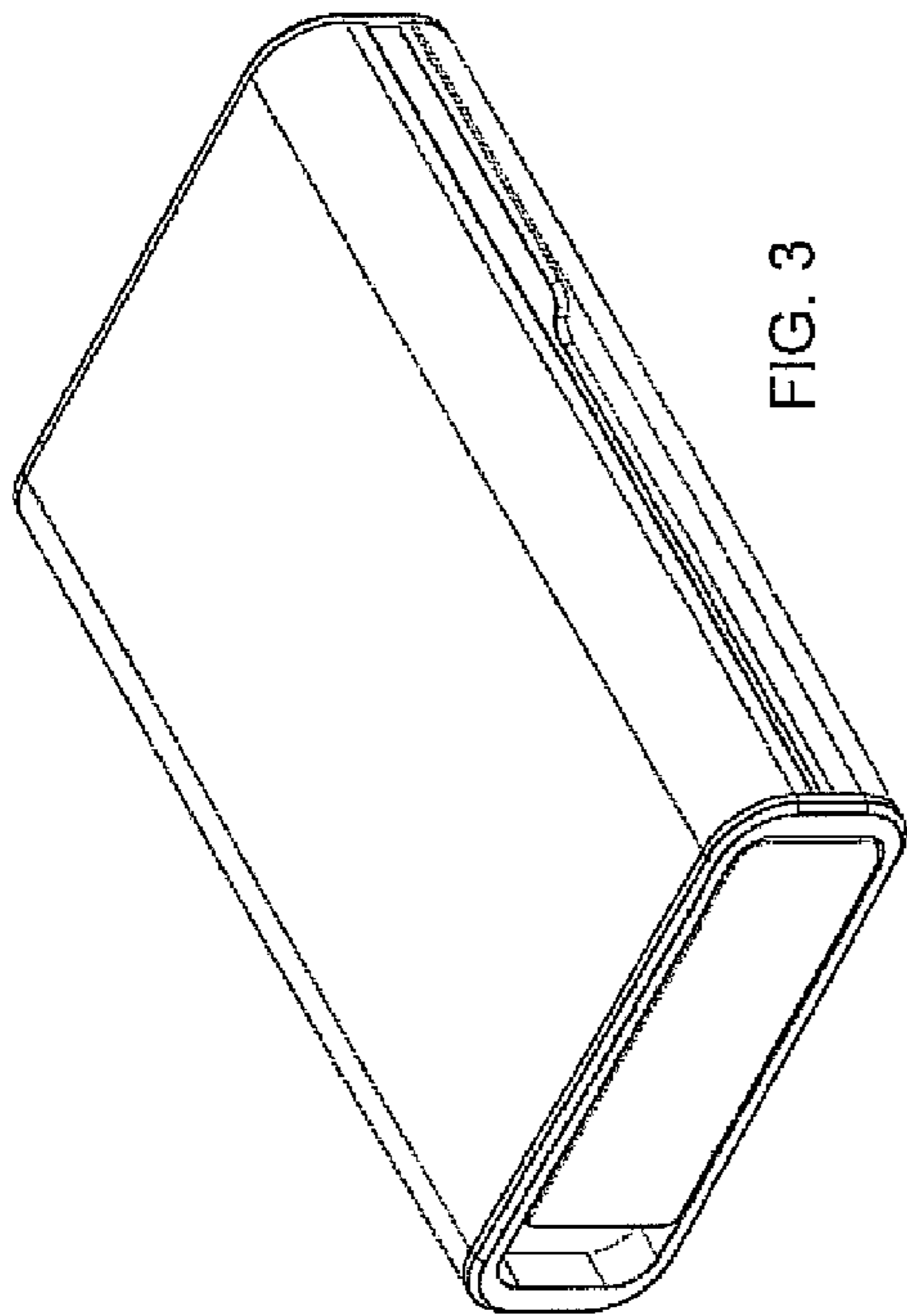


FIG. 3

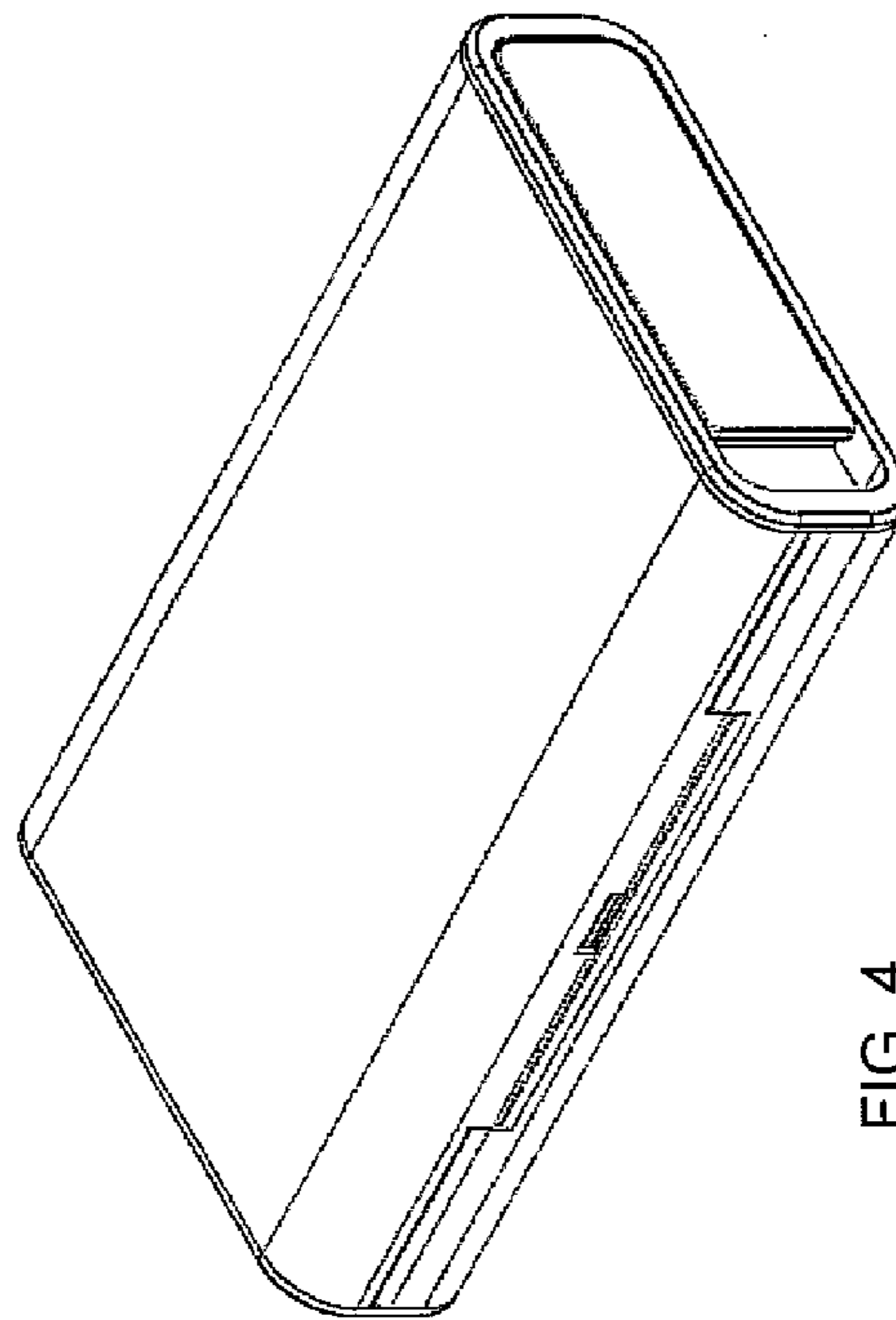


FIG. 4

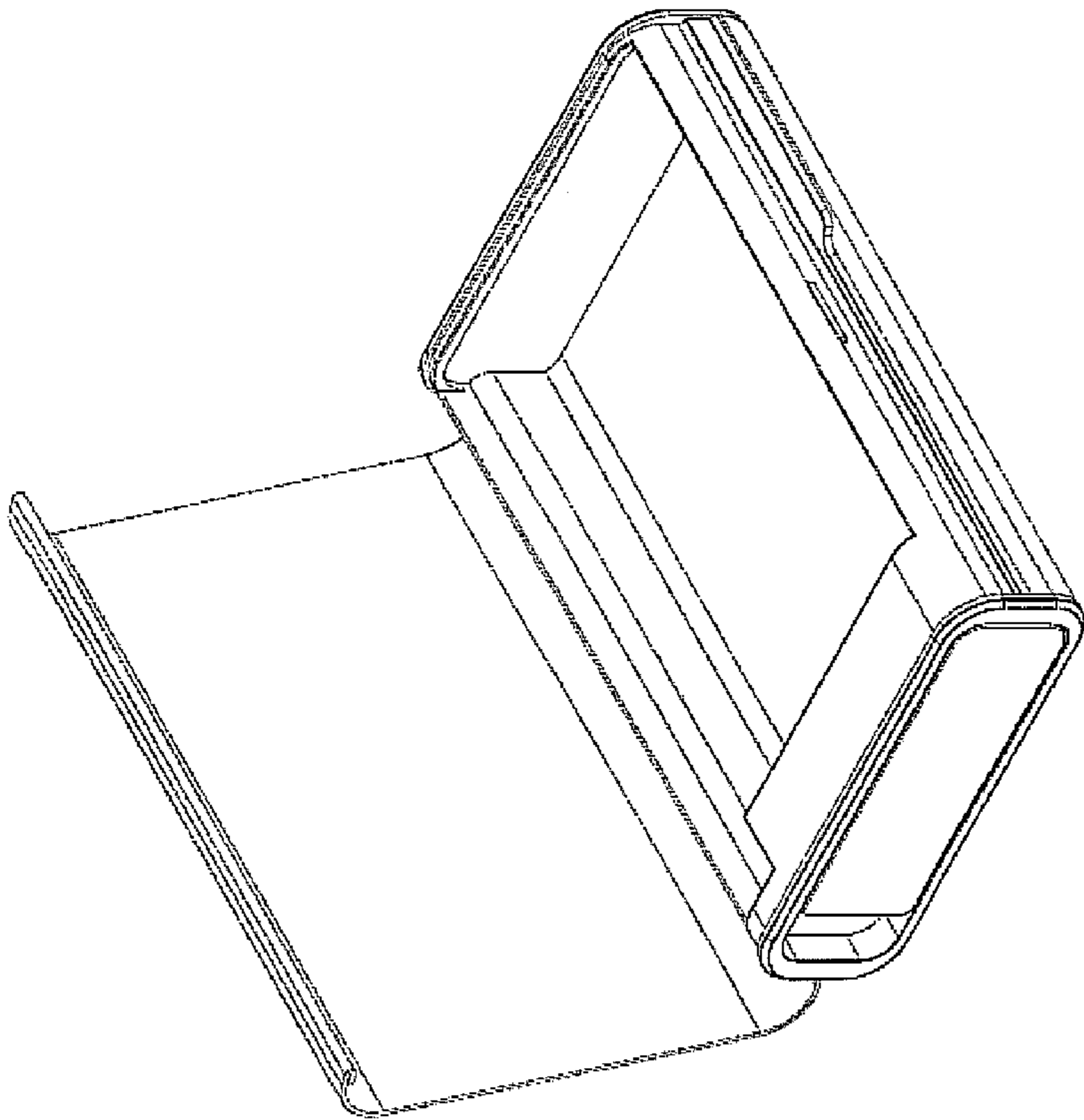


FIG. 5

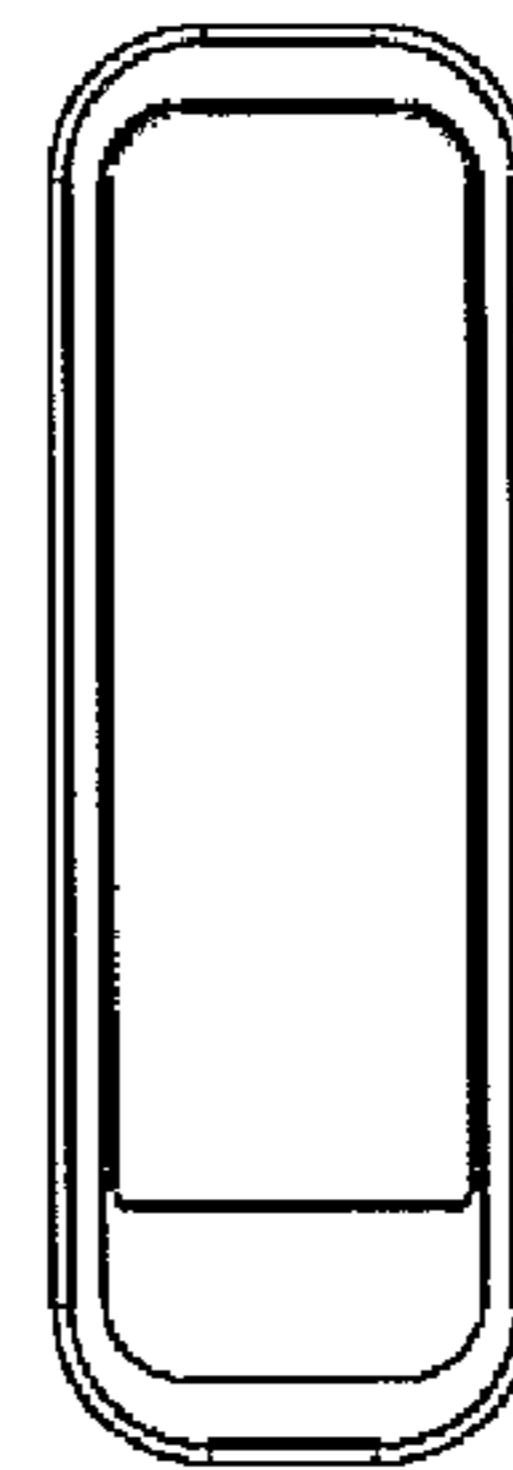
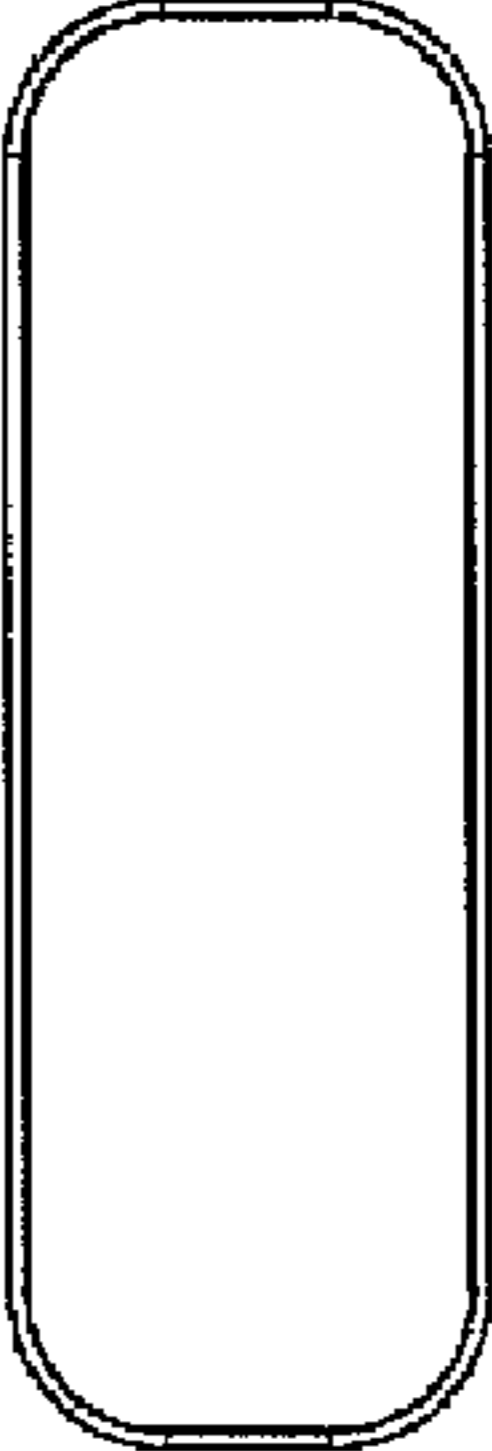
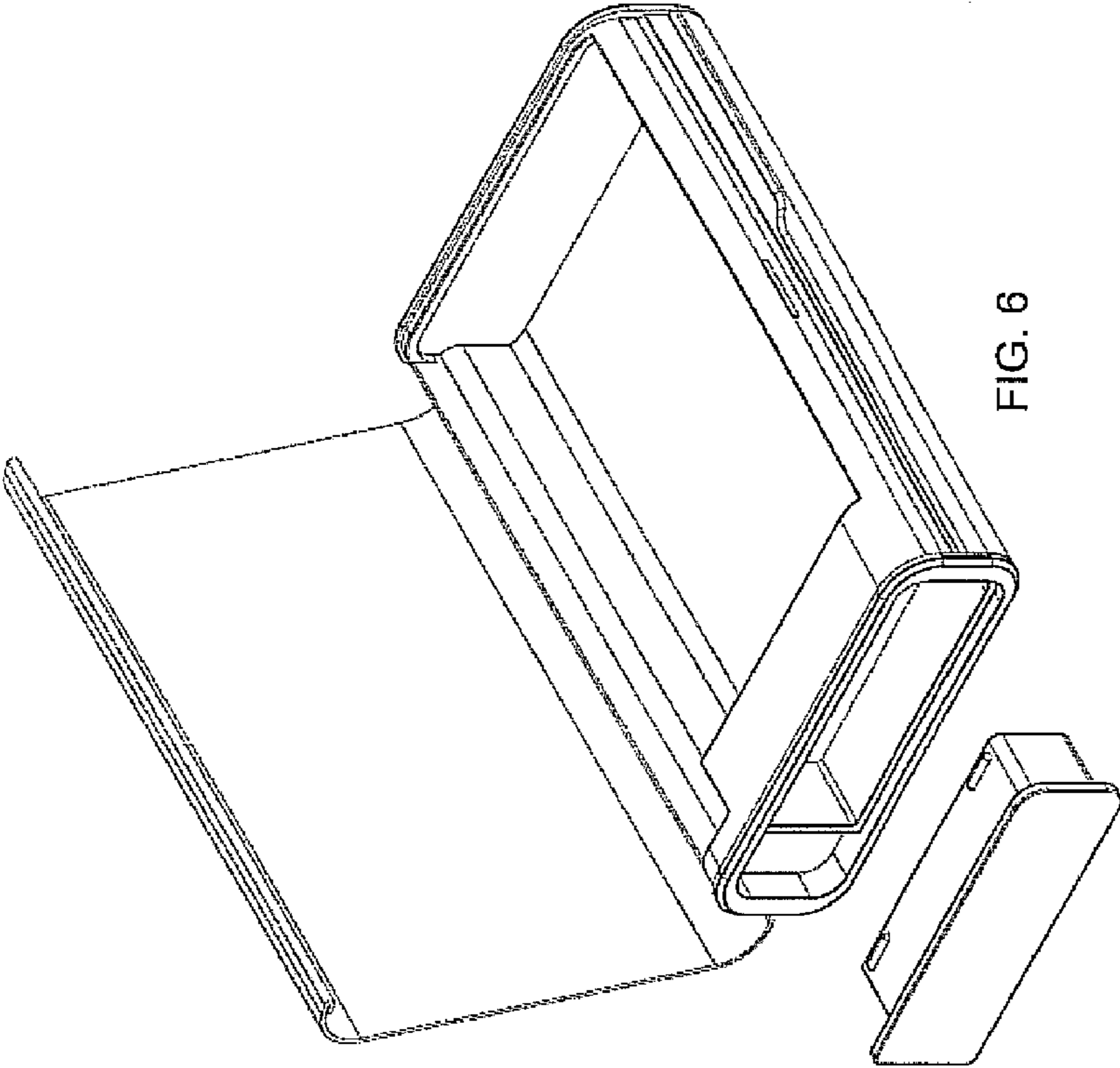


FIG. 8



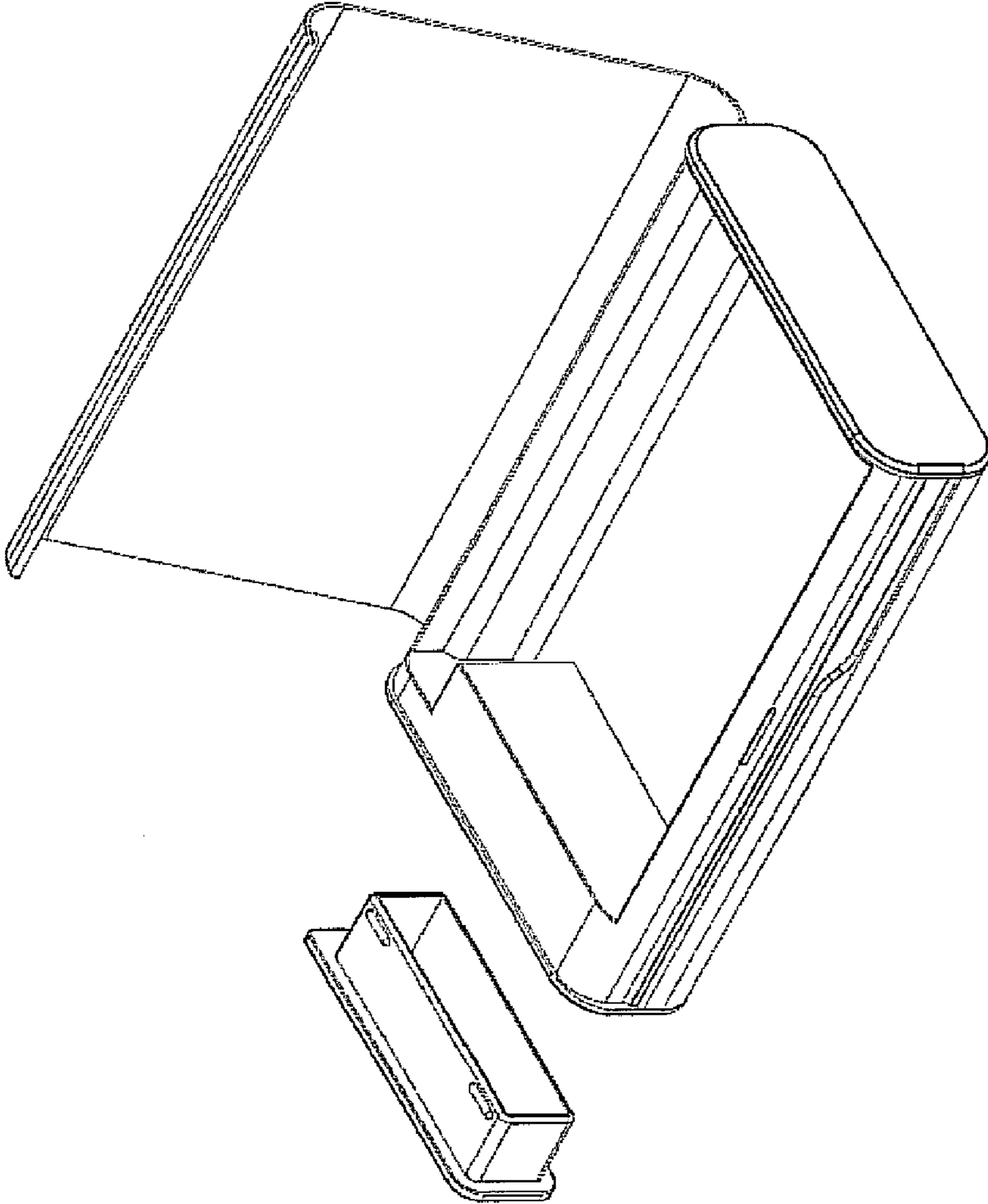


FIG. 7

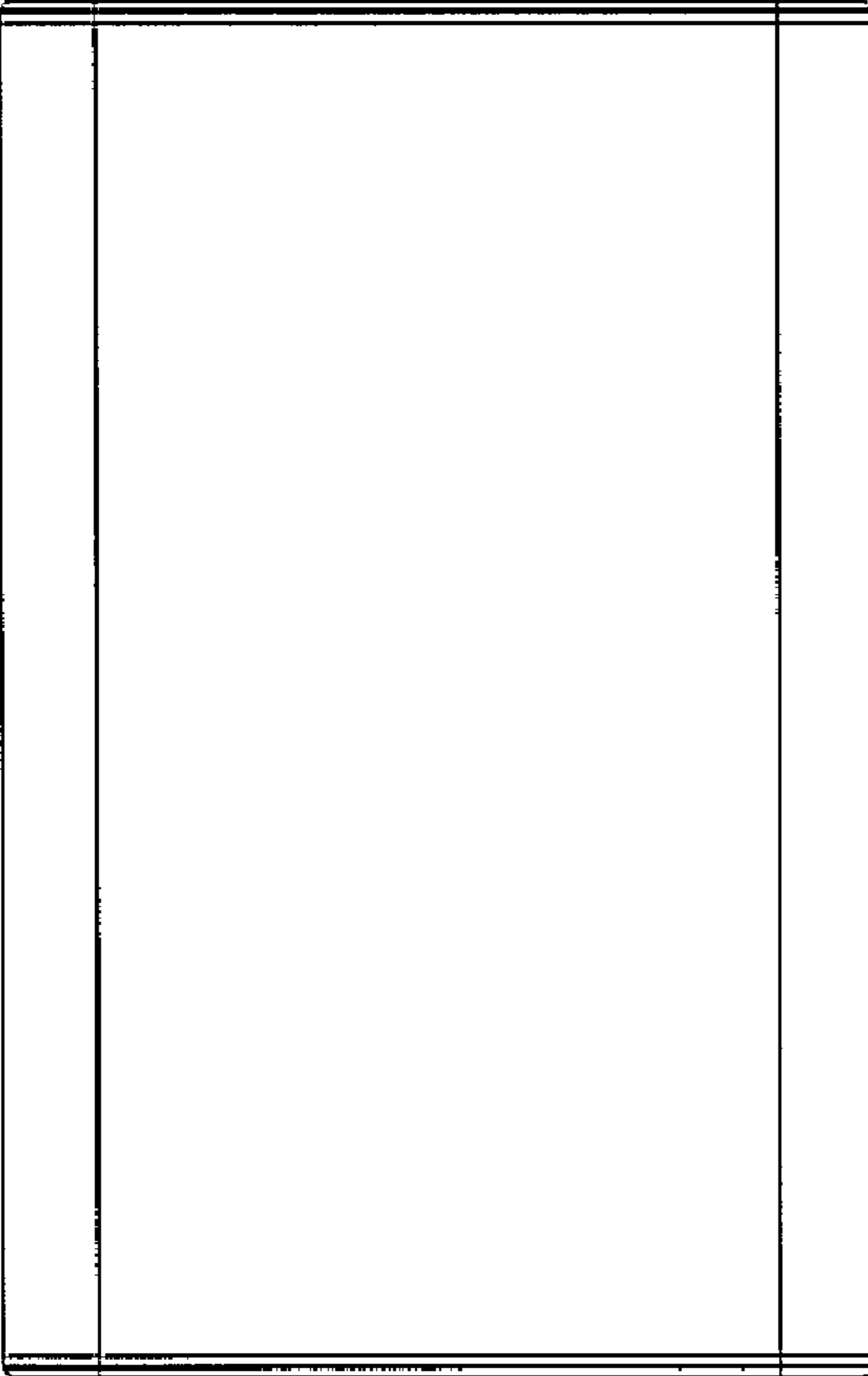


FIG. 10