



US00D624398S

(12) **United States Design Patent**
Ham

(10) **Patent No.:** **US D624,398 S**

(45) **Date of Patent:** **** Sep. 28, 2010**

(54) **SPRING**

(75) Inventor: **Tomaz Ham**, Ljubljana (SI)

(73) Assignee: **HAM d.o.o.**, Ljubljana (SI)

(**) Term: **14 Years**

(21) Appl. No.: **29/294,288**

(22) Filed: **Jan. 2, 2008**

(51) **LOC (9) Cl.** **08-99**

(52) **U.S. Cl.** **D8/499**

(58) **Field of Classification Search** D8/400-499;
D6/500, 504, 392; 5/246, 248, 256, 257
See application file for complete search history.

(56) **References Cited**

U.S. PATENT DOCUMENTS

339,762 A *	4/1886	Goewey	267/166
D248,978 S *	8/1978	Shaneour	D21/828
D256,192 S *	8/1980	Lofton	D6/370
D318,588 S *	7/1991	Koepke	D6/500
D531,434 S *	11/2006	True	D6/500
D589,284 S *	3/2009	Lenterman	D6/495
D594,256 S *	6/2009	Lenterman	D6/495

FOREIGN PATENT DOCUMENTS

SI 20455 * 12/1999

OTHER PUBLICATIONS

SpinaliS. Electronically published 2007. Web. Accessed Nov. 7, 2009. <<http://spinalis.net>>. Product annotated.*

SpinaliS. Electronically published 2007. Web. Accessed Nov. 7, 2009. <<http://spinalis.net>>. Product annotated.*

SpinaliS. SpinaliS Instructions for Use. SpinaliS. Print. No date. Accessed Nov. 7, 2009. p. 2, Product A.*

* cited by examiner

Primary Examiner—Cathron C Brooks

Assistant Examiner—Barbara Fox

(74) *Attorney, Agent, or Firm*—The Watson I.P. Group, PLC;
Jovan N. Jovanovic; Vladan M. Vasiljevic

(57) **CLAIM**

The ornamental design for a spring, as shown and described.

DESCRIPTION

FIG. 1 is a perspective view of a spring showing my new design

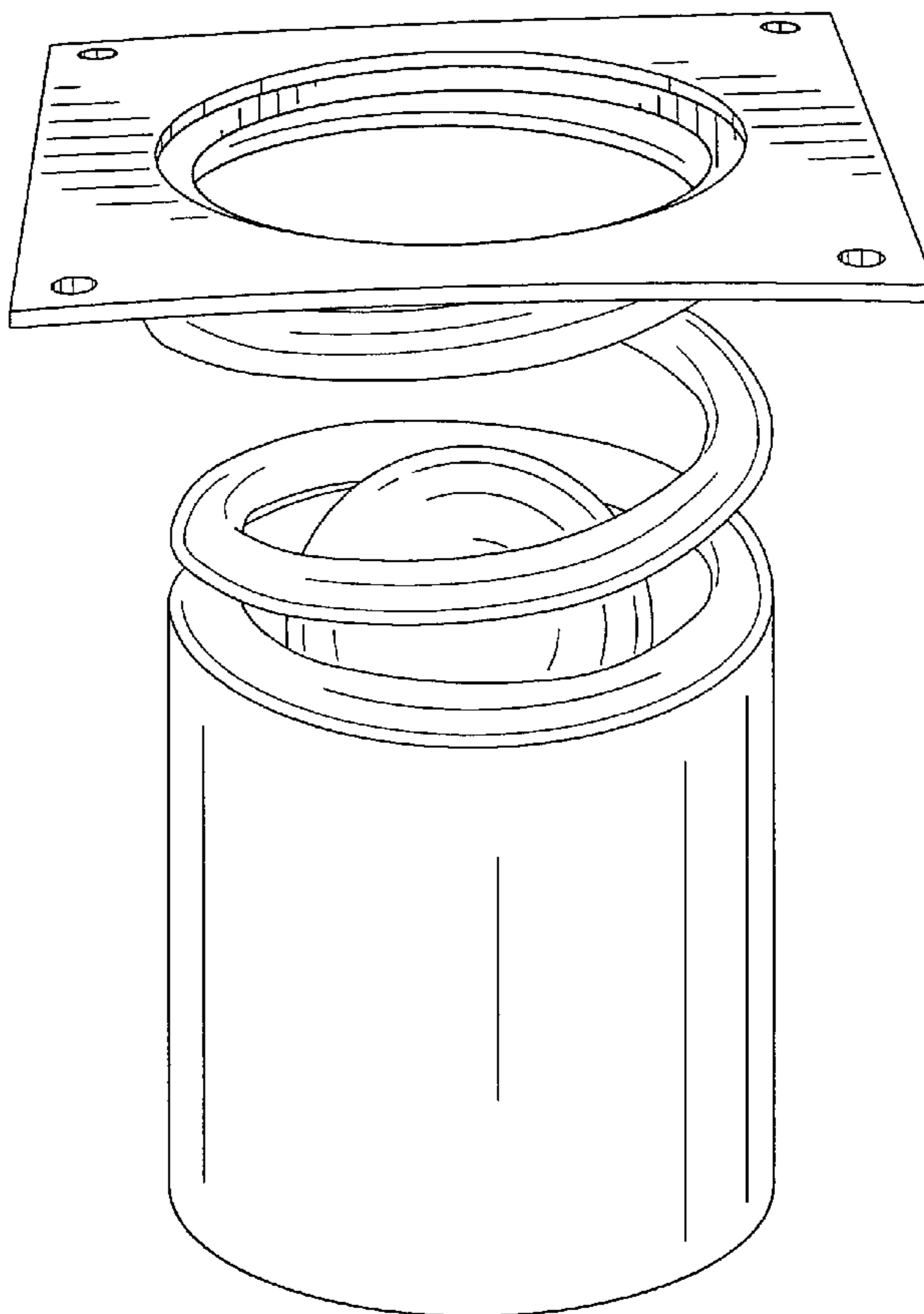
FIG. 2 of the drawings is a front elevational view thereof;

FIG. 3 of the drawings is a side elevational view thereof;

FIG. 4 of the drawings is a top plan view thereof; and,

FIG. 5 of the drawings is a bottom plan view thereof.

1 Claim, 5 Drawing Sheets



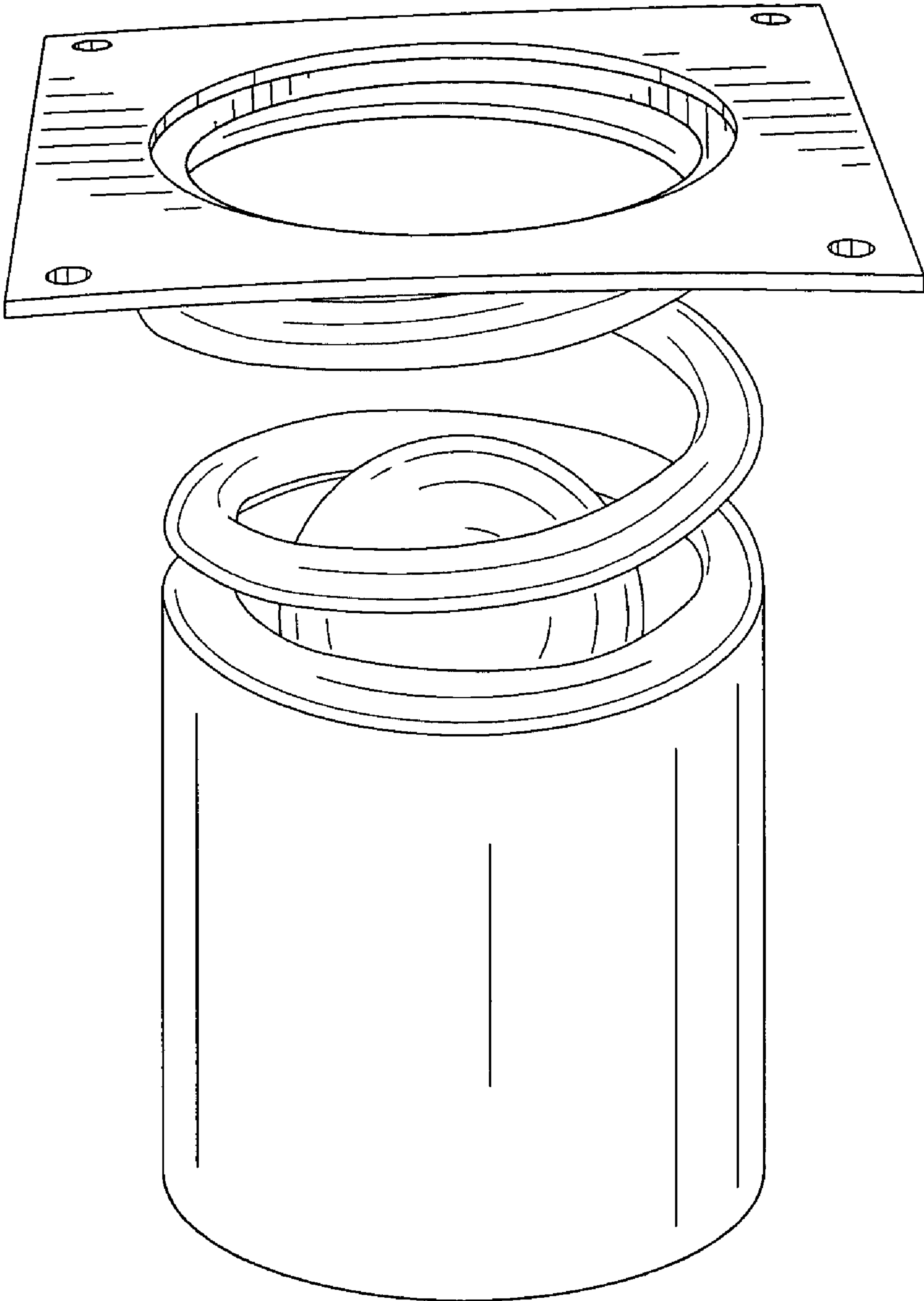


FIG. 1

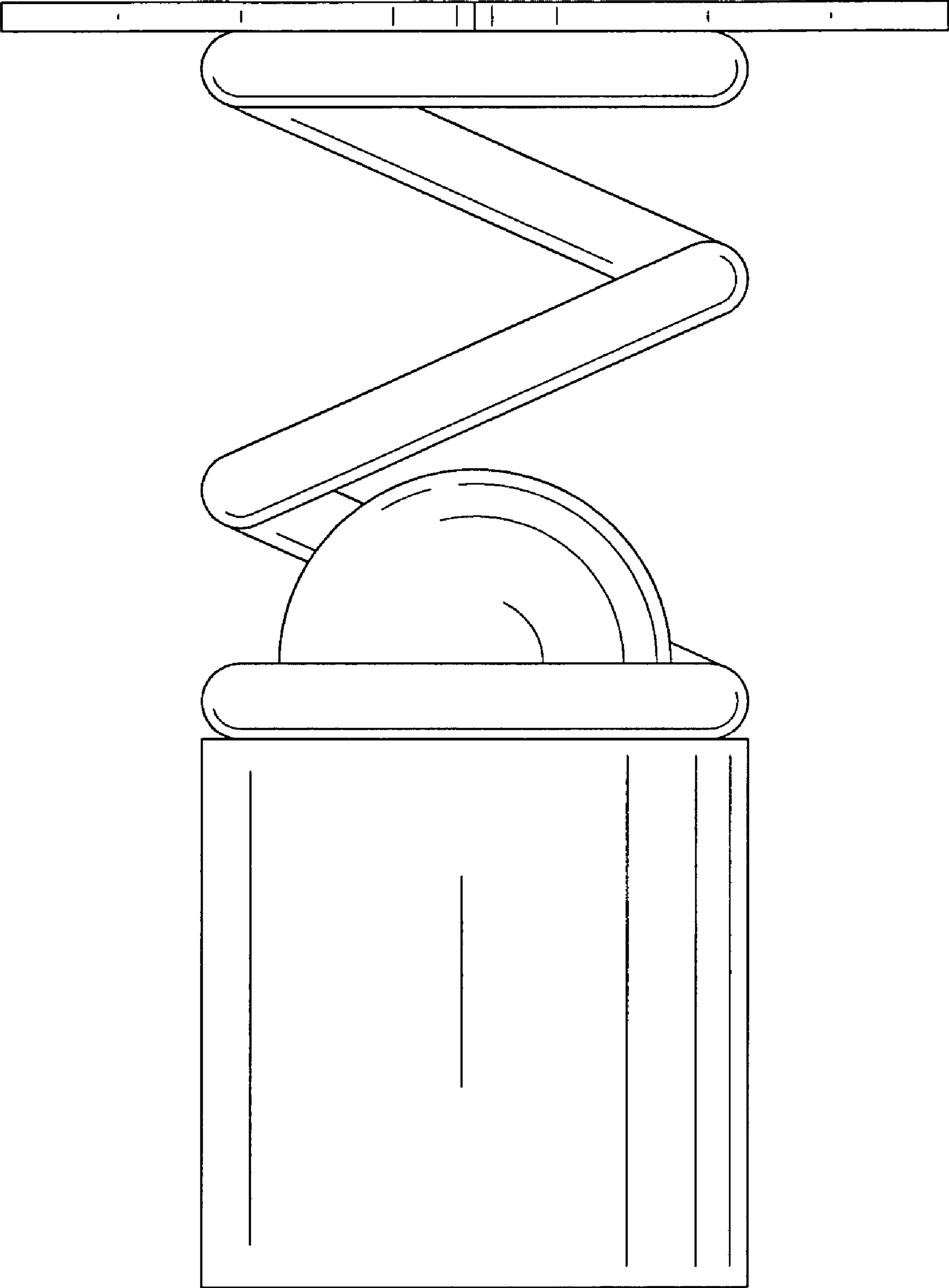


FIG. 2

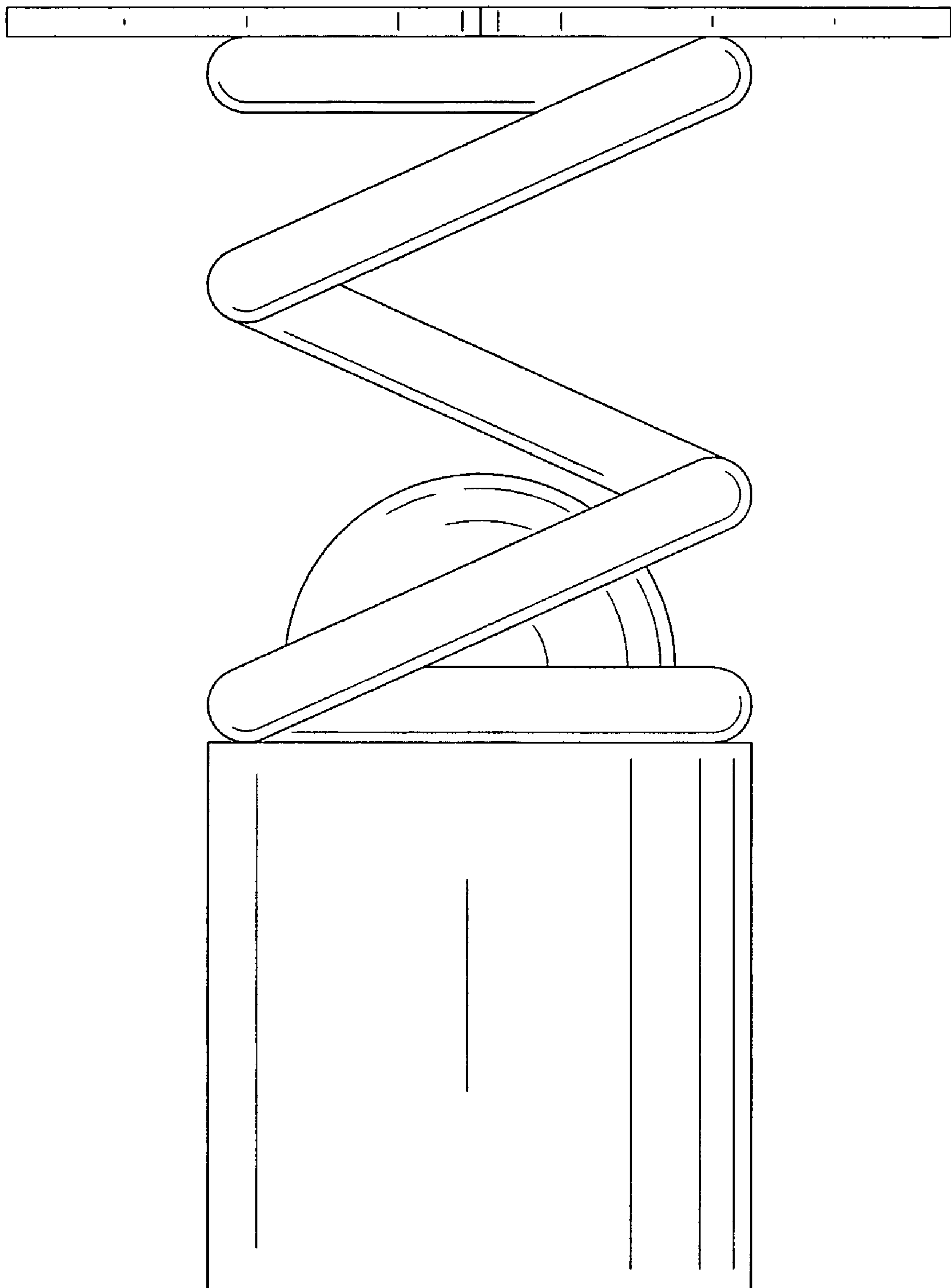


FIG. 3

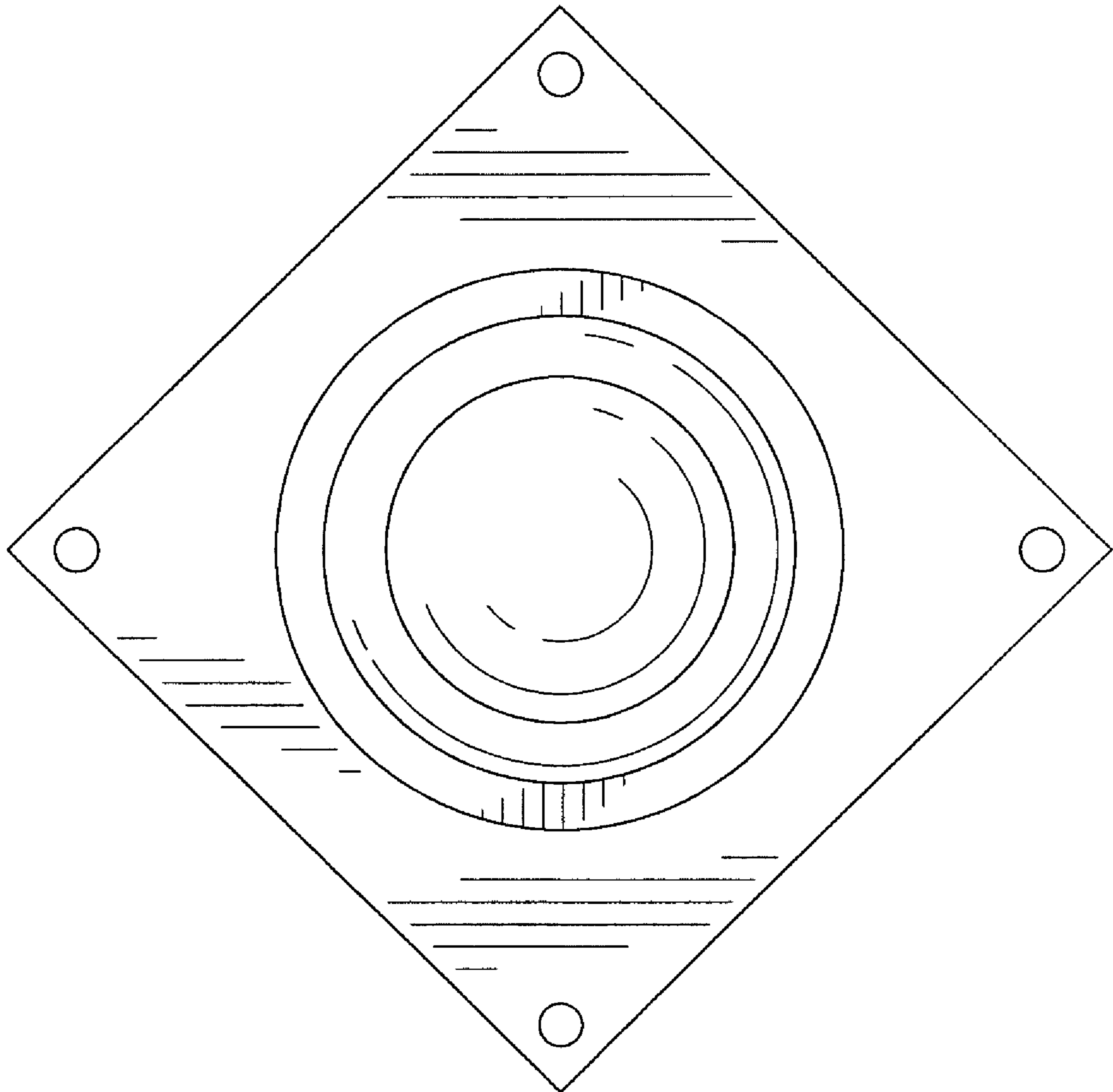


FIG. 4

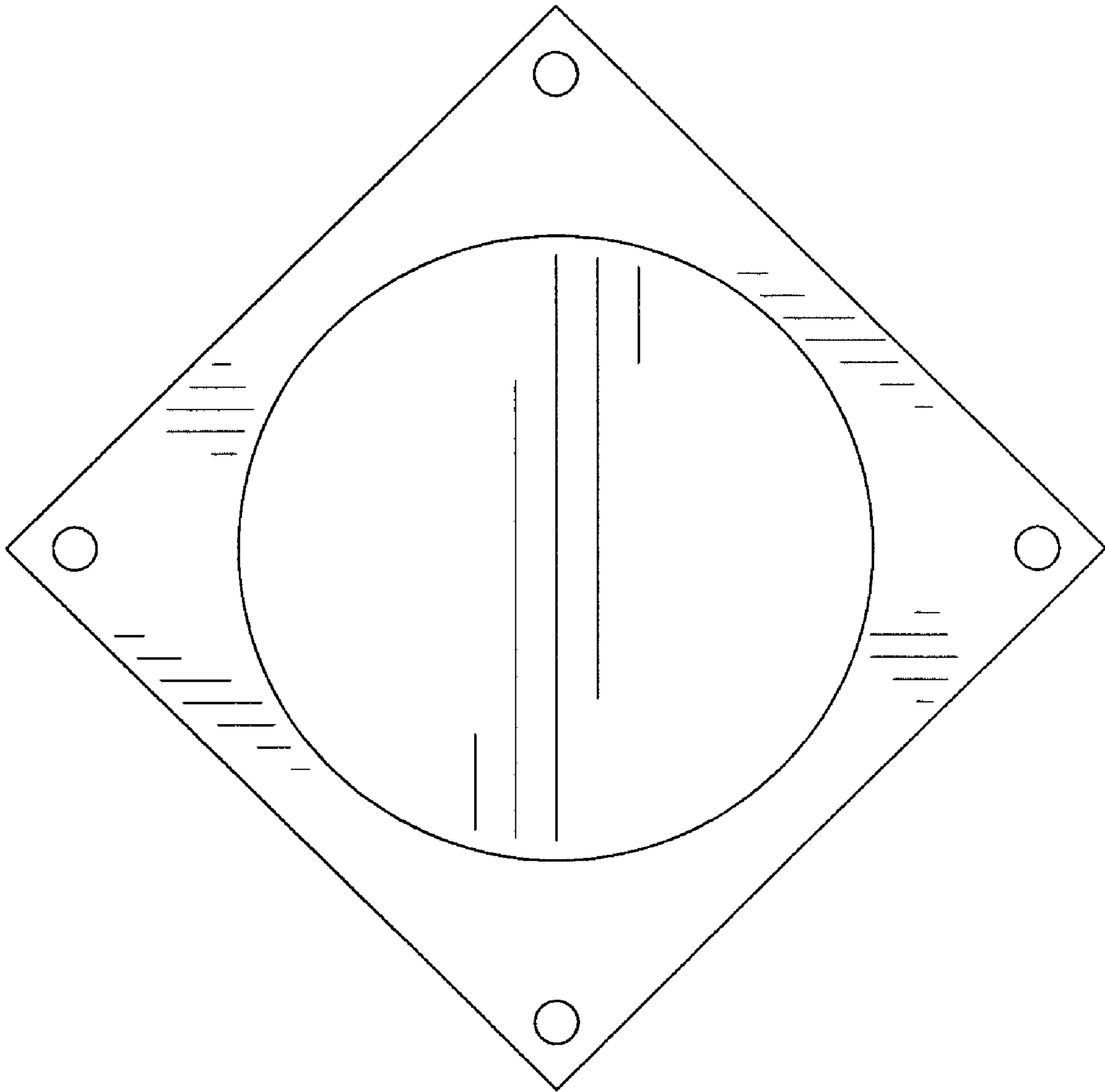


FIG. 5