



US00D624397S

(12) **United States Design Patent**
Ball et al.

(10) **Patent No.:** **US D624,397 S**
(45) **Date of Patent:** **** Sep. 28, 2010**

(54) **LATCHING AND SECURING MECHANISM FOR IMAGE TRANSFER WRAP**

(76) Inventors: **James L. Ball**, 204 W. Lincoln St., Frontenac, KS (US) 66763; **Danny L. Gepford, Jr.**, 102 N. Cayuga St., Frontenac, KS (US) 66763

(**) Term: **14 Years**

(21) Appl. No.: **29/342,205**

(22) Filed: **Aug. 20, 2009**

(51) **LOC (9) Cl.** **08-08**

(52) **U.S. Cl.** **D8/396**

(58) **Field of Classification Search** D8/354, D8/356, 371, 394-396; D19/65, 86; D24/128; 248/74.2, 215, 227.1, 49, 300, 301, 316.7, 248/51, 489; 24/270, 3.12; 101/127.1; 156/238, 156/359, 583.8

See application file for complete search history.

(56) **References Cited**

U.S. PATENT DOCUMENTS

2,599,882	A *	6/1952	Adams	24/279
4,059,872	A *	11/1977	Delesandri	24/284
4,382,570	A *	5/1983	Craig	248/74.3
4,470,177	A *	9/1984	Ganung et al.	24/270
4,609,171	A *	9/1986	Matsui	248/74.3
4,783,029	A *	11/1988	Geppert et al.	248/74.1
D317,352	S *	6/1991	Takeuchi	D23/265
5,299,367	A *	4/1994	Johnson et al.	34/95
D360,128	S *	7/1995	Huffine	D8/396
D414,405	S *	9/1999	Tompkins	D8/396

D426,577	S *	6/2000	Mackey et al.	D19/89
D438,781	S *	3/2001	Leach	D8/394
6,655,644	B1 *	12/2003	Gretz	248/74.1
D531,019	S *	10/2006	Plumer	D8/396
D570,206	S *	6/2008	Jackson	D8/396

* cited by examiner

Primary Examiner—Cathron C Brooks

Assistant Examiner—John Windmuller

(74) *Attorney, Agent, or Firm*—Intellectual Property Center, LLC; Arthur K. Shaffer

(57) **CLAIM**

The ornamental design for a latching and securing mechanism for image transfer wrap, as shown and described.

DESCRIPTION

FIG. 1 is a perspective view of a latching and securing mechanism for image transfer wrap showing our new design;

FIG. 2 is a rear elevation thereof;

FIG. 3 is a top plan view thereof;

FIG. 4 is a right elevation thereof;

FIG. 5 is a left elevation thereof;

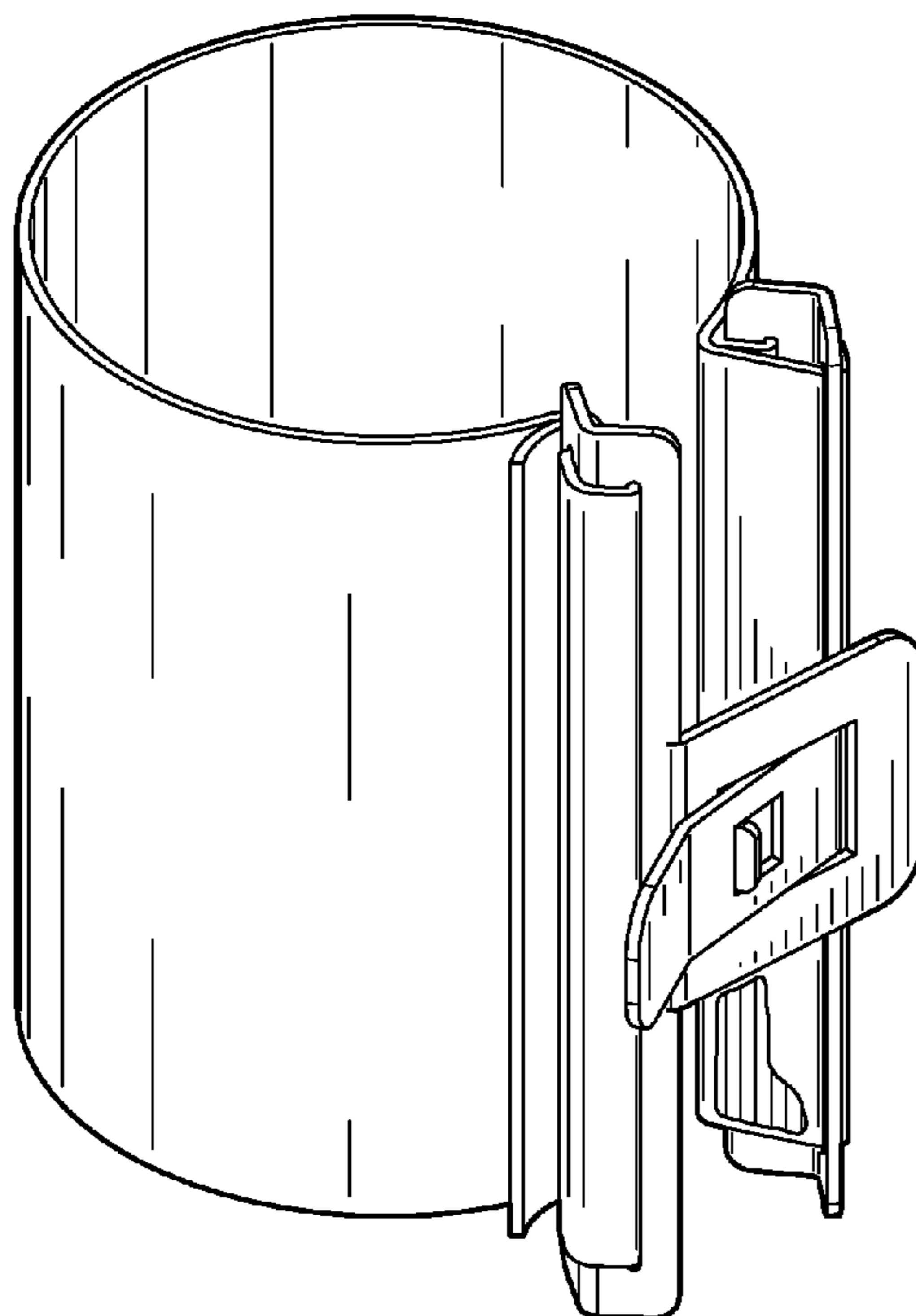
FIG. 6 is a front elevation thereof;

FIG. 7 is a bottom plan view thereof; and,

FIG. 8 is a perspective view thereof in use with a cup.

In FIG. 8, the cup shown in broken lines depicts environmental subject matter only and forms no part of the claimed design.

1 Claim, 5 Drawing Sheets



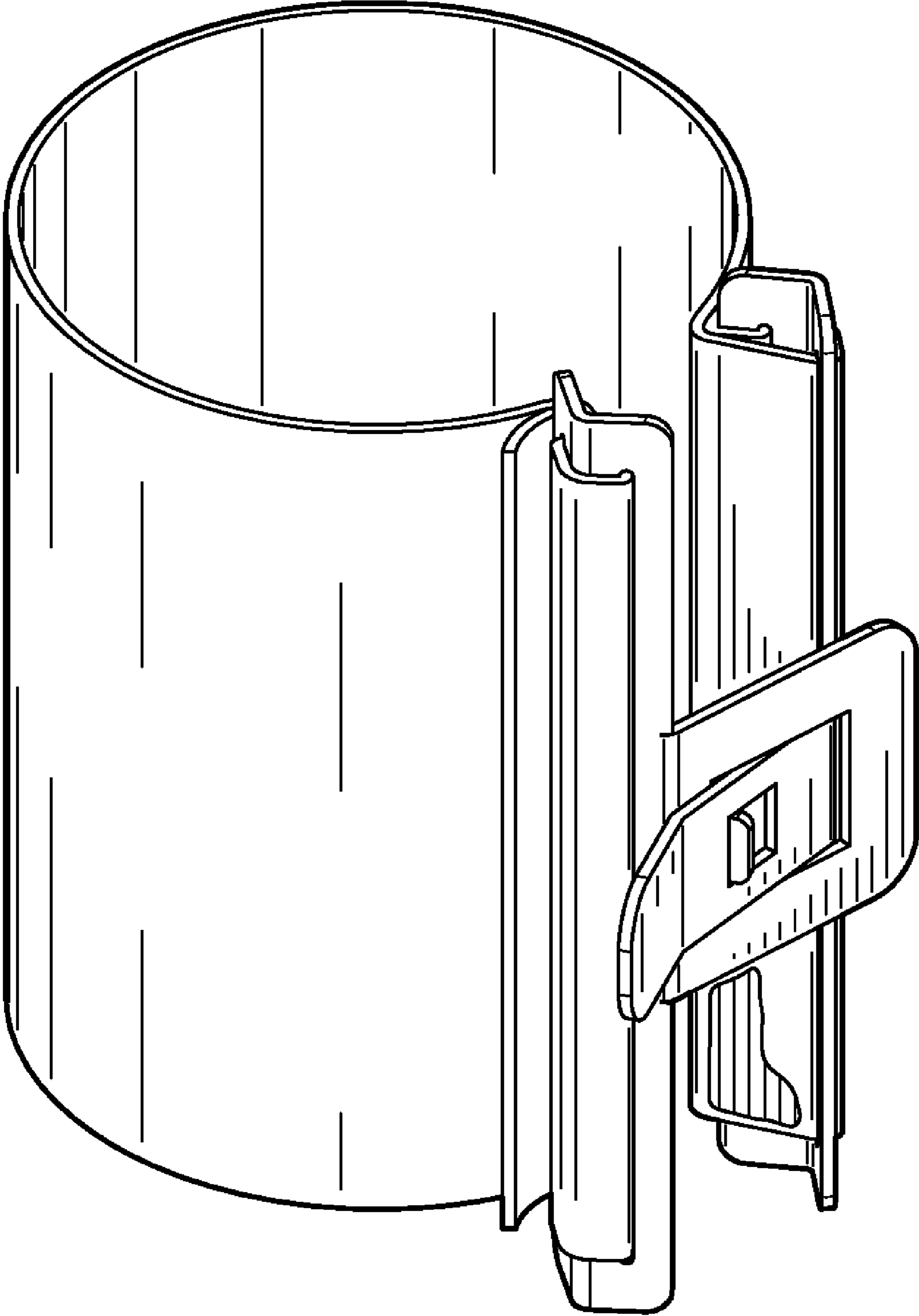


FIG.1

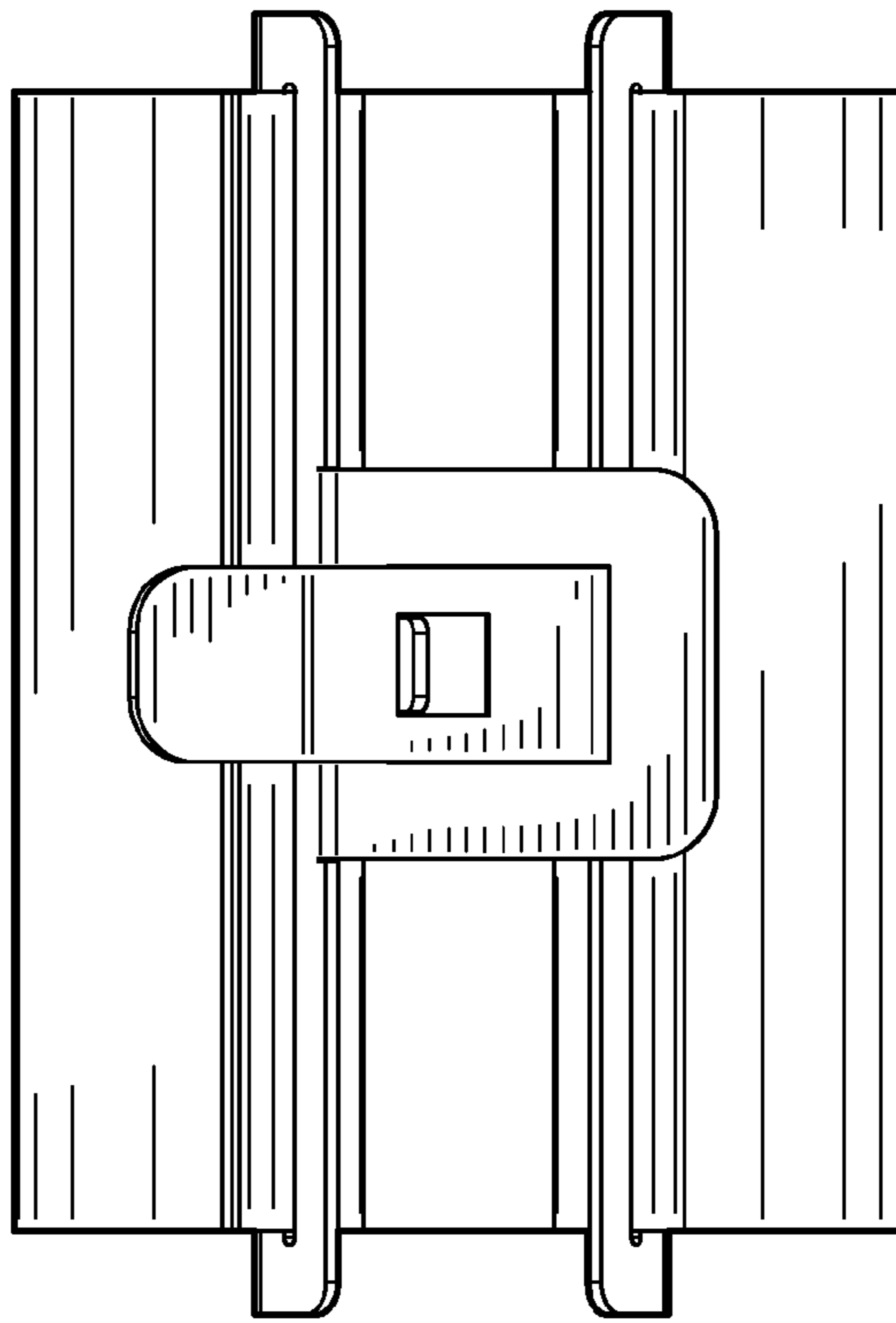


FIG. 2

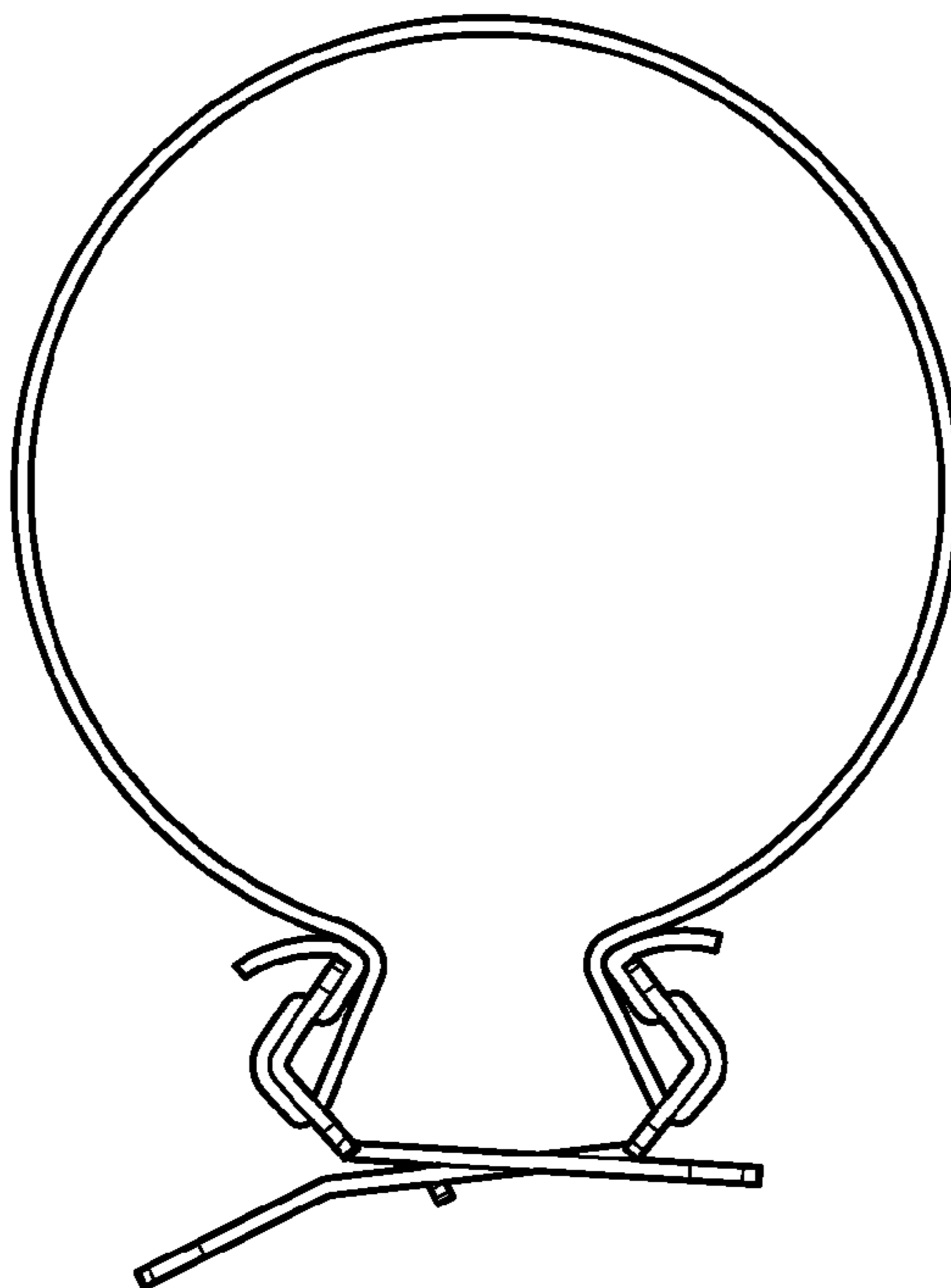


FIG. 3

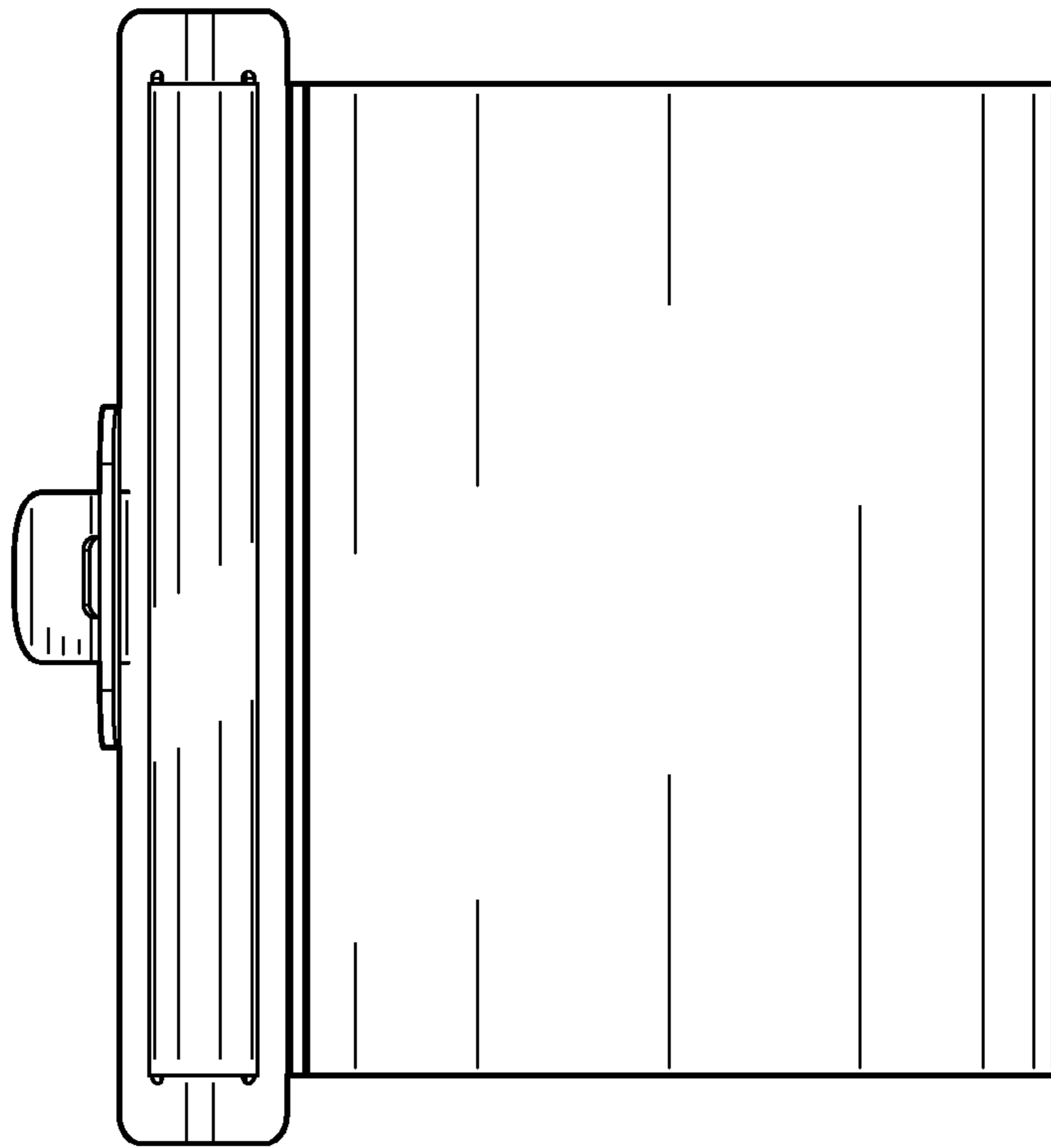


FIG. 4

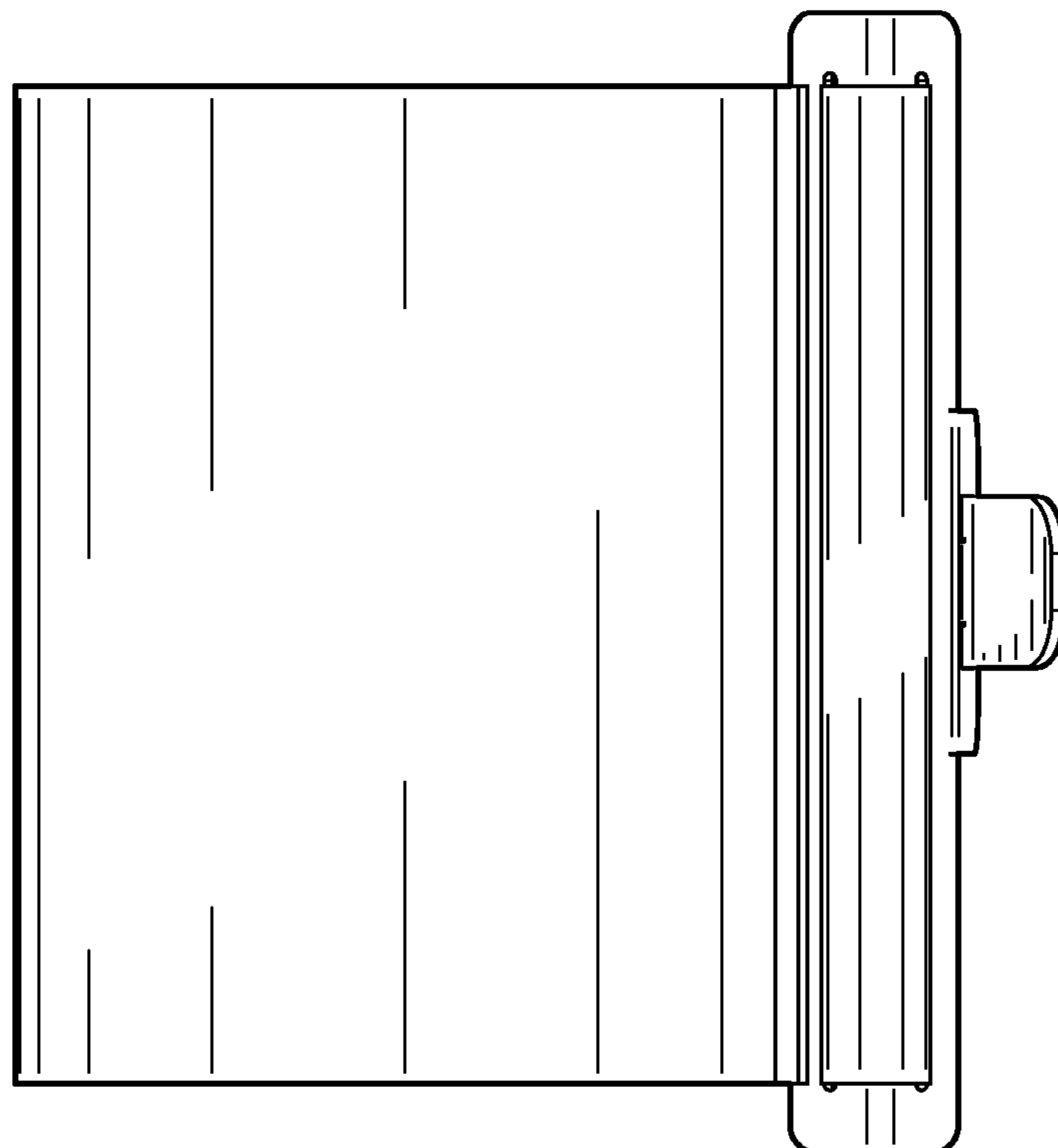


FIG. 5

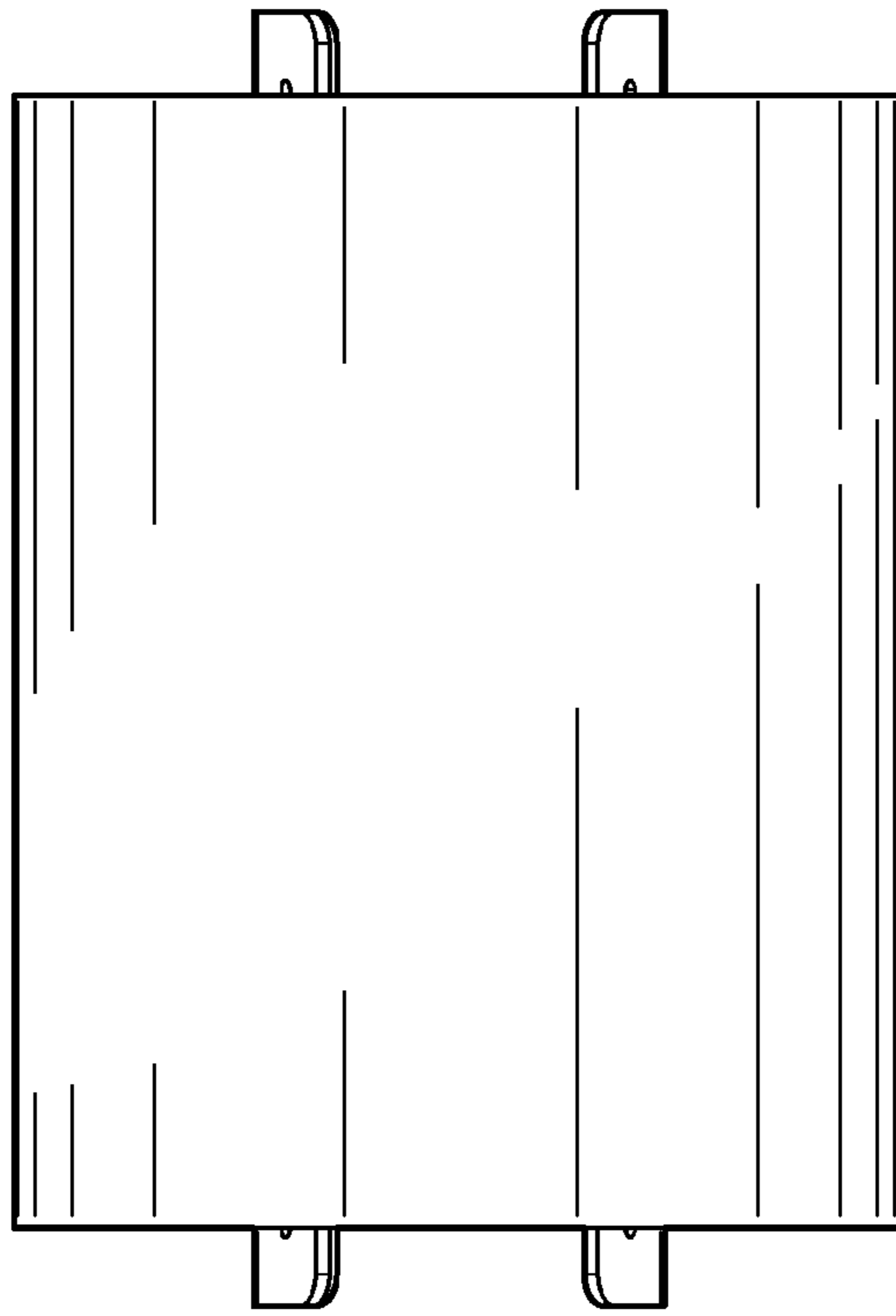


FIG. 6

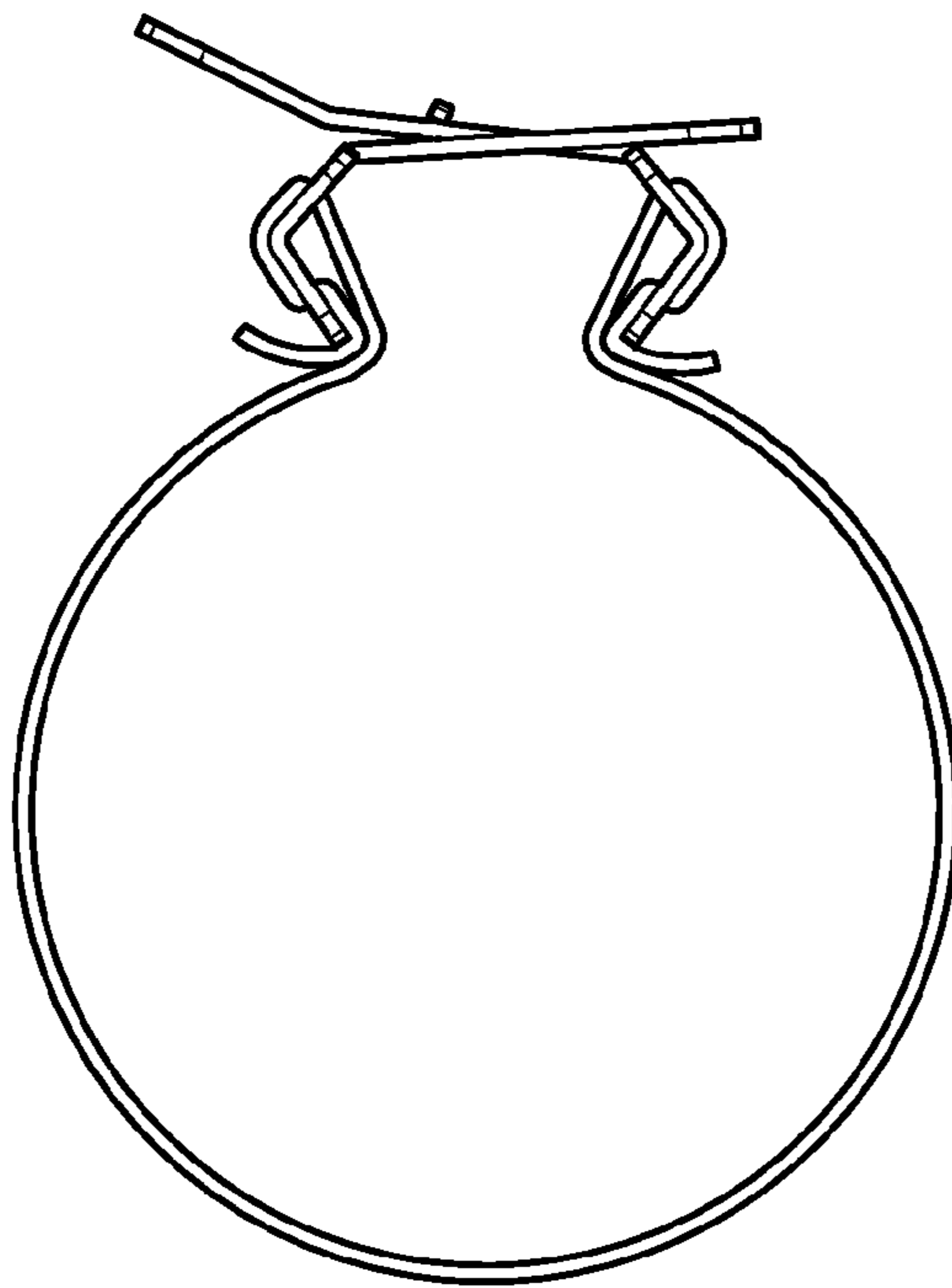


FIG. 7

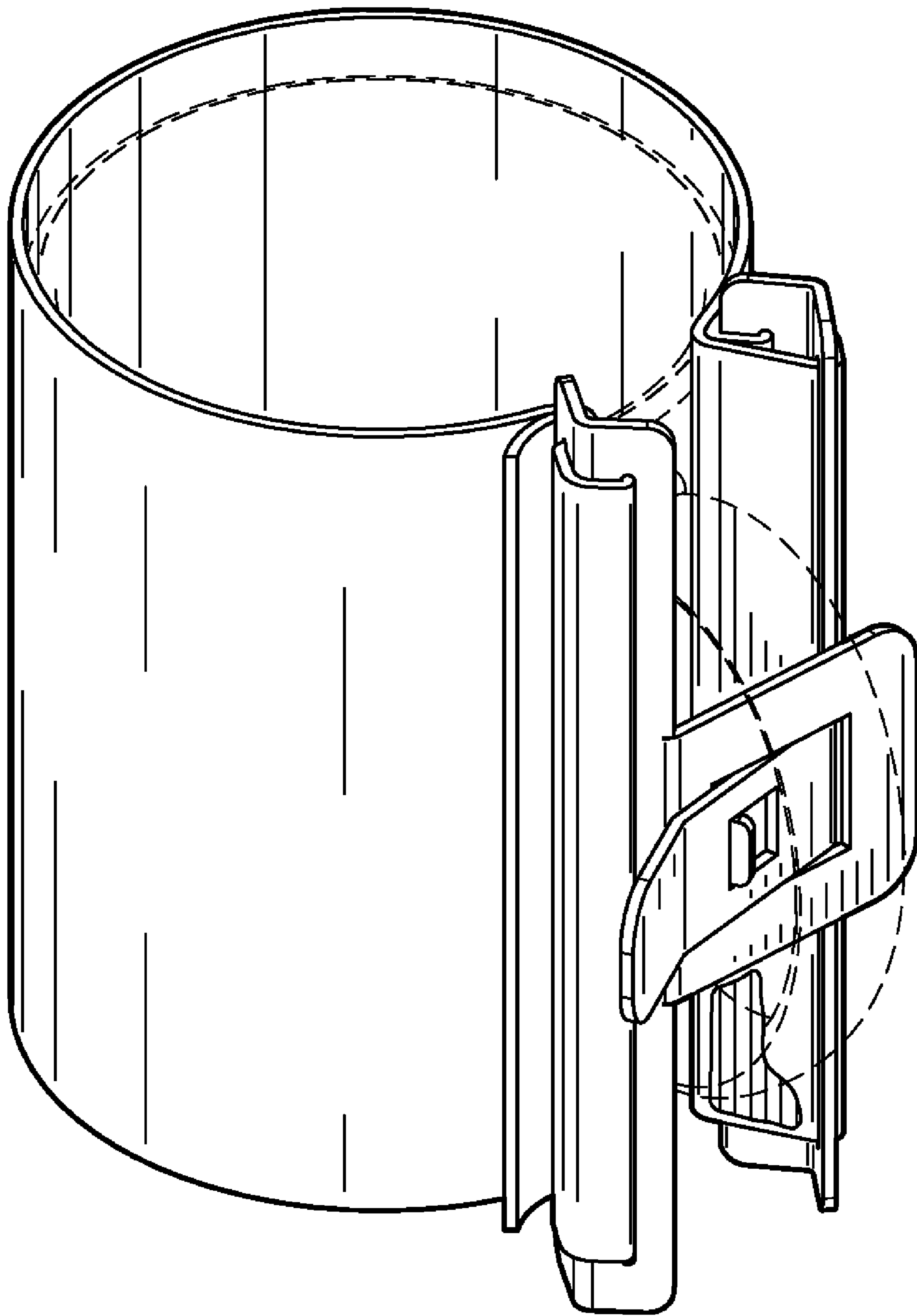


FIG. 8