



US00D624395S

(12) **United States Design Patent**
Austro

(10) **Patent No.:** **US D624,395 S**

(45) **Date of Patent:** **** Sep. 28, 2010**

(54) **CONNECTOR FOR SHEET PILING**

(75) Inventor: **James Bryan Austro**, Wharton, NJ (US)

(73) Assignee: **Skyline Steel, LLC**, Parsippany, NJ (US)

(**) Term: **14 Years**

(21) Appl. No.: **29/351,895**

(22) Filed: **Dec. 14, 2009**

(51) **LOC (9) Cl.** **08-08**

(52) **U.S. Cl.** **D8/382**

(58) **Field of Classification Search** D8/382,
D8/394, 395; D25/119; 403/279, 278; 24/573.09,
24/346, 370, 598.5

See application file for complete search history.

(56) **References Cited**

U.S. PATENT DOCUMENTS

3,688,508 A	9/1972	Taylor
D464,738 S	10/2002	Wall
D465,580 S	11/2002	Wall
D472,455 S	4/2003	Wall
D540,660 S	4/2007	Heindl
D540,661 S	4/2007	Heindl
D541,639 S	5/2007	Heindl
D541,640 S	5/2007	Heindl
D541,641 S	5/2007	Heindl
D542,634 S	5/2007	Heindl
D542,635 S	5/2007	Heindl

D542,636 S	5/2007	Heindl
D542,637 S	5/2007	Heindl
D542,638 S	5/2007	Heindl
D542,639 S	5/2007	Heindl
D542,640 S	5/2007	Heindl
D542,641 S	5/2007	Heindl
D543,097 S	5/2007	Heindl
D543,098 S	5/2007	Heindl
2008/0219776 A1	9/2008	Heindl et al.

FOREIGN PATENT DOCUMENTS

DE 3907348 A1 9/1990

Primary Examiner—Holly H Baynham

Assistant Examiner—Sheryl Lane

(74) *Attorney, Agent, or Firm*—Hoffman & Baron, LLP

(57) **CLAIM**

The ornamental design for a connector for sheet piling, as shown and described.

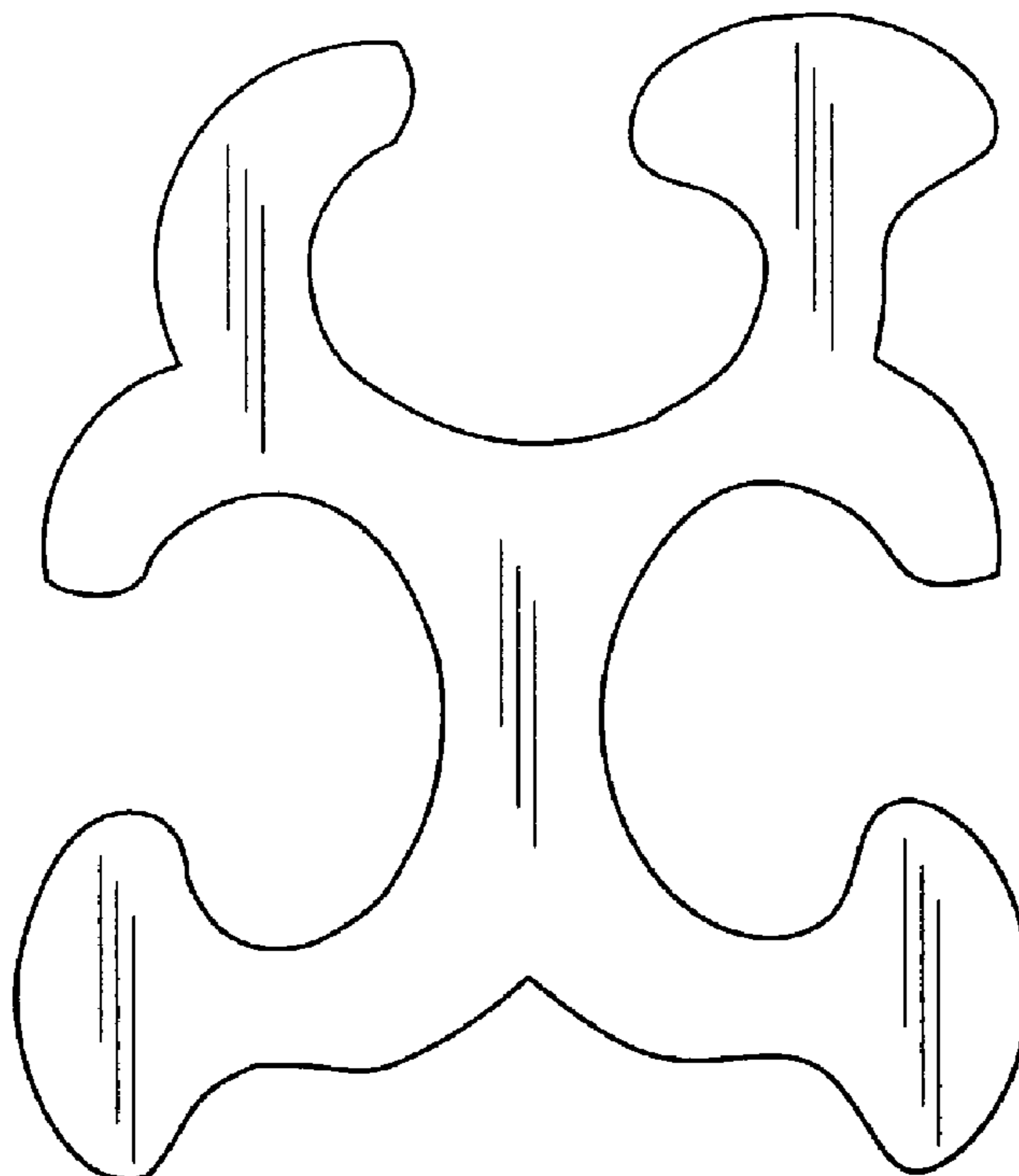
DESCRIPTION

FIG. 1 is an end view of the connector for sheet piling.

FIG. 2 is a perspective view of the first side of the connector for sheet piling. The separation of the two sections of the connector indicates indeterminate length; and,

FIG. 3 is a perspective view of the second side of the connector for sheet piling. The separation of the two sections of the connector indicates indeterminate length.

1 Claim, 2 Drawing Sheets



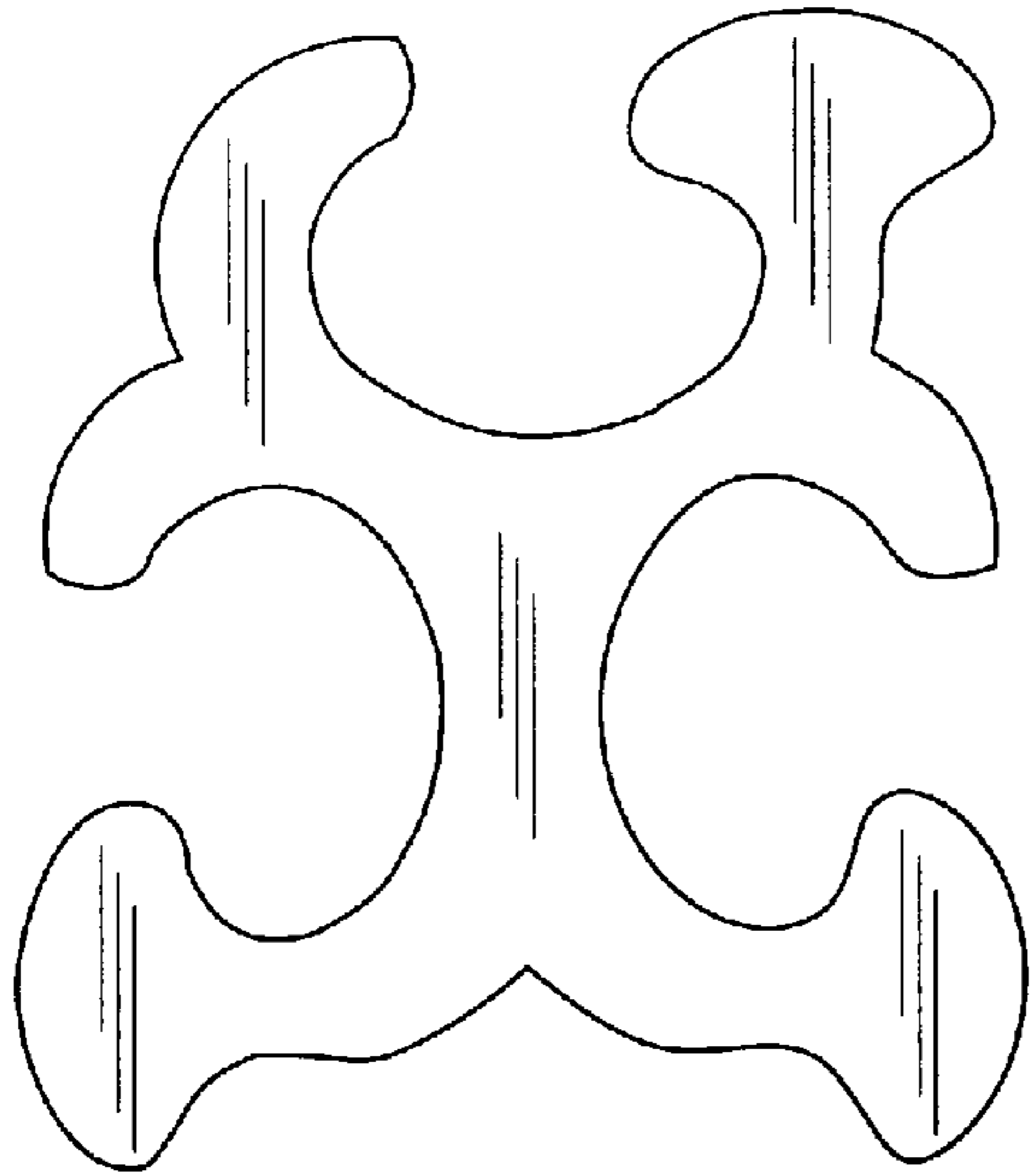


FIG. 1

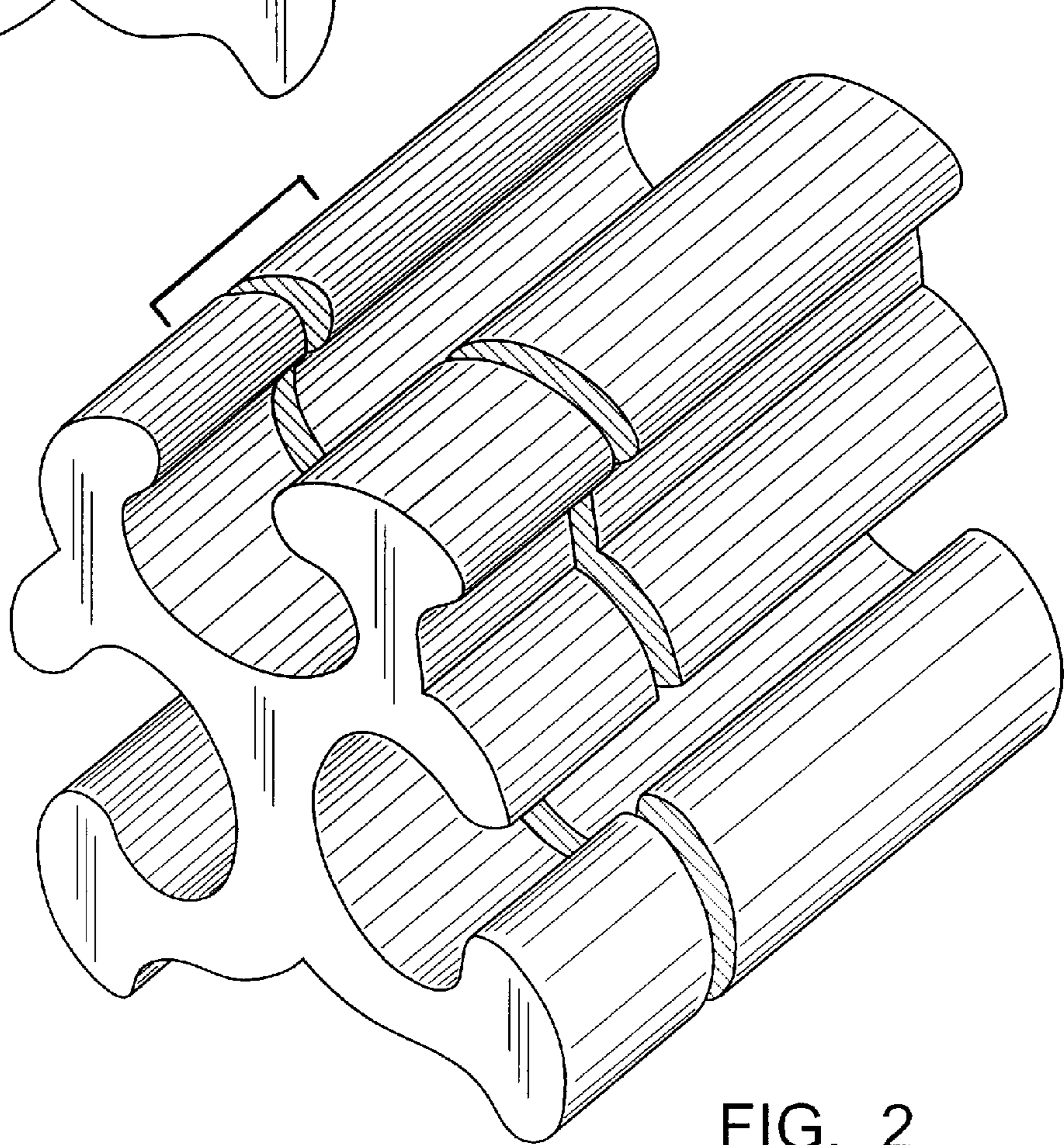


FIG. 2

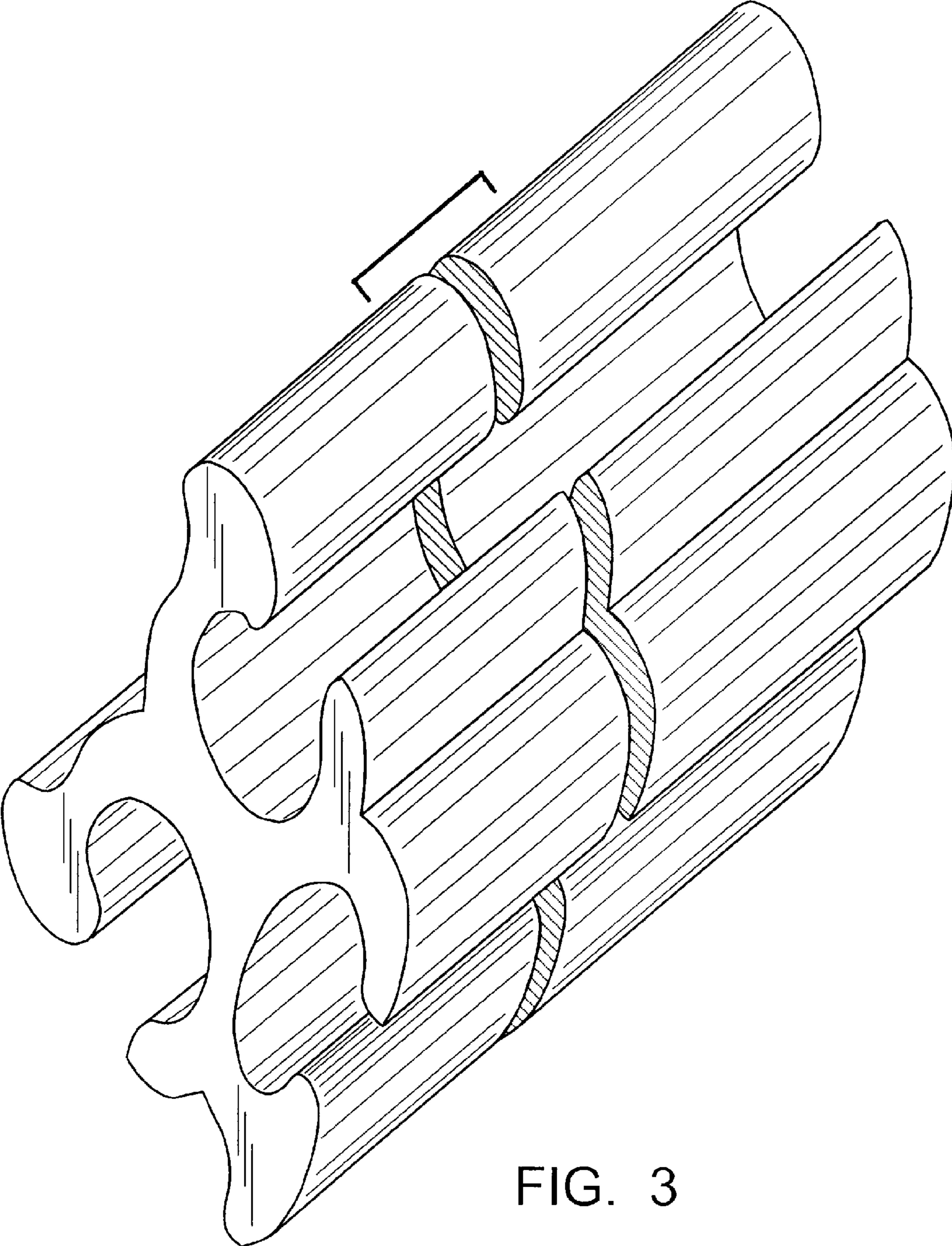


FIG. 3