



US00D624391S

(12) **United States Design Patent**  
**Arendt et al.**

(10) **Patent No.:** **US D624,391 S**

(45) **Date of Patent:** **\*\* Sep. 28, 2010**

(54) **NON-MARKING INTERLOCKING STRAP  
DEVICE**

(76) Inventors: **Kenneth P. Arendt**, 6847 Dayton Ave.,  
Sparta, WI (US) 54656; **Jeff  
Stegemeyer**, W 5801 Hickory Point Ct.,  
Onalaska, WI (US) 54650

(\*\*) Term: **14 Years**

(21) Appl. No.: **29/315,898**

(22) Filed: **Aug. 3, 2009**

(51) **LOC (9) Cl.** ..... **08-05**

(52) **U.S. Cl.** ..... **D8/349**

(58) **Field of Classification Search** ..... D8/349,  
D8/354, 499, 382; D21/486; 24/16 PB,  
24/265 R, 298, 300-305, 437-441, 482, 716  
See application file for complete search history.

(56) **References Cited**

**U.S. PATENT DOCUMENTS**

1,829,613	A	10/1931	Sato	
1,945,932	A	2/1934	Caley	
2,355,705	A	8/1944	Cohn	
4,466,159	A *	8/1984	Burrage	24/16 PB
D285,948	S *	9/1986	Mazzoleni	D21/486
4,757,578	A *	7/1988	Lamb	24/482
D304,212	S *	10/1989	Moe	D21/486
D334,036	S *	3/1993	Olsen	D21/486
5,253,393	A *	10/1993	Levin	24/301
D343,872	S *	2/1994	Wallant	D21/486
D377,750	S *	2/1997	Hubbard	D8/354

D383,373	S *	9/1997	Boeshart	D8/354
5,673,464	A *	10/1997	Whittaker	24/301
D436,018	S *	1/2001	Boeshart	D8/354
6,276,031	B1	8/2001	Haiduk	
6,490,767	B2	12/2002	Haiduk	
D543,833	S *	6/2007	Folk et al.	D8/349
D561,007	S *	2/2008	Kaesler et al.	D8/354
D567,635	S *	4/2008	Nankervis	D8/354
D580,257	S *	11/2008	Squyres	D8/349
D615,385	S *	5/2010	Arendt	D8/349

\* cited by examiner

*Primary Examiner*—Melody N Brown

(74) *Attorney, Agent, or Firm*—Tipton L. Randall

(57) **CLAIM**

The ornamental design for a non-marking interlocking strap device, as shown and described.

**DESCRIPTION**

FIG. 1 is a front view of the non-marking elastic strap device embodying our new design,

FIG. 2 is an enlarged right side view thereof,

FIG. 3 is a rear view thereof,

FIG. 4 is an enlarged left side view thereof,

FIG. 5 is a top view thereof,

FIG. 6 is a bottom view thereof; and,

FIG. 7 is a perspective front view of the non-marking elastic strap device of the present invention.

**1 Claim, 7 Drawing Sheets**

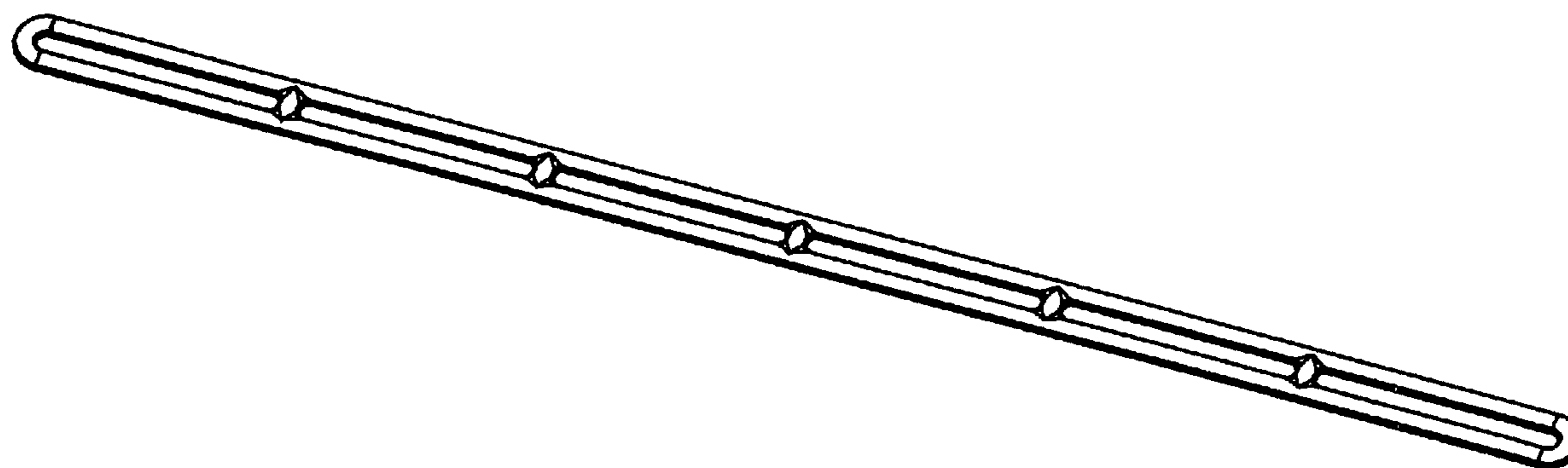




Figure 1



**Figure 2**



Figure 3



**Figure 4**



**Figure 5**



Figure 6

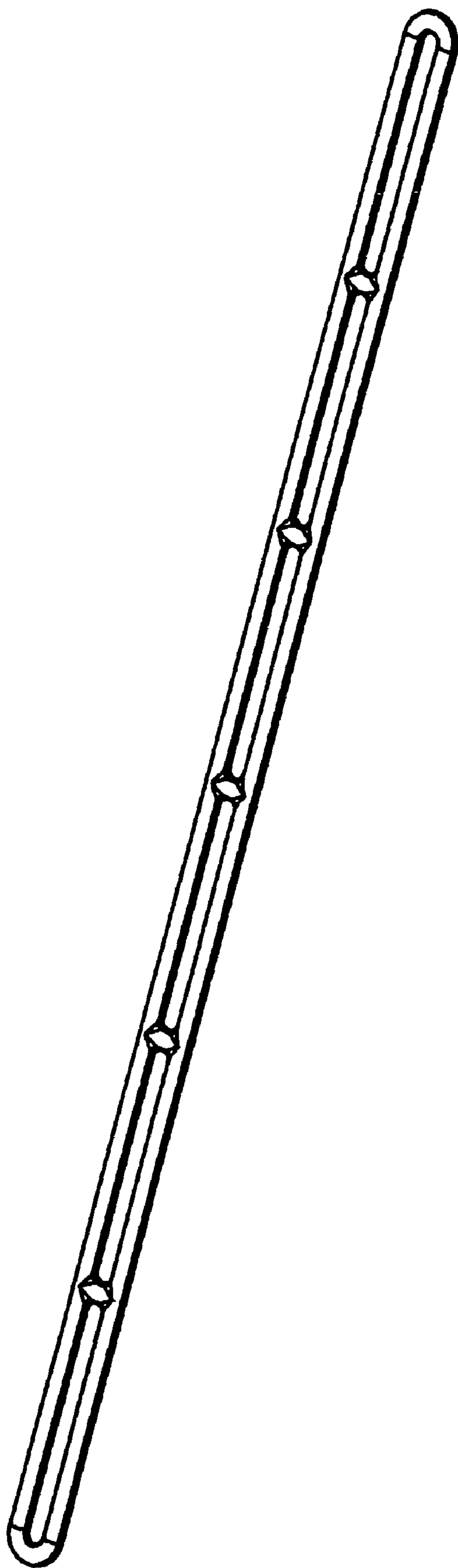


Figure 7