

US00D624390S

(12) **United States Design Patent**
Wasserman et al.

(10) **Patent No.:** **US D624,390 S**

(45) **Date of Patent:** **** Sep. 28, 2010**

(54) **PERSONAL LOCKBOX WITH DRAWER**

(75) Inventors: **Joel Wasserman**, Buffalo Grove, IL (US); **Mark Edward Fastabend**, Chicago, IL (US); **Michael Kevin McCoy**, Elgin, IL (US); **Elyse Kaye**, Chicago, IL (US)

(73) Assignee: **FKA Distributing Co.**, Commerce Township, MI (US)

(**) Term: **14 Years**

(21) Appl. No.: **29/354,852**

(22) Filed: **Jan. 29, 2010**

(51) **LOC (9) Cl.** **08-07**

(52) **U.S. Cl.** **D8/346; D8/343**

(58) **Field of Classification Search** D8/330,
D8/331, 343, 346, 374, 499; 70/14, 57, 58,
70/63, 69, 78, 80, 158, 271, 431, 434, 443
See application file for complete search history.

(56) **References Cited**

U.S. PATENT DOCUMENTS

D302,237 S *	7/1989	O'Day	D8/330
D325,374 S *	4/1992	Ashby	D13/154
D347,193 S *	5/1994	Keyser	D10/49
6,490,893 B1 *	12/2002	Benion	70/63
D492,573 S *	7/2004	Karamanos et al.	D8/330
6,937,140 B1 *	8/2005	Outslay et al.	340/5.73
D525,112 S *	7/2006	Butts et al.	D8/346
D527,614 S *	9/2006	St. James	D8/346

D539,633 S *	4/2007	Van Handel	D8/333
D569,226 S *	5/2008	Brewster et al.	D8/346
D582,254 S	12/2008	Turpault et al.		
D582,255 S	12/2008	Turpault et al.		
2003/0090364 A1 *	5/2003	Cardinale et al.	340/5.54
2004/0026492 A1 *	2/2004	Farentinos	232/45

* cited by examiner

Primary Examiner—Prabhakar Deshmukh

(74) *Attorney, Agent, or Firm*—Fraser Clemens Martin & Miller LLC; J. Douglas Miller

(57) **CLAIM**

The ornamental design for a personal lockbox with drawer, as shown and described.

DESCRIPTION

FIG. 1 is a front perspective view of a personal lockbox with drawer incorporating our new design;

FIG. 2 is a front elevation view thereof;

FIG. 3 is a rear elevation view thereof;

FIG. 4 is a top plan view thereof;

FIG. 5 is a bottom plan view thereof;

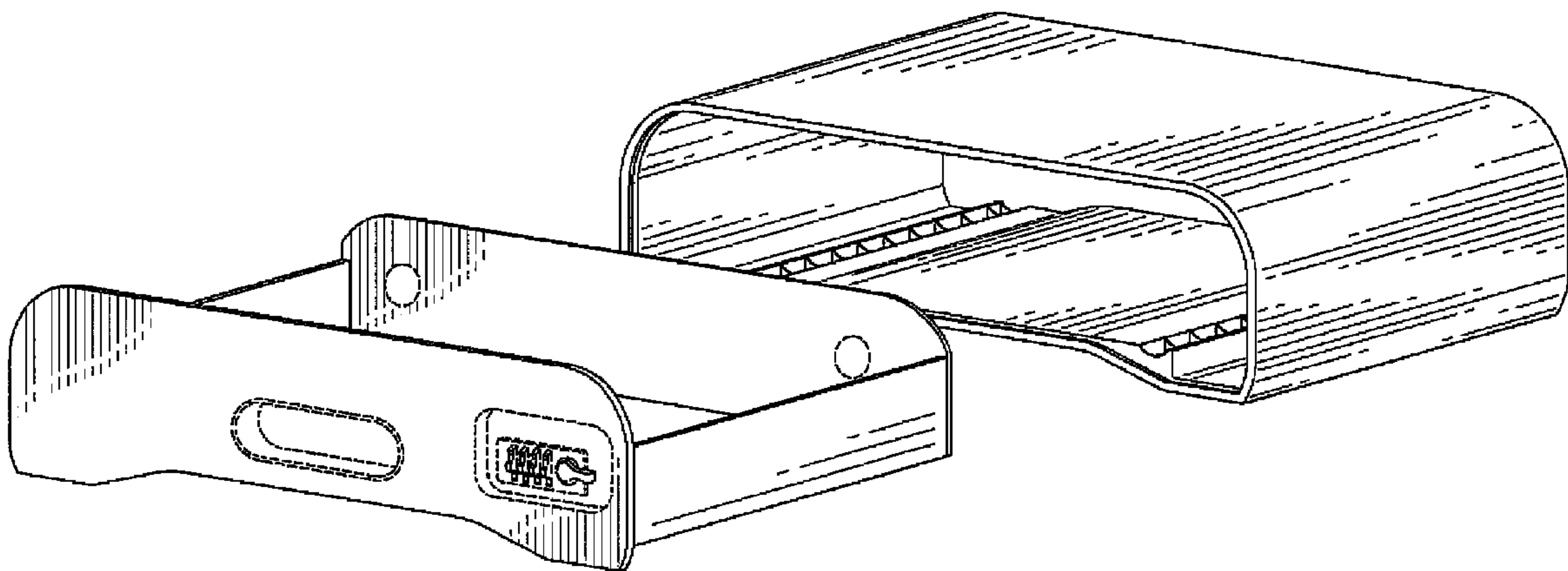
FIG. 6 is a right side elevation view thereof;

FIG. 7 is a left side elevation view thereof; and,

FIG. 8 is a front perspective view thereof with the drawer pulled out of the base unit.

The broken lines are for illustrative purpose only and form no part of the claimed design.

1 Claim, 5 Drawing Sheets



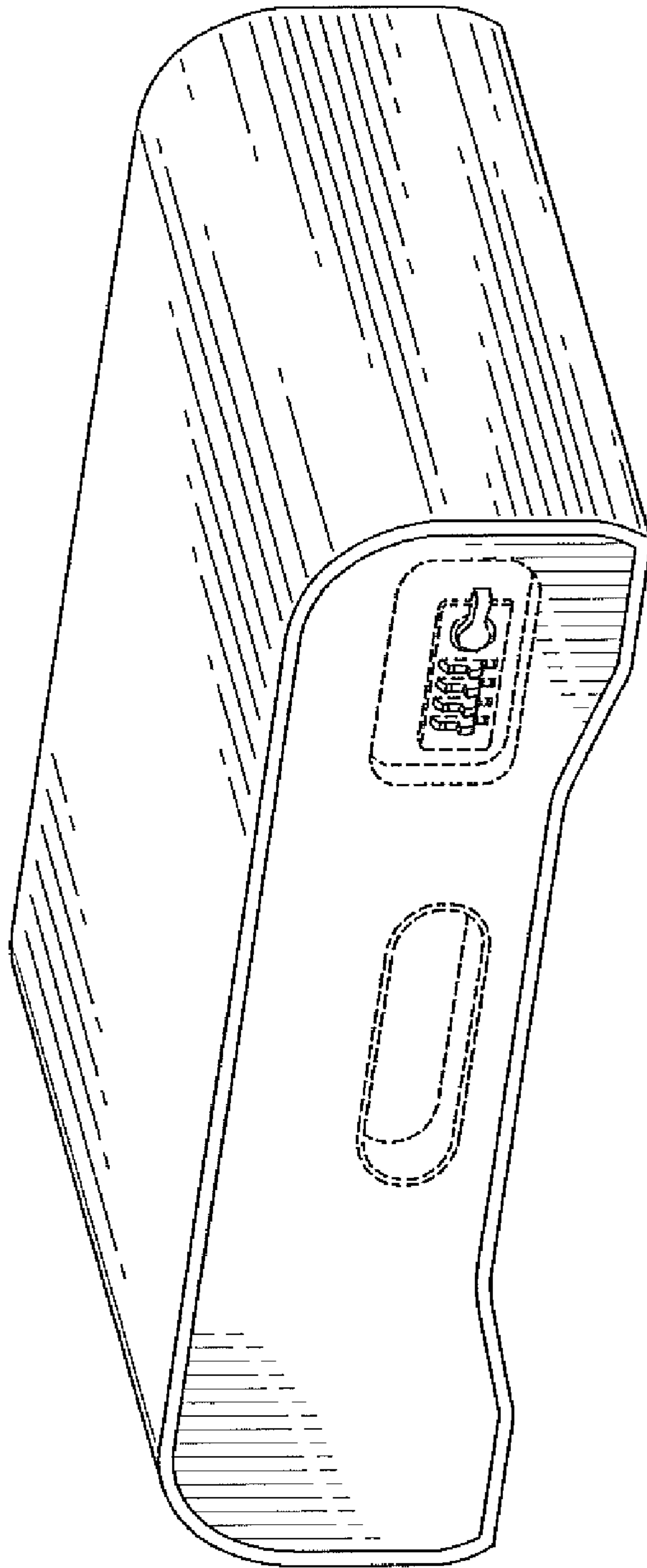


FIG. 1

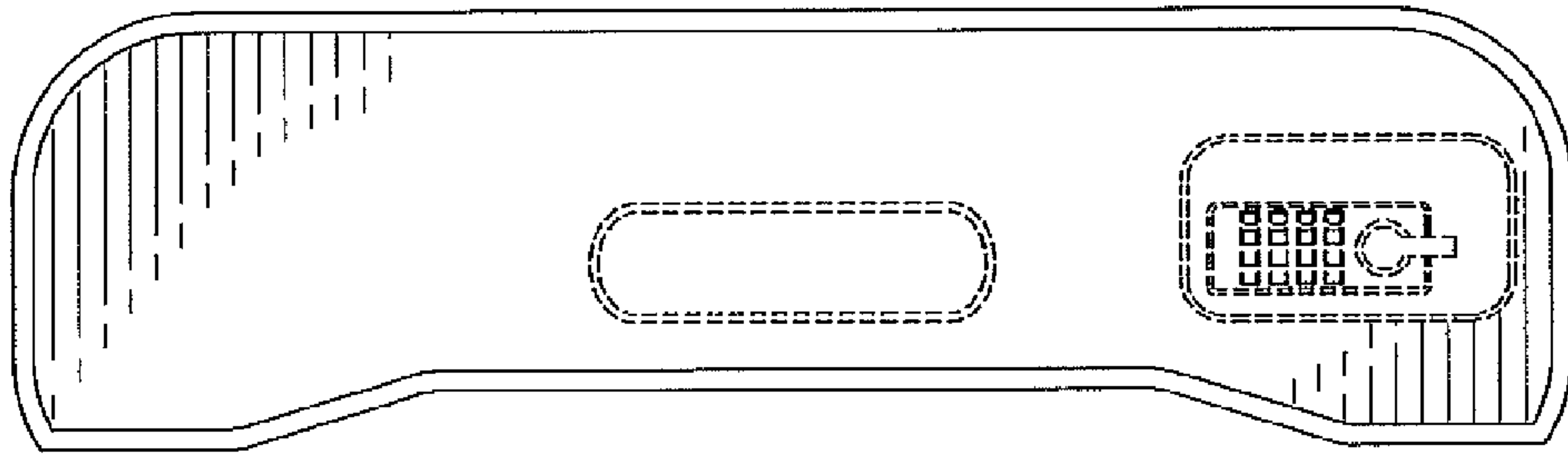


FIG. 2

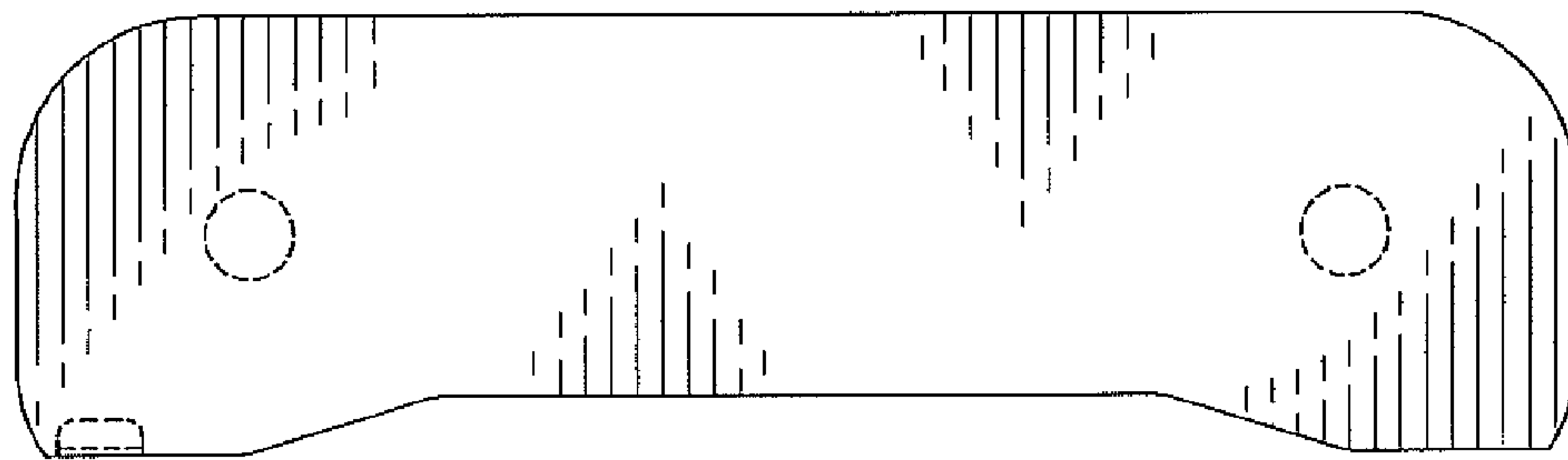


FIG. 3

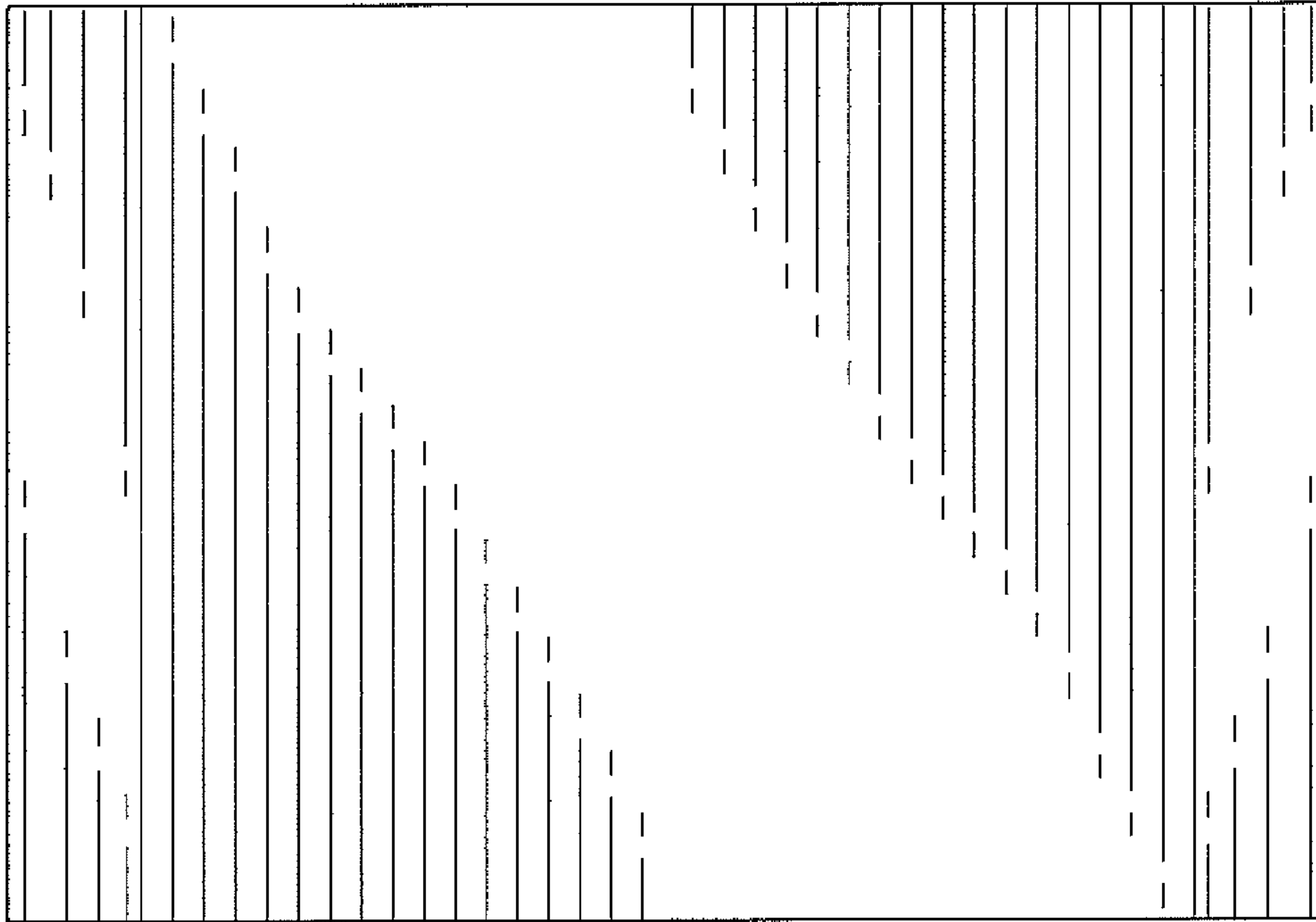


FIG. 4

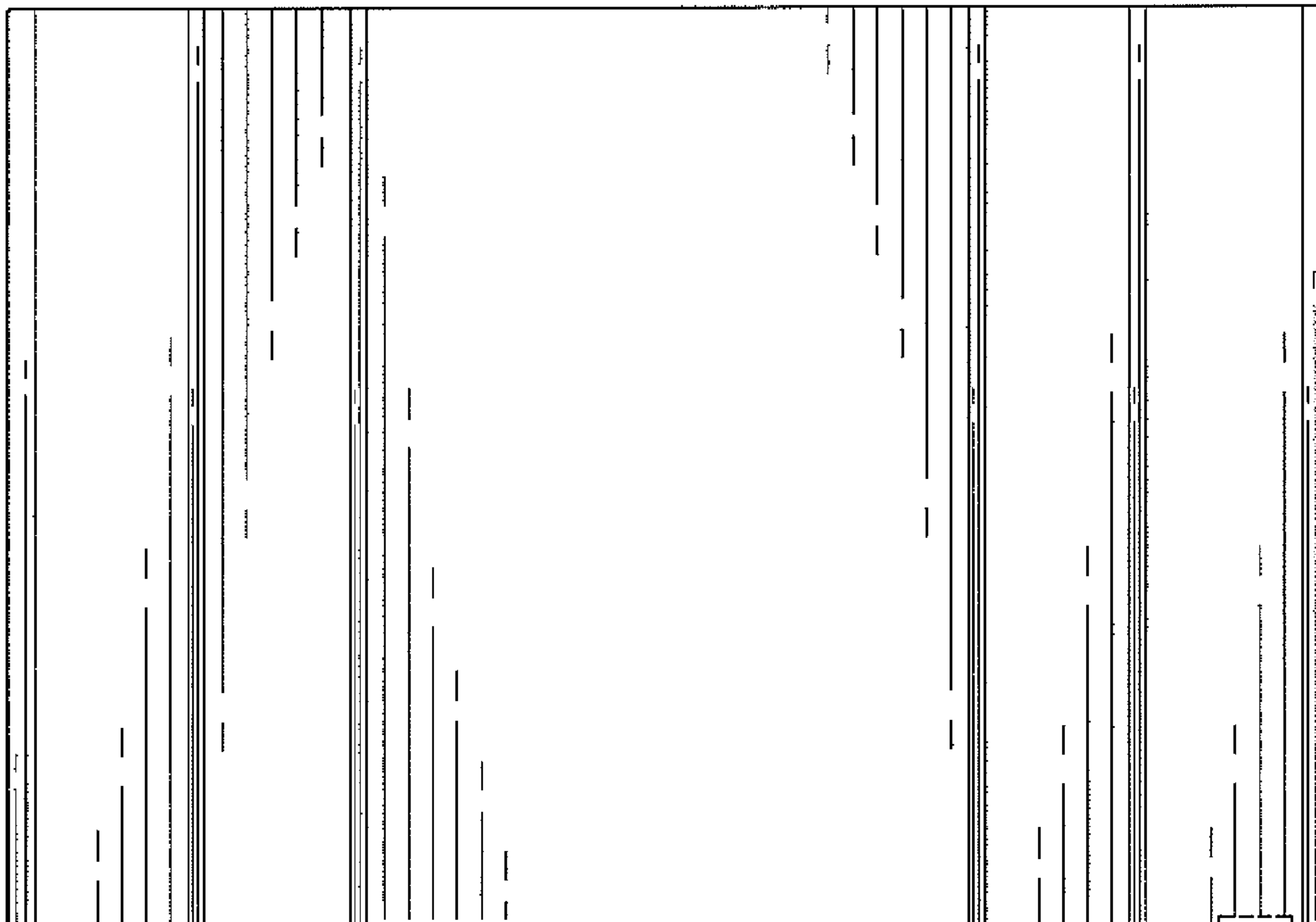


FIG. 5

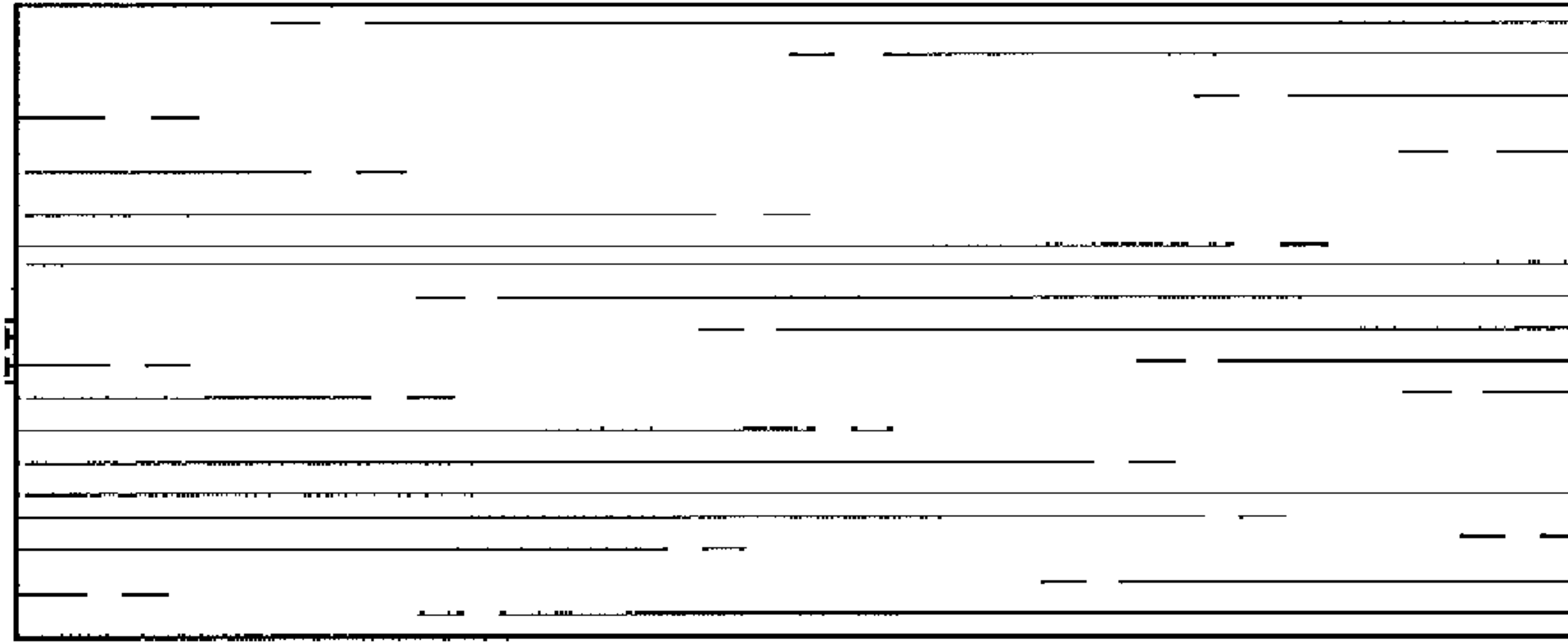


FIG. 6

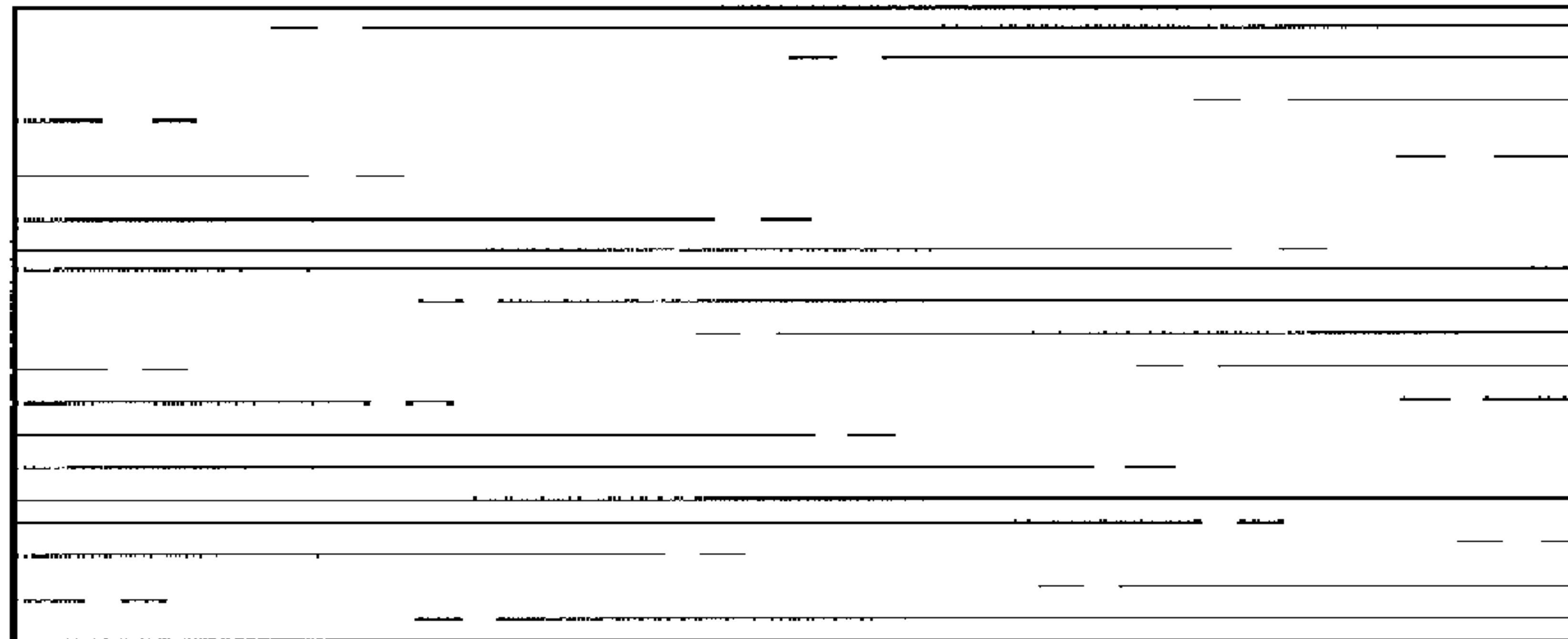


FIG. 7

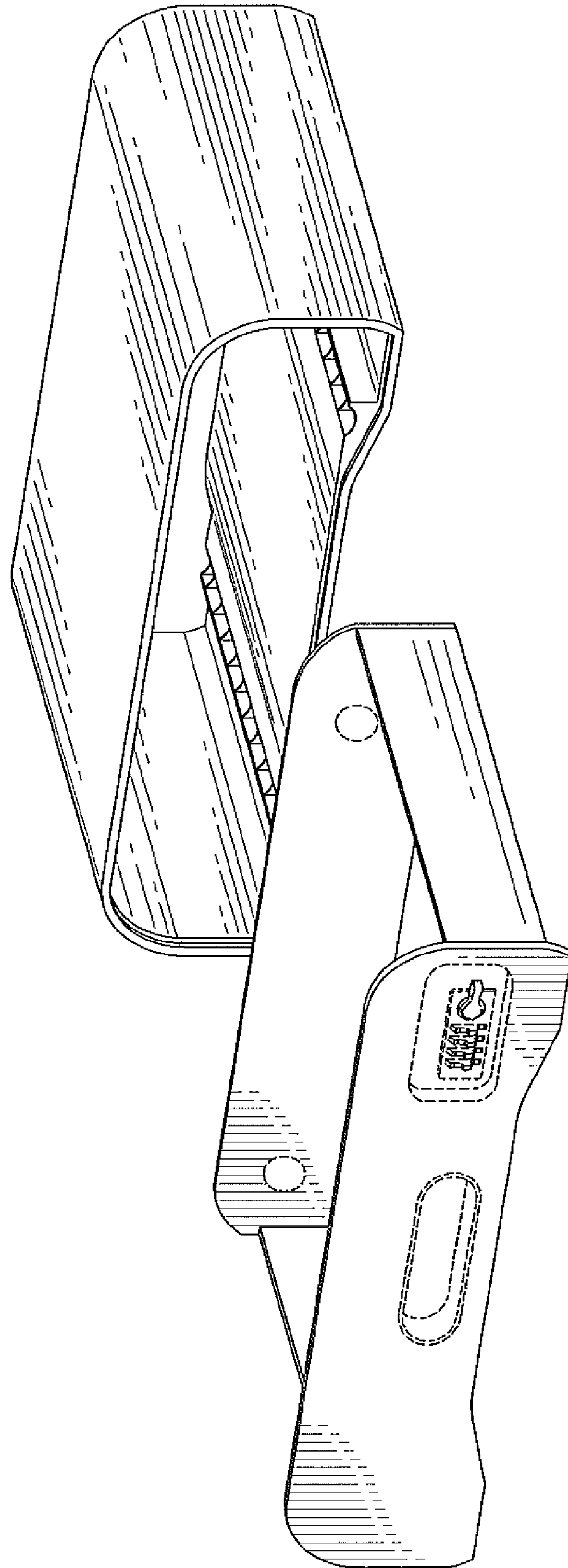


FIG. 8