



US00D624388S

(12) **United States Design Patent**
Eland

(10) **Patent No.:** **US D624,388 S**

(45) **Date of Patent:** **** Sep. 28, 2010**

(54) **SPRING HINGE**

(75) Inventor: **Raymond Eland**, Hudson, FL (US)

(73) Assignee: **Weldon Industries, Inc.**, Tampa, FL (US)

(**) Term: **14 Years**

(21) Appl. No.: **29/318,105**

(22) Filed: **May 13, 2008**

(51) **LOC (9) Cl.** **08-06**

(52) **U.S. Cl.** **D8/323**

(58) **Field of Classification Search** D8/355,
D8/381, 323-330; 4/236, 240; D23/302;
16/309, 235, 275, 244, 379, 390, 430, 241,
16/238, 245, 236, 243, 242; 49/381

See application file for complete search history.

(56) **References Cited**

U.S. PATENT DOCUMENTS

D204,872 S *	5/1966	Davis	D8/323
4,381,580 A *	5/1983	Hellstrom et al.	16/243
5,199,218 A *	4/1993	McQuade	49/381
D396,626 S *	8/1998	Francom	D8/323
D443,196 S *	6/2001	Sosa	D8/323
7,240,400 B2 *	7/2007	Bonham	16/238
D548,044 S *	8/2007	Tang	D8/343

D557,586 S *	12/2007	Shire et al.	D8/327
D588,898 S *	3/2009	Lucchini	D8/326
D588,899 S *	3/2009	Lucchini	D8/326

OTHER PUBLICATIONS

Gate Hardware Trade Catalog 2003, D&D Technologies (USA) Inc., Huntington Beach, CA, p. 21, "Tru•Close(R) Self-Closing, Multi-Adjust Hinge".

* cited by examiner

Primary Examiner—Robert M Spear

Assistant Examiner—Cynthia Underwood

(74) *Attorney, Agent, or Firm*—Fowler White Boggs P.A.; Christopher Paradies

(57) **CLAIM**

The ornamental design for a spring hinge, as shown and described.

DESCRIPTION

FIG. 1 is a side symmetrical left and right view of a spring hinge showing our new design;

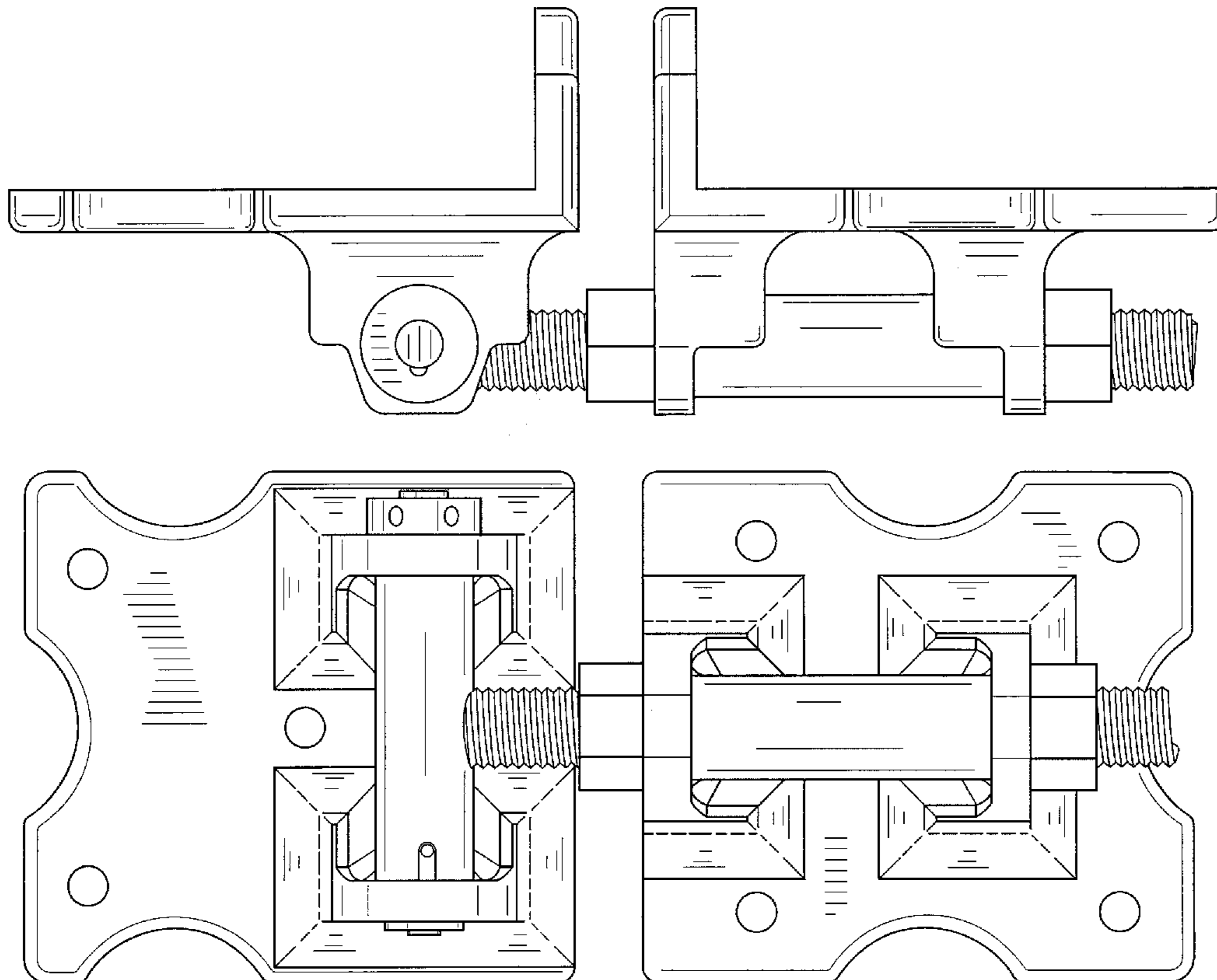
FIG. 2 is a rear end view thereof;

FIG. 3 is a front end view thereof;

FIG. 4 is a bottom view thereof; and,

FIG. 5 is a top view thereof.

1 Claim, 5 Drawing Sheets



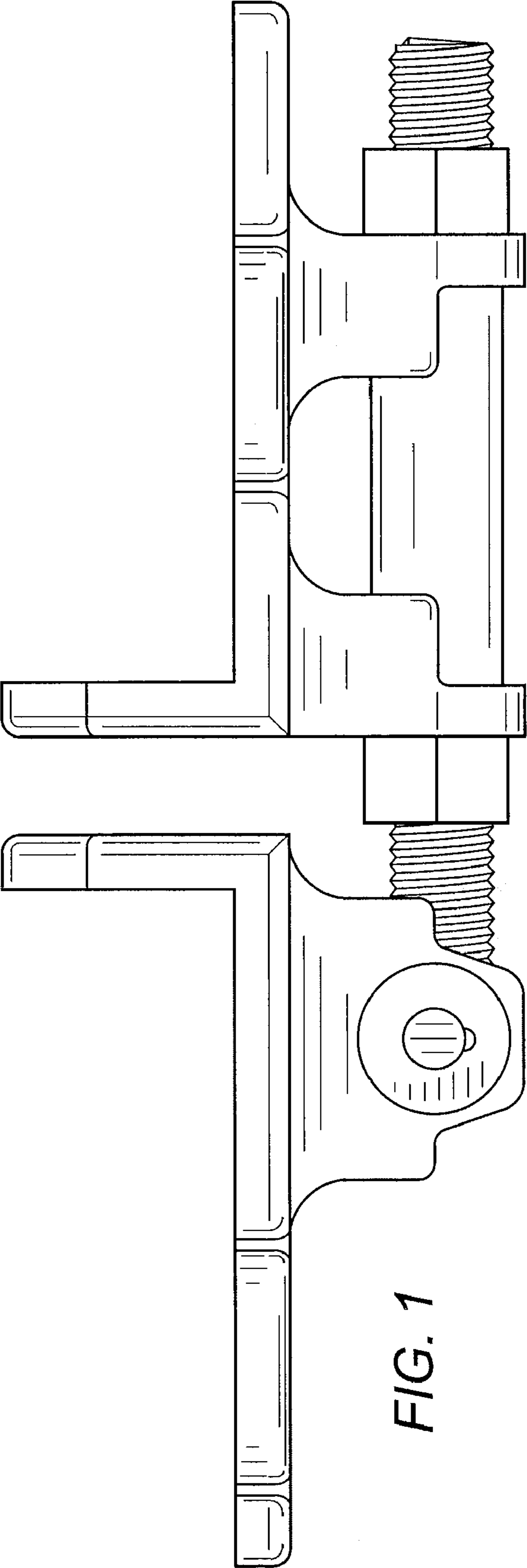


FIG. 1

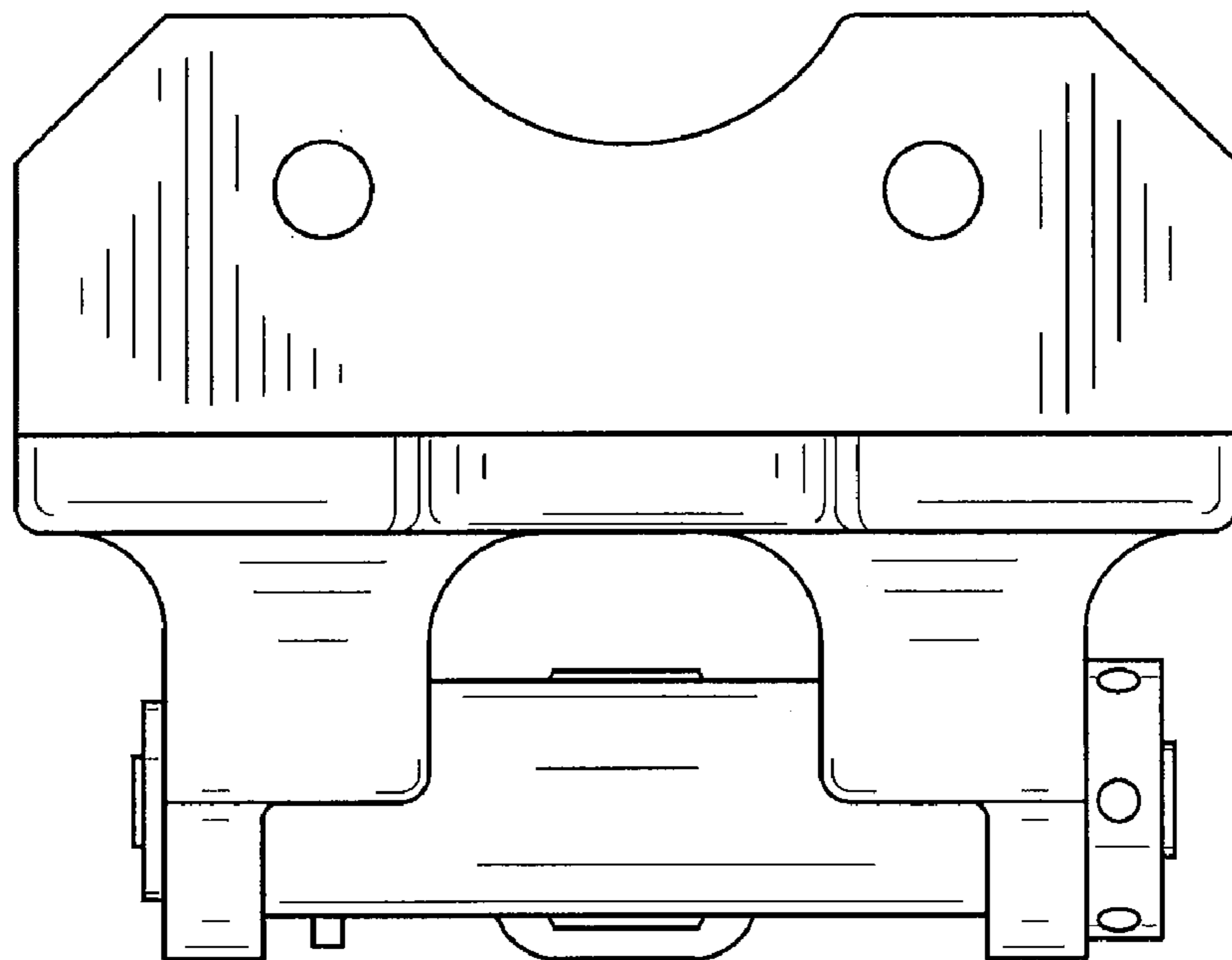


FIG. 2

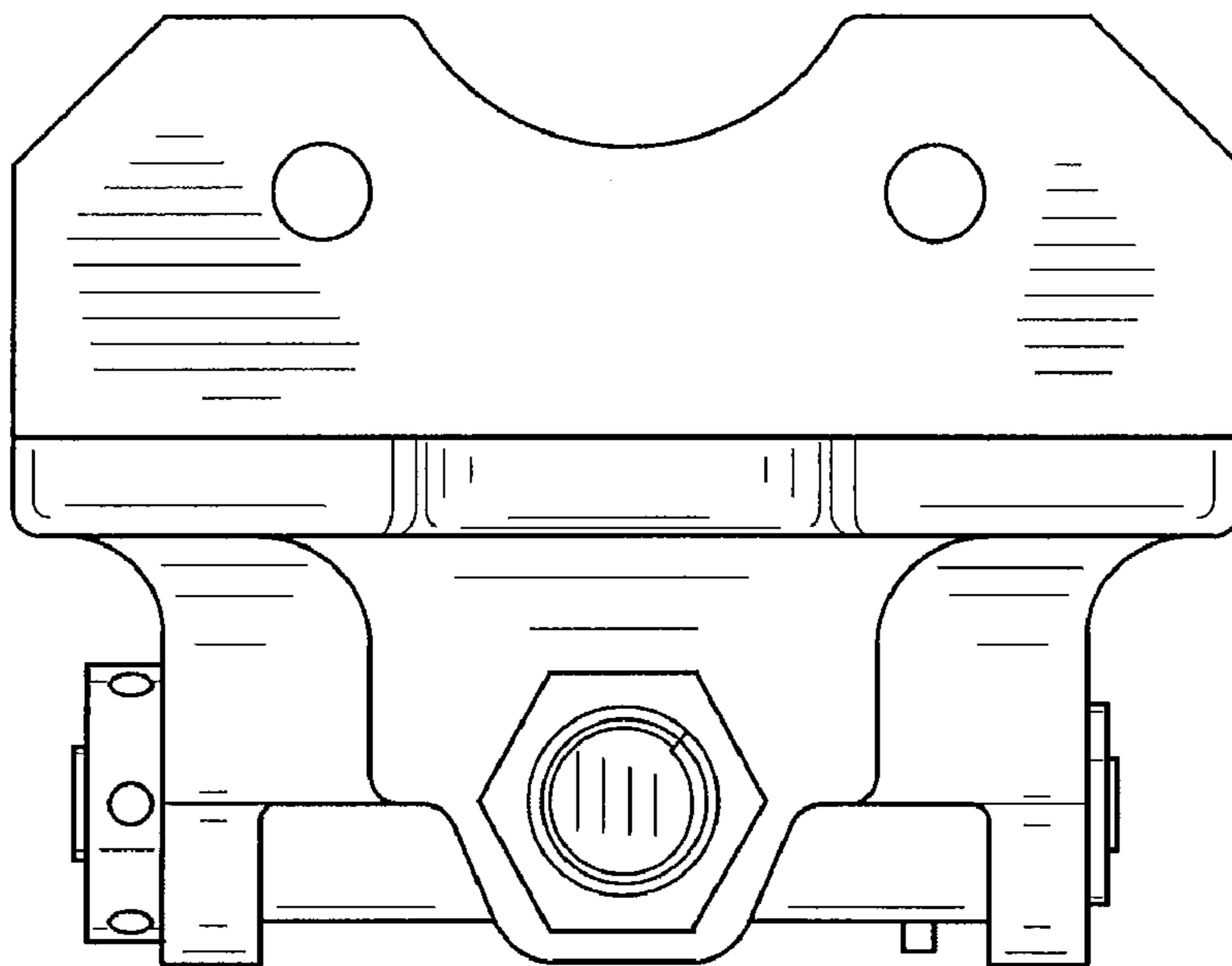


FIG. 3

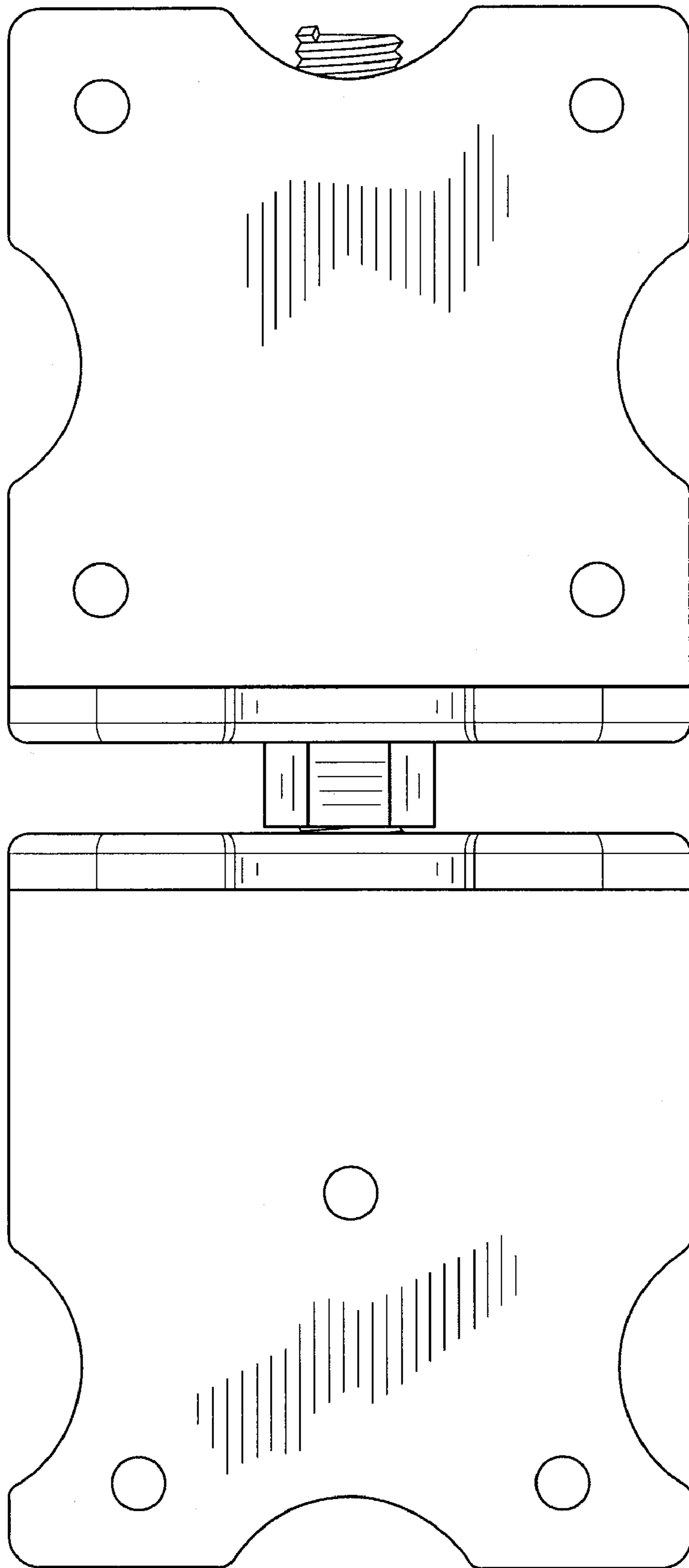


FIG. 4

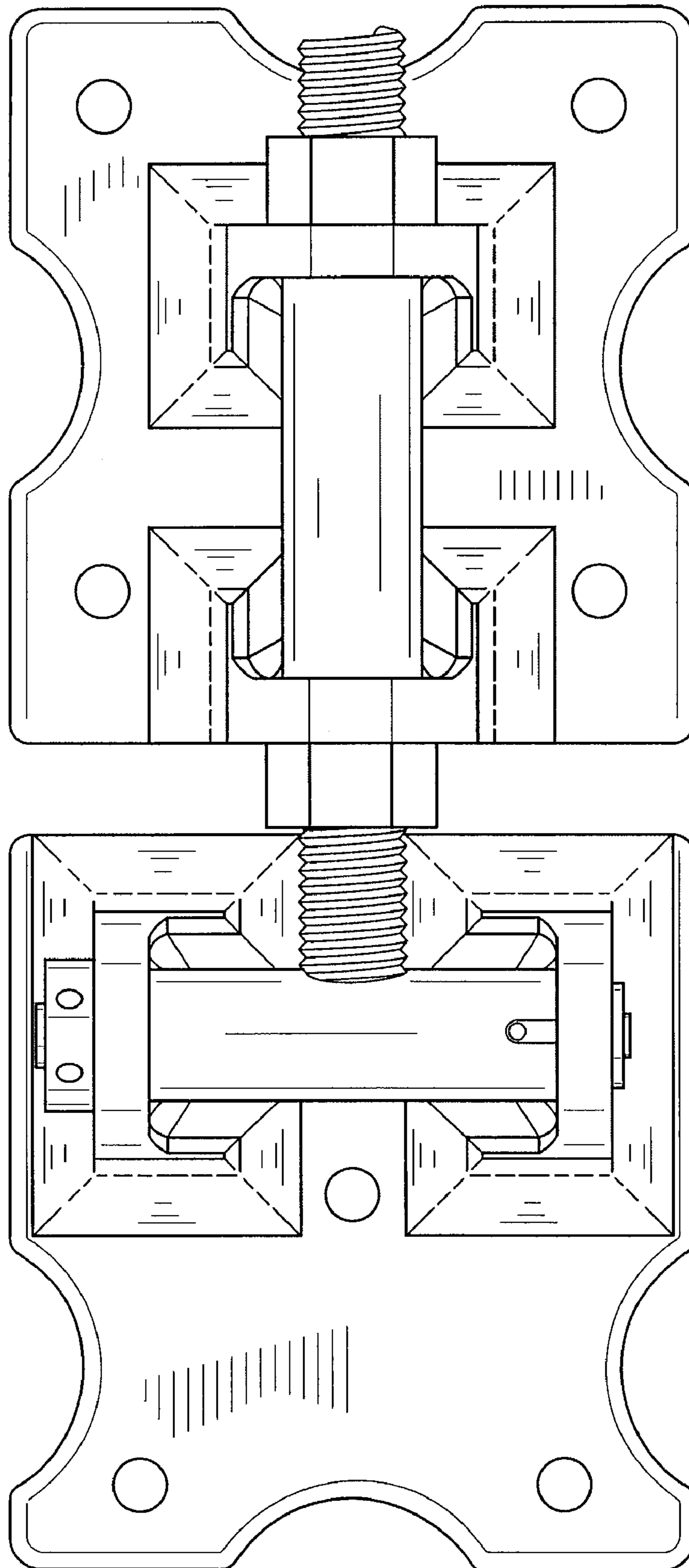


FIG. 5