



US00D624387S

(12) **United States Design Patent**
Charette

(10) **Patent No.:** **US D624,387 S**

(45) **Date of Patent:** **** Sep. 28, 2010**

(54) **HINGED REINFORCEMENT FOR A FENCE FRAME**

(76) Inventor: **Pierre Charette**, 4521 rue des Carouges,
Notre-Dame-du-Mont Carmel, Quebec
(CA) G0X 3J0

(**) Term: **14 Years**

(21) Appl. No.: **29/309,191**

(22) Filed: **Jul. 7, 2008**

Related U.S. Application Data

(63) Continuation-in-part of application No. 29/280,889,
filed on Jun. 8, 2007, now abandoned.

(51) **LOC (9) Cl.** **08-06**

(52) **U.S. Cl.** **D8/323**

(58) **Field of Classification Search** D8/323-329,
D8/354, 356, 371; 16/221, 234-237, 239-241,
16/245-246, 249, 254, 261, 262, 265, 272,
16/277, 307, 309, 316, 319, 327-330, 335,
16/339, 342, 379, 381-389, DIG. 13, DIG. 43;
248/200, 211.11, 300, 309.1, 317
See application file for complete search history.

(56) **References Cited**

U.S. PATENT DOCUMENTS

- 115,851 A * 6/1871 Hawley 16/389
- 189,866 A * 4/1877 Long 16/389
- D47,353 S * 5/1915 Wood D8/329
- 1,491,708 A * 4/1924 Kummerer 49/388
- D187,262 S * 2/1960 Anderson D8/328
- D198,670 S * 7/1964 Anderson D8/327
- D293,764 S * 1/1988 Hansen D8/327
- D410,835 S * 6/1999 Cosgrove D8/354

- D429,624 S * 8/2000 Johnson D8/354
- D479,116 S * 9/2003 Gross D8/349
- D497,533 S * 10/2004 Wegman D8/323
- 2005/0246863 A1 * 11/2005 Chesworth et al. 16/221
- 2006/0208146 A1 * 9/2006 Florent 248/339

FOREIGN PATENT DOCUMENTS

CA 83050 * 2/1998

* cited by examiner

Primary Examiner—Robert M Spear

Assistant Examiner—Karen Acker

(74) *Attorney, Agent, or Firm*—Welsh Flaxman & Gitler LLC

(57) **CLAIM**

The ornamental design for a hinged reinforcement for a fence frame, as shown, and described.

DESCRIPTION

FIG. 1 is a perspective view of the hinged reinforcement for a fence frame;

FIG. 2 is a top view of the hinged reinforcement for a fence frame;

FIG. 3 is a bottom view of the hinged reinforcement for a fence frame;

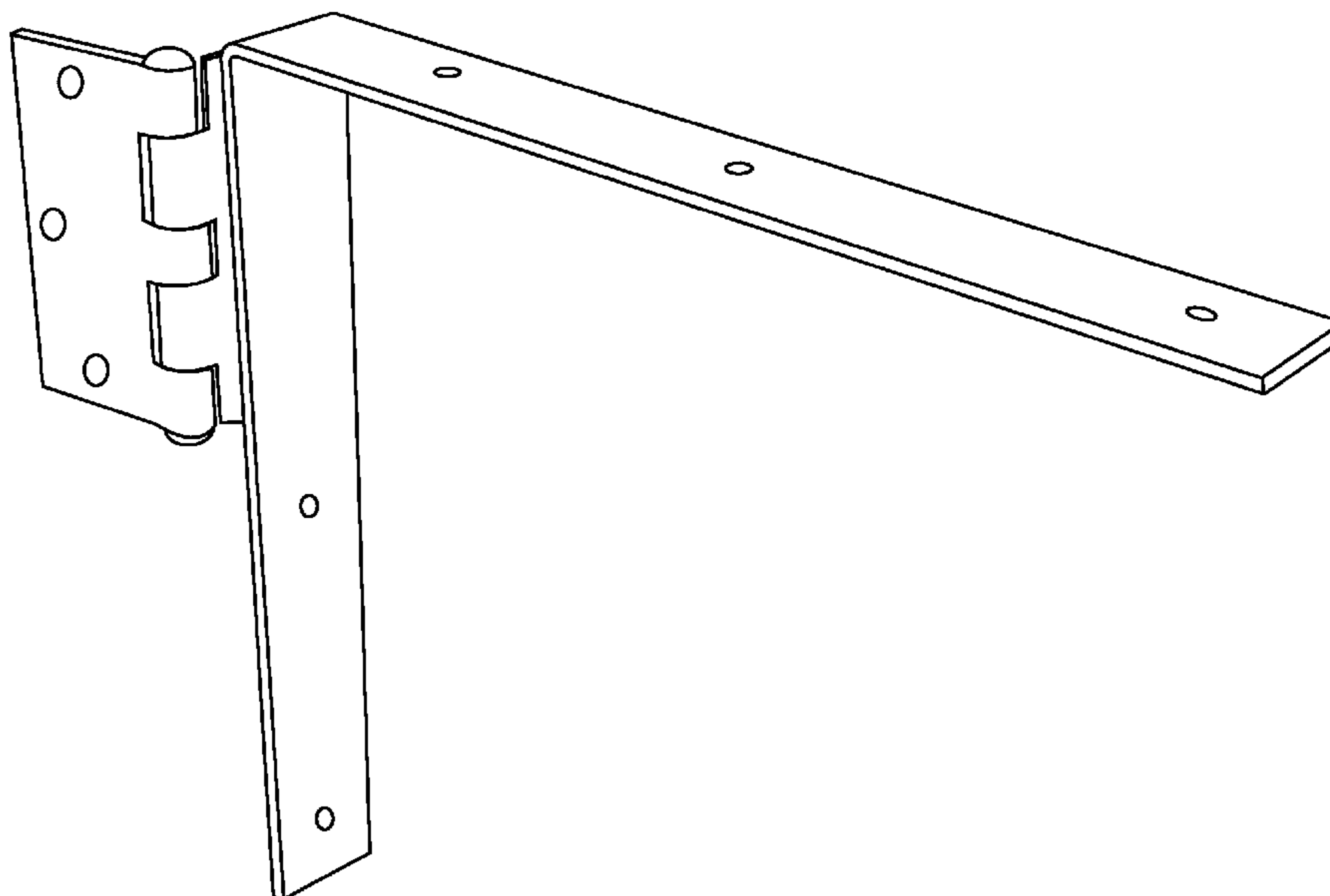
FIG. 4 is a left side view of the hinged reinforcement for a fence frame;

FIG. 5 is a right side view of the hinged reinforcement for a fence frame;

FIG. 6 is a front view of the hinged reinforcement for a fence frame; and,

FIG. 7 is a back view of the hinged reinforcement for a fence frame.

1 Claim, 7 Drawing Sheets



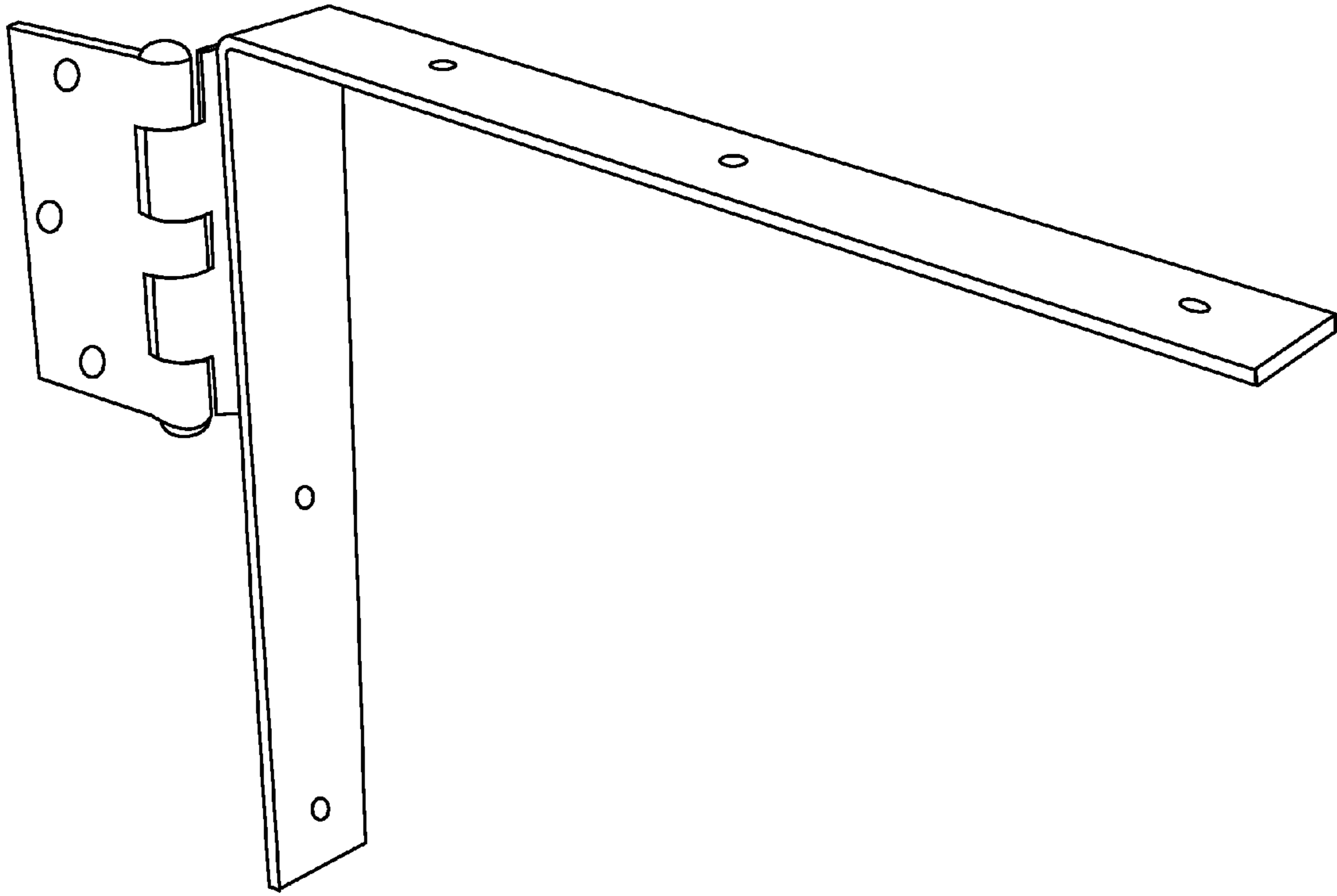


FIG. 1

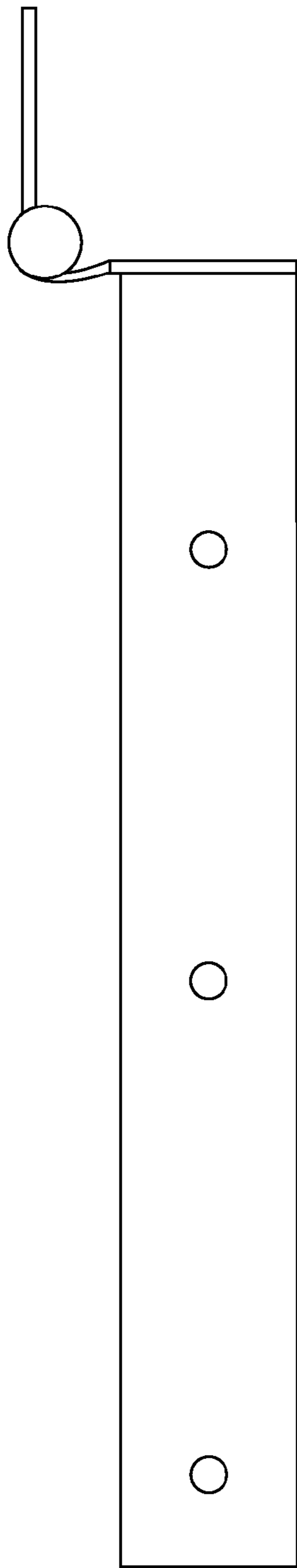


FIG. 2

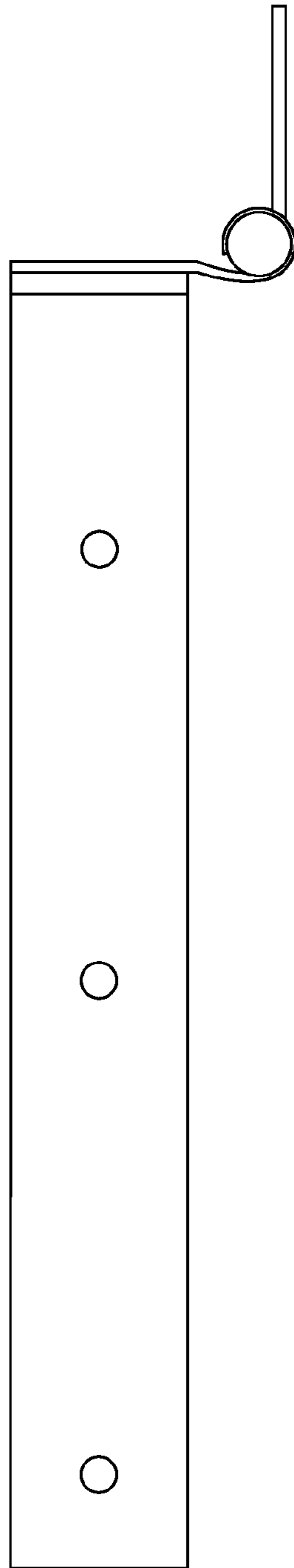


FIG. 3

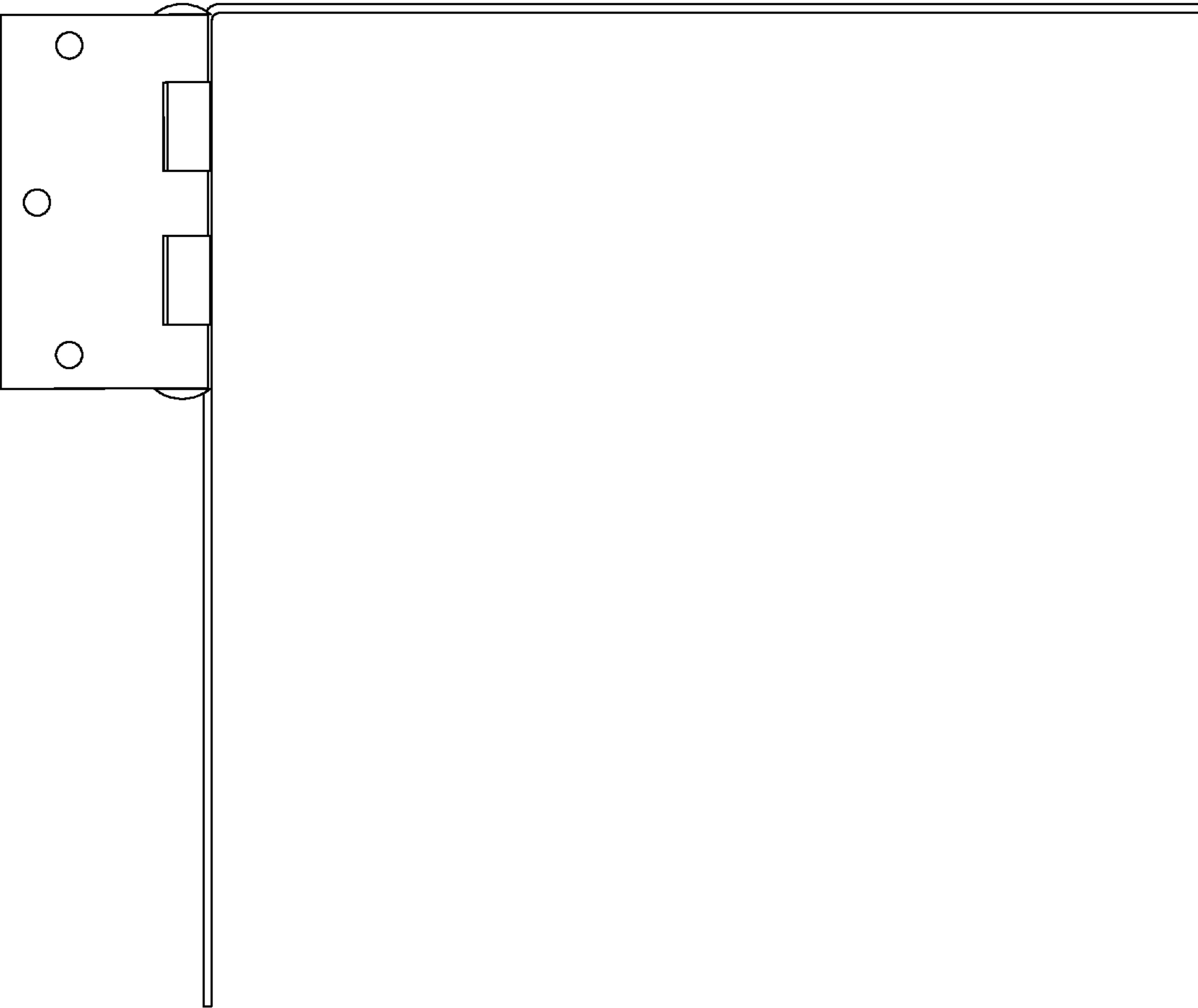


FIG. 4

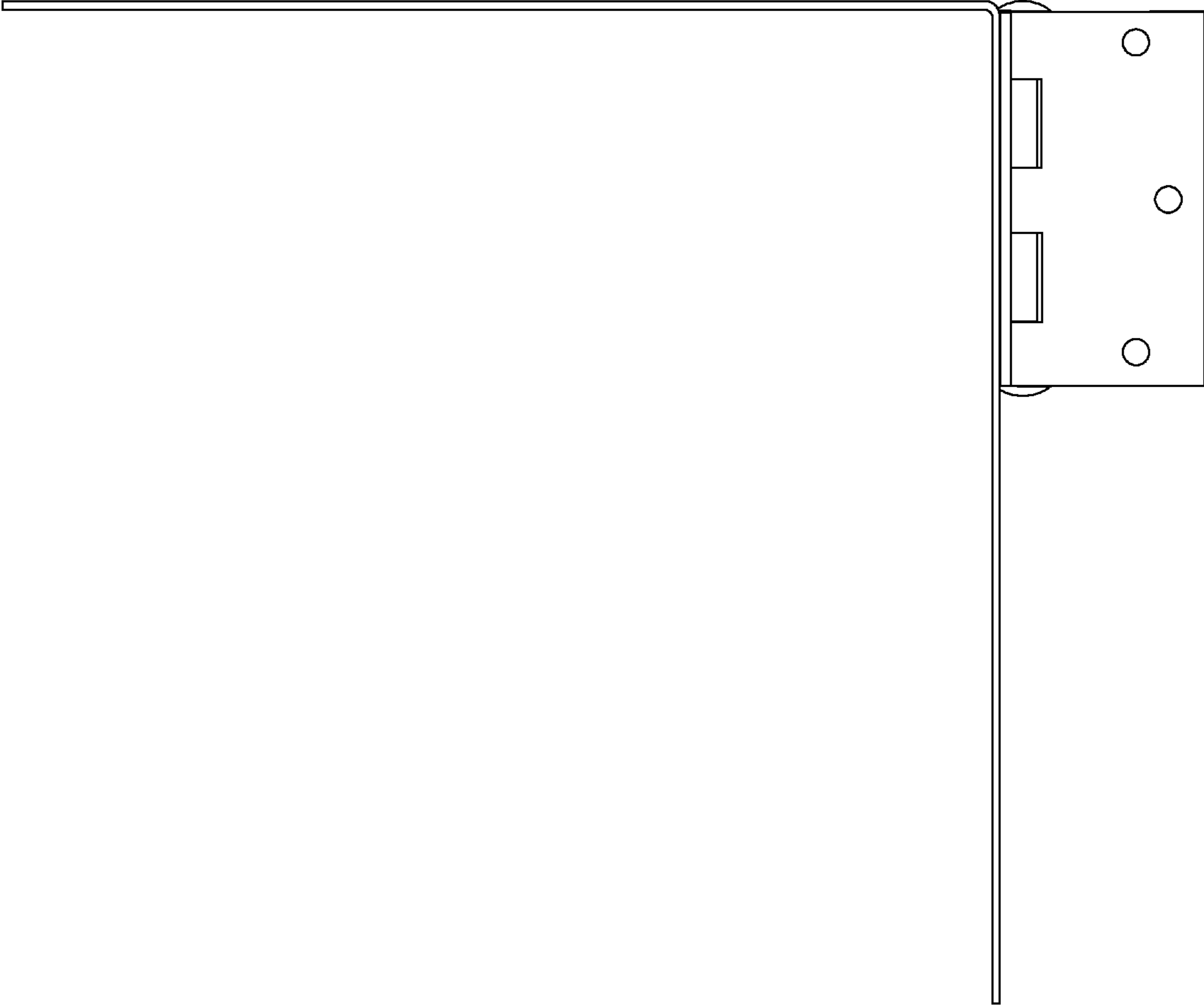


FIG. 5

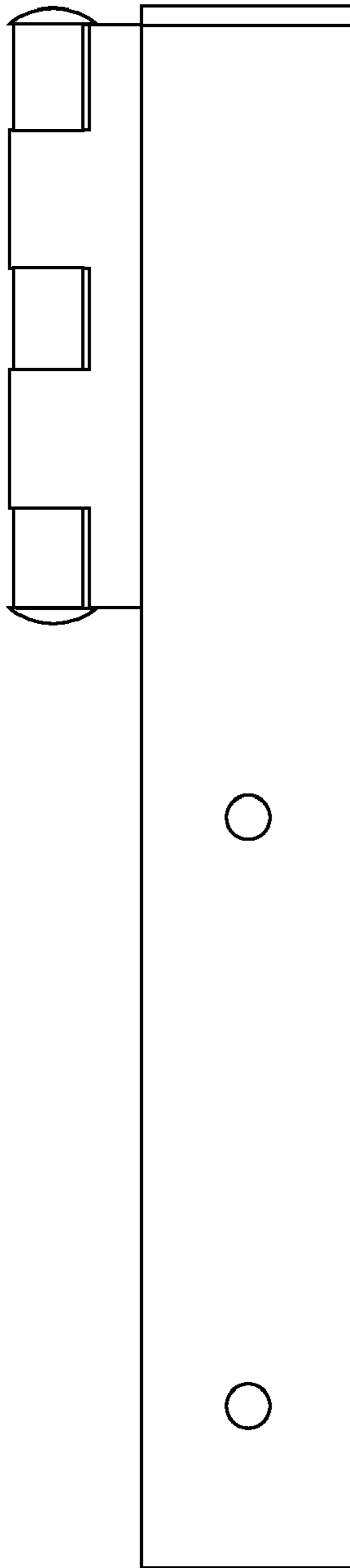


FIG. 6

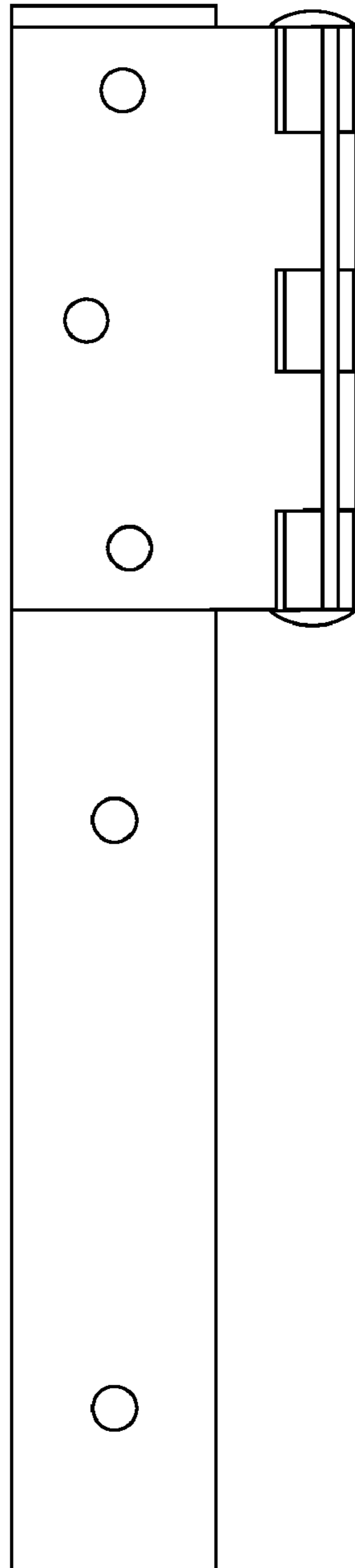


FIG. 7