



US00D624386S

(12) **United States Design Patent**
van Deursen

(10) **Patent No.:** **US D624,386 S**
(45) **Date of Patent:** **** Sep. 28, 2010**

(54) **RETRACTABLE BLADE KNIFE**
(75) Inventor: **Gary E. van Deursen**, Essex, CT (US)
(73) Assignee: **American Safety Razor**, Verona, VA (US)
(**) Term: **14 Years**

5,613,300 A 3/1997 Schmidt
D399,720 S 10/1998 Owens et al.
D408,704 S 4/1999 Gilbert
5,906,050 A 5/1999 Gilbert
5,966,816 A 10/1999 Roberson

(21) Appl. No.: **29/332,293**

(Continued)

(22) Filed: **Feb. 12, 2009**

FOREIGN PATENT DOCUMENTS

(51) **LOC (9) Cl.** **08-03**
(52) **U.S. Cl.** **D8/99**
(58) **Field of Classification Search** D8/98,
D8/99, 105, 107; 30/2, 161, 162, 320, 329,
30/337

CN 2678839 2/2005

(Continued)

See application file for complete search history.

Primary Examiner—Philip S Hyder
Assistant Examiner—Roselynn Cody
(74) *Attorney, Agent, or Firm*—McDermott Will & Emery LLP

(56) **References Cited**

U.S. PATENT DOCUMENTS

3,577,637 A 5/1971 Braginetz
3,845,554 A 11/1974 Joanis et al.
D235,414 S 6/1975 Miller
3,927,473 A 12/1975 Braginetz
3,943,627 A 3/1976 Stanley, Jr.
4,005,525 A 2/1977 Gringer
D245,570 S * 8/1977 West et al. D8/99
4,109,380 A 8/1978 Anderson
4,292,738 A 10/1981 Osada
4,419,029 A 12/1983 Wenzel
4,575,940 A 3/1986 Wenzel
4,662,070 A * 5/1987 Reddig 30/294
4,761,882 A 8/1988 Silverstein
4,936,014 A 6/1990 Shaanan et al.
D310,475 S 9/1990 Weimann
D311,854 S * 11/1990 Wilson et al. D8/98
D348,819 S 7/1994 Craig
5,386,632 A 2/1995 Schmidt
5,495,670 A 3/1996 Quinn
5,561,906 A 10/1996 Desmarais
5,585,578 A 12/1996 Shimotori
5,603,162 A 2/1997 Chen

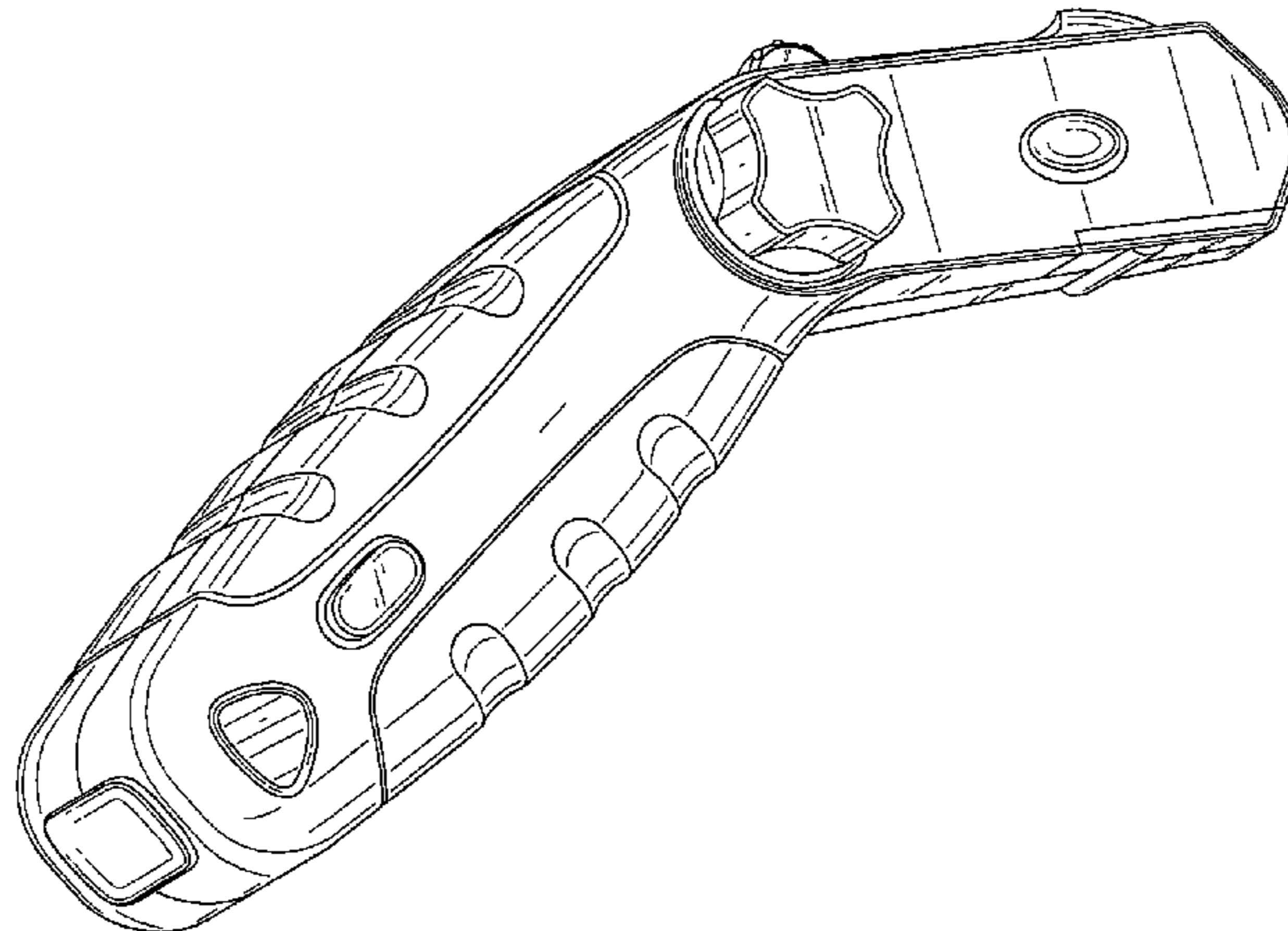
(57) **CLAIM**

The ornamental design for a retractable blade knife, as shown and described.

DESCRIPTION

FIG. 1 is a side perspective view of the retractable blade knife, showing the new design;
FIG. 2 is a front view of the retractable blade knife;
FIG. 3 is a rear view of the retractable blade knife;
FIG. 4 is a side view of the retractable blade knife;
FIG. 5 is another side view of the retractable blade knife;
FIG. 6 is a top view of the retractable blade knife; and,
FIG. 7 is a bottom view of the retractable blade knife.

1 Claim, 5 Drawing Sheets



US D624,386 S

Page 2

U.S. PATENT DOCUMENTS

D419,850 S 2/2000 Hsu
6,026,575 A 2/2000 Wonderley
6,161,290 A 12/2000 Takamasa
6,192,589 B1 2/2001 Martone et al.
D440,857 S 4/2001 Carroll
6,223,439 B1 5/2001 Wonderley
6,314,646 B1 11/2001 Schmidt
6,317,985 B1 11/2001 Huang
D453,461 S 2/2002 Chen
D453,673 S 2/2002 Chen
D454,042 S 3/2002 Hsu
6,357,120 B1 3/2002 Khachatoorian et al.
6,415,514 B1 7/2002 Chun
6,532,670 B1 3/2003 Berns
6,574,872 B2 6/2003 Roberts et al.
6,678,958 B1 1/2004 Budrow
6,746,194 B2 6/2004 Boe
6,802,126 B2 10/2004 Huang
6,845,561 B2 1/2005 Timson
6,865,816 B1 3/2005 Zajdel
6,886,257 B2 5/2005 Chih
D520,327 S 5/2006 Gist et al.
7,055,407 B2 6/2006 Gringer et al.

7,107,688 B1 9/2006 Critelli et al.
7,186,067 B2 3/2007 Leblanc
D551,933 S 10/2007 Guo
7,305,770 B2 12/2007 Critelli et al.
D558,555 S * 1/2008 Huang D8/99
7,316,070 B2 1/2008 Green
D563,755 S 3/2008 Wu
D564,328 S 3/2008 Smith
7,389,587 B2 6/2008 Di Bitonto et al.
D592,032 S * 5/2009 Wu D8/98
2003/0037444 A1 2/2003 Chunn
2007/0256310 A1 11/2007 Pool et al.
2008/0178393 A1 7/2008 Kinskey et al.
2008/0271853 A1 11/2008 Steele et al.

FOREIGN PATENT DOCUMENTS

DE 36 00 318 A1 7/1987
EP 0 196 437 A2 10/1986
EP 0 196 437 B1 10/1986
EP 1 077 117 A2 2/2001
WO WO 00/06346 2/2000
WO WO 2007/131039 A1 11/2007
WO WO 2008/150608 A2 12/2008

* cited by examiner

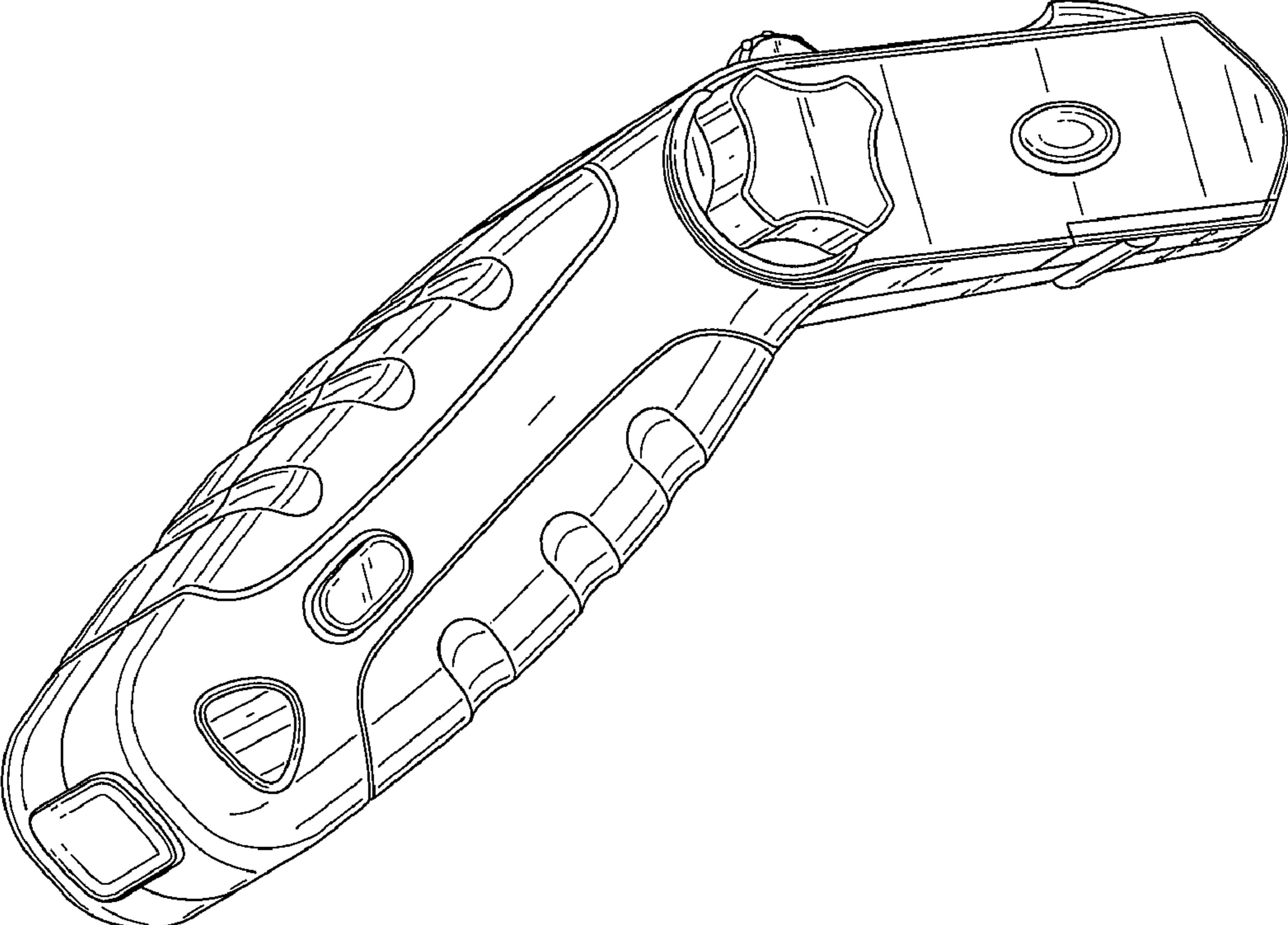


FIG. 1

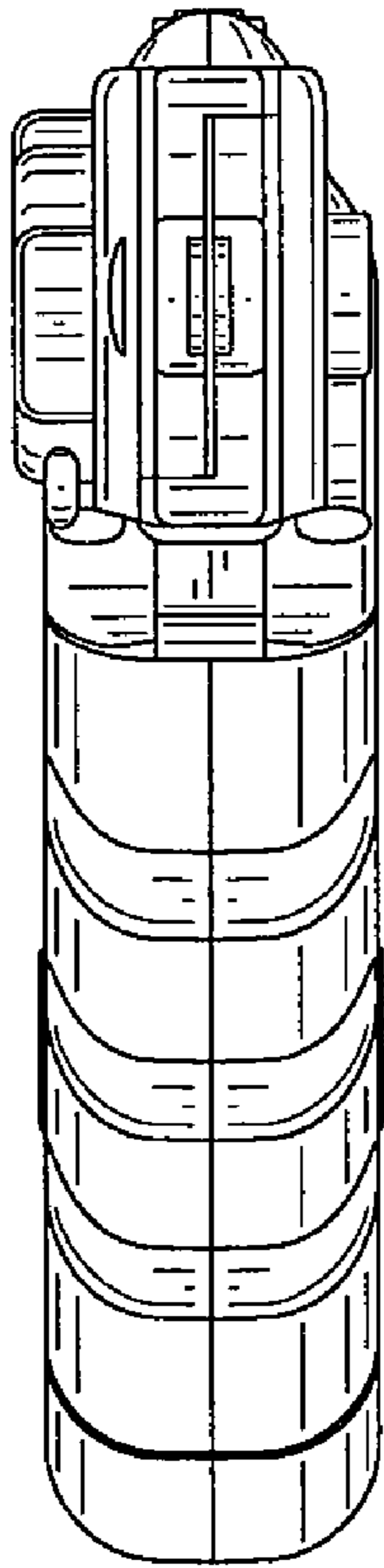


FIG. 2

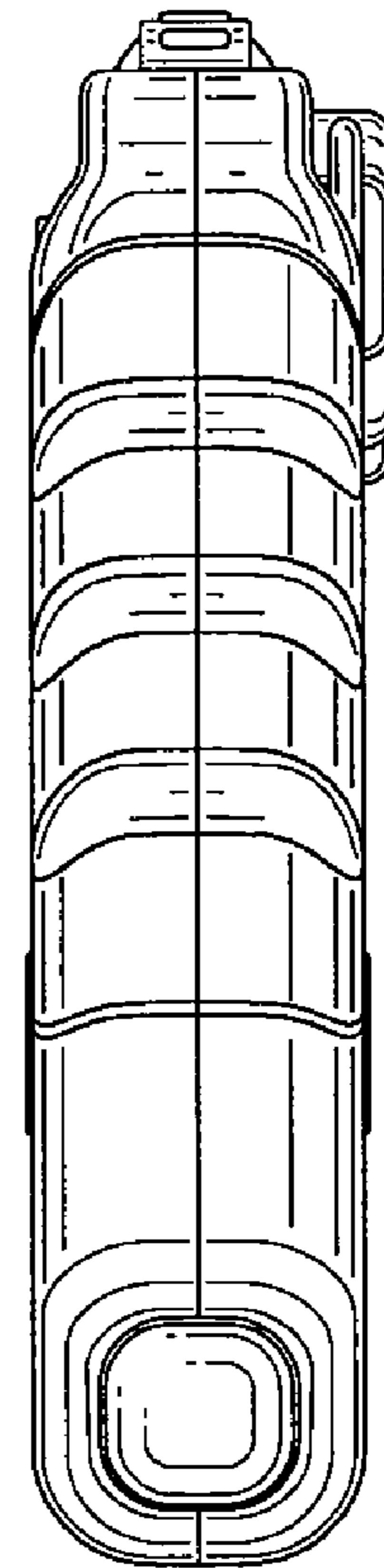


FIG. 3

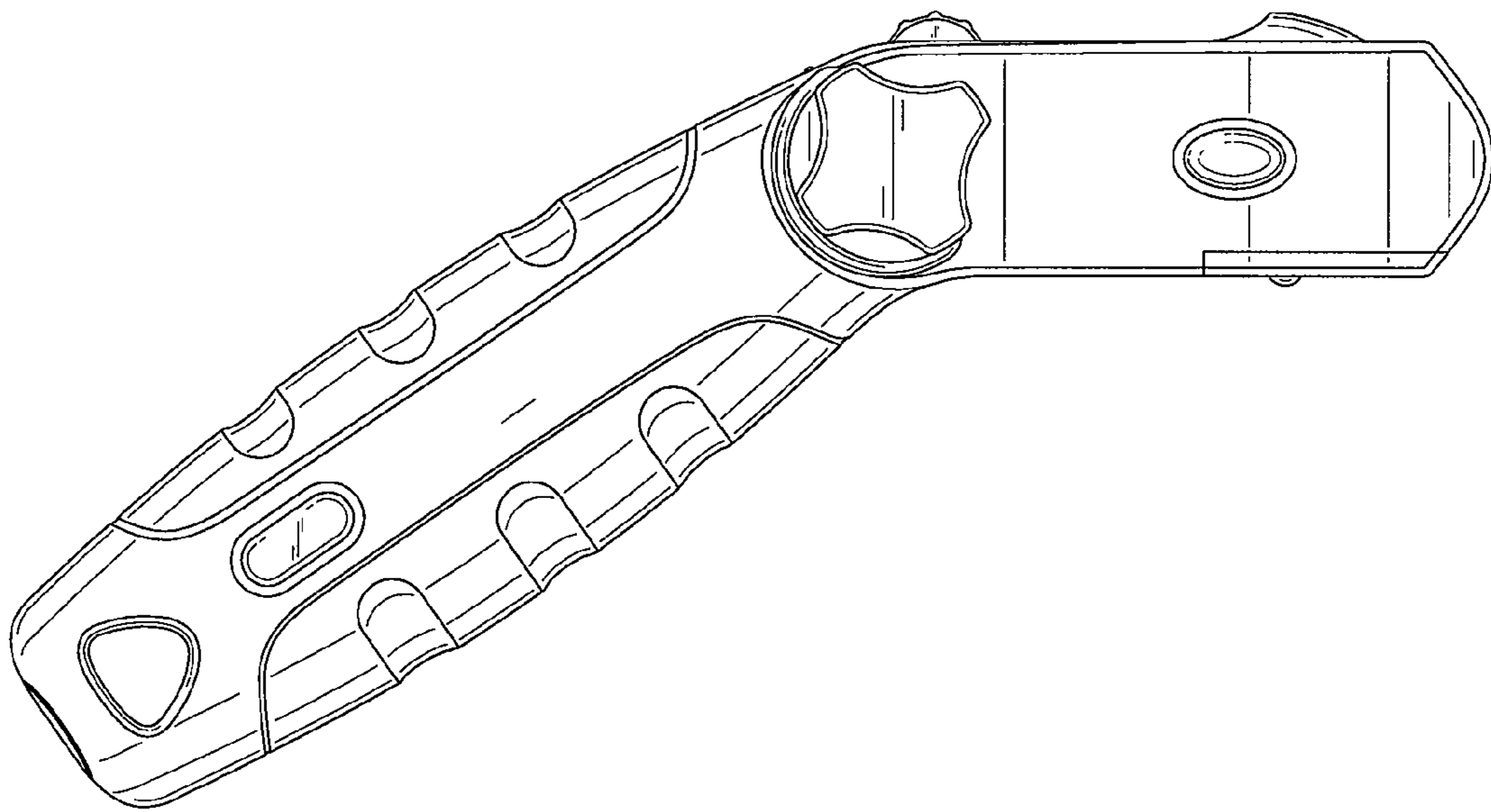


FIG. 4

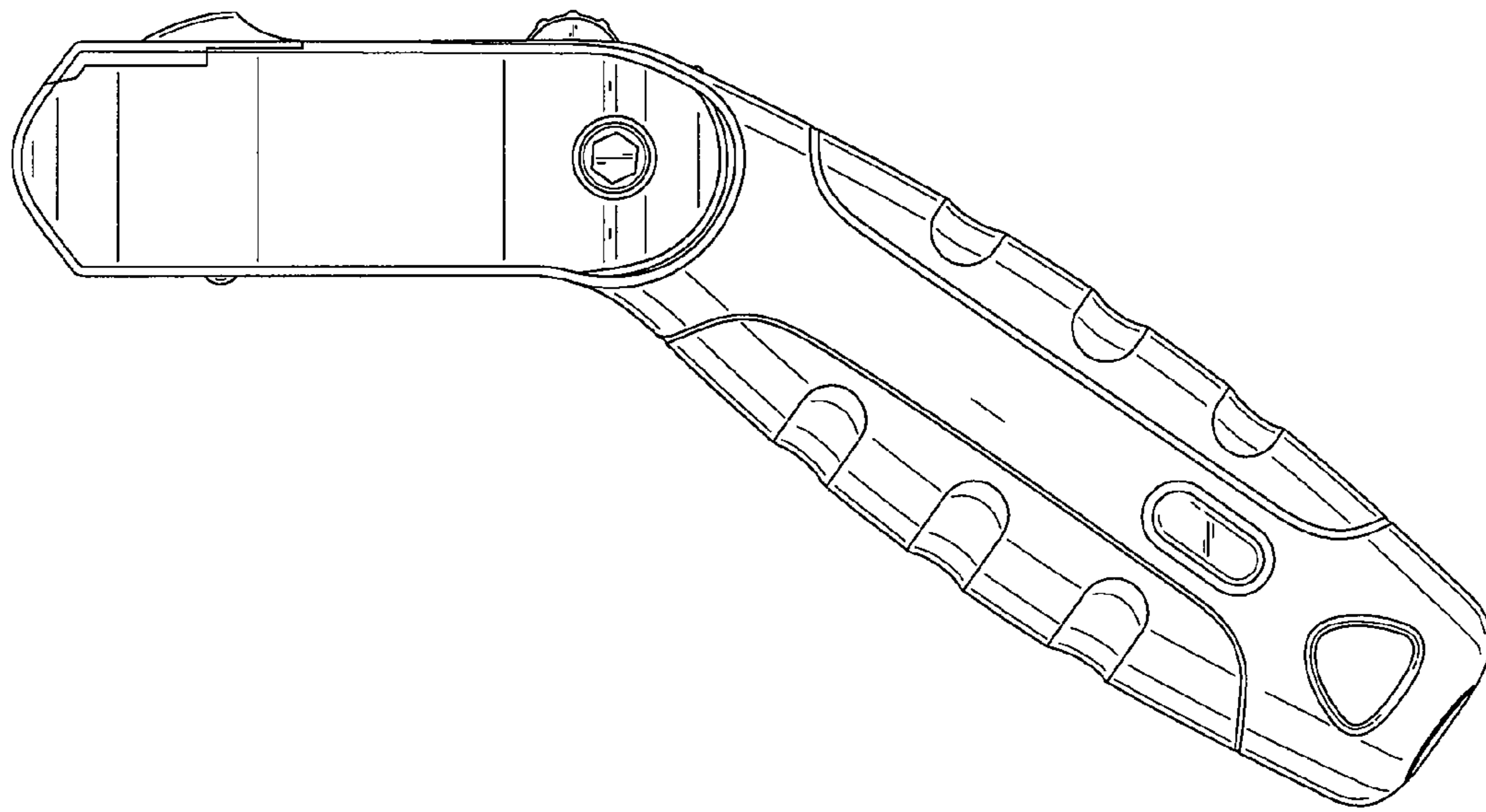


FIG. 5

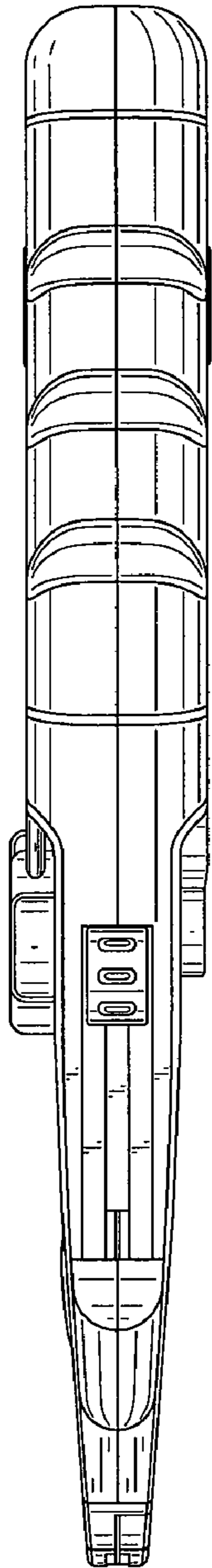


FIG. 6

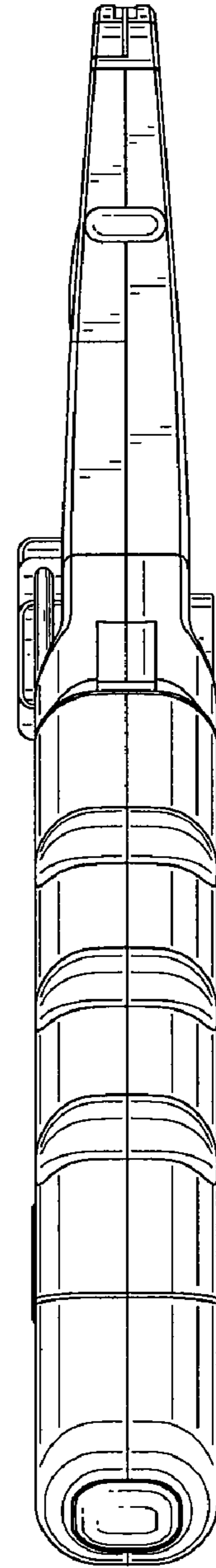


FIG. 7