



US00D624384S

(12) **United States Design Patent**  
**Su**

(10) **Patent No.:** **US D624,384 S**

(45) **Date of Patent:** **\*\* Sep. 28, 2010**

(54) **PRYING TOOL WITH POSITIONABLE HANDLE**

(76) **Inventor:** **Cheng-Wei Su**, 13F., No. 403, Taichung Rd., East District, Taichung City 40146 (TW)

(\*\*) **Term:** **14 Years**

(21) **Appl. No.:** **29/336,826**

(22) **Filed:** **May 10, 2009**

(51) **LOC (9) Cl.** ..... **08-05**

(52) **U.S. Cl.** ..... **D8/89**

(58) **Field of Classification Search** ..... D8/26,  
D8/81, 88-89, 105; 7/146-147, 166; 254/18-19,  
254/21-22, 25, 121, 131

See application file for complete search history.

(56) **References Cited**

**U.S. PATENT DOCUMENTS**

458,337	A *	8/1891	Dodge et al.	81/176.1
1,375,751	A *	4/1921	Grannis	254/25
1,554,663	A *	9/1925	Squires	254/19
2,189,480	A *	2/1940	Tessier	254/131
2,379,387	A *	6/1945	Tessier	254/131
2,446,410	A *	8/1948	Couse	7/166
2,921,773	A *	1/1960	Hoelzer	254/129
3,049,337	A *	8/1962	Griggs	254/131

D337,492	S *	7/1993	Ryan et al.	D8/21
7,025,331	B2 *	4/2006	Whelan	254/25
7,278,626	B1 *	10/2007	Chang	254/25
7,520,199	B2 *	4/2009	Stawarski	81/177.8
D593,835	S *	6/2009	Good	D8/89
2009/0307847	A1 *	12/2009	Liou	7/166

\* cited by examiner

*Primary Examiner*—Philip S Hyder

*Assistant Examiner*—Roselynn Cody

(74) *Attorney, Agent, or Firm*—Banger Shia

(57) **CLAIM**

The ornamental design for a prying tool with positionable handle, as shown and described.

**DESCRIPTION**

FIG. 1 is a perspective view of a prying tool with positionable handle showing my new design;

FIG. 2 is a front elevational view thereof;

FIG. 3 is a rear elevational view thereof;

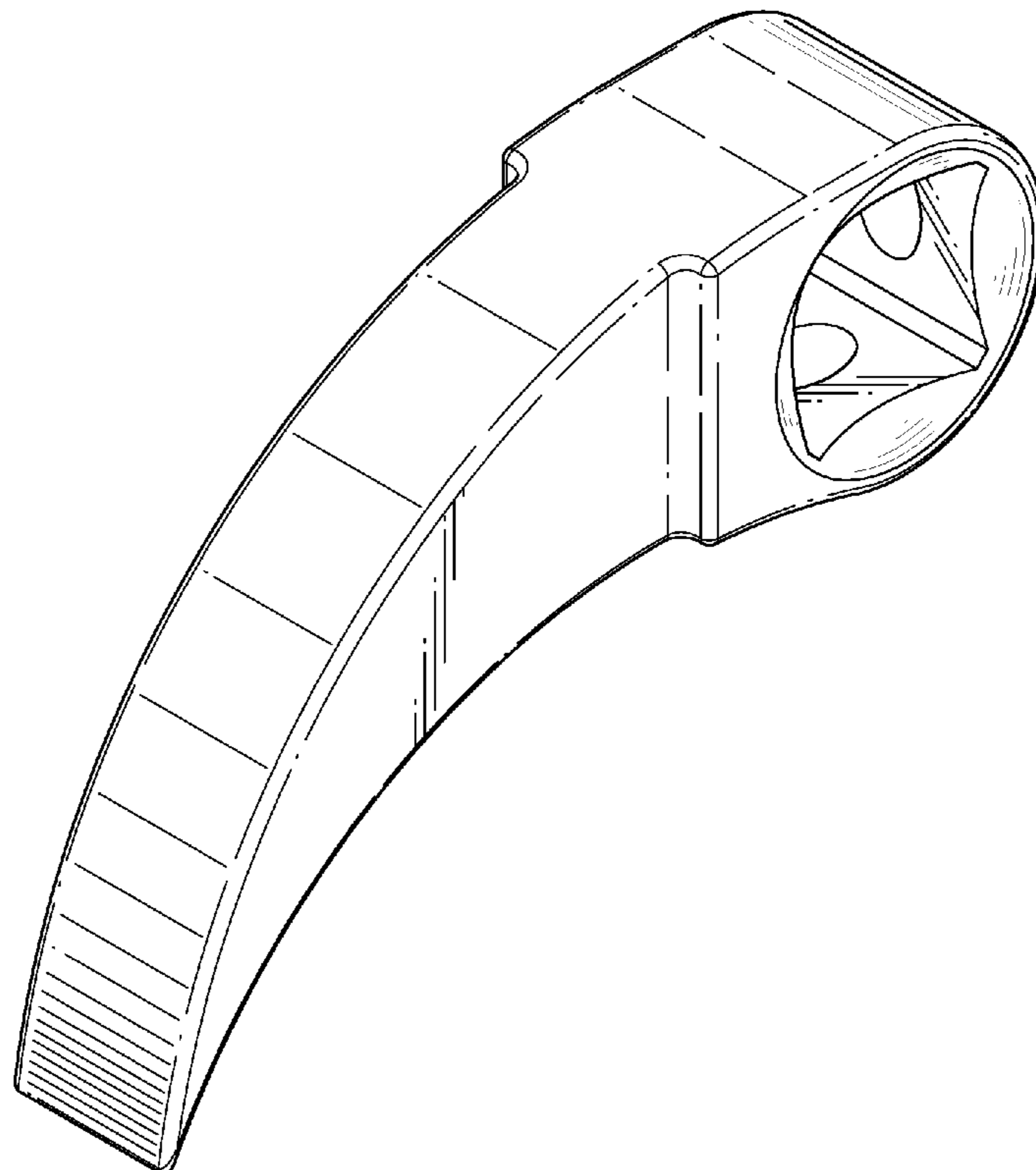
FIG. 4 is a left side elevational view thereof;

FIG. 5 is a right side elevational view thereof;

FIG. 6 is a top plan view thereof; and,

FIG. 7 is a bottom plan view thereof.

**1 Claim, 7 Drawing Sheets**



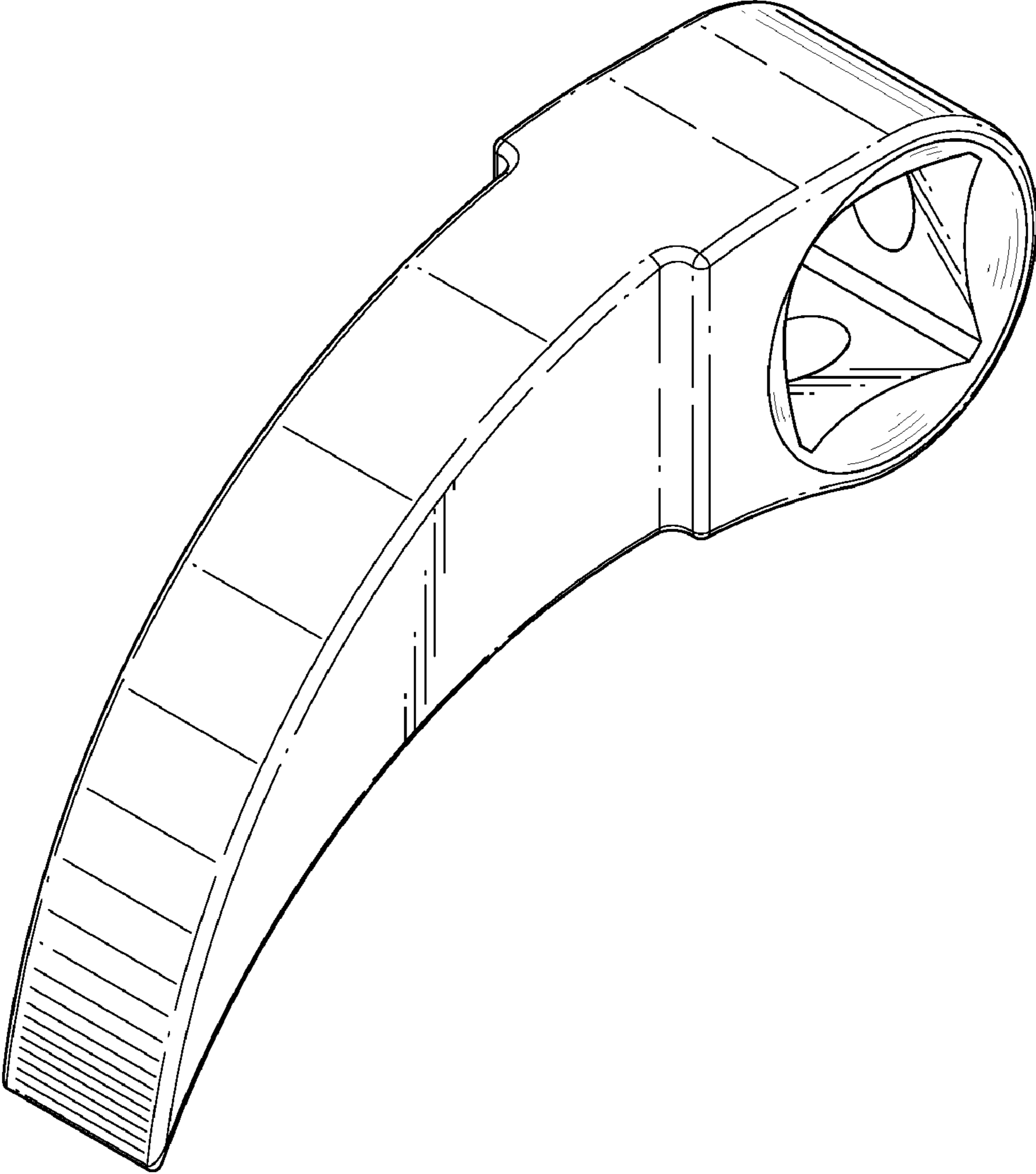


FIG. 1

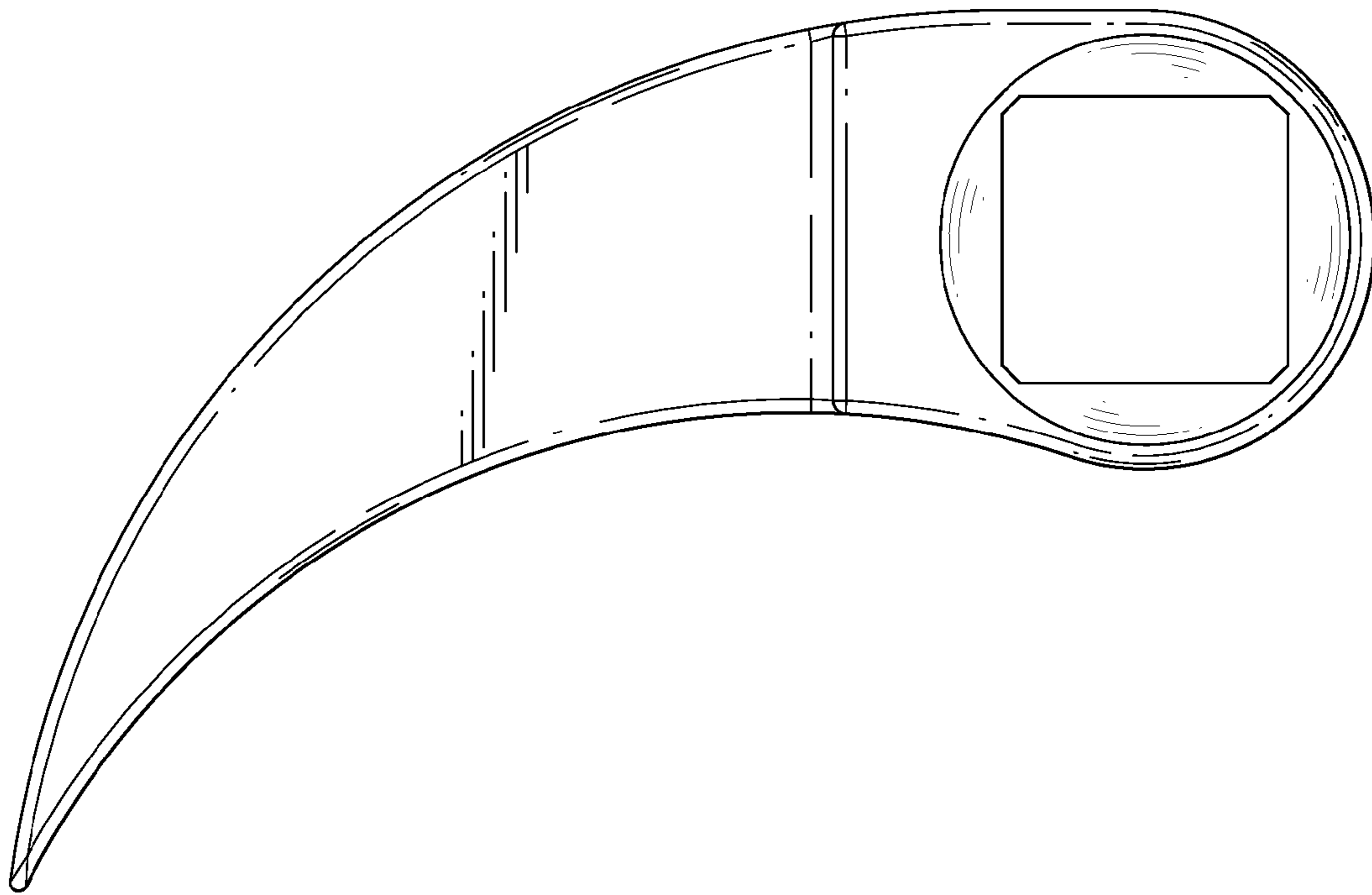


FIG. 2

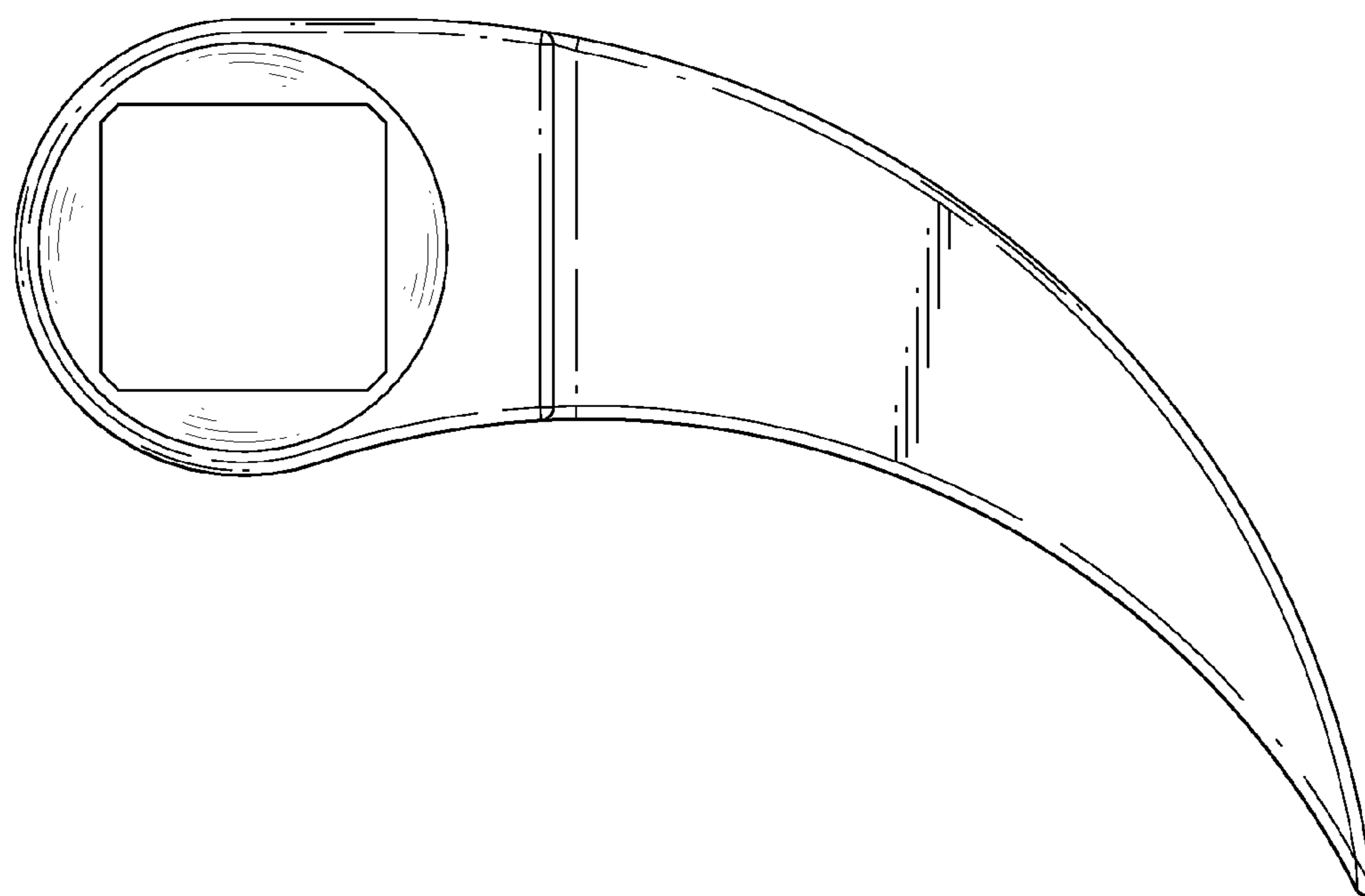


FIG. 3

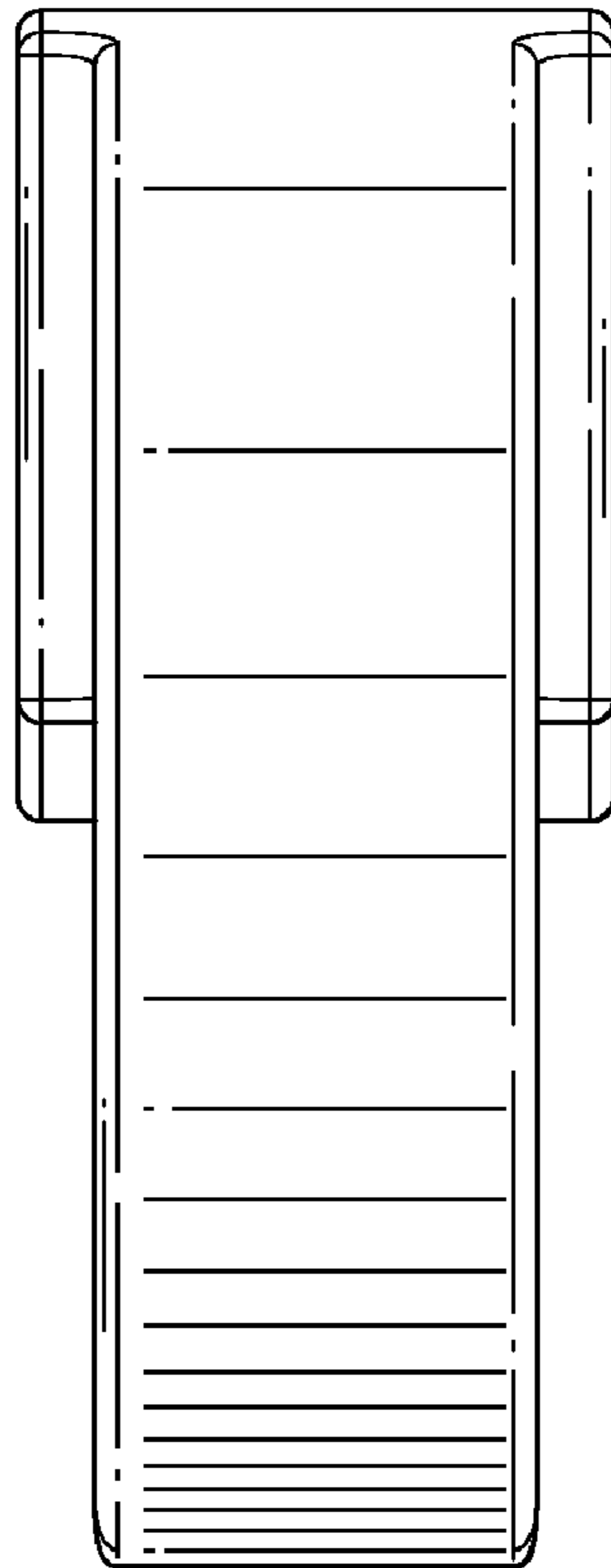


FIG. 4

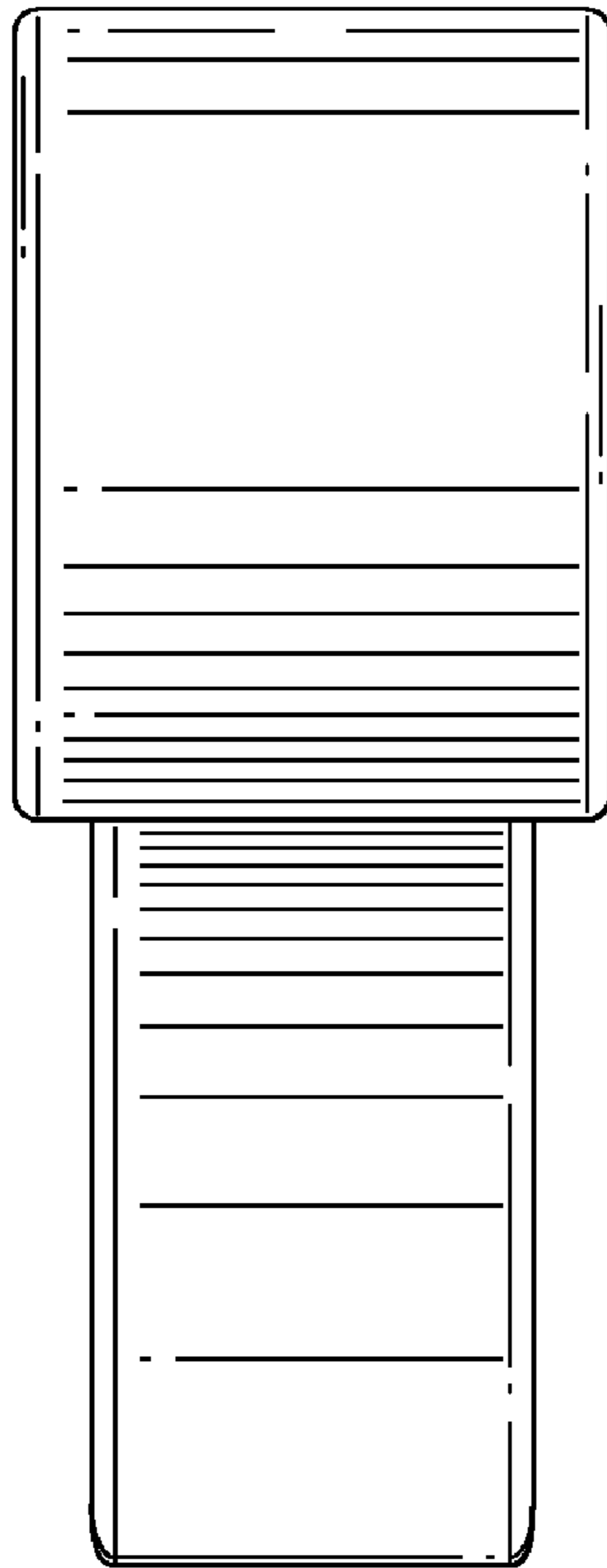


FIG. 5

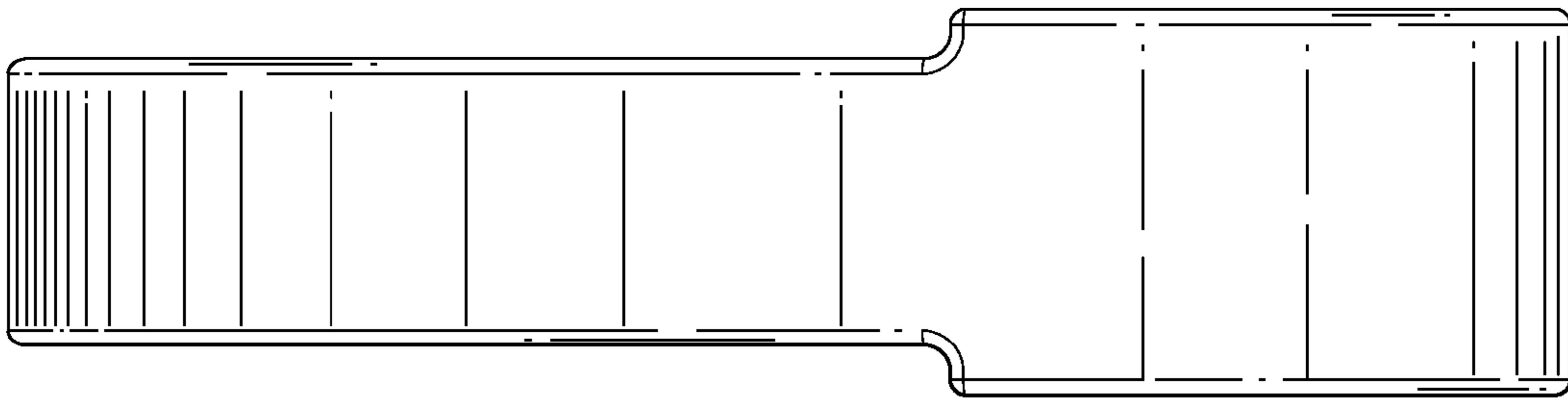


FIG. 6

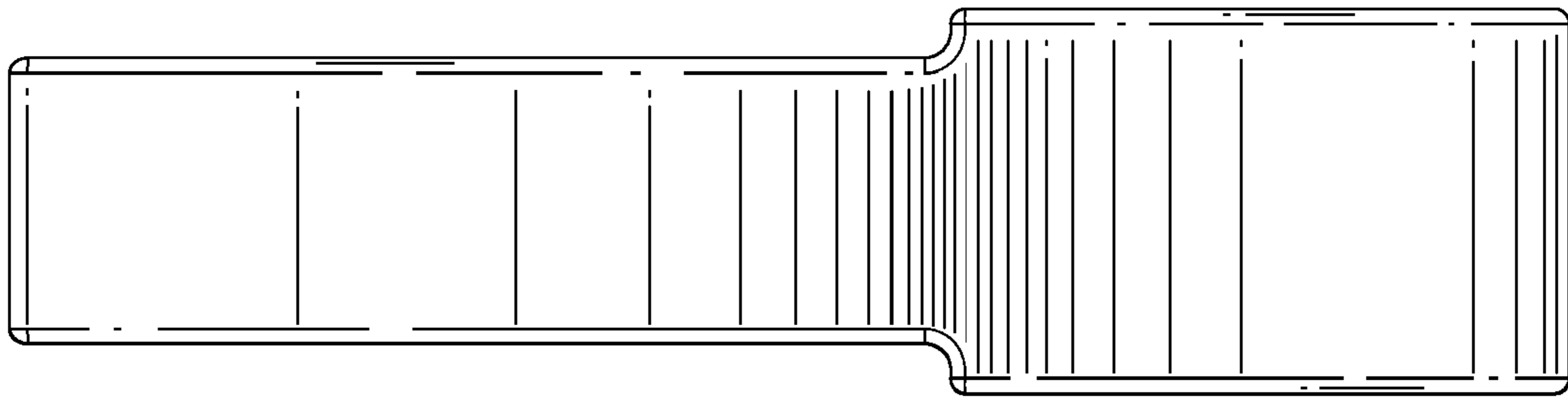


FIG. 7