



US00D624383S

(12) **United States Design Patent**
Hsu

(10) **Patent No.:** **US D624,383 S**

(45) **Date of Patent:** **** Sep. 28, 2010**

(54) **TOOL BIT**

(76) Inventor: **Shao-Hsien Hsu**, No. 1, Lane 30,
Tucheng Rd., Dali City, Taichung County
(TW) 412

(**) Term: **14 Years**

(21) Appl. No.: **29/333,131**

(22) Filed: **Mar. 3, 2009**

Related U.S. Application Data

(63) Continuation of application No. 12/395,678, filed on
Mar. 1, 2009.

(51) **LOC (9) Cl.** **08-04**

(52) **U.S. Cl.** **D8/86**

(58) **Field of Classification Search** D8/82,
D8/86, 70; 81/436, 438, 441, 460
See application file for complete search history.

(56) **References Cited**

U.S. PATENT DOCUMENTS

D178,946 S *	10/1956	Atkinson	D21/389
D249,725 S *	9/1978	Cosman	D21/386
4,315,482 A *	2/1982	Cooper et al.	119/712
D266,012 S *	8/1982	Shyu	D21/389
5,868,047 A *	2/1999	Faust et al.	81/438
D410,372 S *	6/1999	Strauch	D8/86

6,289,775 B1 *	9/2001	Wei	81/460
D462,596 S *	9/2002	Fruhm	D8/86
6,453,781 B1 *	9/2002	Casino Lorite et al.	81/460
6,520,055 B1 *	2/2003	Reusch et al.	81/460
6,655,241 B2 *	12/2003	Kozak	81/460
2009/0056511 A1 *	3/2009	Chen	81/441

* cited by examiner

Primary Examiner—Philip S Hyder
Assistant Examiner—Roselynn Cody

(57) **CLAIM**

The ornamental design for a tool bit, as shown and described.

DESCRIPTION

FIG. 1 is a perspective view of a tool bit showing an embodi-
ment of my new design;

FIG. 2 is a front elevational view thereof;

FIG. 3 is a rear elevational view thereof;

FIG. 4 is a right side view thereof;

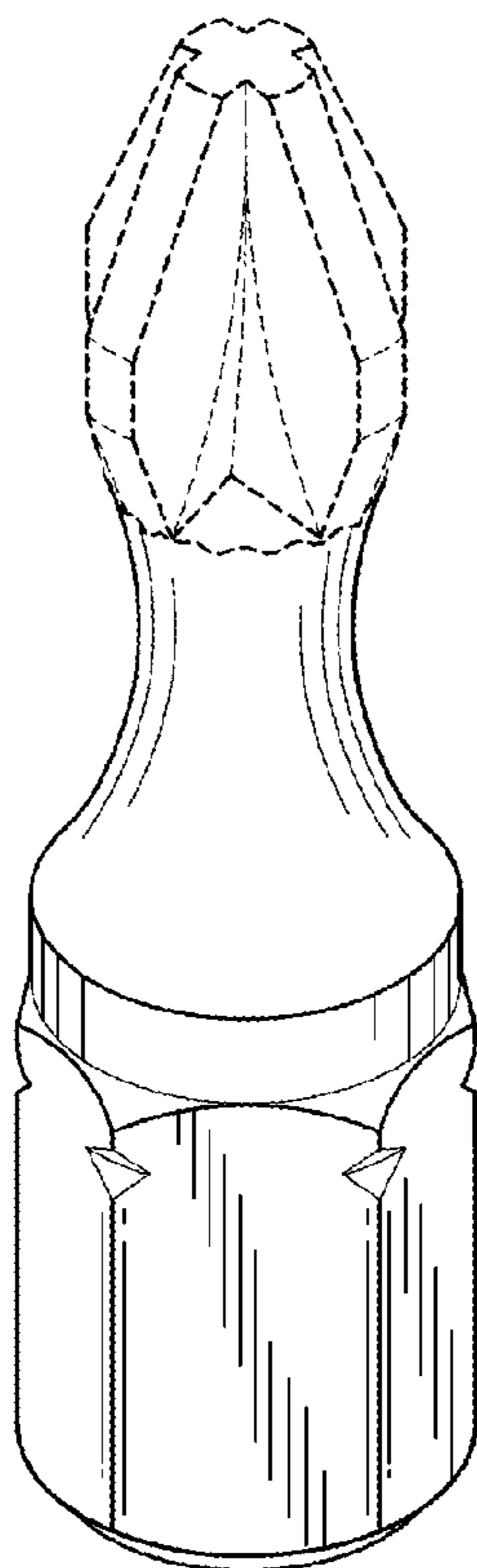
FIG. 5 is a left side view thereof;

FIG. 6 is a top plan view thereof; and,

FIG. 7 is a bottom plan view thereof.

The broken lines in the figures are for illustrative purposes
only and depict portions of the design that form no part of the
claim.

1 Claim, 4 Drawing Sheets



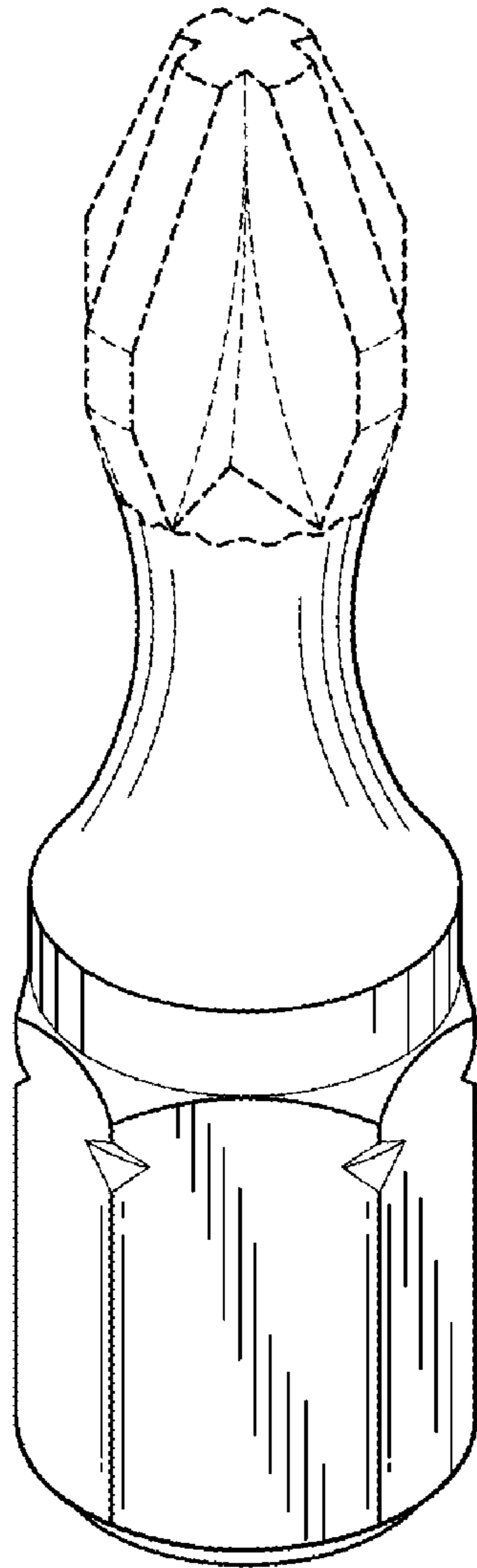


FIG. 1

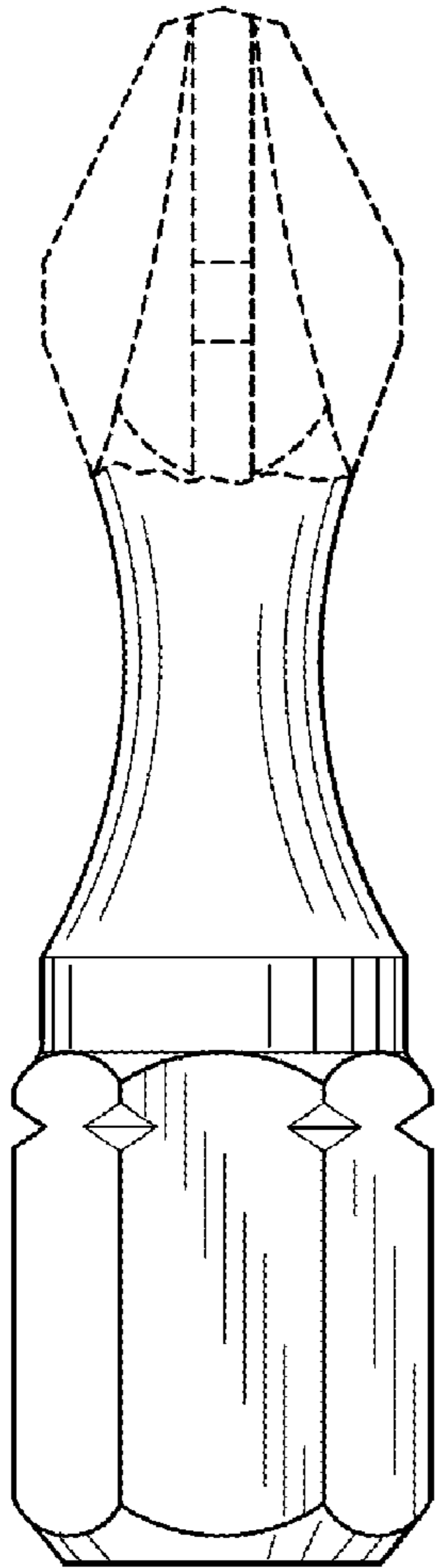


FIG. 2

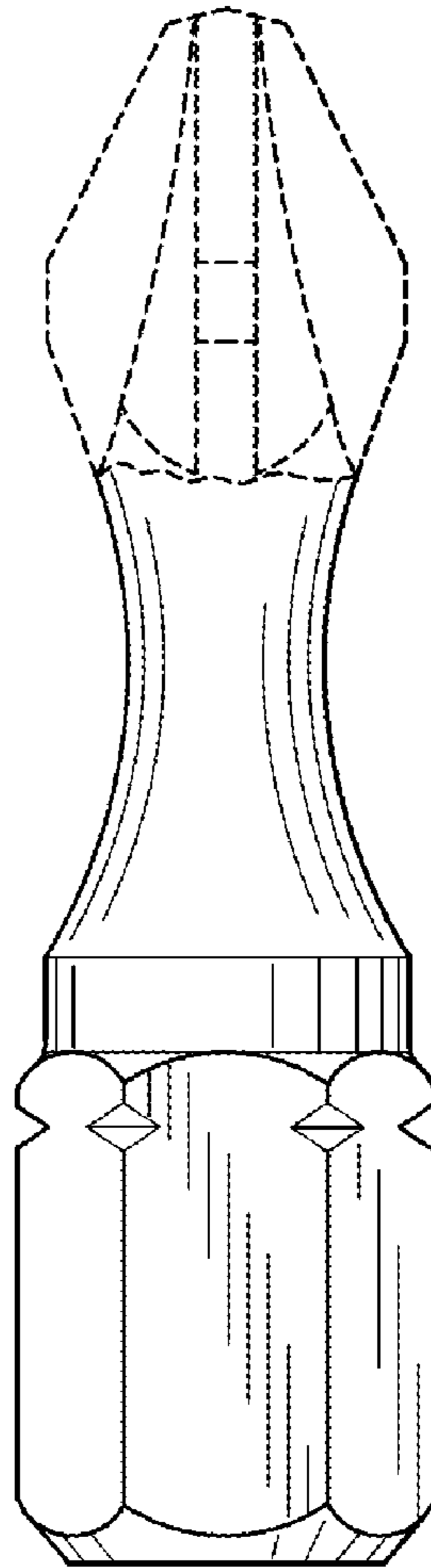


FIG. 3

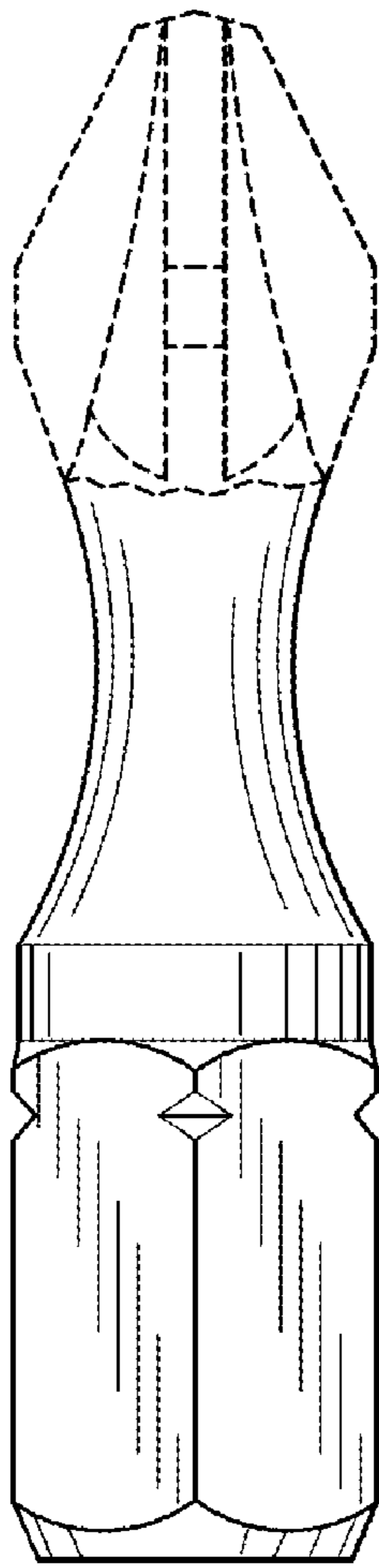


FIG. 4

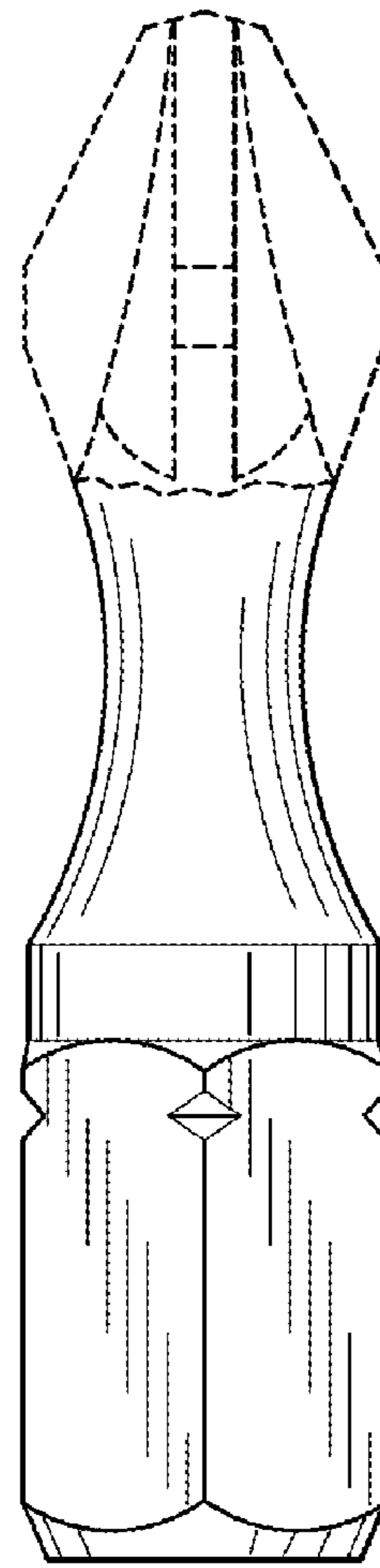


FIG. 5

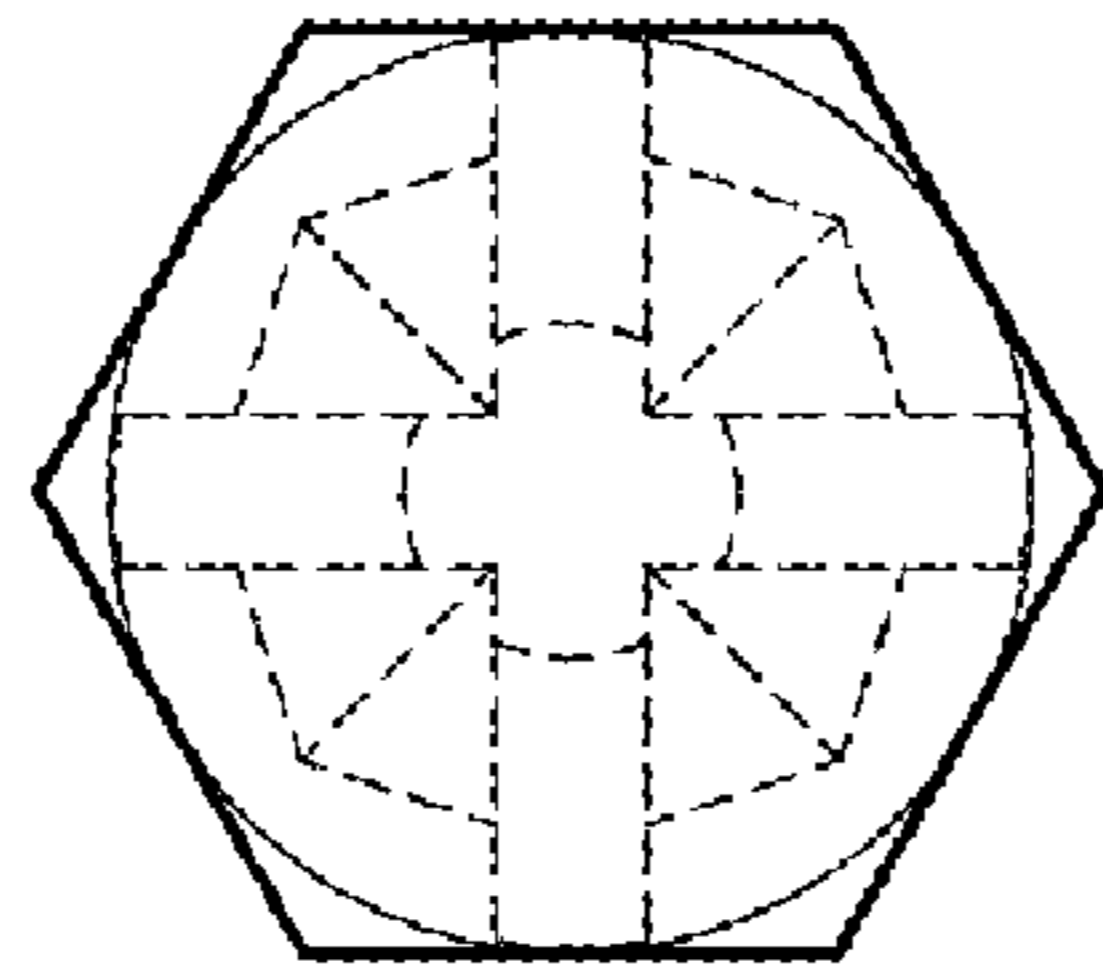


FIG. 6

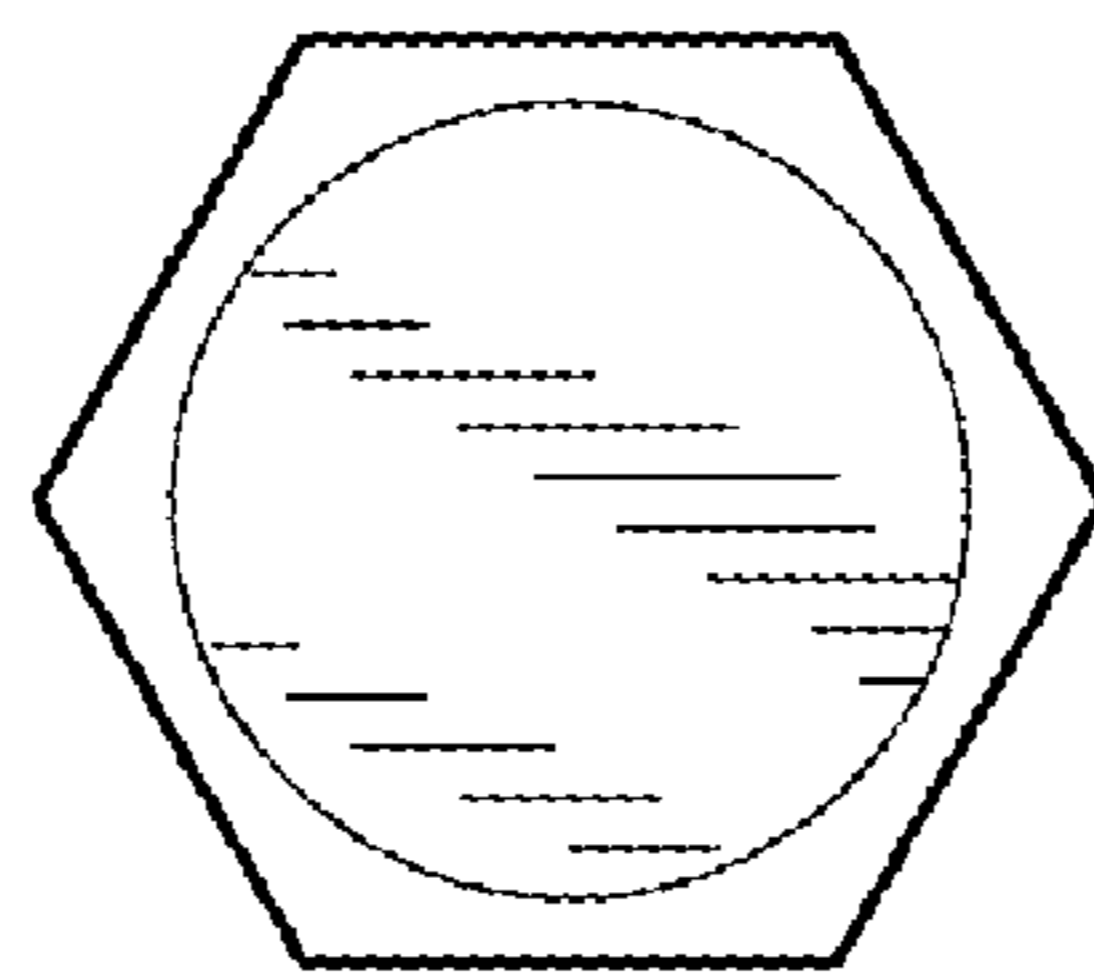


FIG. 7