

US00D624375S

(12) **United States Design Patent**  
**Pifer**

(10) **Patent No.:** **US D624,375 S**

(45) **Date of Patent:** **\*\* Sep. 28, 2010**

(54) **SNOW AND ICE REMOVAL DEVICE FOR  
AUTOMOBILE EXHAUST PIPE**

(76) **Inventor:** **David C. Pifer**, 10821 Cheryl La.,  
Orland Park, IL (US) 60467

(\*\*) **Term:** **14 Years**

(21) **Appl. No.:** **29/345,844**

(22) **Filed:** **Oct. 22, 2009**

(51) **LOC (9) Cl.** ..... **08-05**

(52) **U.S. Cl.** ..... **D8/29.1**

(58) **Field of Classification Search** ..... D8/29.1,  
D8/29.2, 30, 51; 392/379, 383, 384; 219/221,  
219/225, 117, 228, 229, 200, 205; 294/49,  
294/54.5

See application file for complete search history.

(56) **References Cited**

**U.S. PATENT DOCUMENTS**

2,515,341	A *	7/1950	Giguere	.....	126/271.1
2,733,668	A *	2/1956	Ppetzing	.....	104/52
3,189,021	A	6/1965	Giguere		
3,232,287	A	2/1966	Gillingham et al.		
4,324,307	A	4/1982	Schittino et al.		
D319,768	S *	9/1991	Smith	.....	D8/29.1
5,072,486	A *	12/1991	Guarascio	.....	15/401
5,224,239	A *	7/1993	Cuthbert, Jr.	.....	15/347
D347,043	S *	5/1994	Hoyt et al.	.....	D21/754

D369,583	S	5/1996	Shirley		
5,700,039	A	12/1997	Manning		
5,722,461	A	3/1998	Lake		
D456,681	S *	5/2002	Cheng	.....	D8/29.1
D458,614	S *	6/2002	Esterhuyse et al.	.....	D15/29
D470,282	S	2/2003	Bjork		
6,575,511	B2 *	6/2003	Hultstrand	.....	294/54.5
7,267,503	B1 *	9/2007	Bentsen	.....	401/123
2007/0271828	A1 *	11/2007	Mishra et al.	.....	37/231
2009/0307936	A1 *	12/2009	Rolsten	.....	37/230

\* cited by examiner

*Primary Examiner*—Prabhakar Deshmukh

(57) **CLAIM**

The ornamental design for a snow and ice removal device for automobile exhaust pipe, as shown and described.

**DESCRIPTION**

FIG. 1 is a perspective view of a snow and ice removal device for automobile exhaust pipe showing my new design;

FIG. 2 is a side view (opposite view is mirror image) thereof;

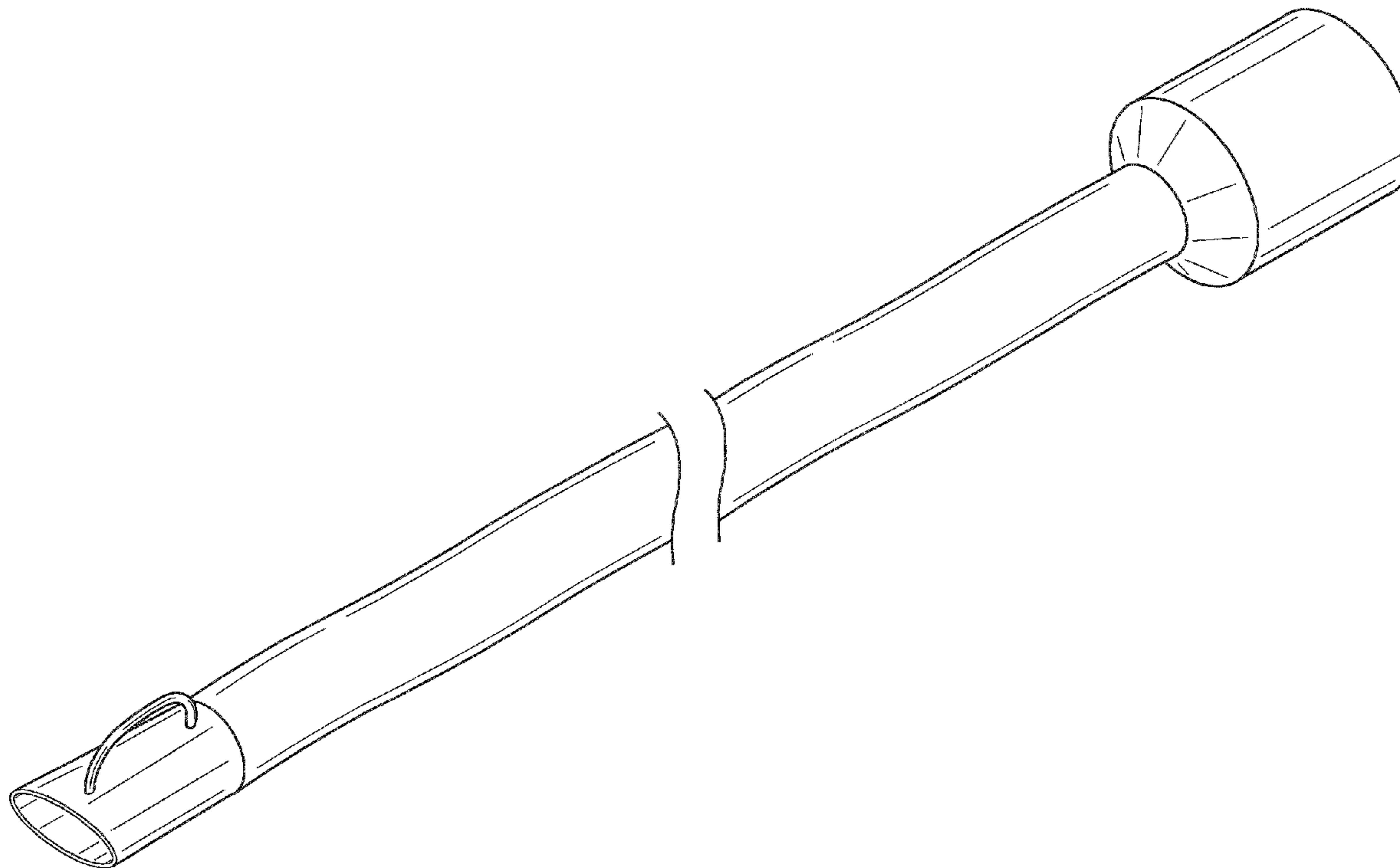
FIG. 3 is a front view thereof;

FIG. 4 is a back view thereof;

FIG. 5 is a top view thereof; and,

FIG. 6 is a bottom view thereof.

**1 Claim, 2 Drawing Sheets**



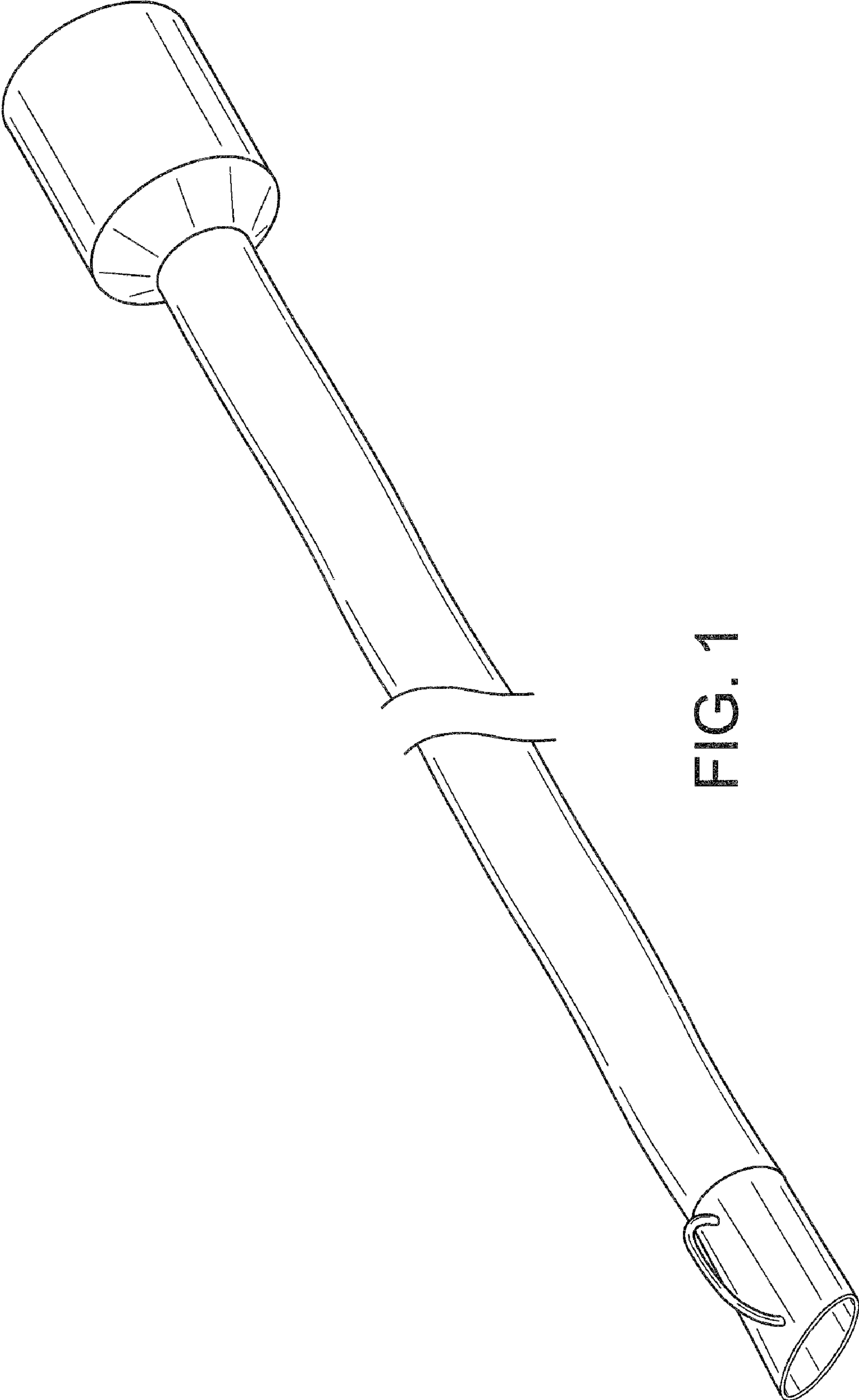


FIG. 1

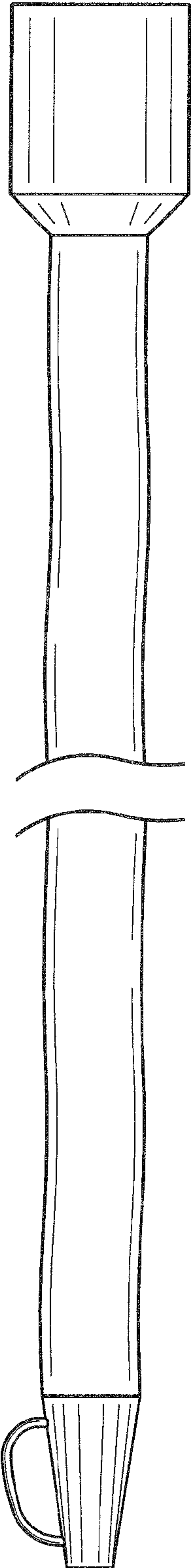


FIG. 2

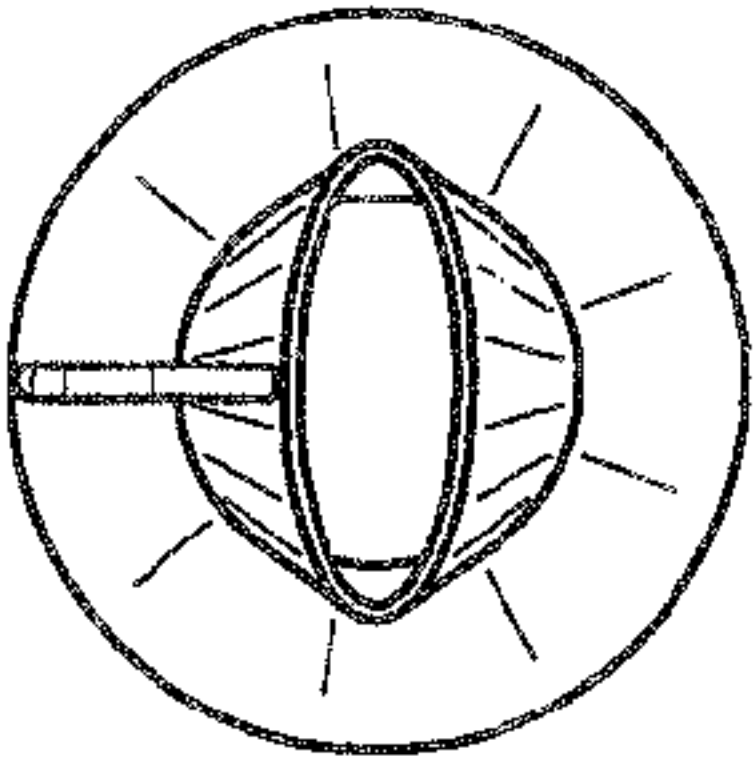


FIG. 3

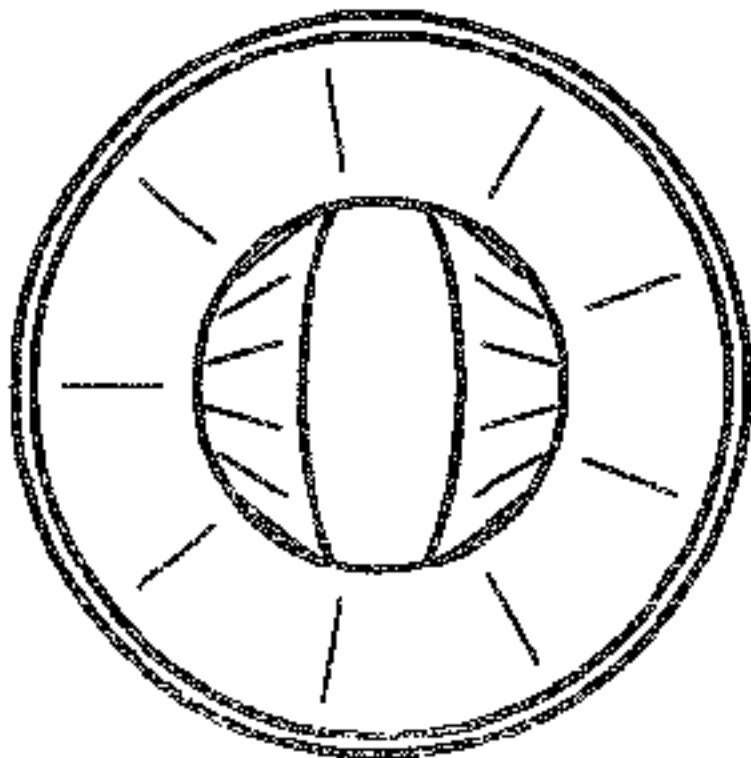


FIG. 4

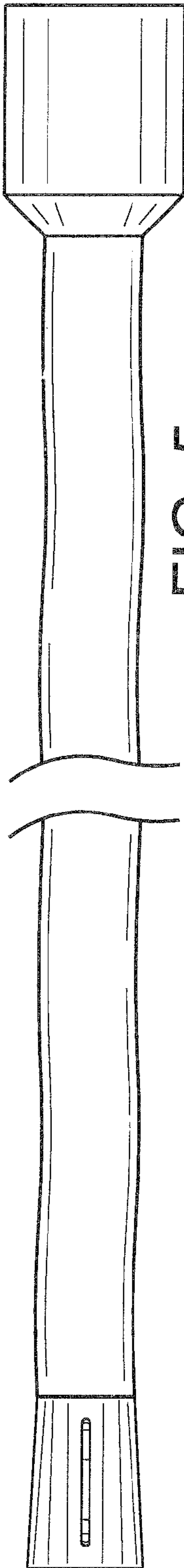


FIG. 5

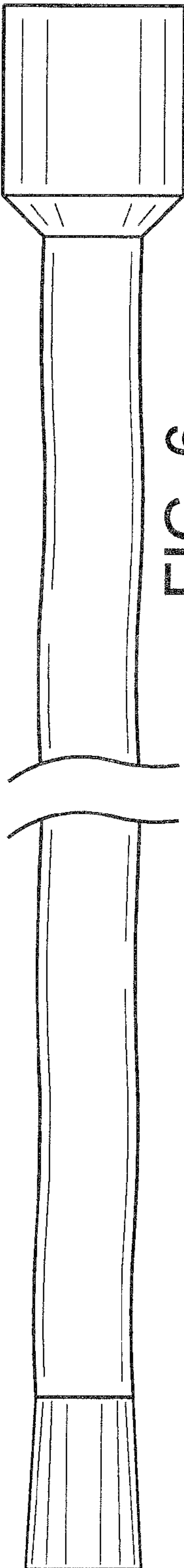


FIG. 6