



US00D624371S

(12) **United States Design Patent**  
**Tinius**

(10) **Patent No.:** **US D624,371 S**

(45) **Date of Patent:** **\*\* Sep. 28, 2010**

(54) **HEDGE SAW**

(75) Inventor: **Michael Tinius**, Ulm (DE)

(73) Assignee: **Andreas Stihl AG & Co. KG**,  
Waiblingen (DE)

(\*\*) Term: **14 Years**

(21) Appl. No.: **29/352,305**

(22) Filed: **Dec. 18, 2009**

(51) **LOC (9) Cl.** ..... **08-01**

(52) **U.S. Cl.** ..... **D8/8**

(58) **Field of Classification Search** ..... D8/7,  
D8/8, 9; 30/208, 276, 228, 382, 383, 216;  
56/12.7, 233–237

See application file for complete search history.

(56) **References Cited**

**U.S. PATENT DOCUMENTS**

D372,407 S *	8/1996	Haneda et al.	.....	D8/8
D460,667 S *	7/2002	Waldron	.....	D8/8
D462,882 S *	9/2002	Evans	.....	D8/8
D463,228 S *	9/2002	Cooper	.....	D8/8
D463,229 S *	9/2002	Gabriel	.....	D8/8
D468,600 S *	1/2003	Evans	.....	D8/8
D505,602 S *	5/2005	Houghton	.....	D8/8
D522,818 S *	6/2006	Andriolo	.....	D8/8

D543,805 S *	6/2007	Houghton	.....	D8/8
D560,983 S *	2/2008	Tinius	.....	D8/8
D580,238 S *	11/2008	Murray	.....	D8/8
D580,239 S *	11/2008	Murray	.....	D8/8
D580,240 S *	11/2008	Murray	.....	D8/8
D582,225 S *	12/2008	Bochmann et al.	.....	D8/8

\* cited by examiner

*Primary Examiner*—Holly H Baynham

*Assistant Examiner*—Sheryl Lane

(74) *Attorney, Agent, or Firm*—McGuireWoods LLP

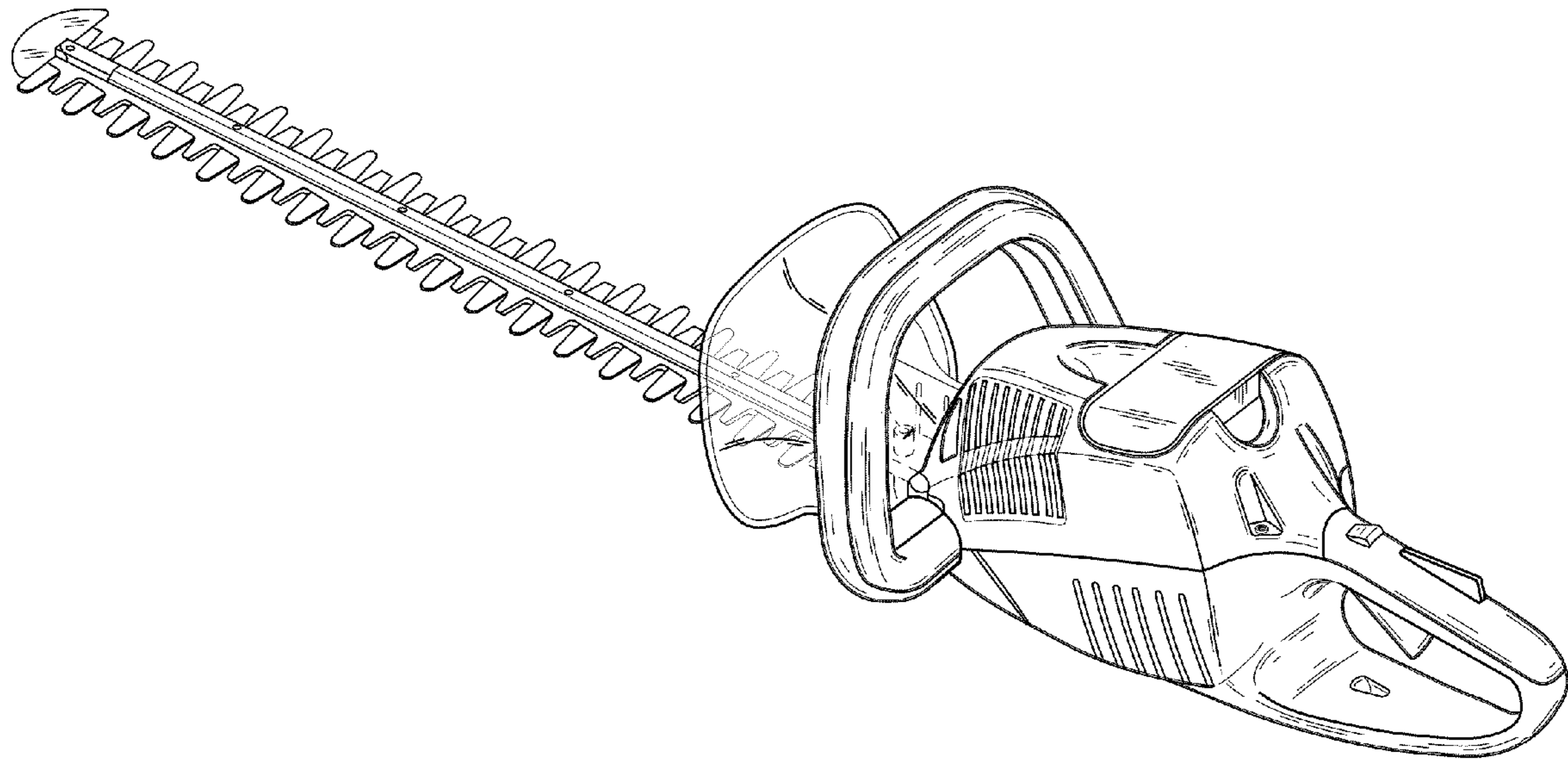
(57) **CLAIM**

I claim the ornamental design for a hedge saw, as shown and described.

**DESCRIPTION**

FIG. 1 is a left side perspective view of the hedge saw;  
FIG. 2 is a top view of the hedge saw shown in FIG. 1;  
FIG. 3 is a front view of the hedge saw shown in FIG. 1;  
FIG. 4 is a rear view of the hedge saw shown in FIG. 1;  
FIG. 5 is a right side view of the hedge saw shown in FIG. 1;  
FIG. 6 is a left side view of the hedge saw shown in FIG. 1;  
and,  
FIG. 7 is a bottom view of the hedge saw shown in FIG. 1.

**1 Claim, 6 Drawing Sheets**



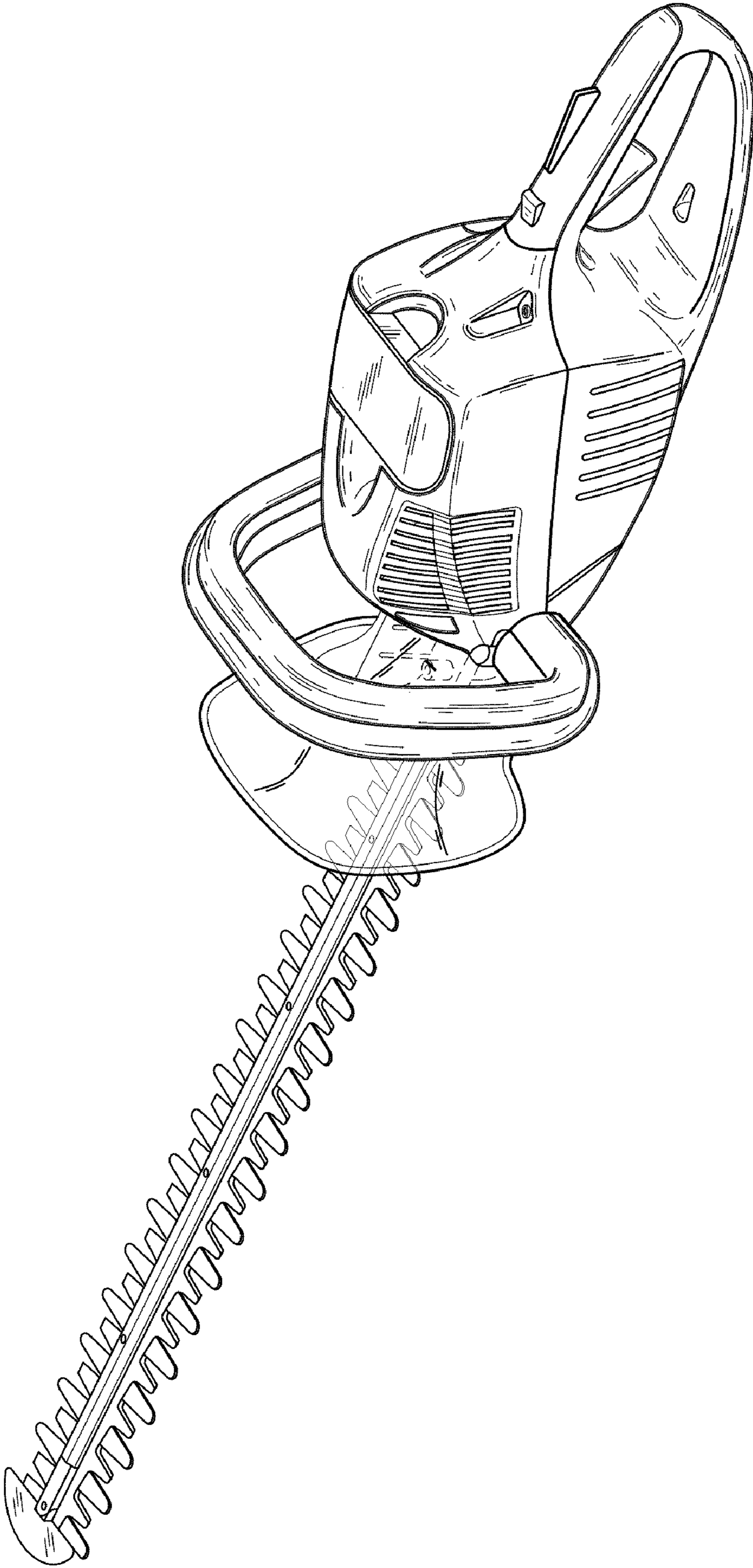
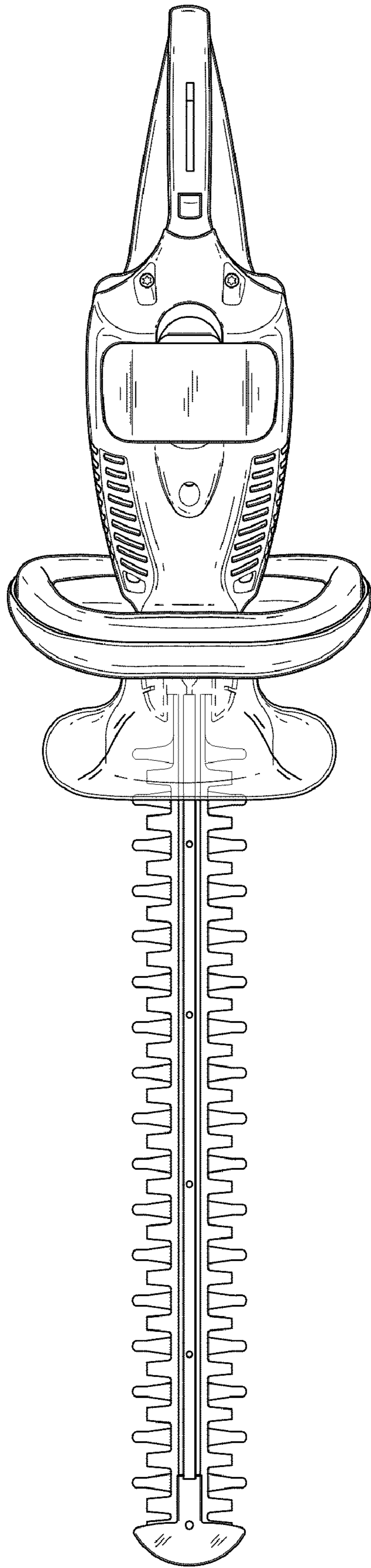
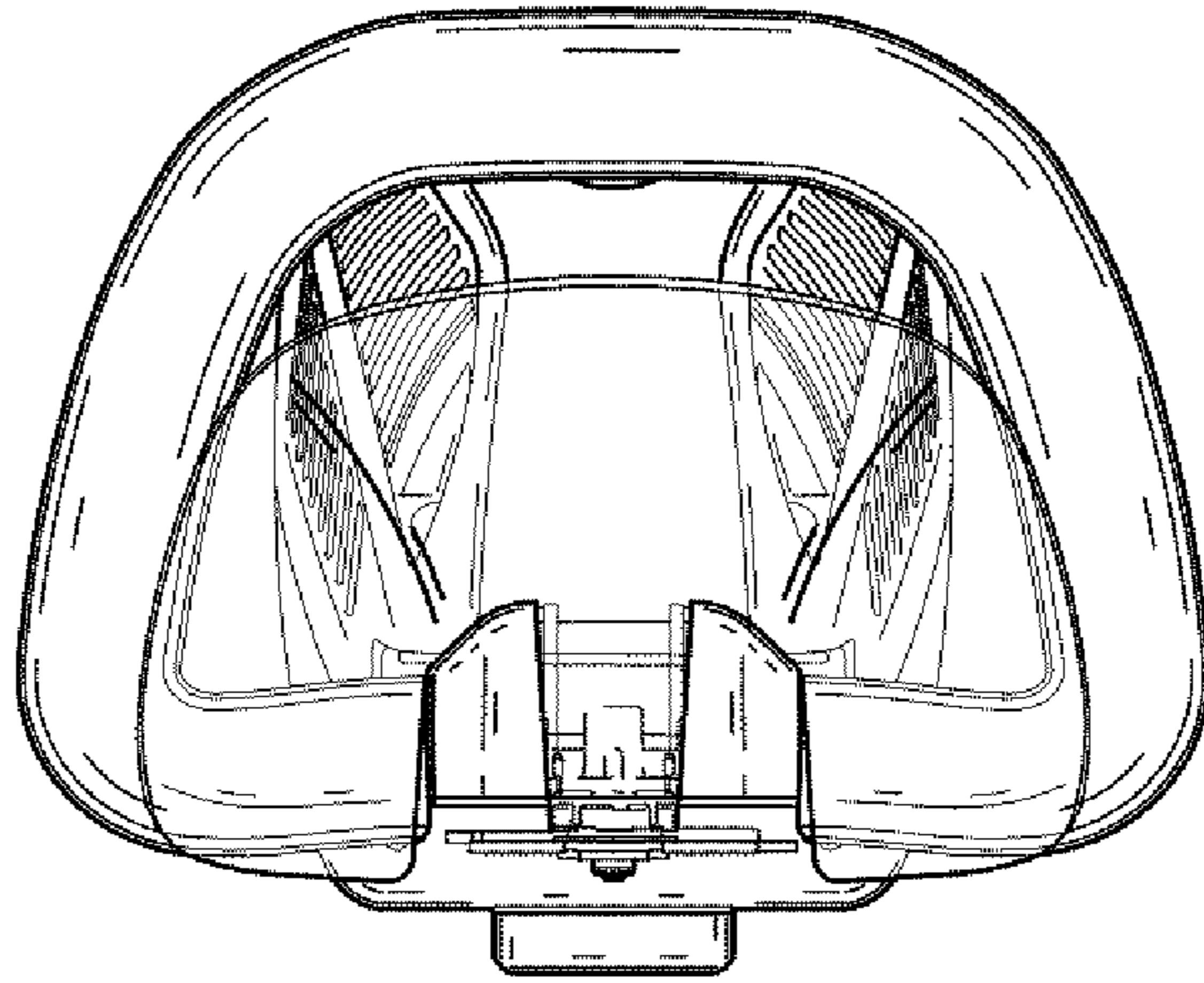


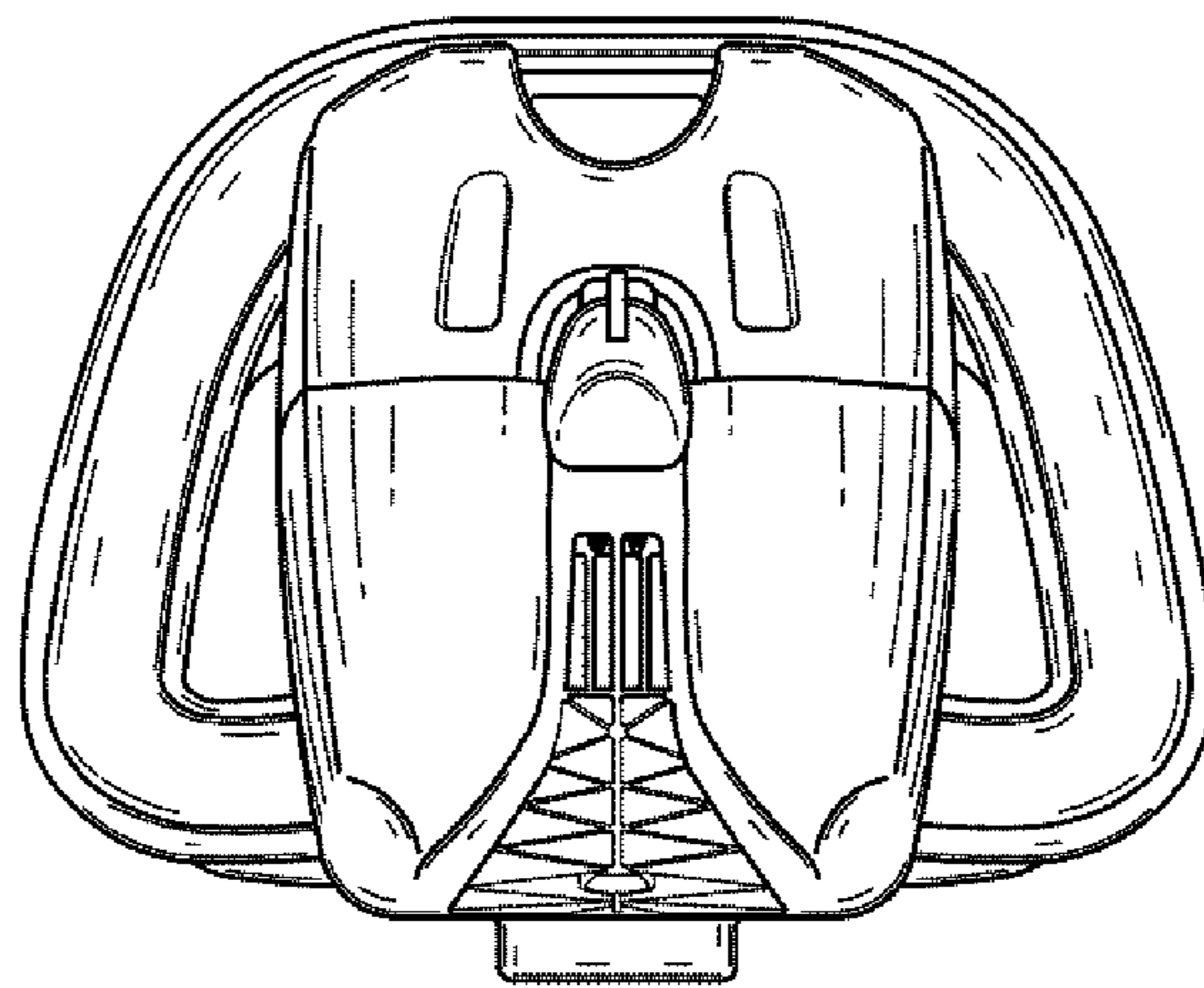
FIG. 1



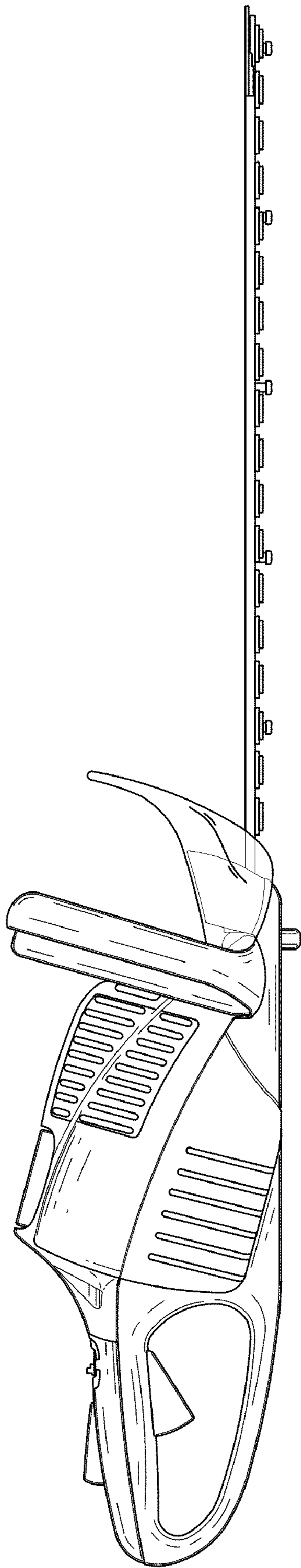
*FIG. 2*



*FIG. 3*



*FIG. 4*



*FIG. 5*

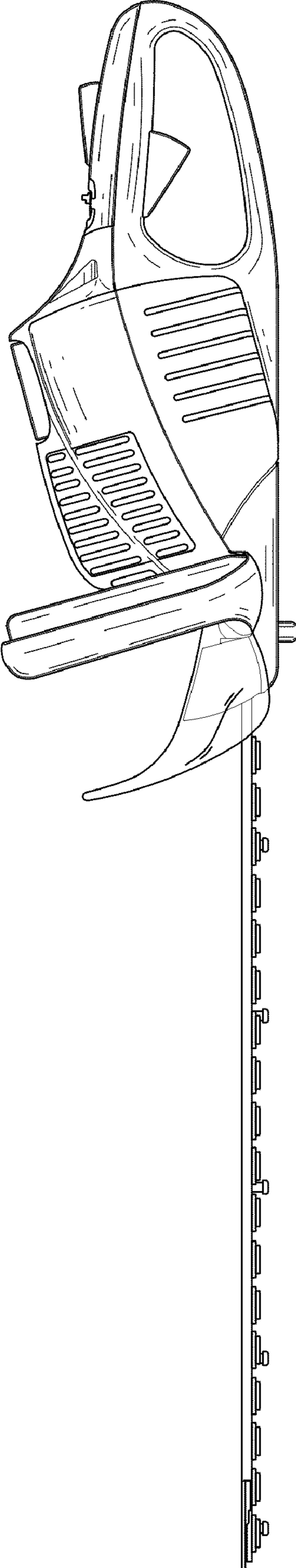
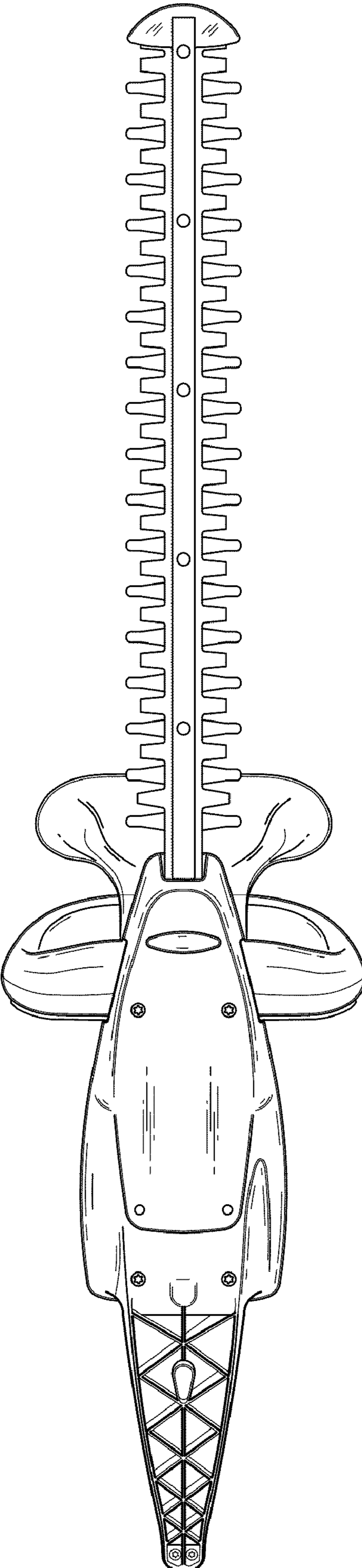


FIG. 6



*FIG. 7*