



US00D624370S

(12) **United States Design Patent**
Motosko

(10) **Patent No.:** **US D624,370 S**

(45) **Date of Patent:** **** Sep. 28, 2010**

(54) **AUGER**

DESCRIPTION

- (75) Inventor: **Thomas P. Motosko**, Cambridge, WI (US)
- (73) Assignee: **Versatile Housewares & Gardening Systems, Inc.**, Cambridge, WI (US)
- (**) Term: **14 Years**
- (21) Appl. No.: **29/345,064**
- (22) Filed: **Oct. 8, 2009**
- (51) **LOC (9) Cl.** **08-01**
- (52) **U.S. Cl.** **D8/7**
- (58) **Field of Classification Search** D8/1, D8/7; D15/12, 28; 172/111; 294/50.6
See application file for complete search history.

This application claims a benefit of priority to U.S. Patent Application Ser. No. 11/229,895, filed on Sep. 19, 2005, the entire contents of which are hereby incorporated by reference.

FIG. 1 is an isometric view of the auger embodying the new design;

FIG. 2 is an isometric view of one embodiment of the auger;

FIG. 3 is a top view thereof;

FIG. 4 is a front view thereof;

FIG. 5 is a right view thereof;

FIG. 6 is an isometric view of another embodiment of the auger;

FIG. 7 is a top view thereof;

FIG. 8 is a front view thereof;

FIG. 9 is a right view thereof;

FIG. 10 is an isometric view of another embodiment of the auger;

FIG. 11 is a top view thereof;

FIG. 12 is a front view thereof;

FIG. 13 is a right view thereof;

FIG. 14 is an isometric view of the extension of the auger of FIG. 1 shown separated for ease of illustration;

FIG. 15 is a front view of the extension of FIG. 14.

FIG. 16 is a magnified top view of the extension of FIG. 14; and,

FIG. 17 is a magnified bottom view of the extension of FIG. 14.

The auger is shown broken to represent an indeterminate length.

The broken line showing of the auger extension is included for the purpose of illustrating portions of the article and forms no part of the claimed design.

(56) **References Cited**

U.S. PATENT DOCUMENTS

| | | | | |
|--------------|---------|----------|-------|--------|
| D30,847 S * | 5/1899 | Falz | | D8/7 |
| D250,388 S * | 11/1978 | Rantanen | | D8/8 |
| D253,469 S * | 11/1979 | Sheldon | | D15/12 |
| D253,825 S * | 1/1980 | Sheldon | | D15/12 |
| D254,132 S * | 2/1980 | Sheldon | | D15/12 |
| D254,134 S * | 2/1980 | Sheldon | | D15/12 |
| D368,211 S * | 3/1996 | Skold | | D8/1 |
| D524,328 S * | 7/2006 | Shepherd | | D15/28 |
| D524,329 S * | 7/2006 | Sheperd | | D15/28 |
| D546,167 S * | 7/2007 | Noethe | | D8/349 |

* cited by examiner

Primary Examiner—Holly H Baynham

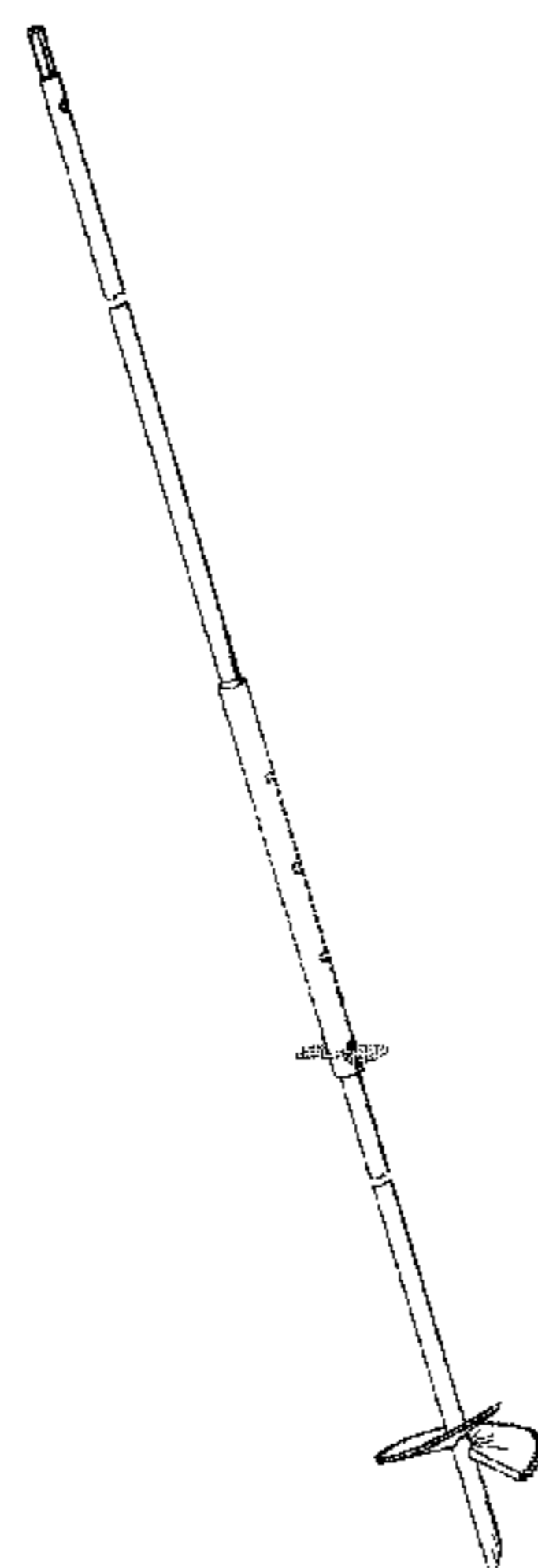
Assistant Examiner—Sheryl Lane

(74) *Attorney, Agent, or Firm*—Boyle Fredrickson, S.C.

(57) **CLAIM**

The ornamental design for an auger, as shown and described.

1 Claim, 9 Drawing Sheets



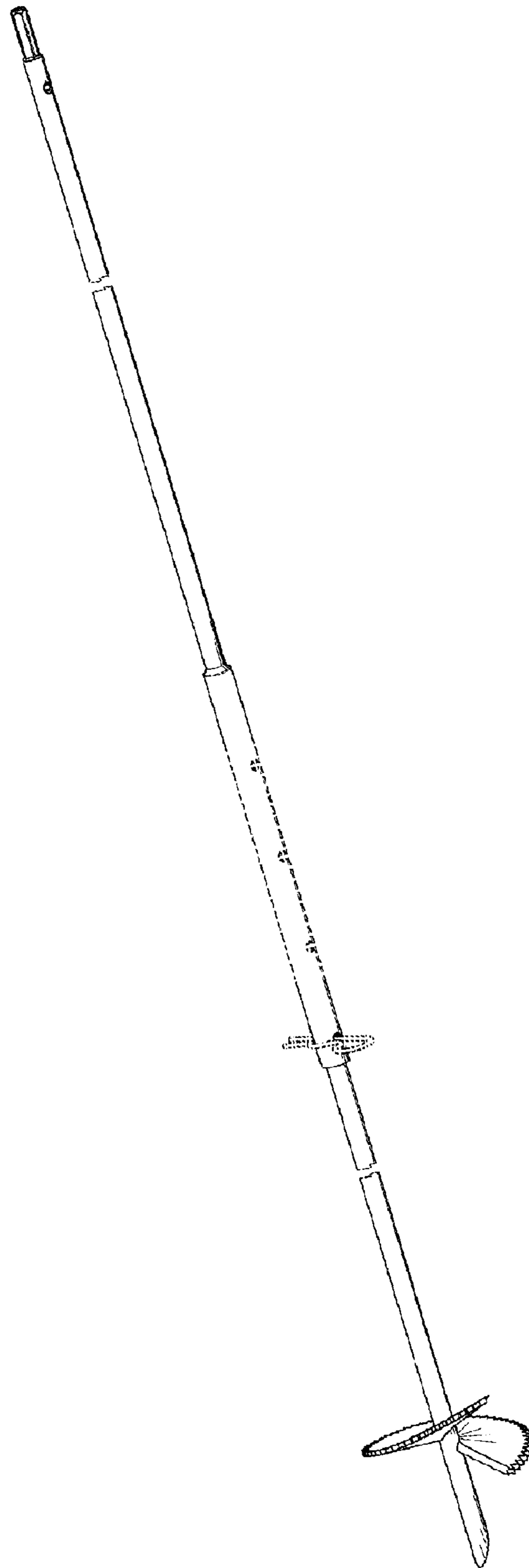


FIG. 1

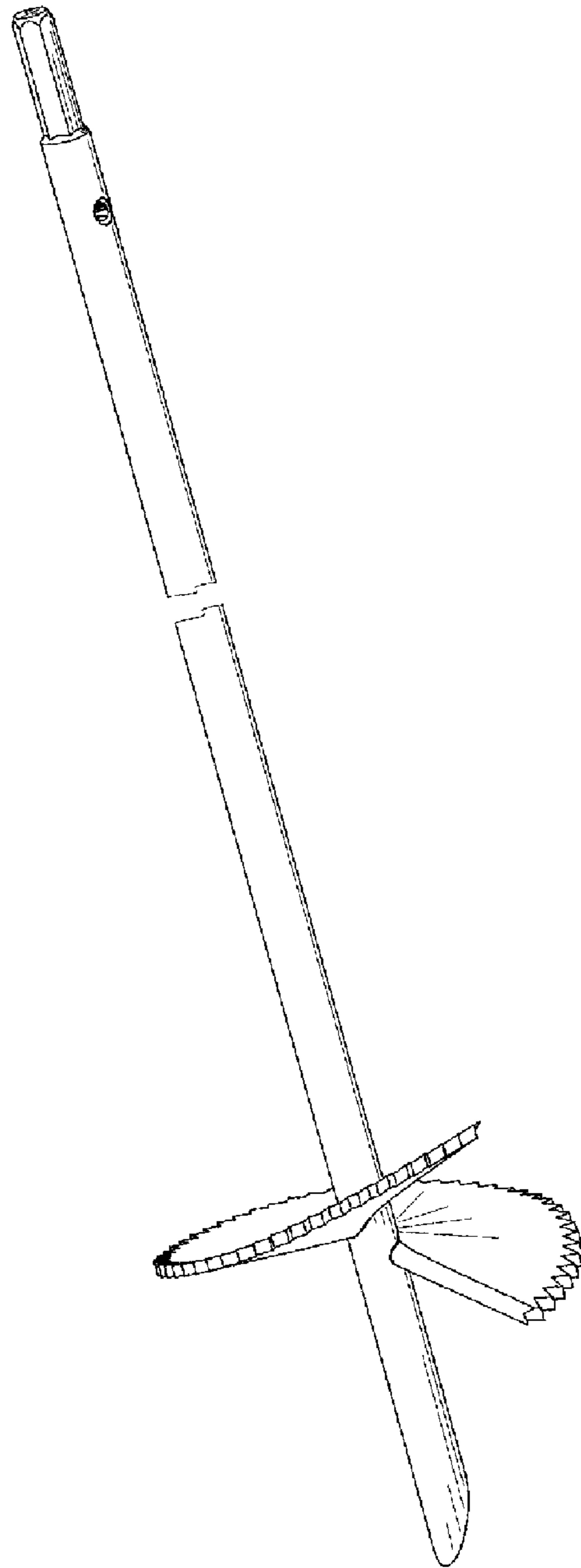


FIG. 2

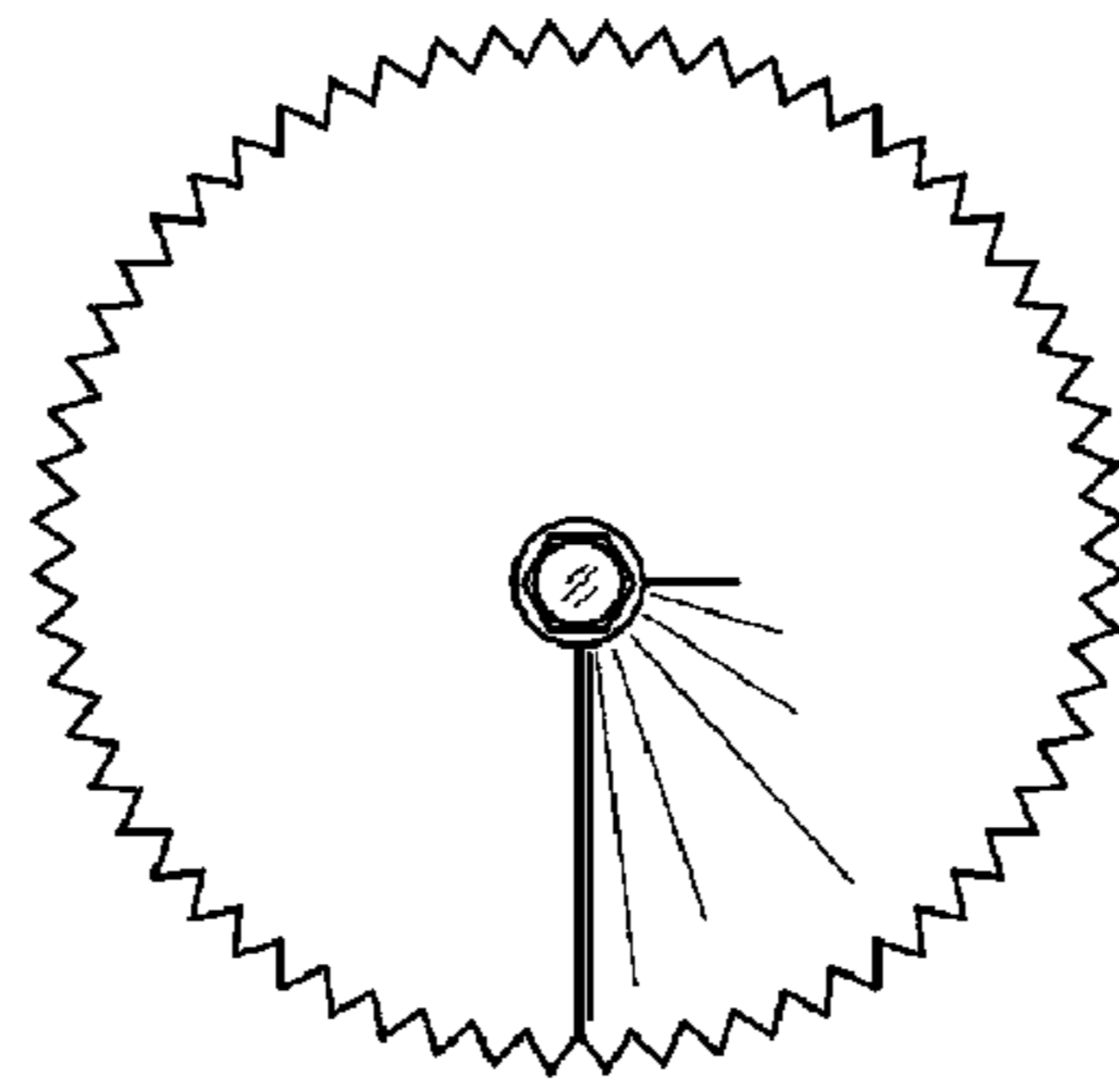


FIG. 3

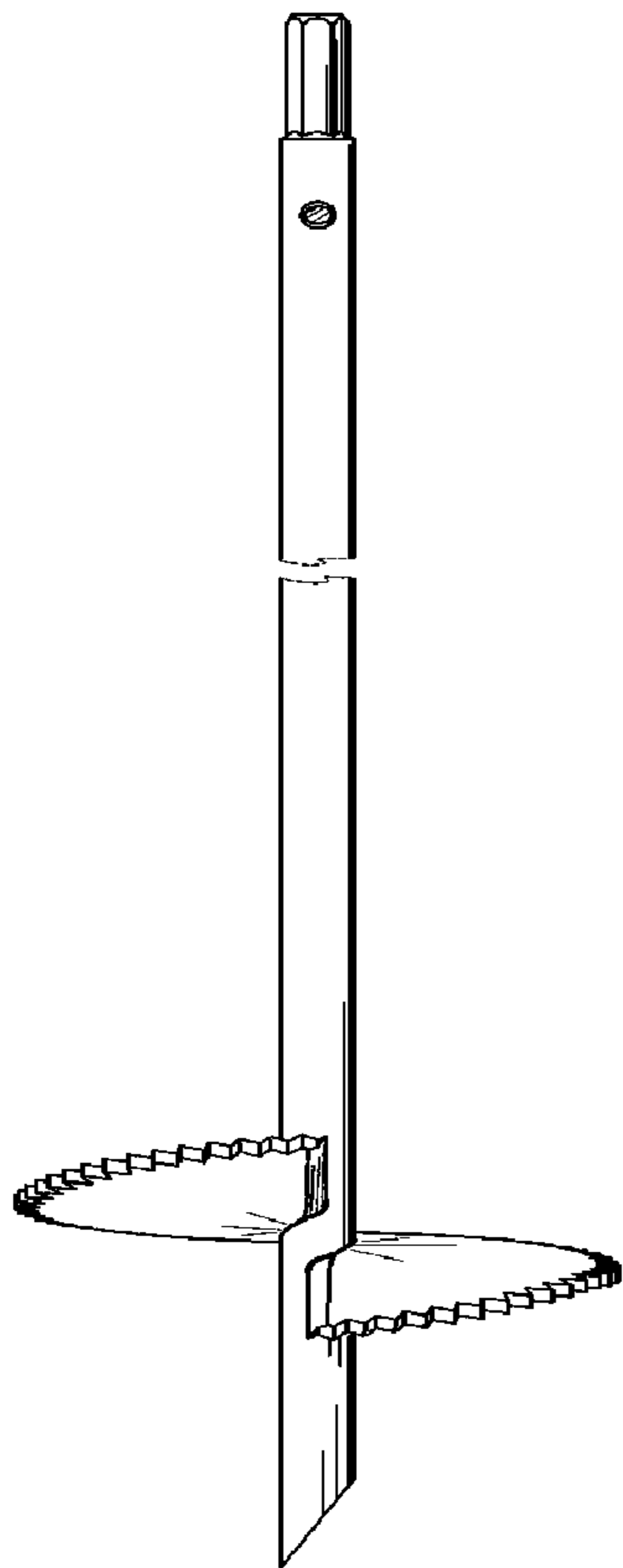


FIG. 4

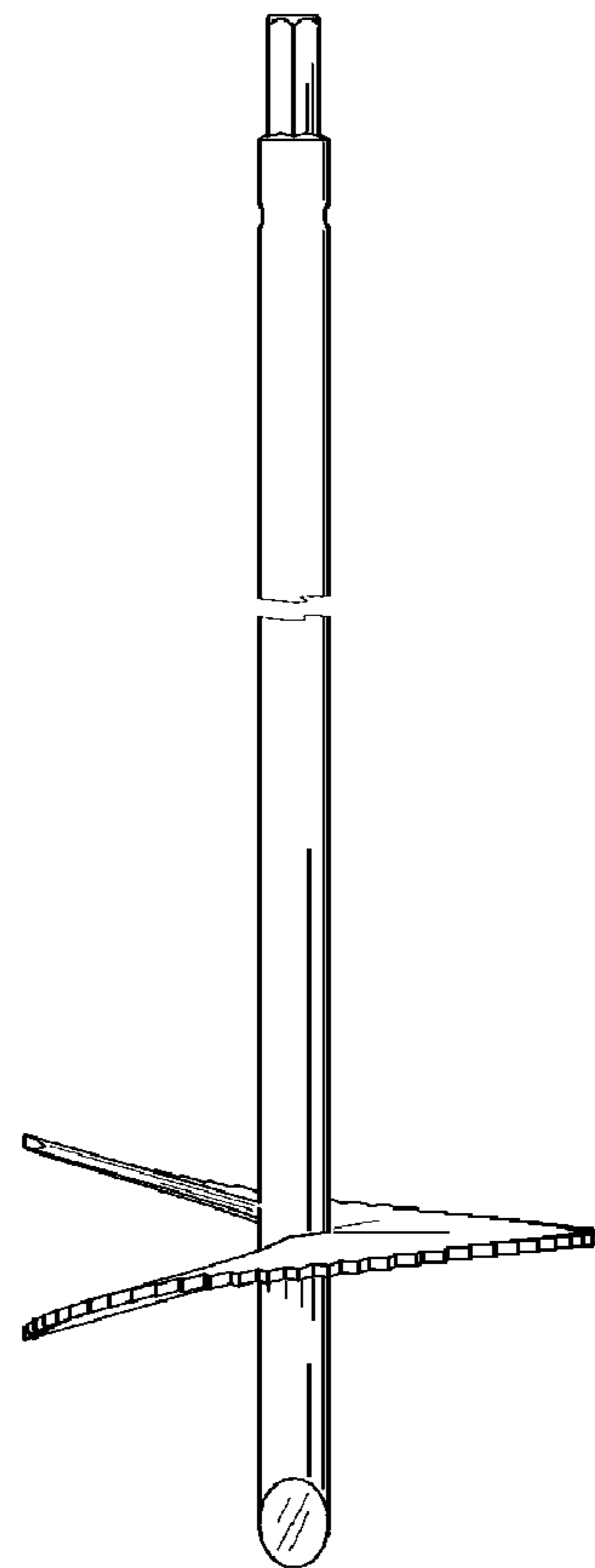


FIG. 5

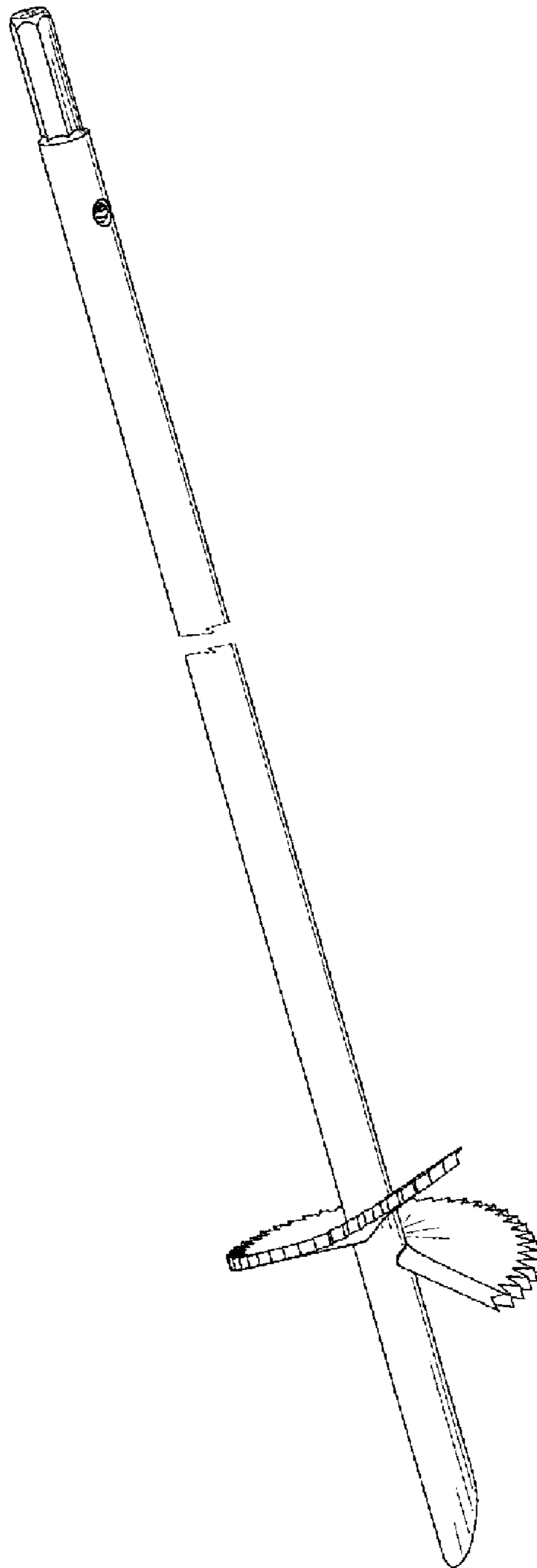


FIG. 6

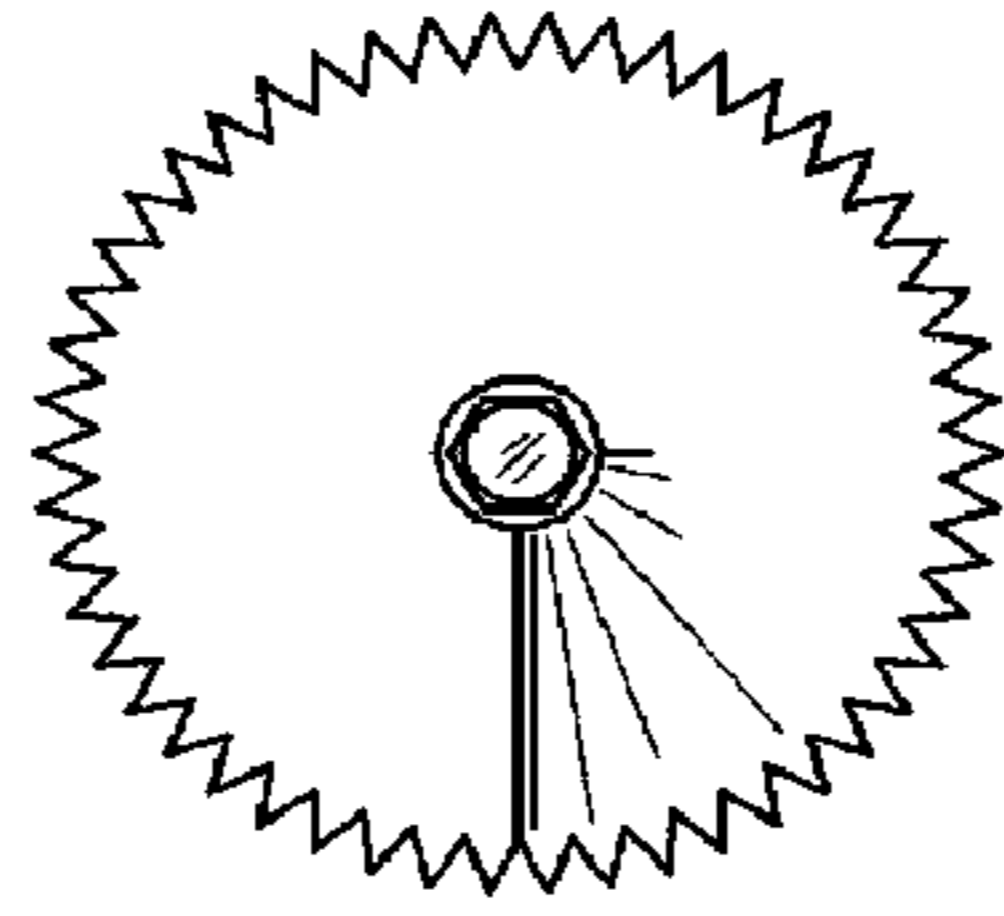


FIG. 7

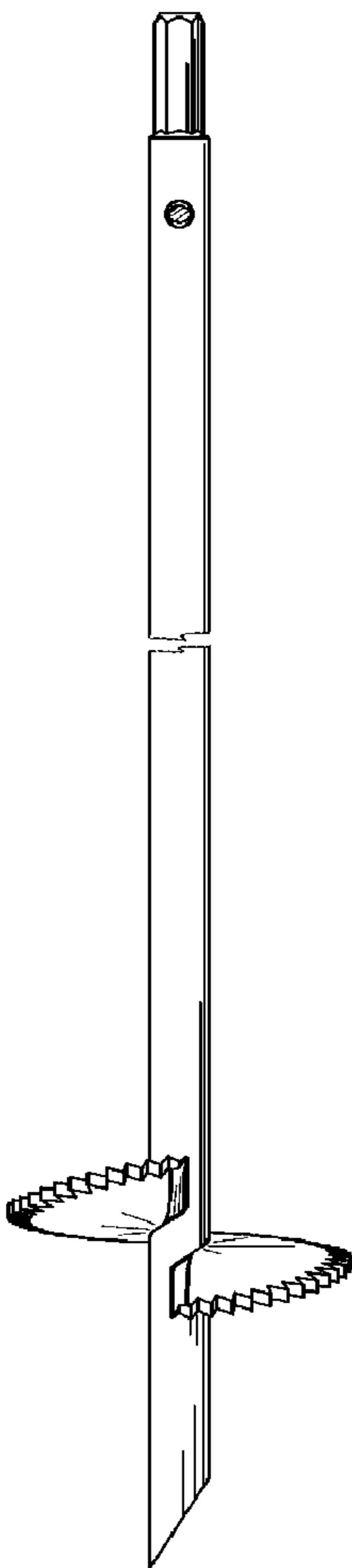


FIG. 8

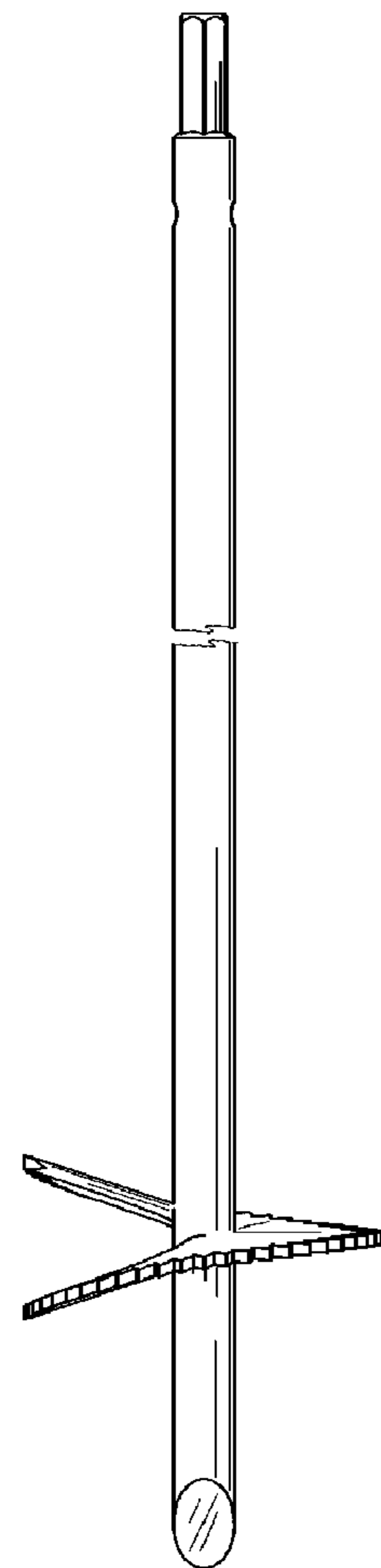


FIG. 9

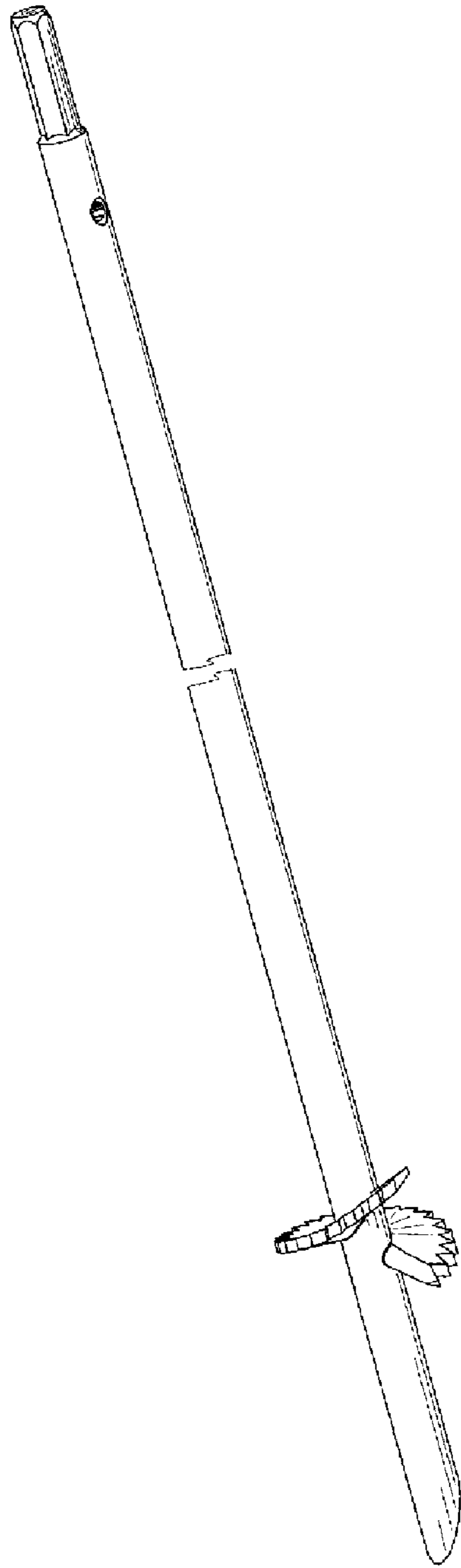


FIG. 10

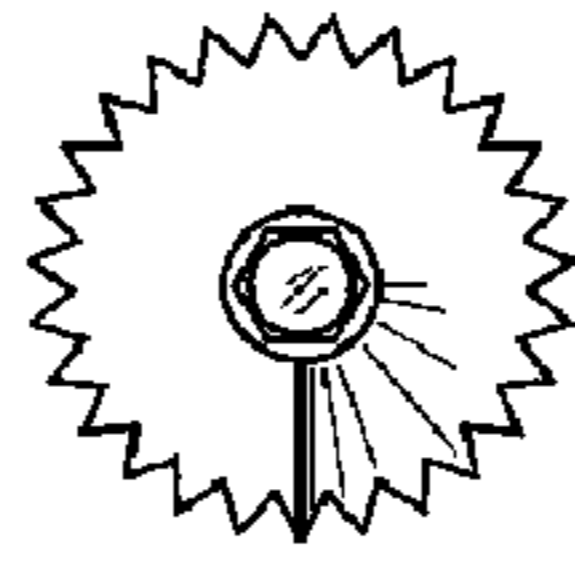


FIG. 11

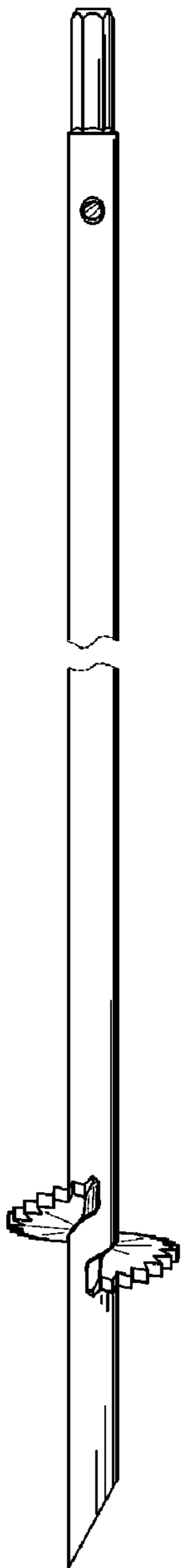


FIG. 12

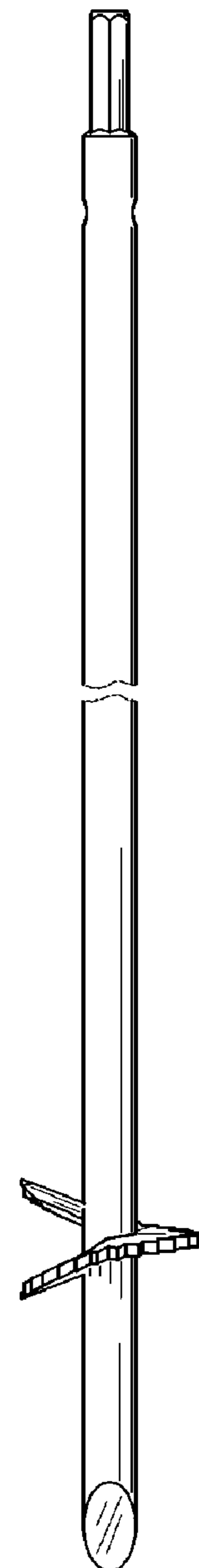


FIG. 13

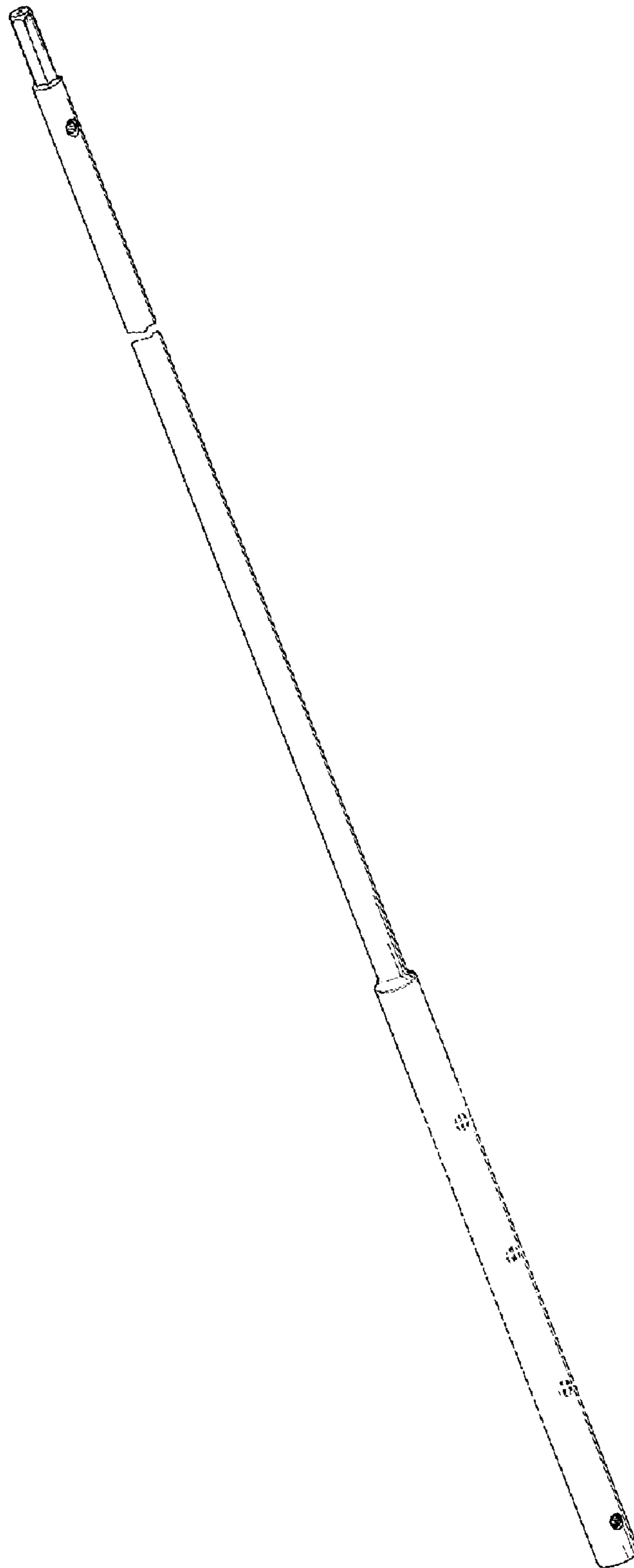


FIG. 14

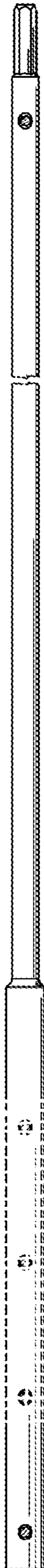


FIG. 15

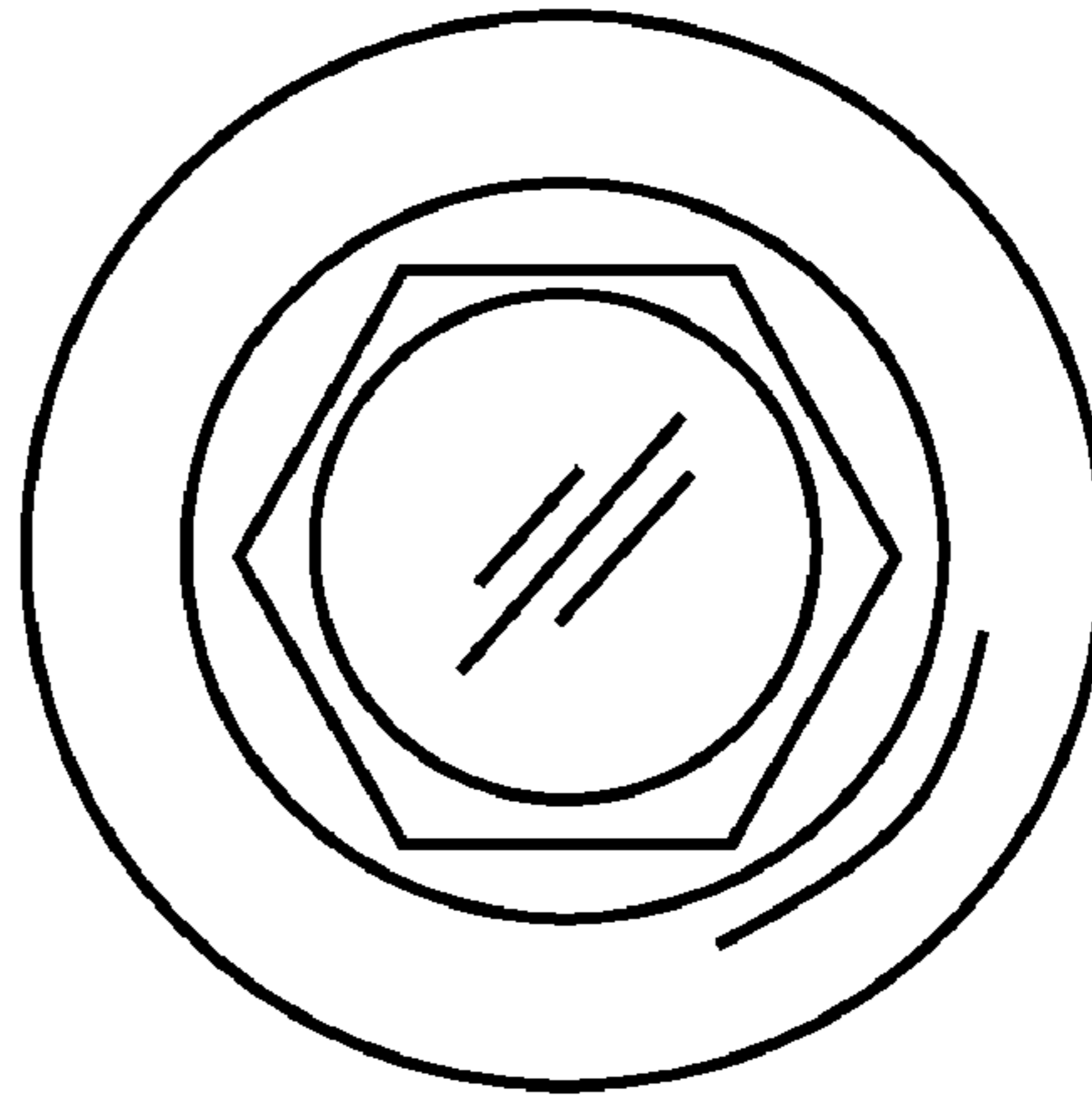


FIG. 16

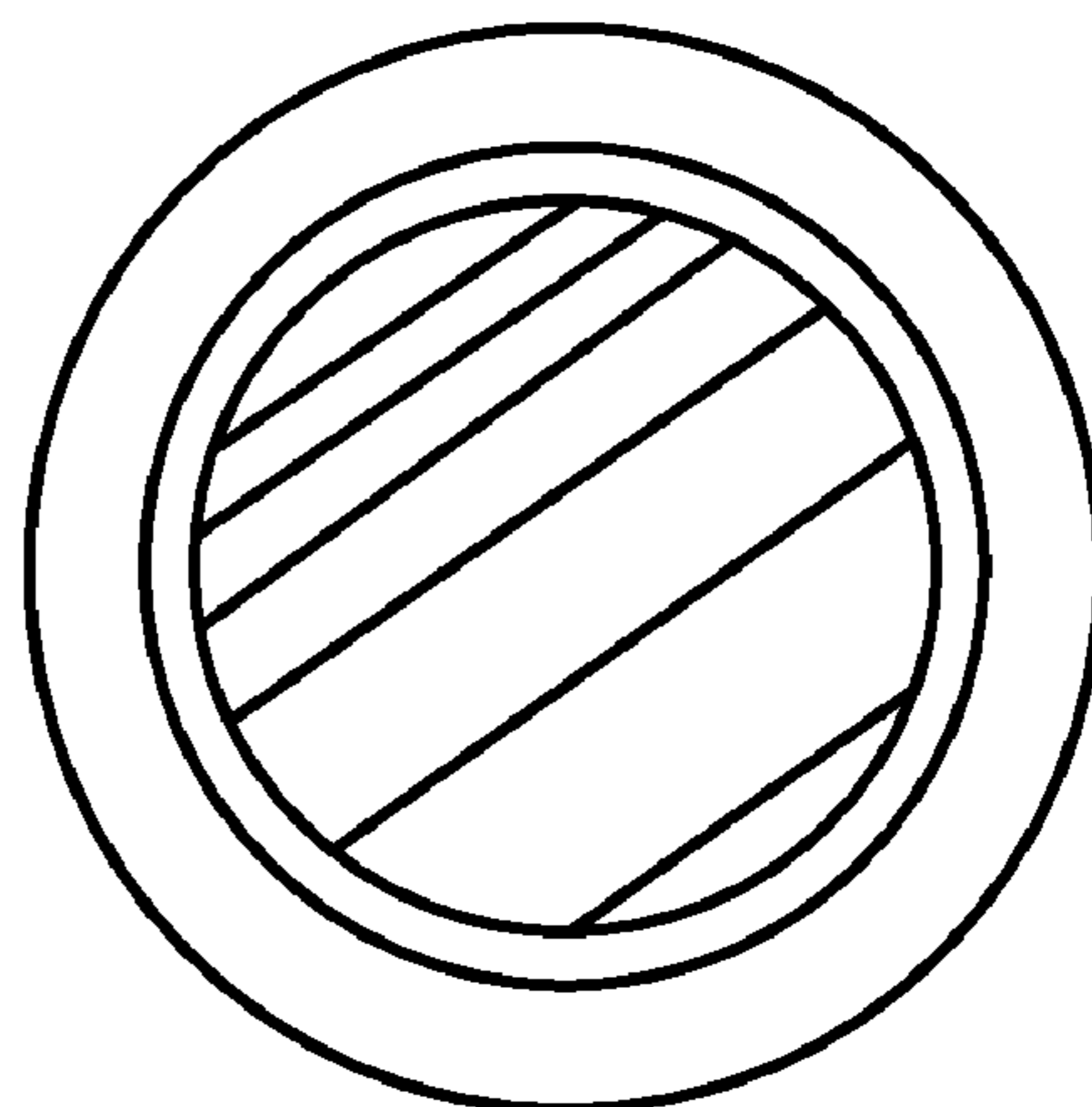


FIG. 17