



US00D624368S

(12) **United States Design Patent**  
**Paslawski**

(10) **Patent No.:** **US D624,368 S**

(45) **Date of Patent:** **\*\* Sep. 28, 2010**

(54) **CAN HOLDER**

(75) Inventor: **Ray N. Paslawski**, Wildwood, MO (US)

(73) Assignee: **Positive Outcomes, Inc.**, Wildwood, MO (US)

(\*\*) Term: **14 Years**

(21) Appl. No.: **29/352,317**

(22) Filed: **Dec. 18, 2009**

(51) **LOC (9) Cl.** ..... **07-01**

(52) **U.S. Cl.** ..... **D7/625; D7/606**

(58) **Field of Classification Search** ..... D7/603–608,  
D7/619.1–625, 509–511, 514; 206/217;  
215/12.1, 12.2, 13.1; 428/11, 542.4; 473/569–615;  
D21/712

See application file for complete search history.

(56) **References Cited**

**U.S. PATENT DOCUMENTS**

4,164,284	A	*	8/1979	Witt et al.	.....	206/217
D351,971	S	*	11/1994	Cappola	.....	D7/625
D371,934	S	*	7/1996	Cwirko	.....	D7/515
D411,715	S	*	6/1999	Hansen	.....	D7/606
D425,757	S	*	5/2000	Printz et al.	.....	D7/510
D433,880	S	*	11/2000	Herrera	.....	D7/625
D442,833	S	*	5/2001	Shuman	.....	D7/608

D452,120	S	*	12/2001	Brangle et al.	.....	D7/606
D511,212	S	*	11/2005	Whalen	.....	D7/606
D517,869	S	*	3/2006	Graves et al.	.....	D7/612
D541,111	S	*	4/2007	Morgan et al.	.....	D7/625

\* cited by examiner

*Primary Examiner*—Terry A Wallace

(57) **CLAIM**

The ornamental design for a can holder, as shown and described.

**DESCRIPTION**

FIG. 1 is a perspective view of a can holder according to an embodiment of the present invention;

FIG. 2 is a front view of a can holder according to an embodiment of the present invention;

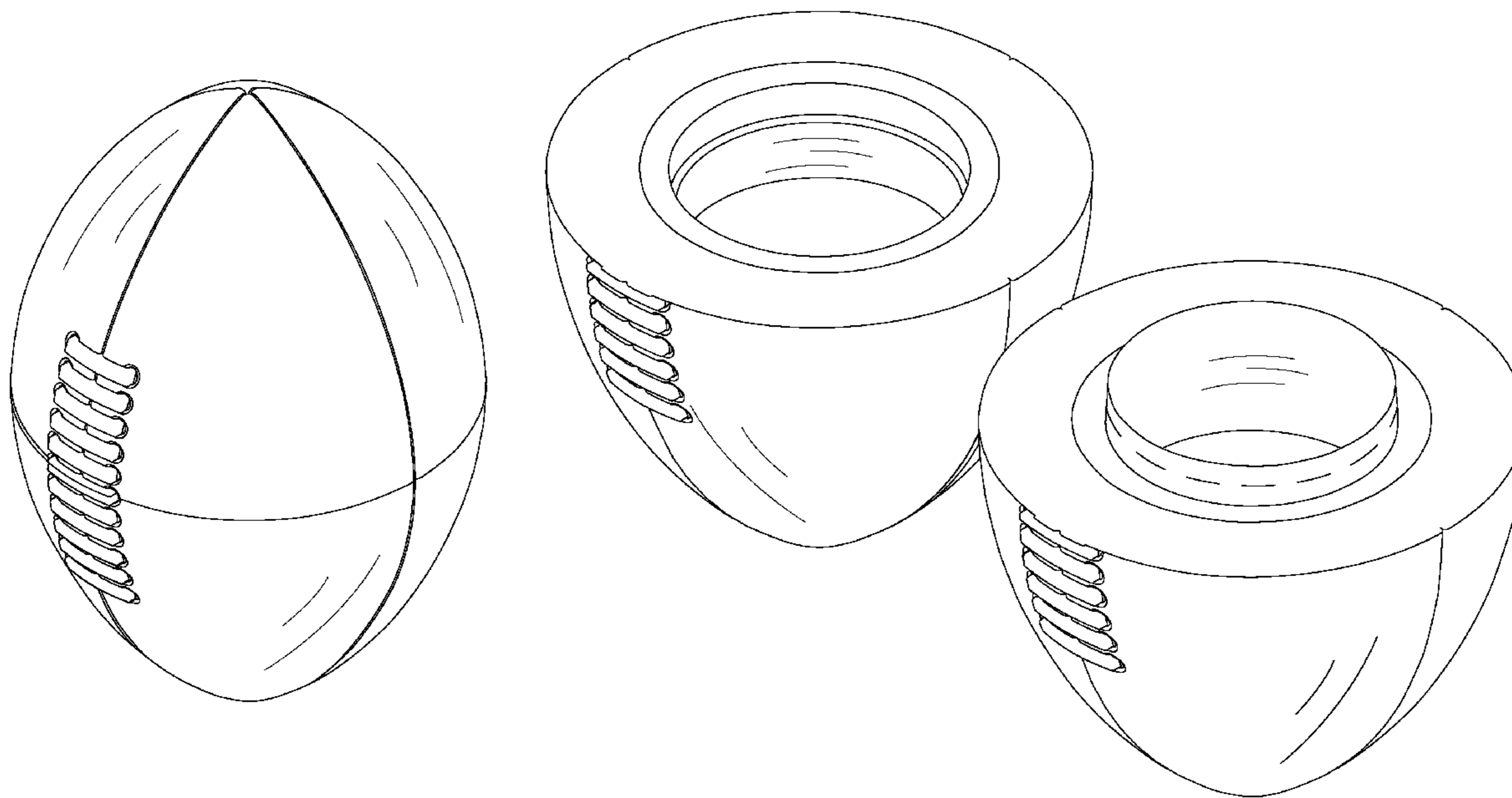
FIG. 3 is a side view of a can holder according to an embodiment of the present invention;

FIG. 4 is a perspective view of a can holder according to an embodiment of the present invention;

FIG. 5 is a front view of a can holder according to an embodiment of the present invention; and,

FIG. 6 is a top view of a can holder according to an embodiment of the present invention.

**1 Claim, 6 Drawing Sheets**



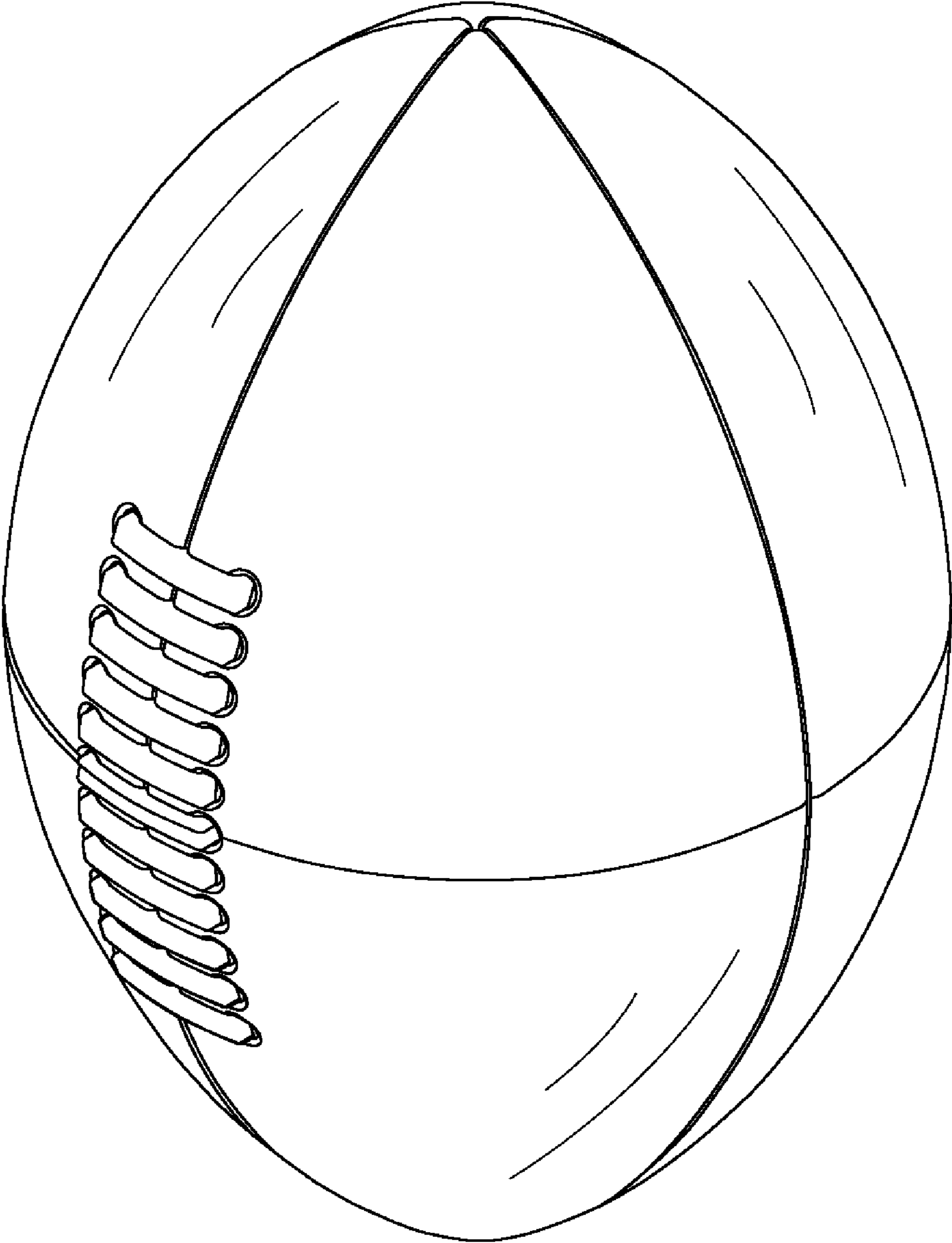


Fig. 1

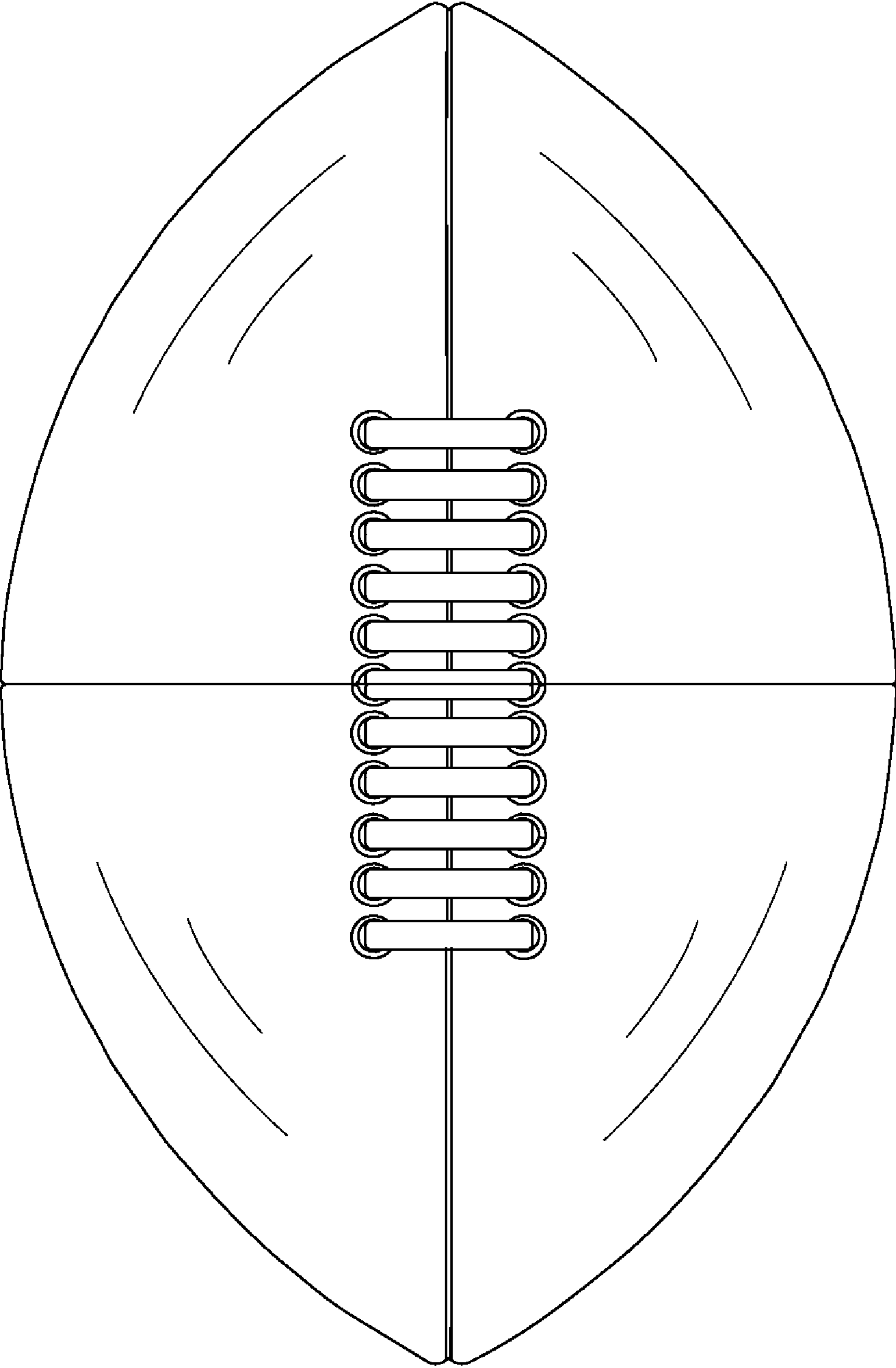


Fig. 2

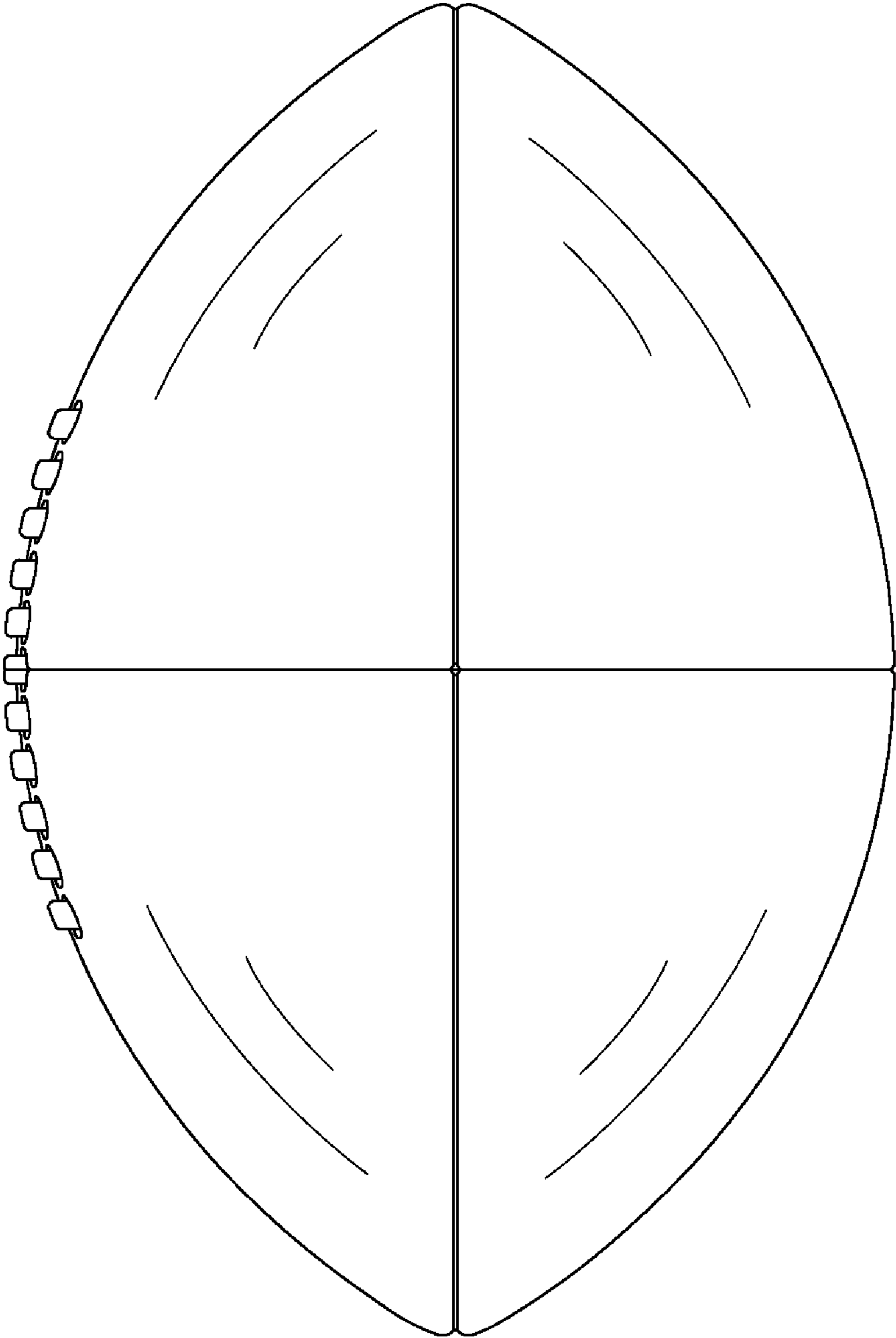


Fig.3

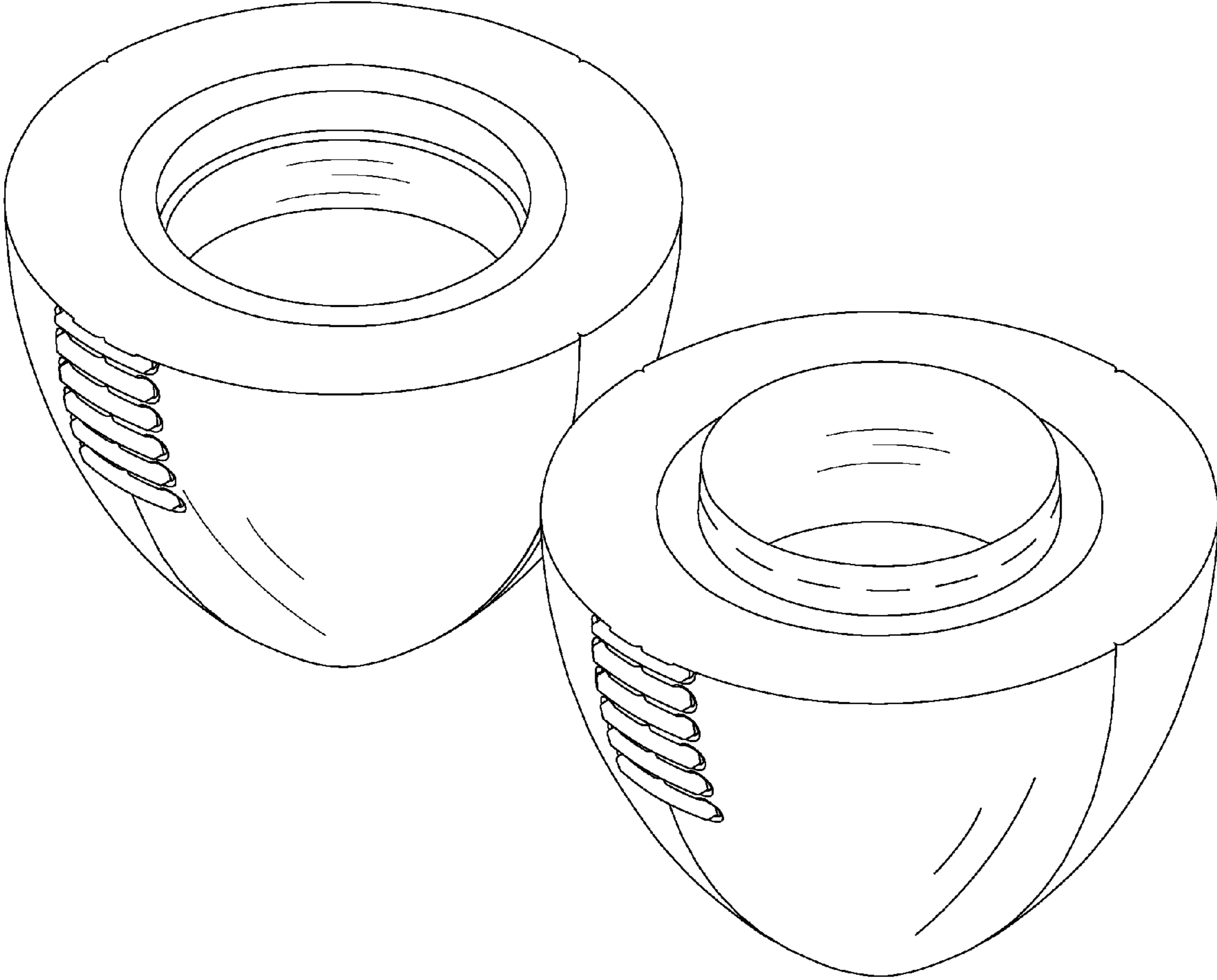


Fig 4

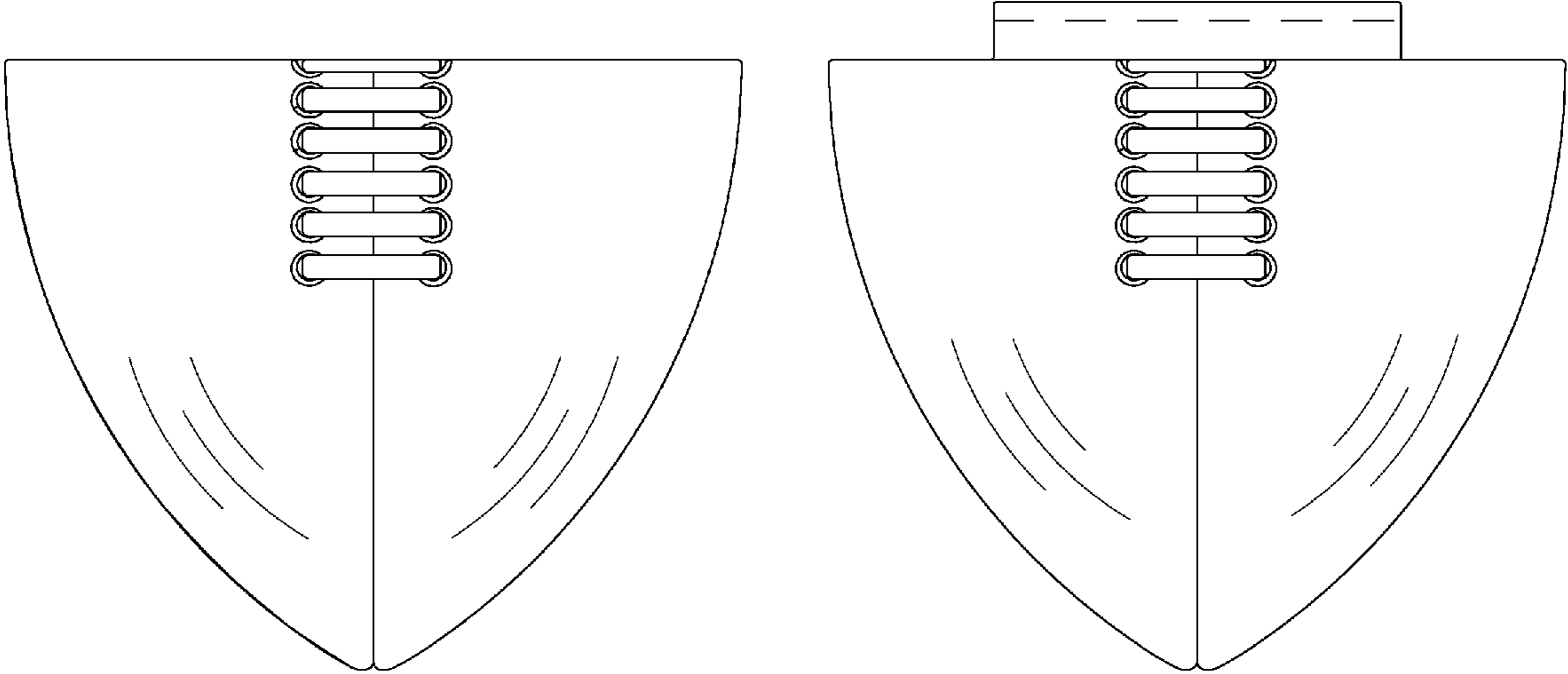


Fig 5

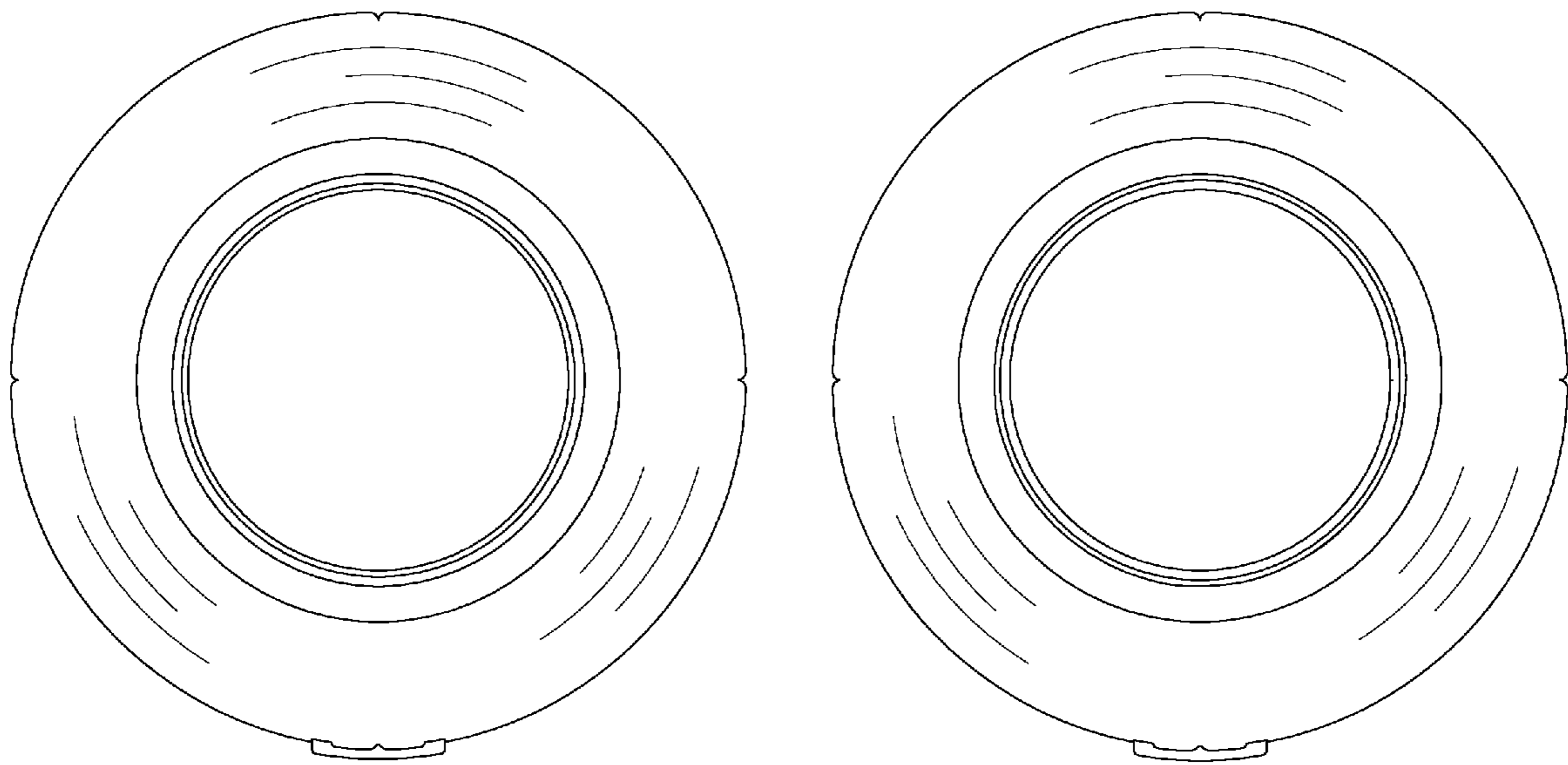


Fig 6