



US00D624363S

(12) **United States Design Patent**
Alviar et al.

(10) **Patent No.:** **US D624,363 S**
(45) **Date of Patent:** **** Sep. 28, 2010**

(54) **BEVERAGE CONTAINER**

(75) Inventors: **Christopher G. Alviar**, Seattle, WA (US); **Josh Kornfeld**, Seattle, WA (US); **Jared Randall**, Seattle, WA (US)

(73) Assignee: **Pacific Market International, LLC**, Seattle, WA (US)

(**) Term: **14 Years**

(21) Appl. No.: **29/356,037**

(22) Filed: **Feb. 18, 2010**

Related U.S. Application Data

(62) Division of application No. 29/340,844, filed on Jul. 27, 2009, now Pat. No. Des. 610,871, which is a division of application No. 29/296,292, filed on Oct. 17, 2007, now Pat. No. Des. 599,168.

(51) **LOC (9) Cl.** **07-01**

(52) **U.S. Cl.** **D7/510; D7/511; D7/396.2**

(58) **Field of Classification Search** D7/507-511, D7/523, 615, 396.2, 608; D9/538, 522, 504, D9/905, 724, 609, 500, 615; D19/85; 215/12.1; 222/144.5; 229/5.5; 220/592.27; D3/264
See application file for complete search history.

(56) **References Cited**

U.S. PATENT DOCUMENTS

D67,869 S	7/1925	Boswell	
1,832,806 A	11/1931	Dawson	
D112,950 S *	1/1939	Rubin D9/502
2,162,853 A	6/1939	Massey	
D120,587 S	5/1940	Hinkins	
2,851,991 A *	9/1958	Rinck 119/719
2,899,098 A *	8/1959	Gits 220/592.17
3,476,277 A	11/1969	Rownd	
3,769,899 A	11/1973	Kostko	
D237,853 S	12/1975	Katz	
4,136,799 A	1/1979	Albert	
D274,209 S	6/1984	Kikuchi	
D278,121 S *	3/1985	Sussman D9/504

D296,645 S	7/1988	Seeley	
D322,753 S *	12/1991	Sussman D9/504
D359,196 S	6/1995	Nichols	
D377,293 S *	1/1997	Husted D7/510
D379,714 S *	6/1997	Cerny et al. D3/264
D383,037 S	9/1997	Asberg	
D386,644 S *	11/1997	Orrico et al. D7/300
D390,002 S	2/1998	Brizard	
D399,392 S *	10/1998	Husted D7/511

(Continued)

OTHER PUBLICATIONS

U.S. Appl. No. 29/303,207, filed Feb. 1, 2008, Alviar, C.G.

(Continued)

Primary Examiner—Marianne Pandozzi
(74) *Attorney, Agent, or Firm*—Davis Wright Tremaine LLP; George C. Rondeau, Jr.

(57) **CLAIM**

The ornamental design for a beverage container, as shown and described.

DESCRIPTION

FIG. 1 is a front perspective view of a beverage container showing our new design.

FIG. 2 is a front elevational view thereof, the rear elevational view being a mirror image thereof.

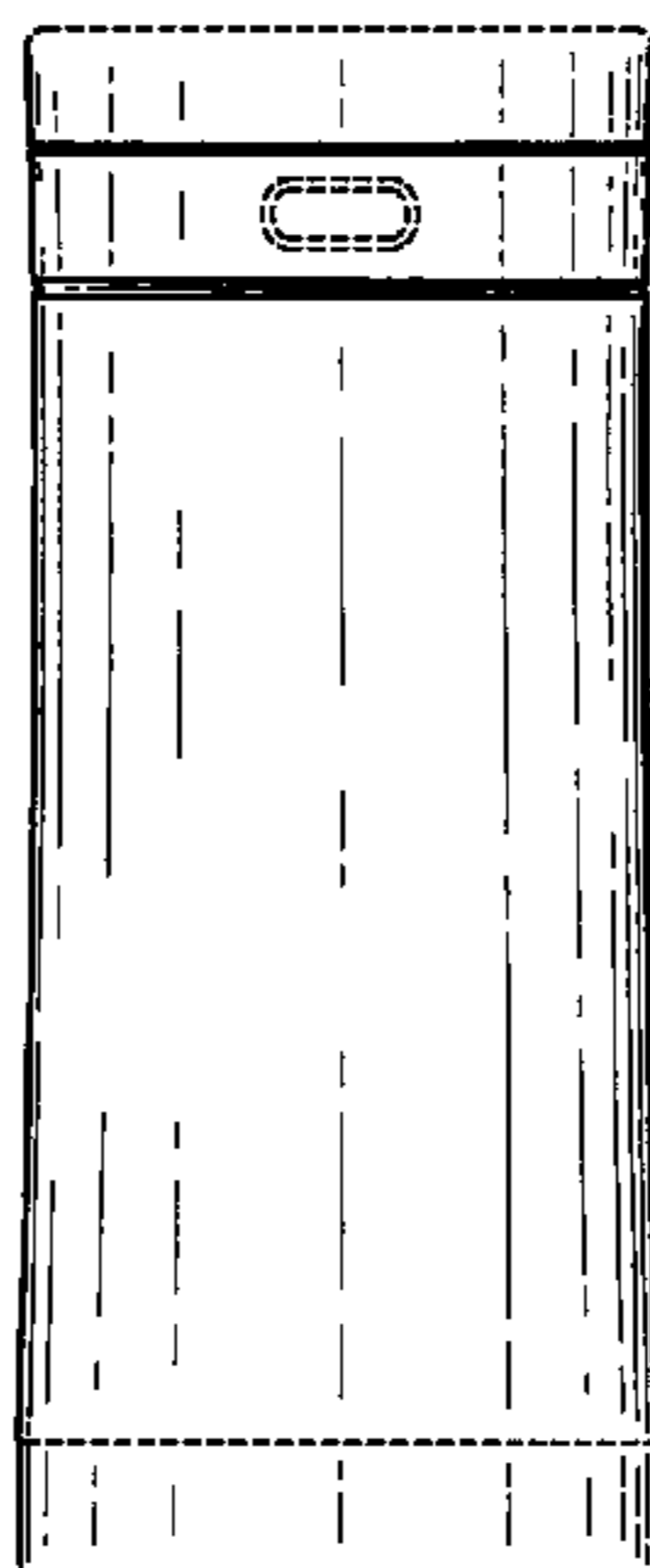
FIG. 3 is a right side elevational view thereof, the left side elevational view being a mirror image thereof.

FIG. 4 is a top plan view thereof; and,

FIG. 5 is a bottom plan view thereof.

The broken lines represent portions of the beverage container that form no part of the claim.

1 Claim, 4 Drawing Sheets



U.S. PATENT DOCUMENTS

D433,876 S * 11/2000 Freed D7/532
 D434,980 S * 12/2000 Suzuki D9/418
 D438,376 S * 3/2001 Marshall D3/257
 D446,122 S * 8/2001 Weinstein et al. D9/504
 D458,081 S 6/2002 Bodum
 D466,814 S * 12/2002 Hurlburt D9/504
 D467,131 S * 12/2002 Wright et al. D7/615
 D472,101 S * 3/2003 Janky D7/532
 D488,348 S 4/2004 Liu
 D491,800 S * 6/2004 Palomino, Jr. D9/520
 D497,778 S 11/2004 Rich
 D500,231 S 12/2004 Ward et al.
 D506,641 S 6/2005 Liu
 D519,322 S 4/2006 Hutton
 D523,340 S 6/2006 Westphal
 D529,388 S * 10/2006 Bakic D9/529
 D529,909 S * 10/2006 Daw et al. D14/346
 D530,375 S * 10/2006 McKnight D19/85
 D530,572 S * 10/2006 Daams D7/615
 D531,452 S 11/2006 Toth
 D532,308 S * 11/2006 Davies et al. D9/522
 D533,308 S * 12/2006 Kovac D28/63
 D534,396 S * 1/2007 Kramer D7/532
 D547,611 S 7/2007 Seum et al.
 D549,596 S * 8/2007 Ioannides et al. D9/776

D553,438 S 10/2007 Boehm
 D560,098 S 1/2008 Barducci
 D569,181 S 5/2008 Homma
 D569,251 S * 5/2008 Varlet D9/500
 D571,663 S * 6/2008 Bakic D9/500
 D573,404 S * 7/2008 Wahl D7/510
 D574,190 S * 8/2008 Homma D7/510
 D578,894 S * 10/2008 Seum et al. D9/529
 D579,720 S * 11/2008 Rohe D7/510
 D579,723 S * 11/2008 Williams D7/511
 D580,226 S * 11/2008 Homma D7/510
 D586,182 S * 2/2009 Trombly D7/510
 D592,909 S * 5/2009 Alviar et al. D7/510
 D599,168 S * 9/2009 Alviar et al. D7/510
 D611,764 S * 3/2010 Wahl et al. D7/507
 D615,359 S * 5/2010 George D7/510

OTHER PUBLICATIONS

U.S. Appl. No. 29/276,810, filed Feb. 6, 2007, Gilbert.
 U.S. Appl. No. 29/303,087, filed Jan. 31, 2008, Alviar et al.
 U.S. Appl. No. 29/302,061, filed Jan. 9, 2008, Alviar et al.
 U.S. Appl. No. 29/280,377, filed May 24, 2007, Wahl.
 U.S. Appl. No. 29/296,131, filed Oct. 15, 2007, Alviar et al.
 U.S. Appl. No. 29/296,292, filed Oct. 17, 2007, Alviar et al.

* cited by examiner

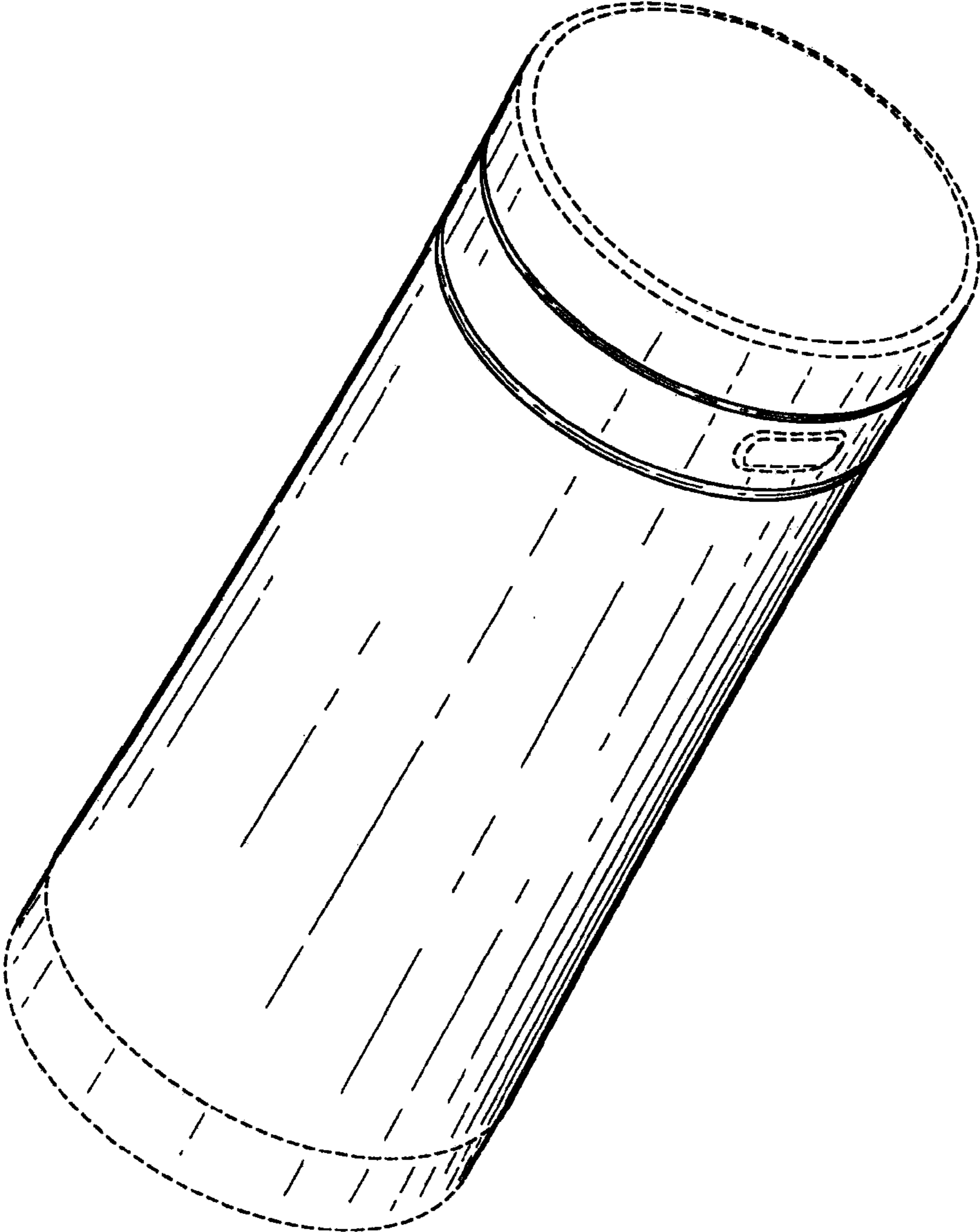


Fig. 1

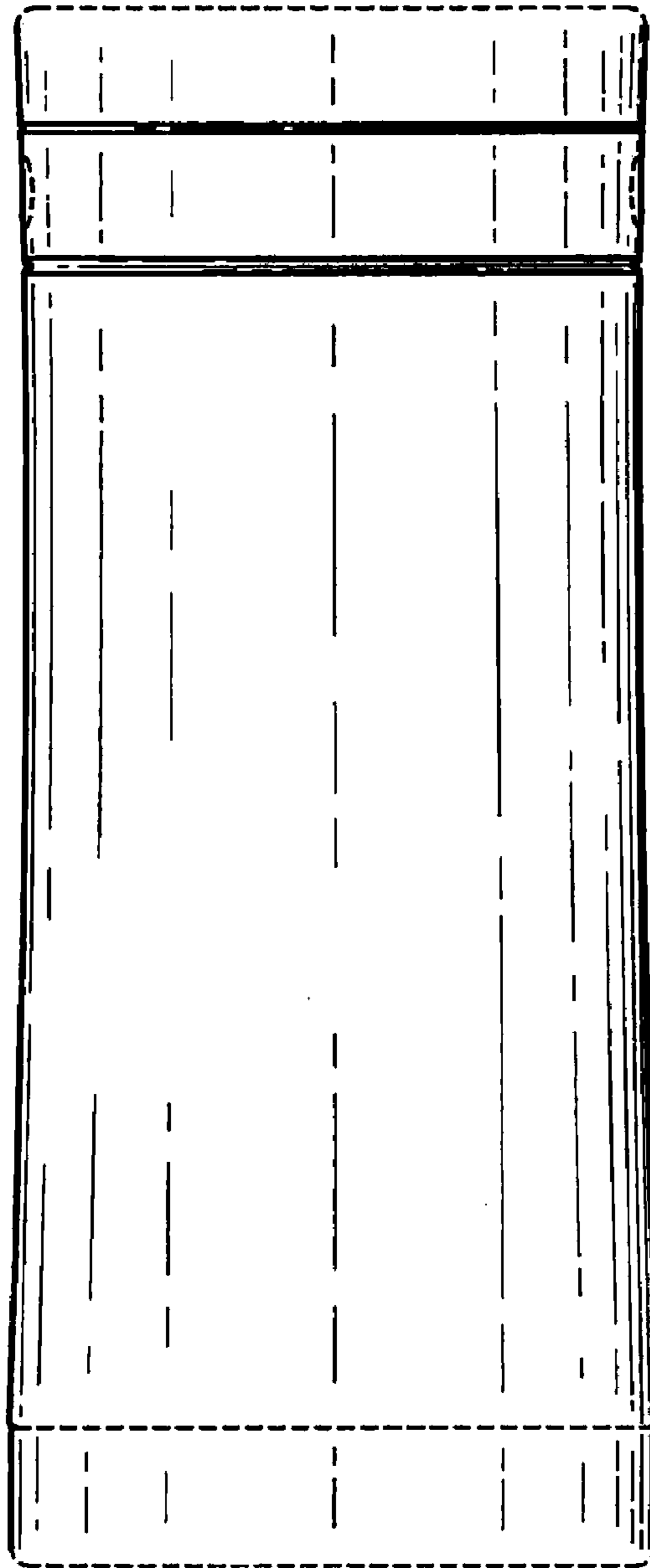


Fig. 2

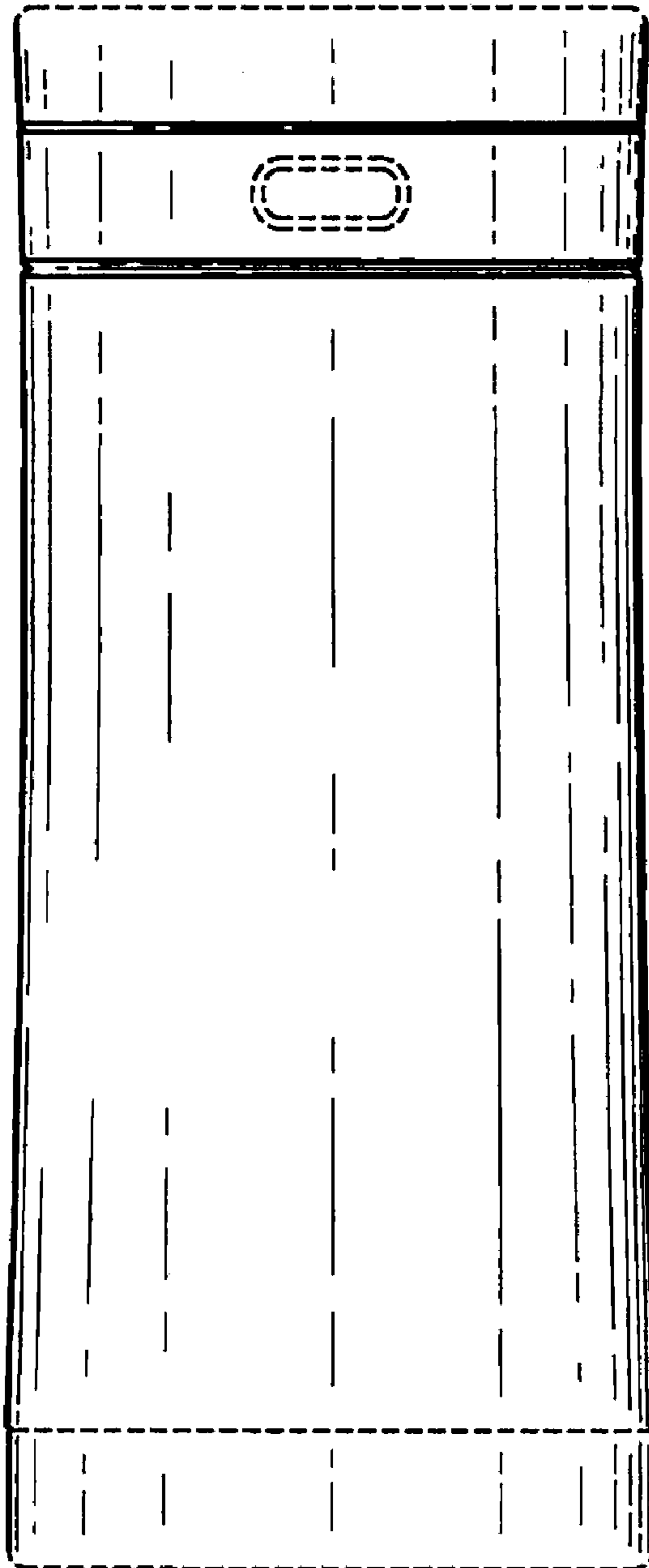


Fig. 3

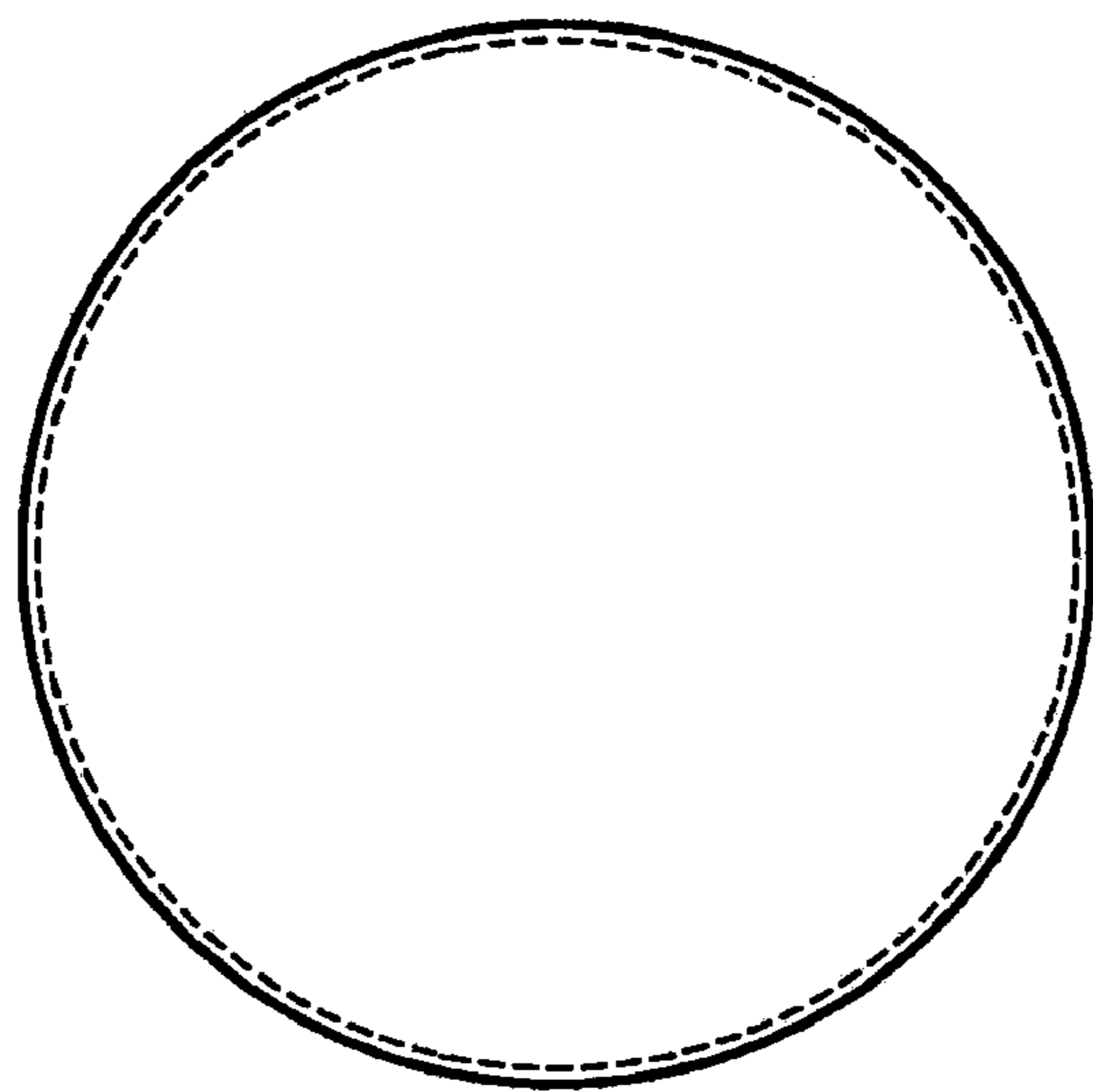


Fig 4

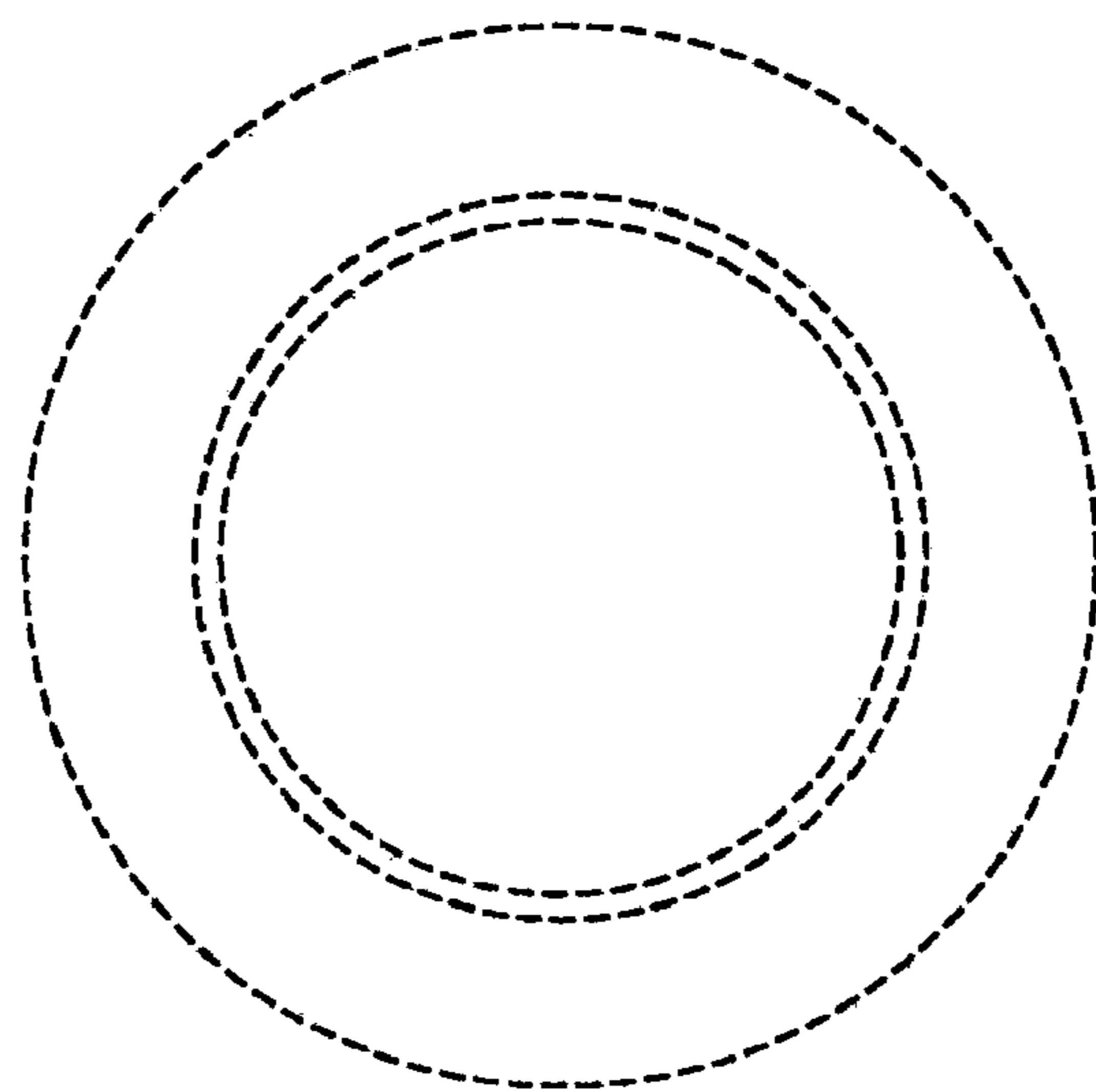


Fig 5