



US00D624360S

(12) **United States Design Patent**
Leavelle

(10) **Patent No.:** **US D624,360 S**

(45) **Date of Patent:** **** Sep. 28, 2010**

(54) **LAZY SUSAN**

(76) **Inventor:** **James P. Leavelle**, 8080 Carriage Hills Dr., Mentor, OH (US) 44060

(**) **Term:** **14 Years**

(21) **Appl. No.:** **29/341,450**

(22) **Filed:** **Aug. 5, 2009**

(51) **LOC (9) Cl.** **07-01**

(52) **U.S. Cl.** **D7/501; D7/553.6; D7/706**

(58) **Field of Classification Search** D7/555-557, D7/553.6, 501, 598, 701, 590, 566, 567, 584, D7/553.1, 564, 571, 706, 554.1; D9/424; D11/164, 152; D6/403, 469; D19/77, 85; 220/23.8, 575, 501; 211/77, 129.1, 131.1; 101/407.1; 108/94; 206/214

See application file for complete search history.

(56) **References Cited**

U.S. PATENT DOCUMENTS

855,565	A *	6/1907	Greenhouse	206/562
D91,971	S *	4/1934	Scurlock	D7/614
D93,210	S *	9/1934	Friedlander	D7/706
D129,530	S *	9/1941	Manaster	D7/706
2,281,849	A *	5/1942	McCoppin	211/77
D232,793	S *	9/1974	Bennett	D6/469
3,964,629	A *	6/1976	McCabe	220/23.86
D259,230	S *	5/1981	Snyder	D7/590
D292,161	S *	10/1987	Spolter et al.	D7/553.6
D293,640	S *	1/1988	Perry et al.	D7/553.6
4,972,947	A *	11/1990	McCarthy	206/214
D312,949	S *	12/1990	Persch	D7/598

5,425,460	A *	6/1995	Barbarian	211/77
D393,775	S *	4/1998	Otero	D7/553.6
D510,388	S *	10/2005	Siegel	D19/77
D542,600	S *	5/2007	James	D7/553.6
D566,474	S *	4/2008	Ray	D7/554.1
D567,585	S *	4/2008	Kovach	D7/501

* cited by examiner

Primary Examiner—Robert M Spear

Assistant Examiner—Cynthia Underwood

(74) *Attorney, Agent, or Firm*—QuickPatents, Inc.; Kevin Prince

(57) **CLAIM**

I claim the ornamental design for a lazy susan, as shown and described.

DESCRIPTION

FIG. 1 is a perspective view of a lazy susan, showing my new design;

FIG. 2 is a front elevational view thereof;

FIG. 3 is a rear elevational view thereof;

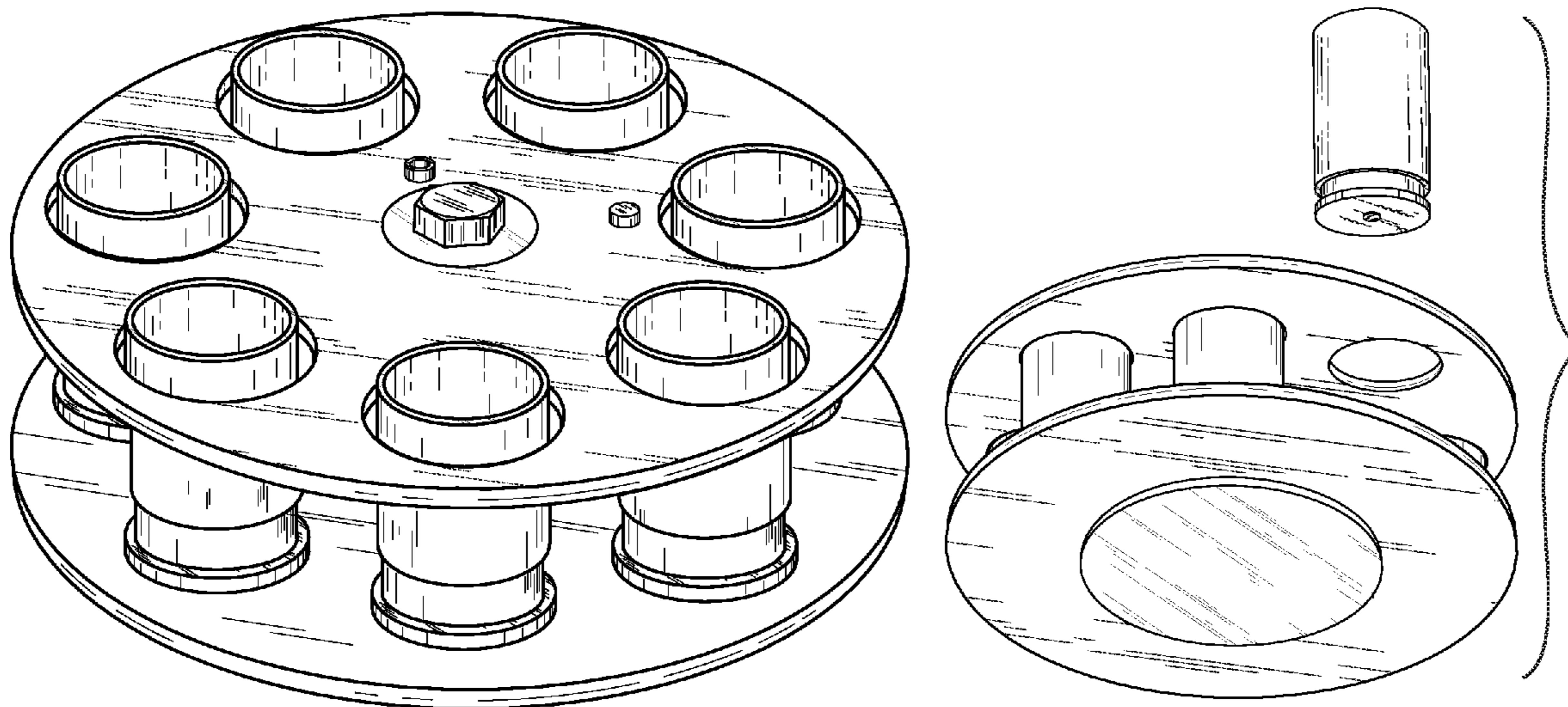
FIG. 4 is a left-side elevational view thereof;

FIG. 5 is a right-side elevational view thereof;

FIG. 6 is a top plan view thereof, the broken lines representing parts of the structure that form no part of the claim; and,

FIG. 7 is an alternate exploded perspective view thereof, illustrating a shot glass of the design as removed from a lazy susan portion thereof.

1 Claim, 2 Drawing Sheets



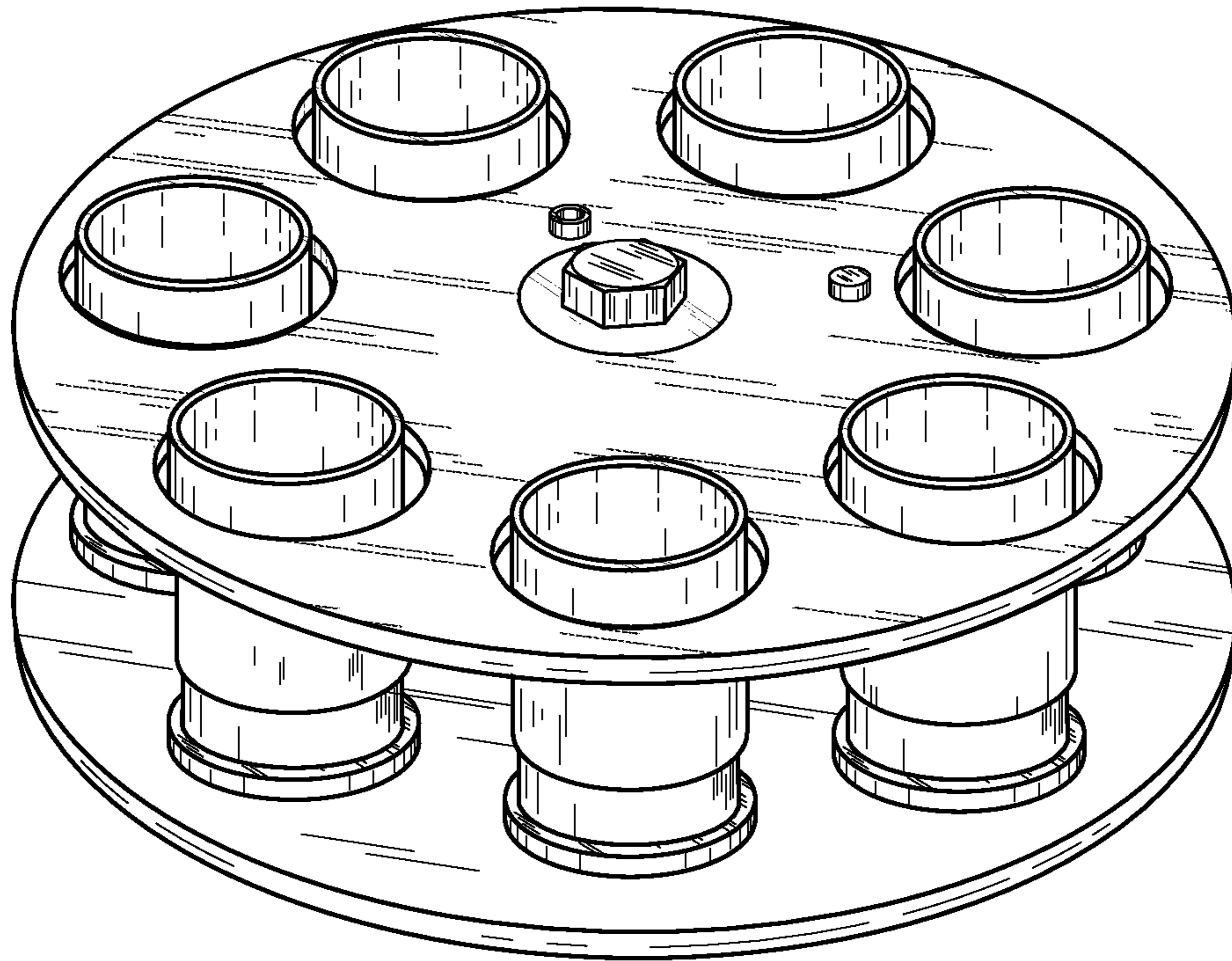


FIG. 1

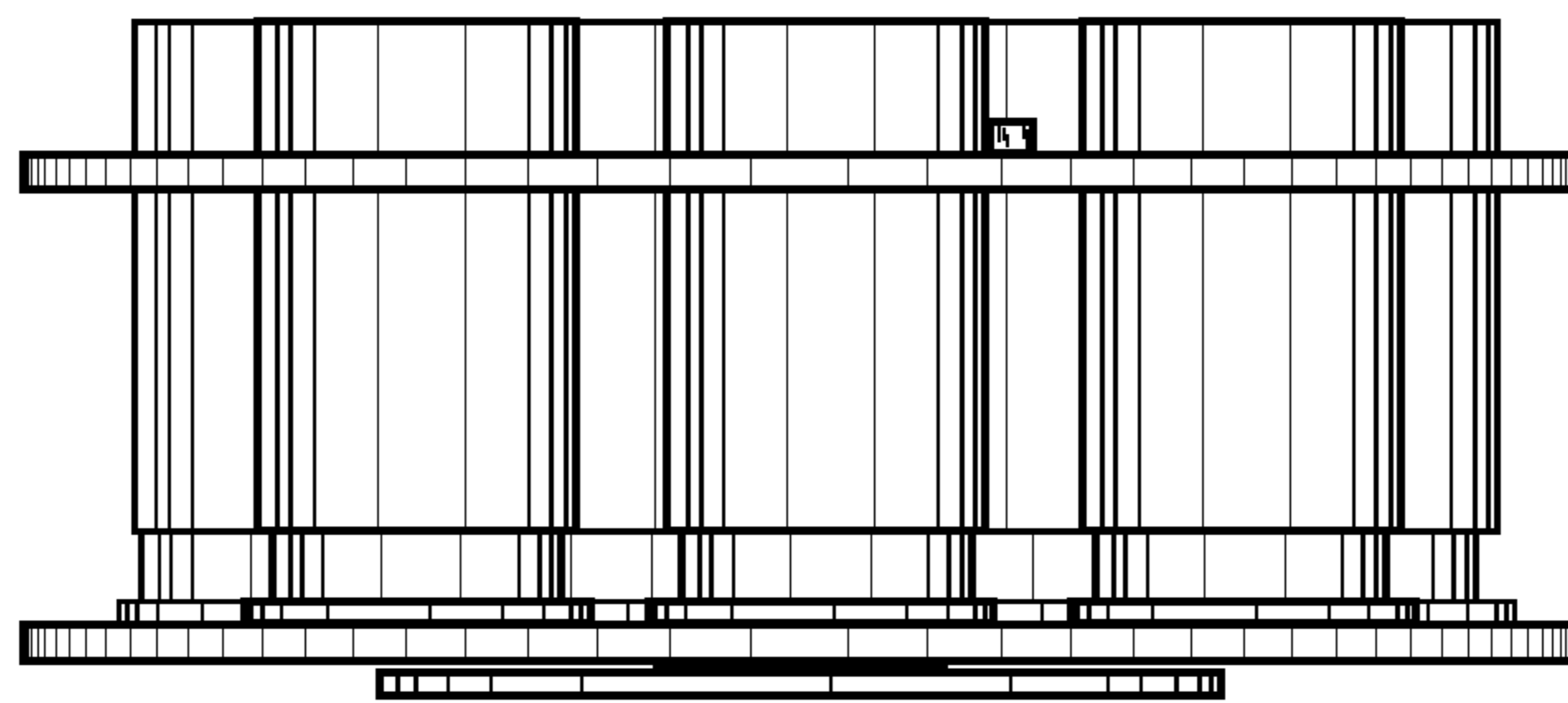


FIG. 2

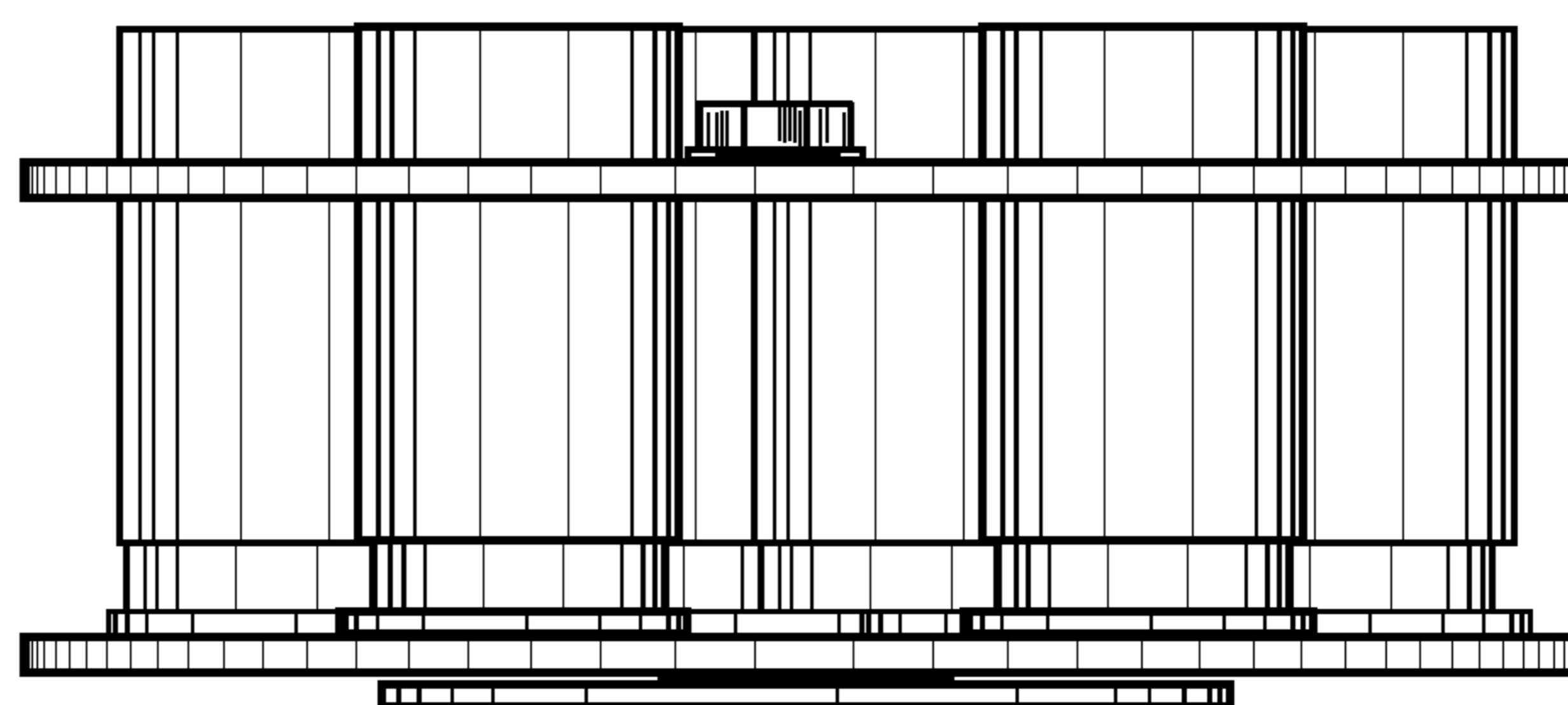


FIG. 3

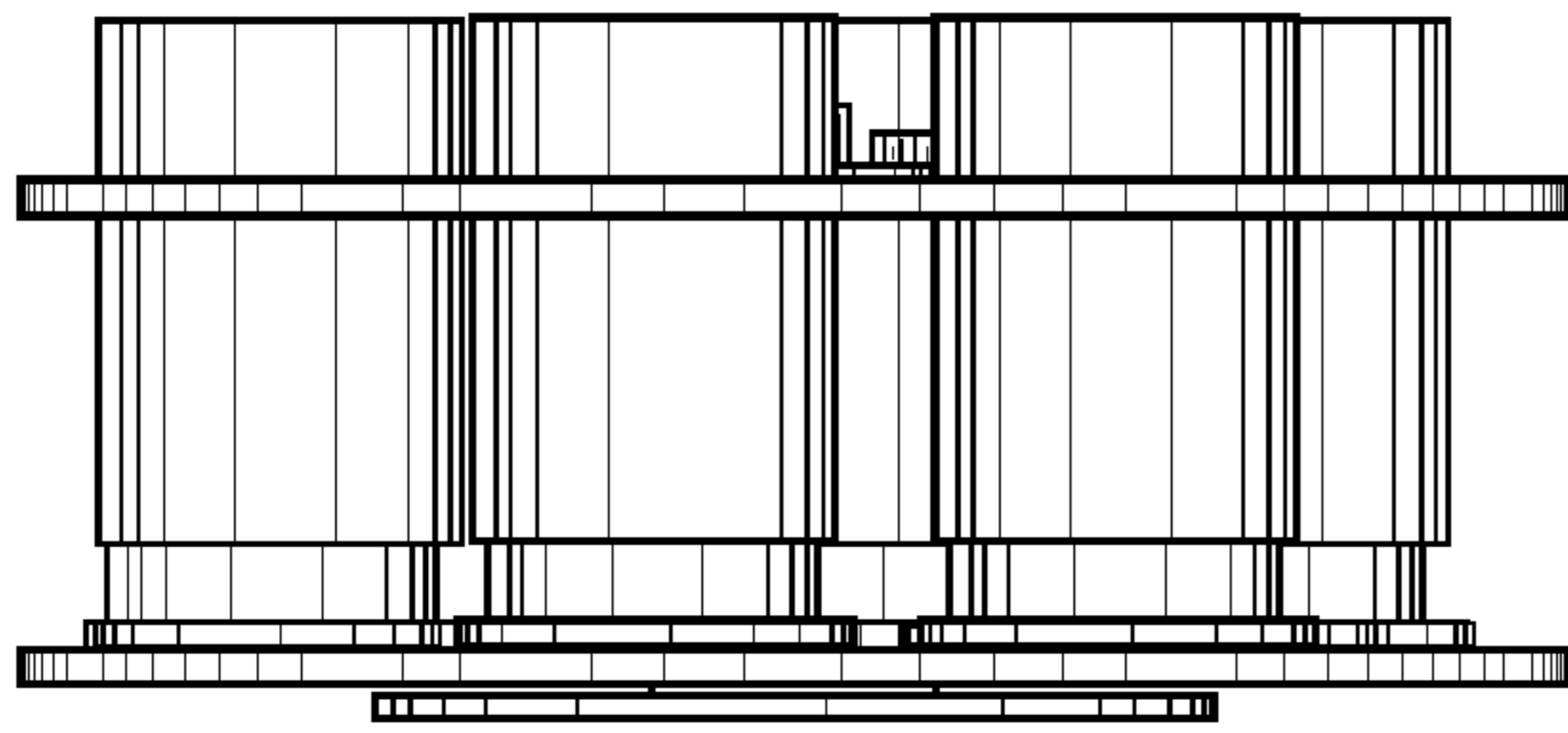


FIG. 4

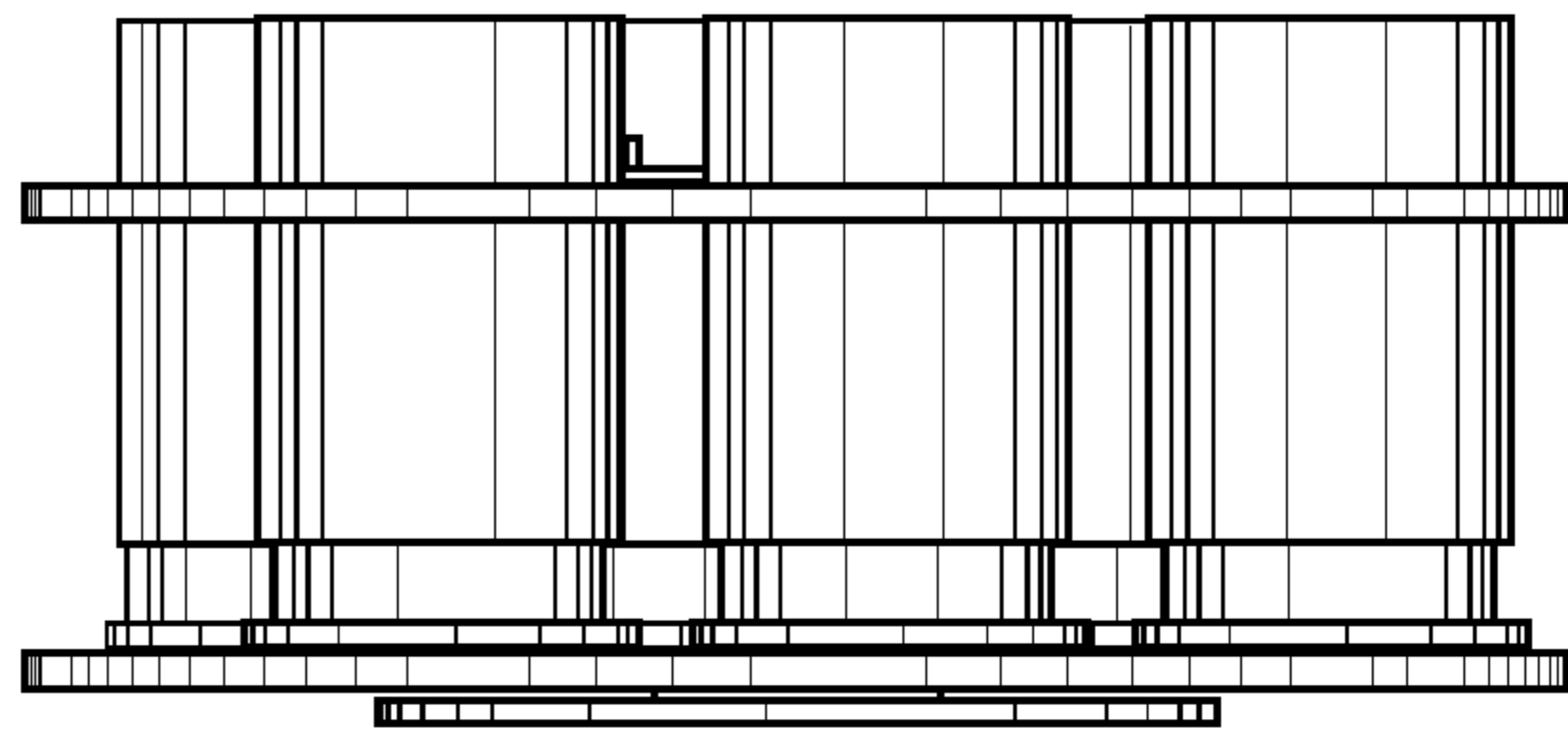


FIG. 5

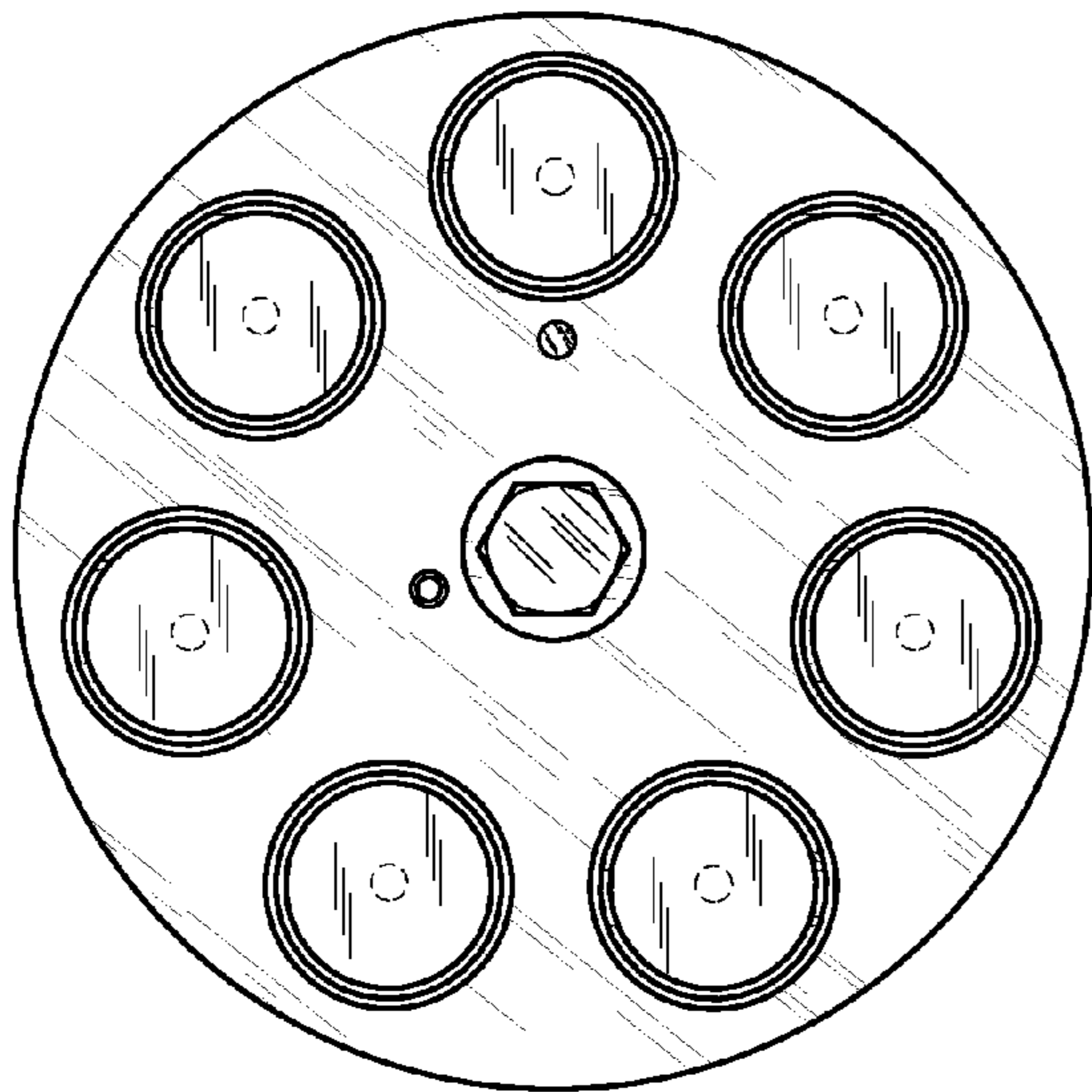


FIG. 6

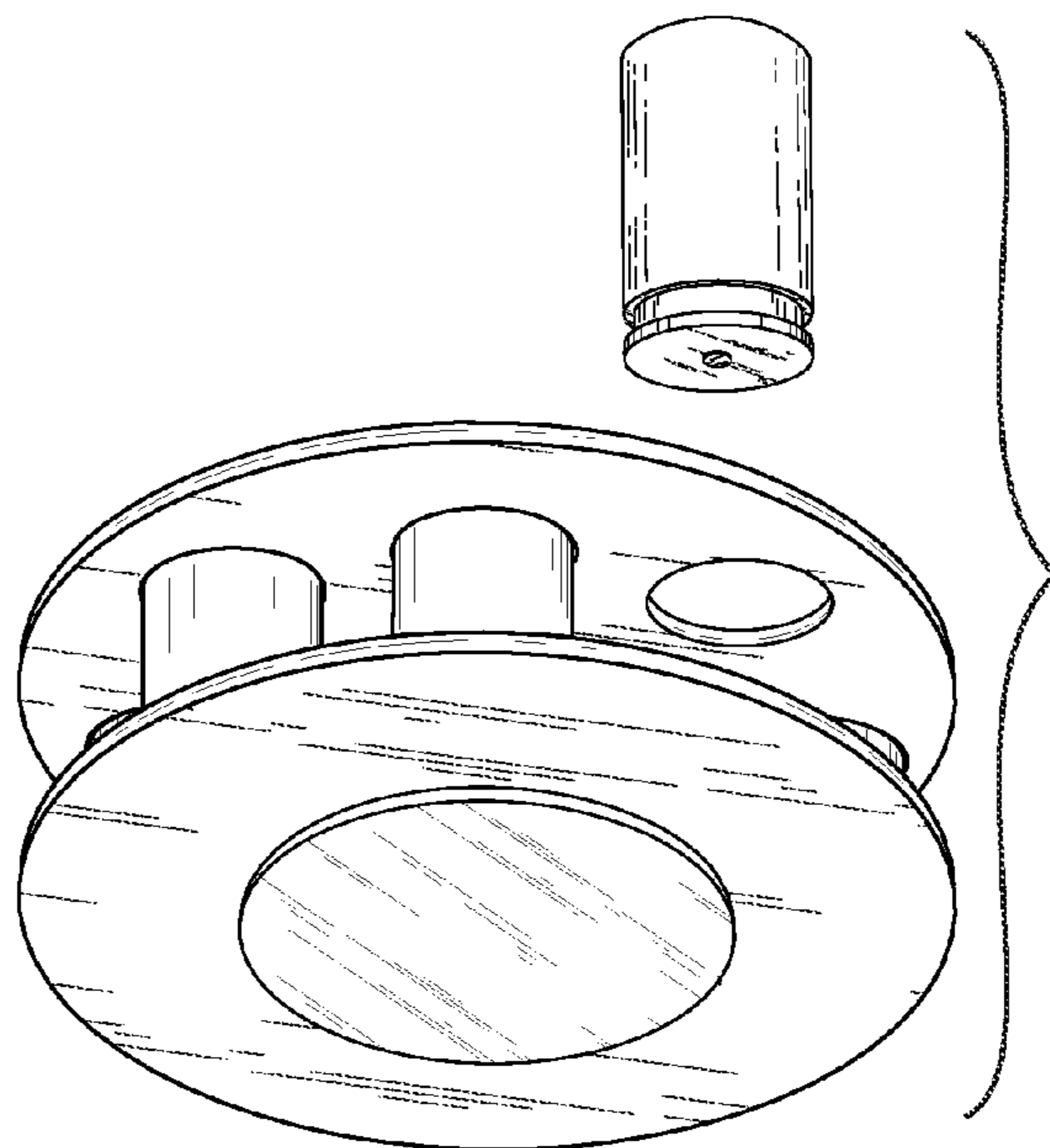


FIG. 7