



US00D624359S

(12) **United States Design Patent**
Schleinzer

(10) **Patent No.:** **US D624,359 S**

(45) **Date of Patent:** **** Sep. 28, 2010**

(54) **SMOOTHIE MAKER BLADES**

(76) Inventor: **Werner Schleinzer**, Wienerstr. 42,
Laxenburg (AT) 2361

(**) Term: **14 Years**

(21) Appl. No.: **29/355,360**

(22) Filed: **Feb. 5, 2010**

(30) **Foreign Application Priority Data**

Aug. 7, 2009 (EM) 001599143

(51) **LOC (9) Cl.** **07-02**

(52) **U.S. Cl.** **D7/412; D7/384**

(58) **Field of Classification Search** D7/317-318,
D7/356, 372-386, 412-415, 665; 99/348,
99/509-511; 241/30-37.5, 101.01-101.2,
241/166-169.1, 274-278.2, 285.1-285.3,
241/291, 292.1; 366/64-67, 98, 129, 142,
366/192, 197-211, 203-207, 241-254, 279-292,
366/341-347

See application file for complete search history.

(56) **References Cited**

U.S. PATENT DOCUMENTS

2,771,111 A * 11/1956 Seyfried 241/292.1
D394,986 S * 6/1998 Lallemand D7/378
6,092,922 A * 7/2000 Kett et al. 366/205

6,666,574 B1 * 12/2003 Pryor 366/205
6,834,818 B2 * 12/2004 Lee 241/292.1
7,641,380 B2 * 1/2010 Behar et al. 366/205
2002/0139884 A1 * 10/2002 Williams et al. 241/282.1
2005/0099884 A1 * 5/2005 Lee 366/205
2008/0198691 A1 * 8/2008 Behar et al. 366/205

* cited by examiner

Primary Examiner—Caron Veynar

Assistant Examiner—Ricky Pham

(74) *Attorney, Agent, or Firm*—Teresa D. Tambolas;
Pattishall, McAuliffe, Newbury, Hilliard & Geraldson LLP

(57) **CLAIM**

The ornamental design for smoothie maker blades, as shown and described.

DESCRIPTION

FIG. 1 is a front, left perspective view of the smoothie maker blades;

FIG. 2 is a left elevation view thereof;

FIG. 3 is a front elevation view thereof;

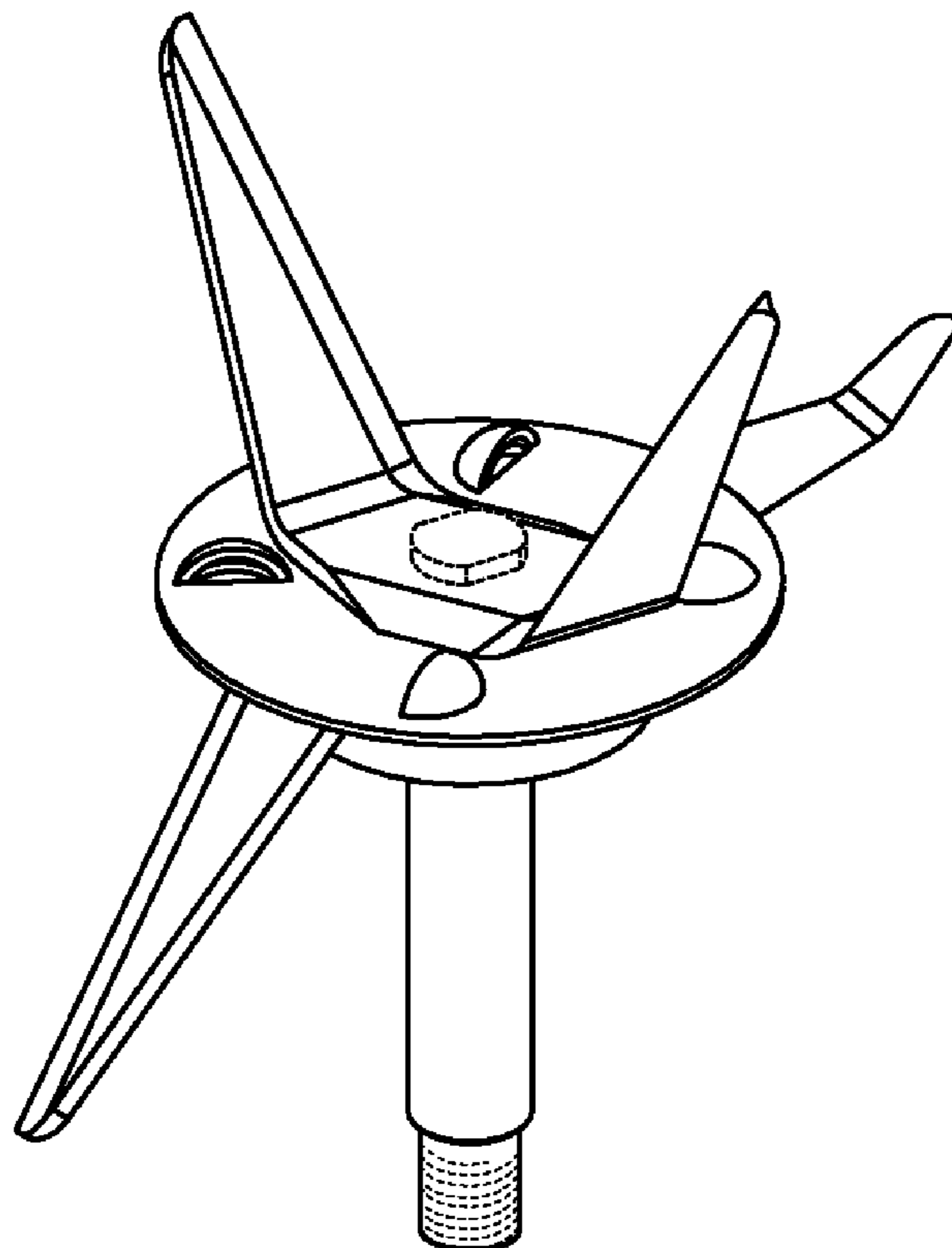
FIG. 4 is a right elevation view thereof;

FIG. 5 is a back elevation view thereof;

FIG. 6 is a top view thereof; and,

FIG. 7 is a bottom view thereof.

1 Claim, 3 Drawing Sheets



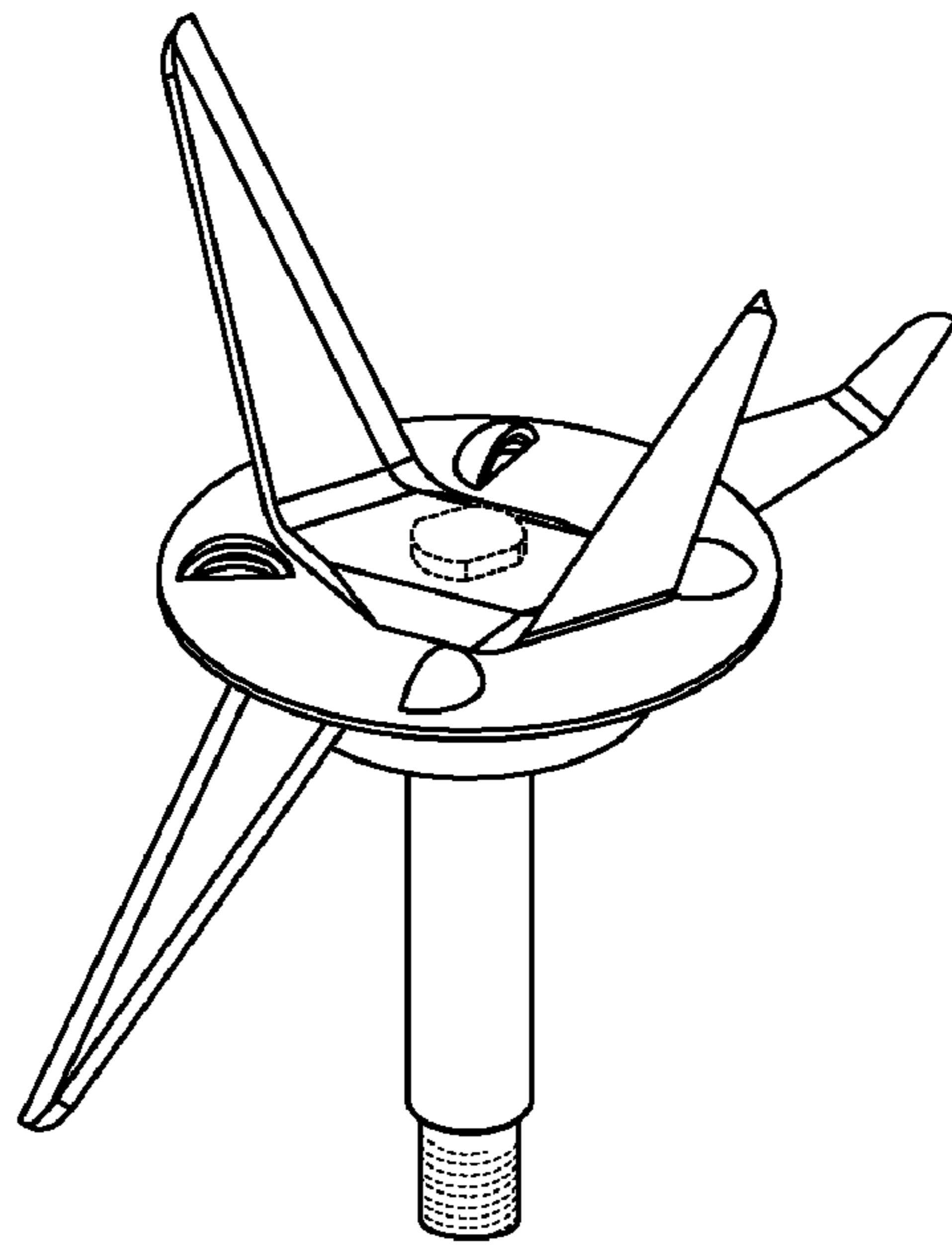


Fig. 1

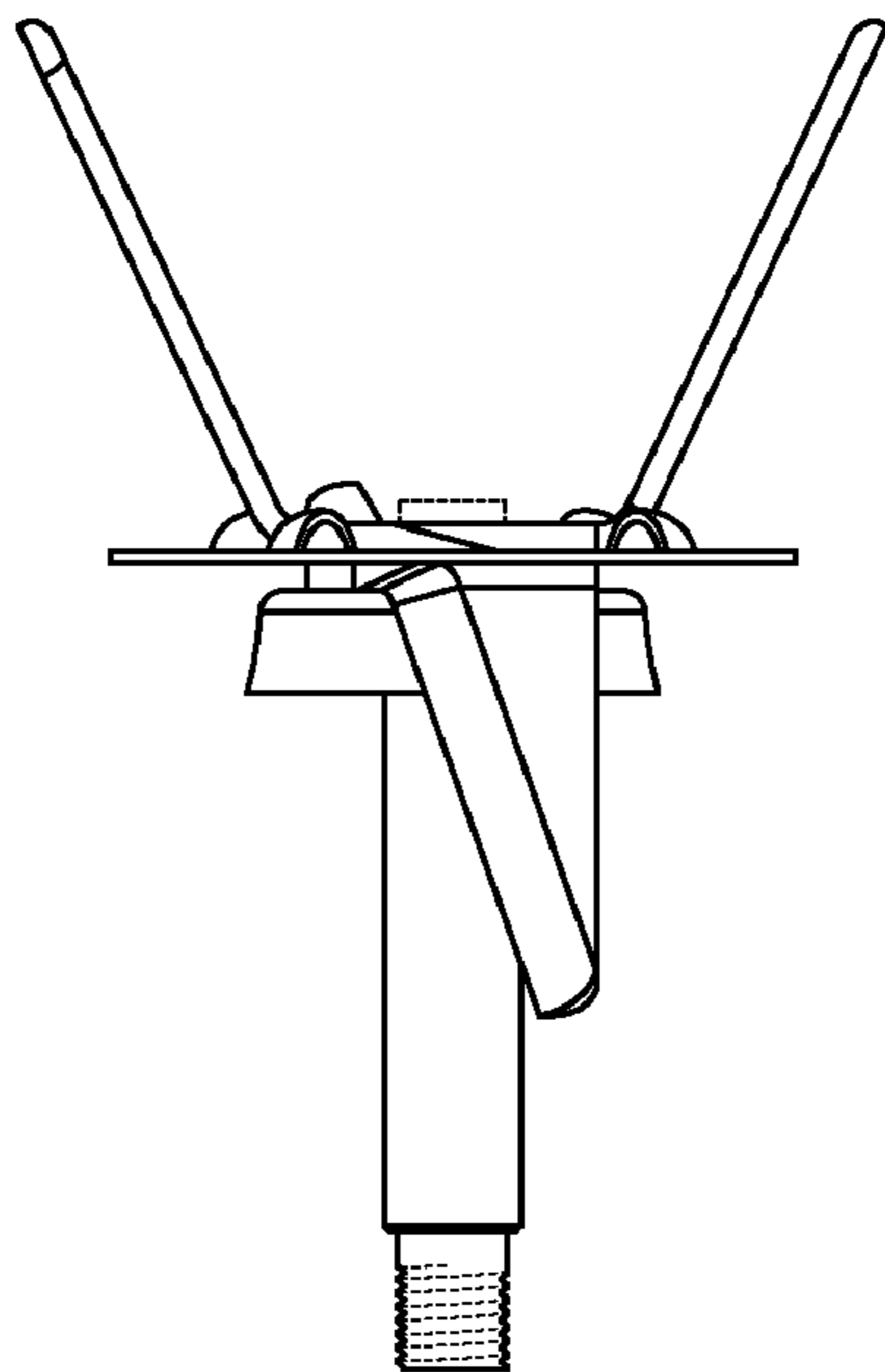


Fig. 2

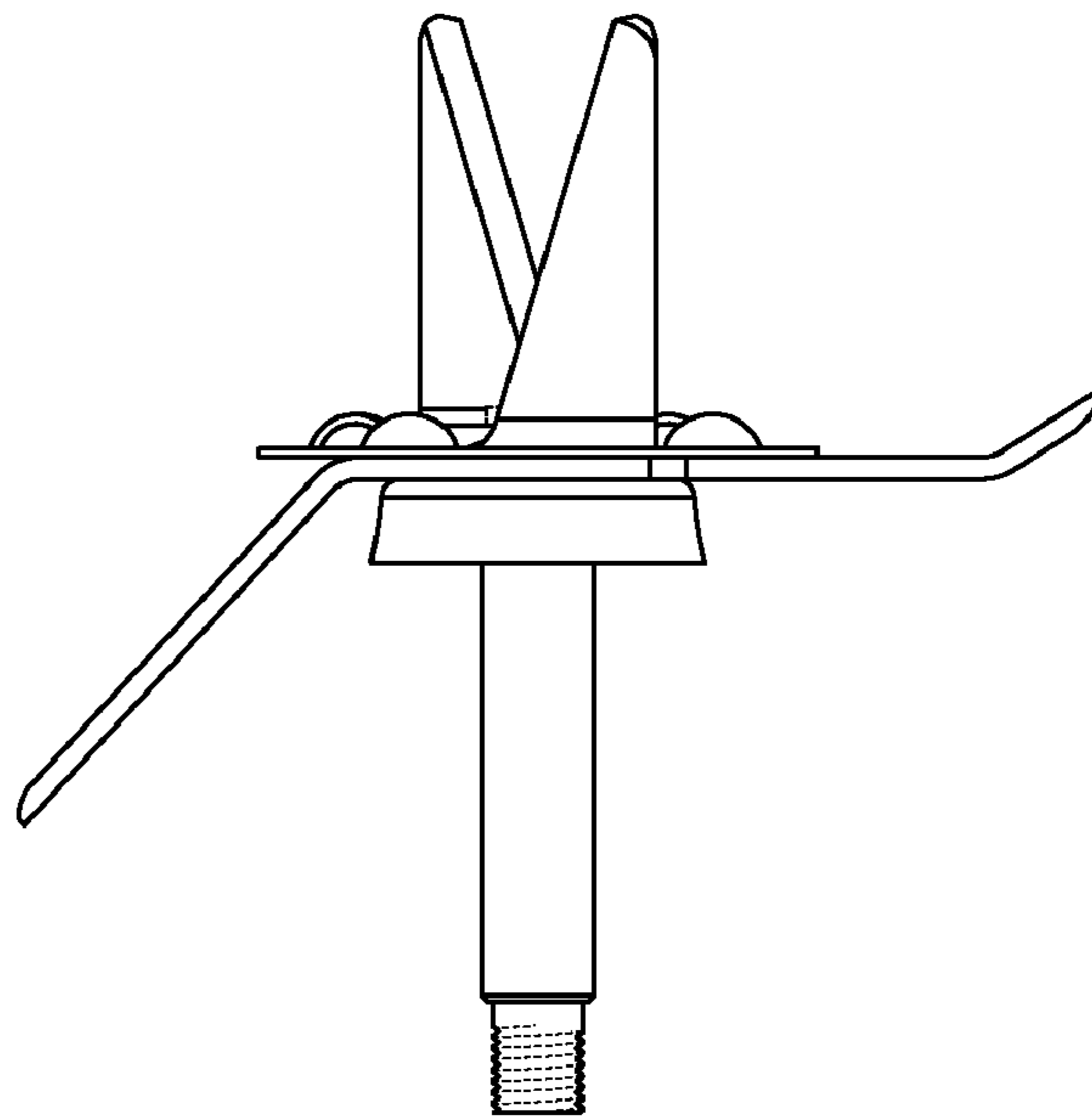


Fig. 3

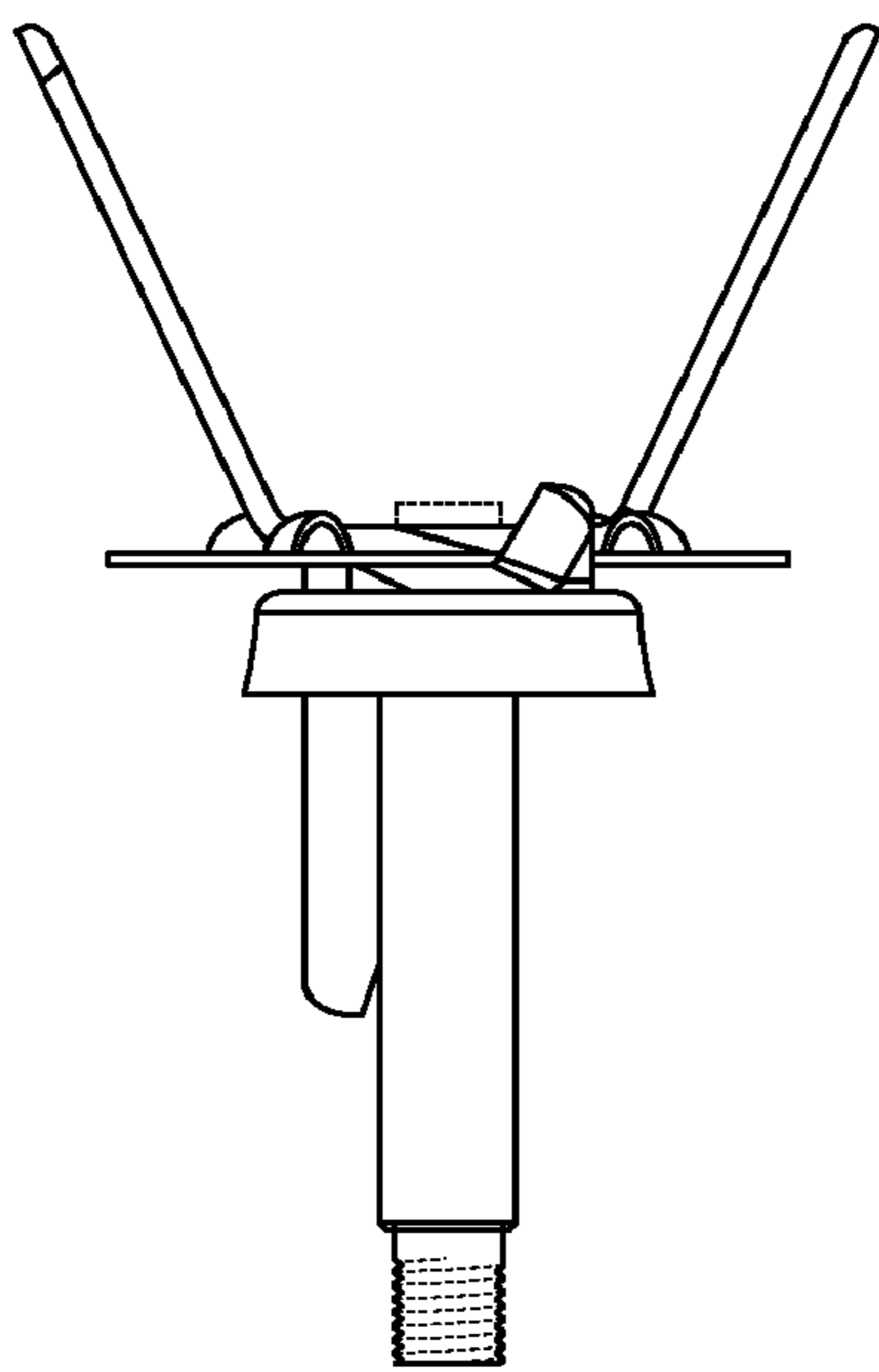


Fig. 4

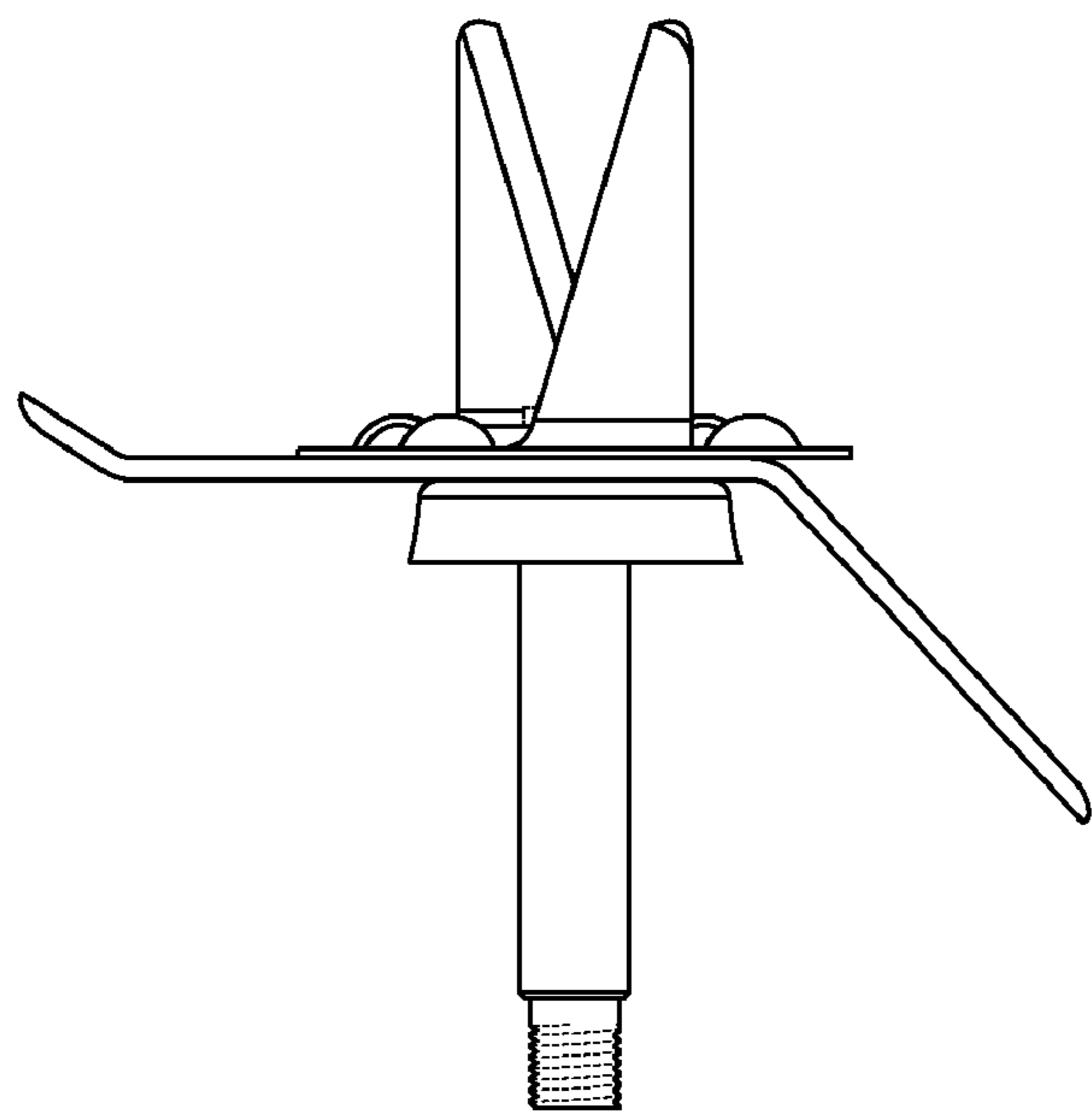


Fig. 5

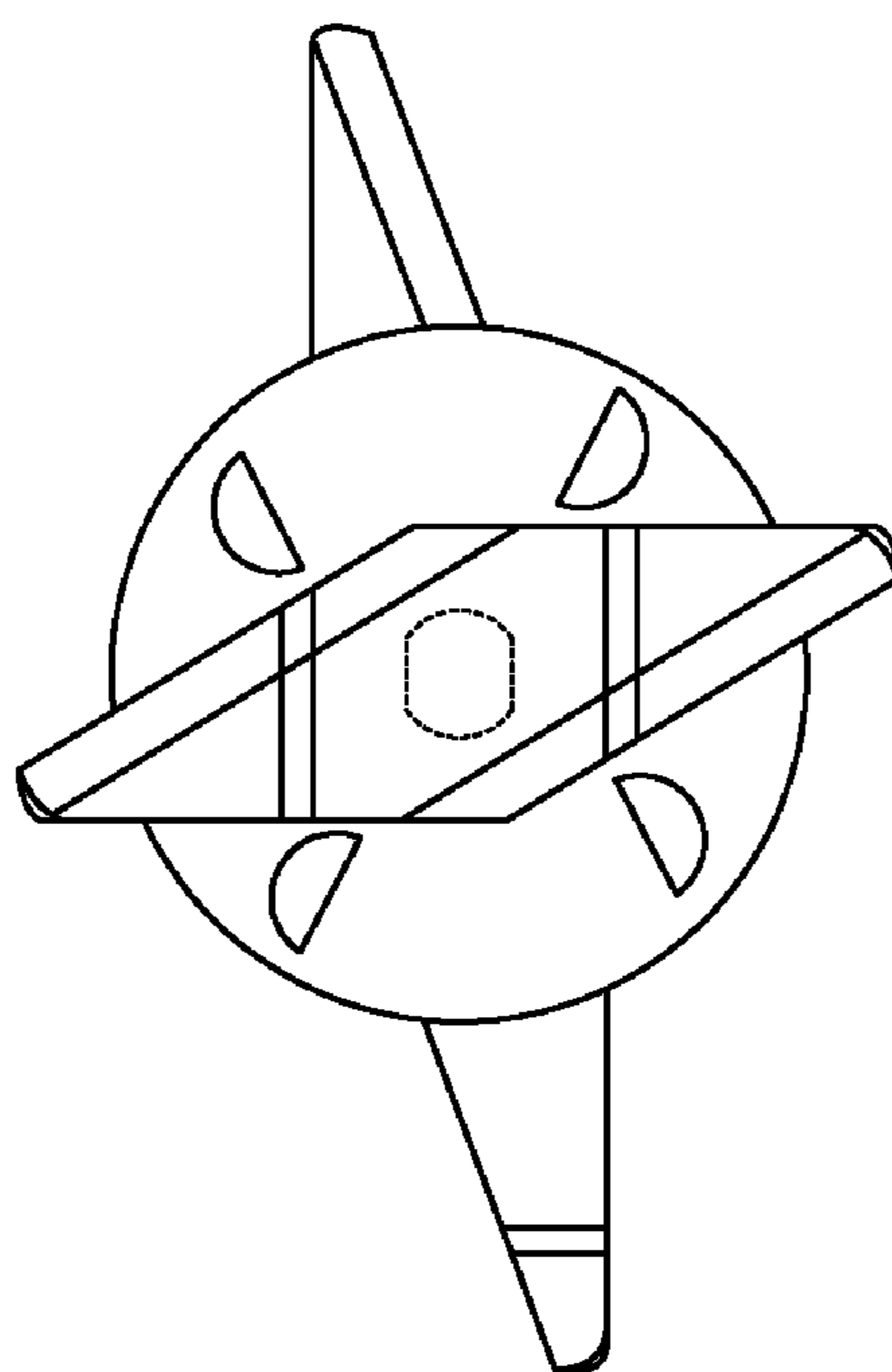


Fig. 6

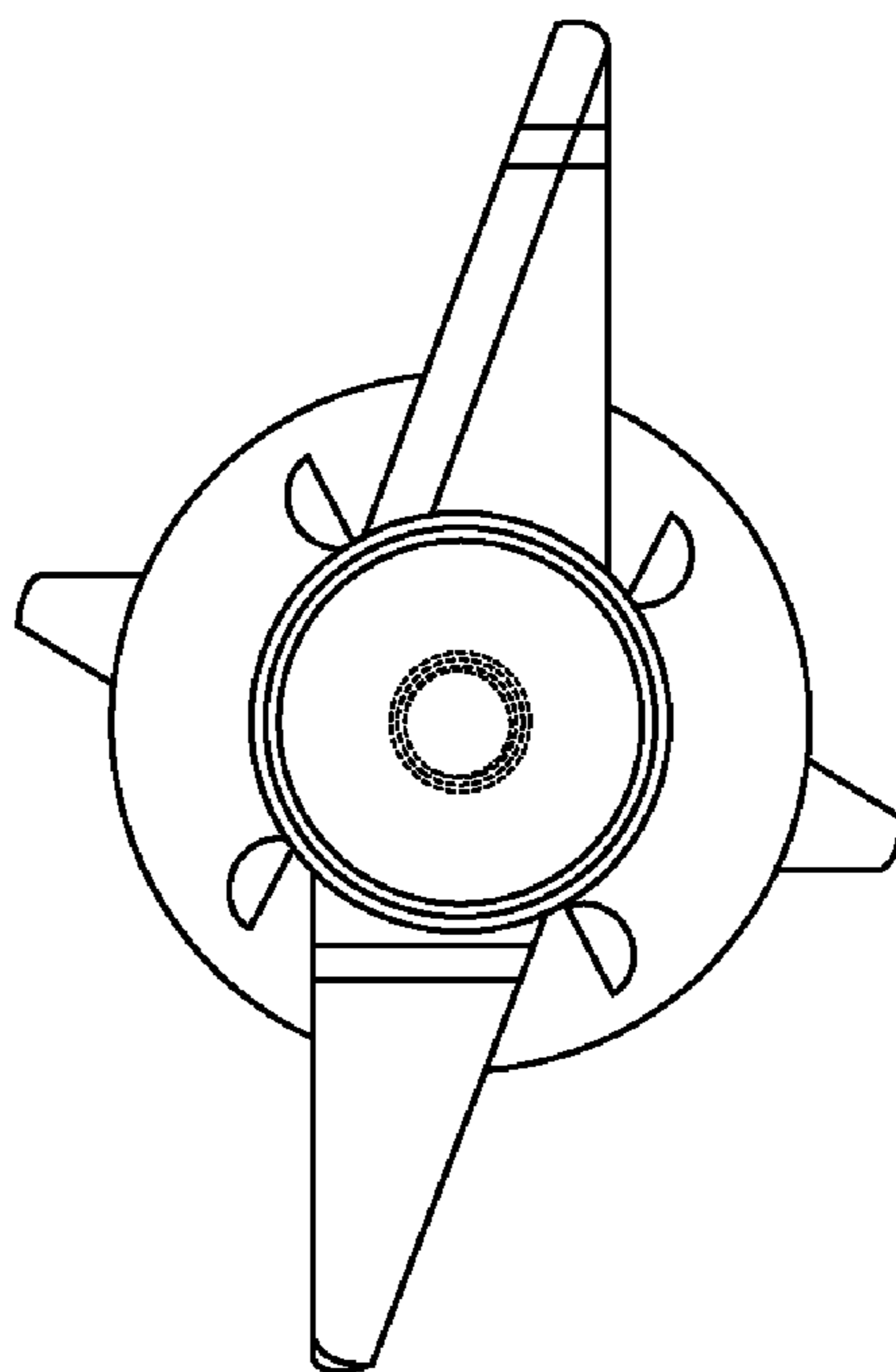


Fig. 7