



US00D624358S

(12) **United States Design Patent**
Maufette et al.

(10) **Patent No.:** **US D624,358 S**

(45) **Date of Patent:** **** Sep. 28, 2010**

(54) **WINE AERATOR**

(75) Inventors: **Claude Maufette**, Montreal (CA);
Pierre Halmal, Montreal (CA)

(73) Assignee: **Trudeau Corporation 1889 Inc.**,
Boucherville, QC (CA)

(**) Term: **14 Years**

(21) Appl. No.: **29/357,275**

(22) Filed: **Mar. 10, 2010**

(51) **LOC (9) Cl.** **07-99**

(52) **U.S. Cl.** **D7/398; D7/397; D7/387**

(58) **Field of Classification Search** D7/387,
D7/396.2, 624.1, 619.1, 507, 622, 388, 398;
220/739, 703, 592.16, 592.17, 758; 215/12.1,
215/393, 387, DIG. 7, 396; D3/229; D9/440,
D9/435, 434, 439; D32/55; 206/217; 294/33
See application file for complete search history.

(56) **References Cited**

U.S. PATENT DOCUMENTS

3,407,967	A *	10/1968	Stull	222/48
D229,826	S *	1/1974	Raptis	D9/440
D418,417	S *	1/2000	Hollinger	D9/440
D421,908	S *	3/2000	Abrams	D9/440
6,381,809	B2 *	5/2002	Uneme et al.	16/342
D533,776	S *	12/2006	Allen et al.	D9/440
D535,559	S *	1/2007	Kehoe	D9/440
D587,524	S *	3/2009	Allen et al.	D7/398
D591,594	S *	5/2009	Jalet	D9/440
D604,560	S *	11/2009	Priest	D7/507
D614,443	S *	4/2010	Federighi	D7/398

2006/0000855 A1 * 1/2006 Allen et al. 222/484
2010/0011967 A1 * 1/2010 Barberio et al. 99/323.1

OTHER PUBLICATIONS

Unknown, "Cork Pops," *Gourmet Housewares Review*, Aug. 2009, 1 page.

* cited by examiner

Primary Examiner—Robert M. Spear

Assistant Examiner—Cynthia Underwood

(74) *Attorney, Agent, or Firm*—Woodcock Washburn LLP

(57) **CLAIM**

We claim the ornamental design for a wine aerator, as shown and described.

DESCRIPTION

FIG. 1 is a perspective view of a wine aerator according to the present design;

FIG. 2 is a first side elevational view of the wine aerator of FIG. 1;

FIG. 3 is a second side elevational view of the wine aerator of FIG. 1;

FIG. 4 is a top view of the wine aerator of FIG. 1;

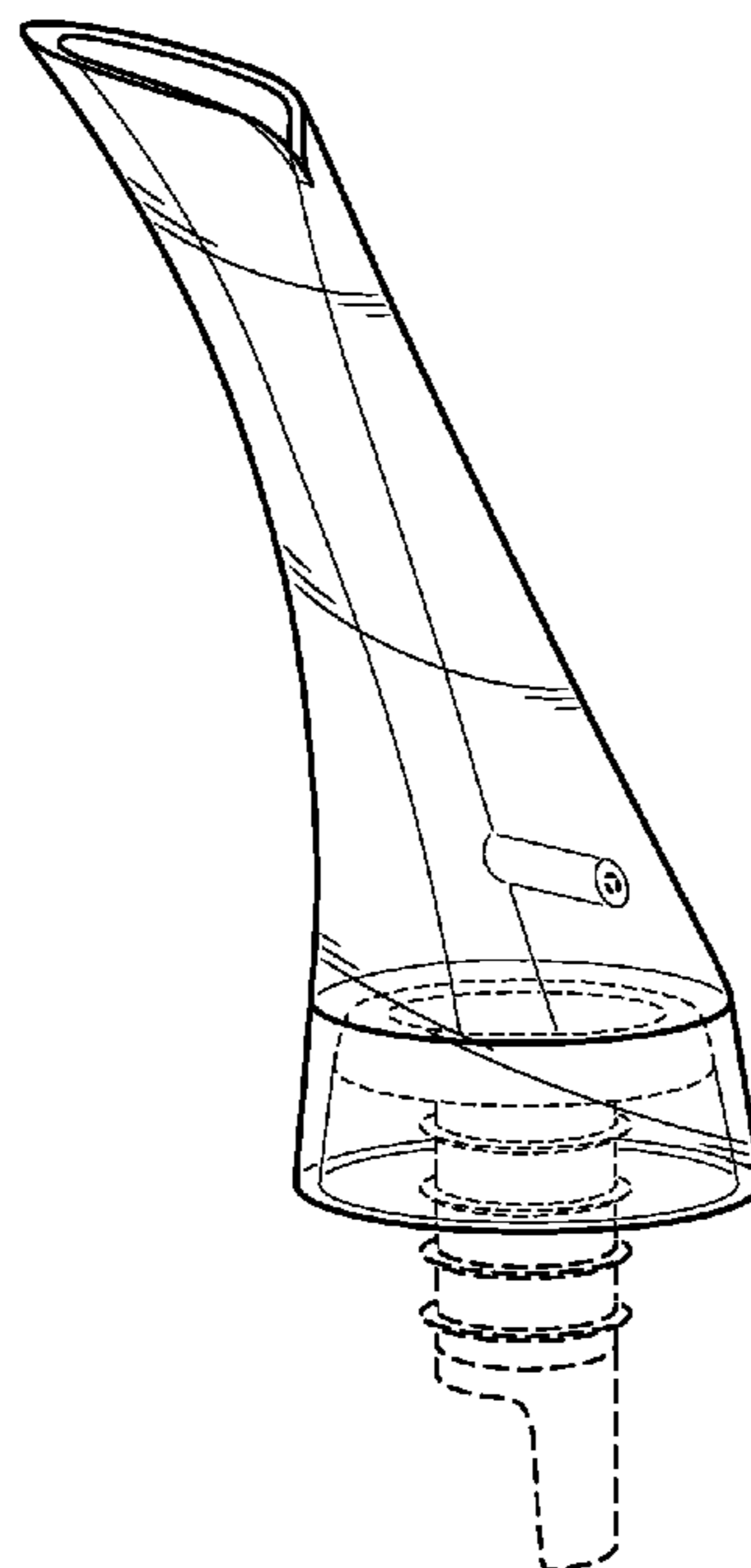
FIG. 5 is a front elevational view of the wine aerator of FIG. 1;

FIG. 6 is a rear elevational view of the wine aerator of FIG. 1; and,

FIG. 7 is a bottom view of the wine aerator of FIG. 1.

The broken lines form no part of the design and are for illustrative purposes only.

1 Claim, 3 Drawing Sheets



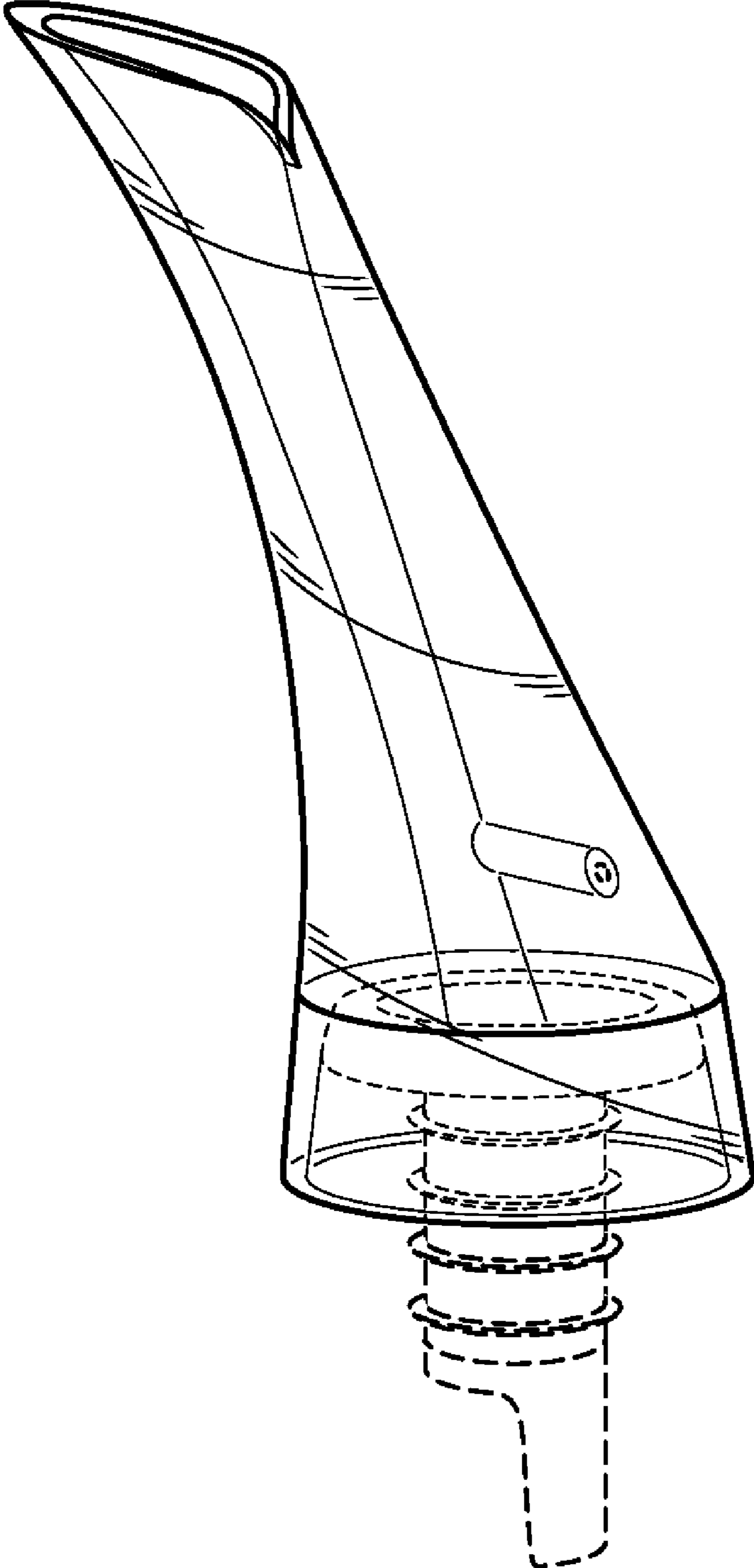


FIG. 1

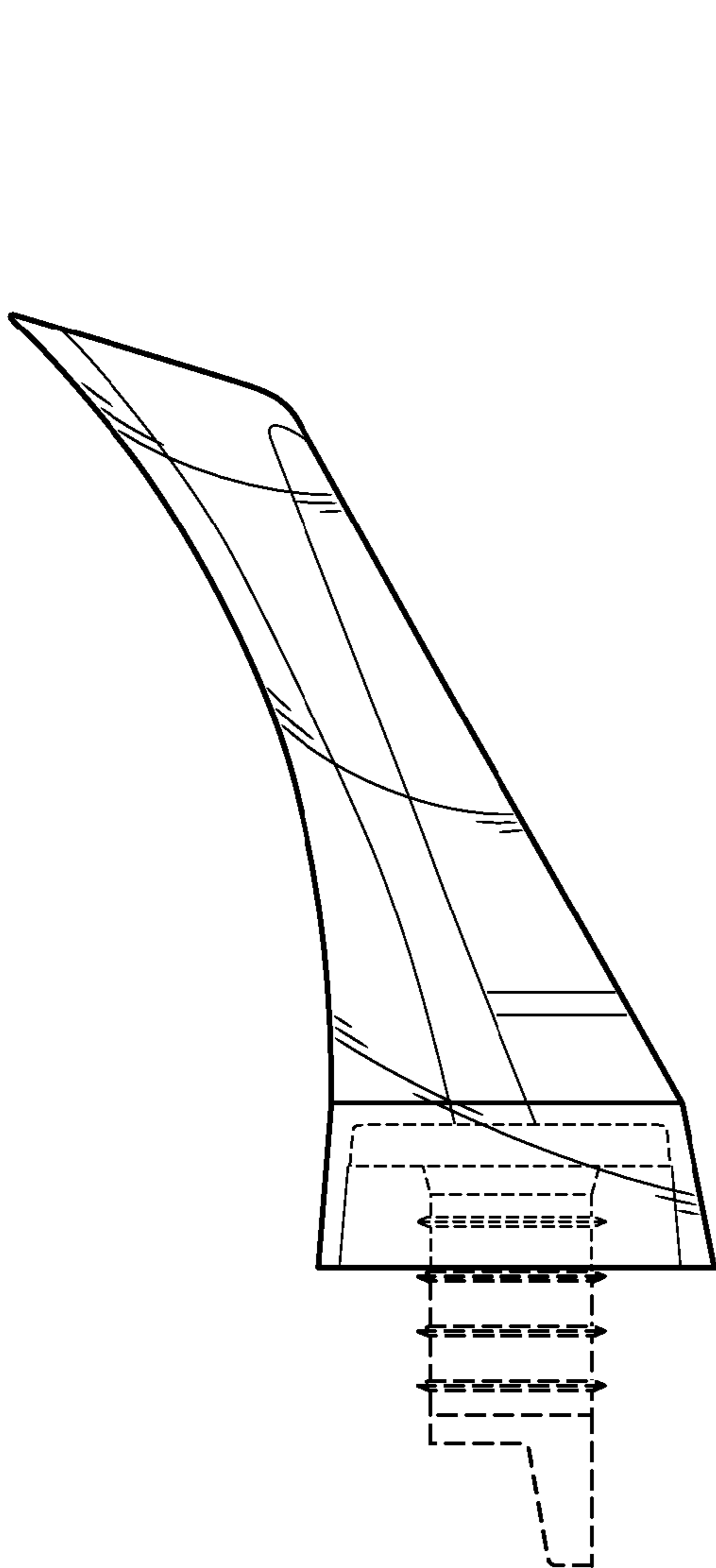


FIG. 2

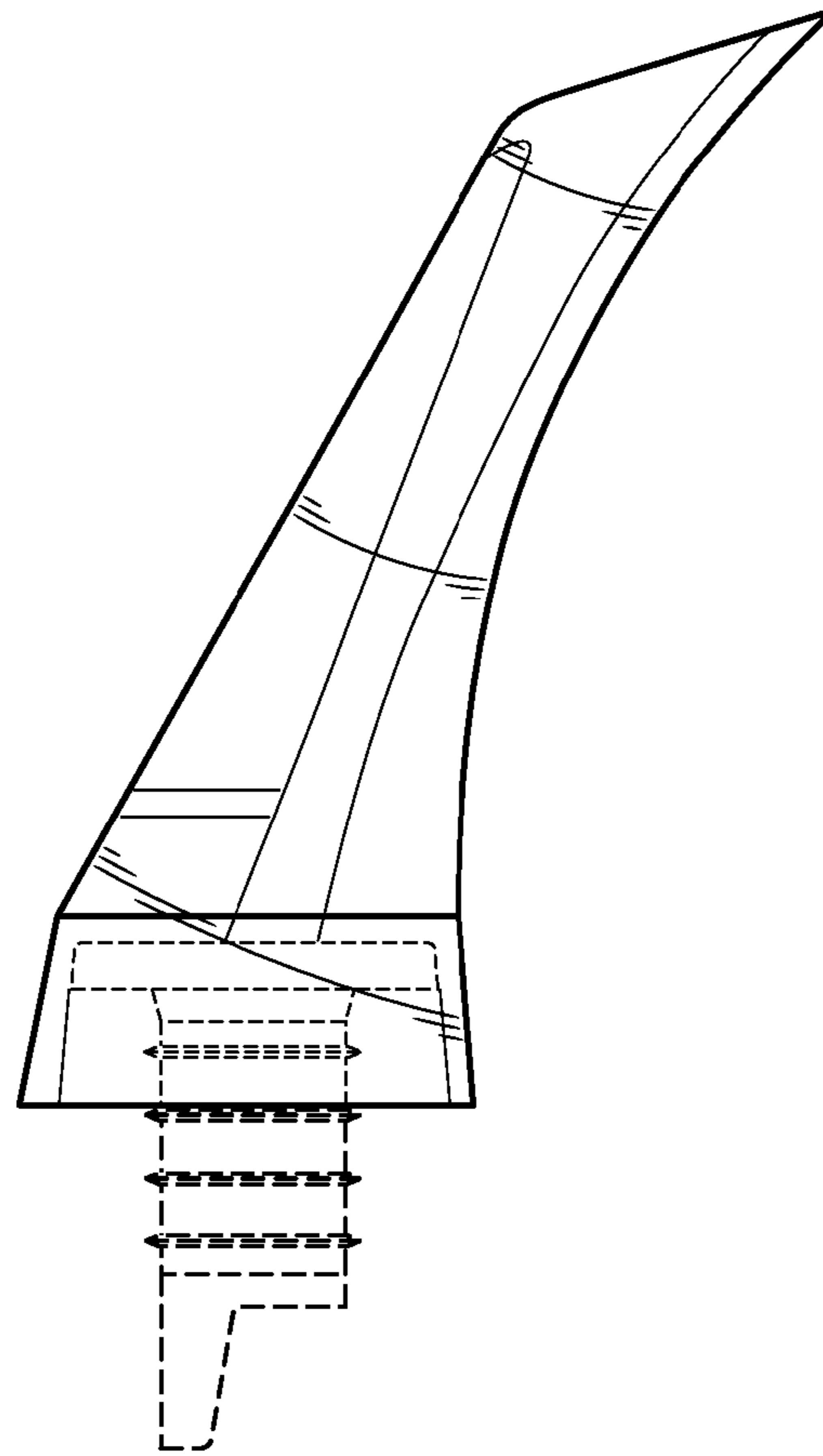


FIG. 3

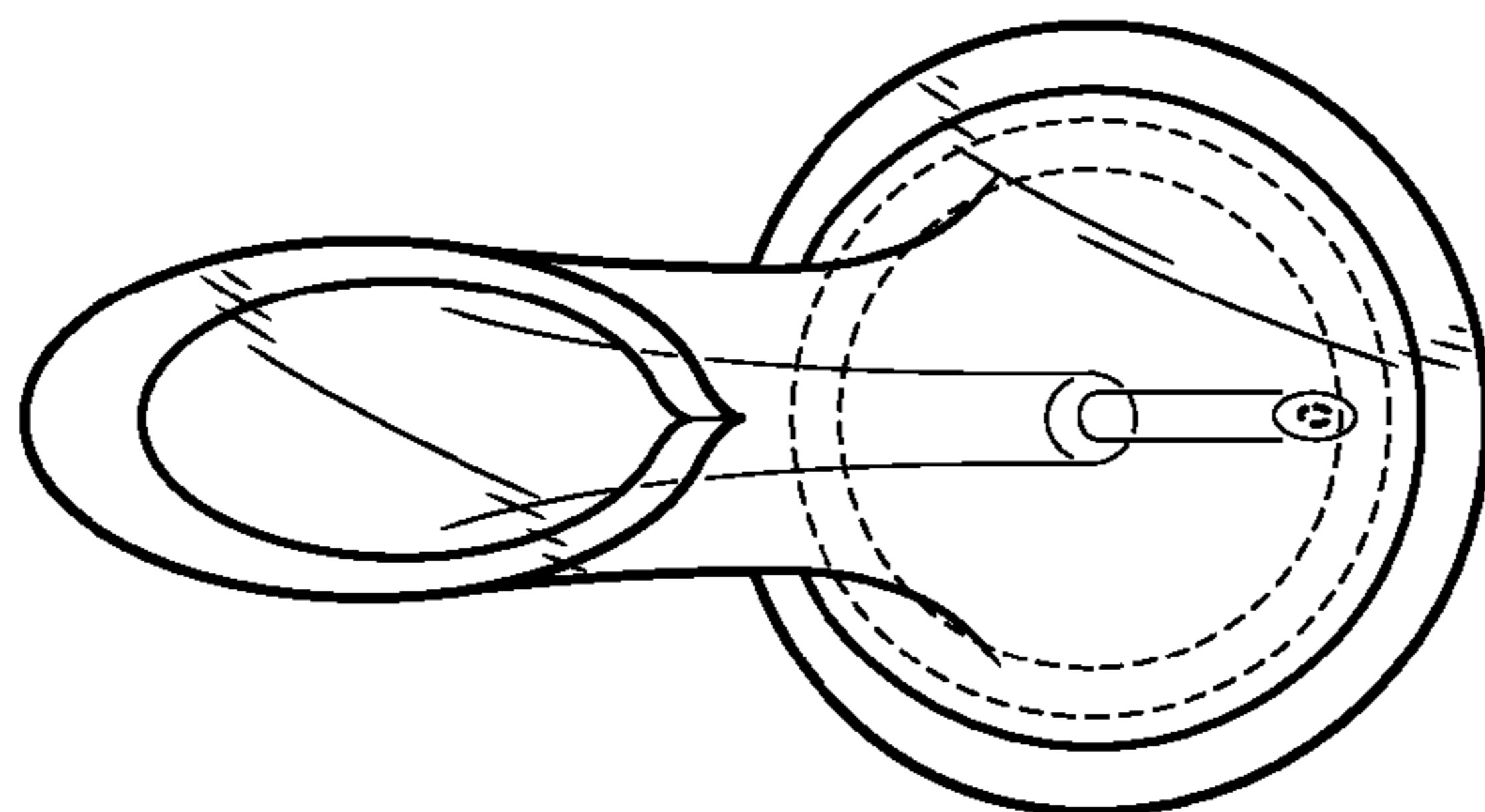


FIG. 4

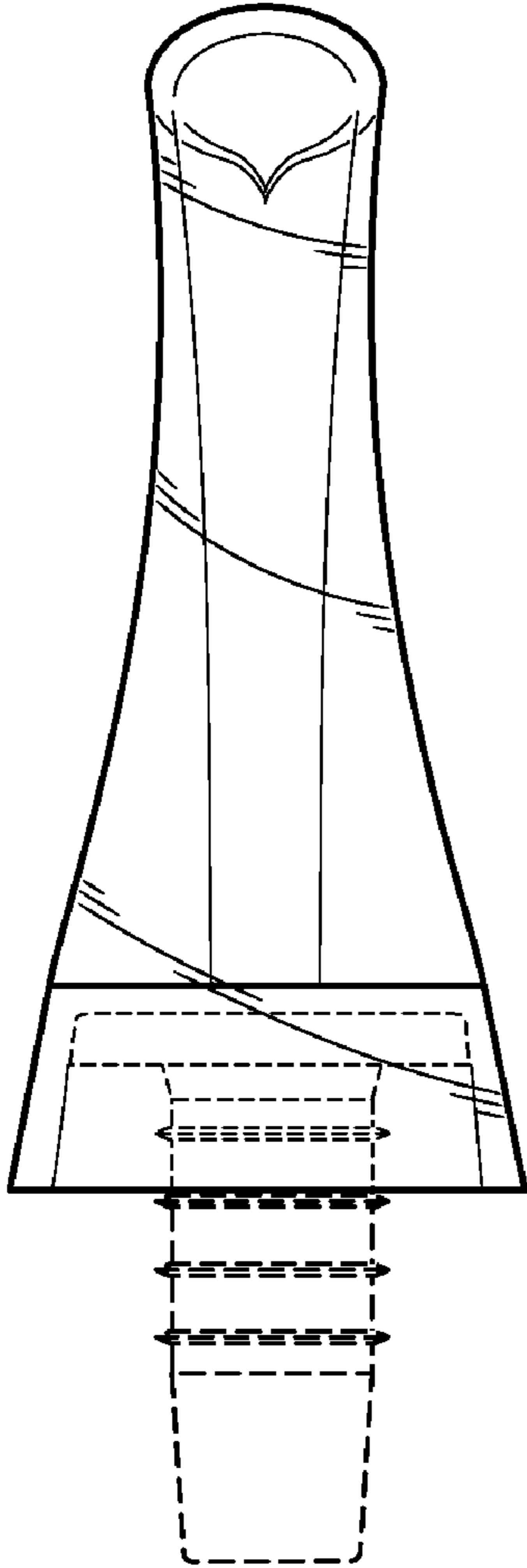


FIG. 5

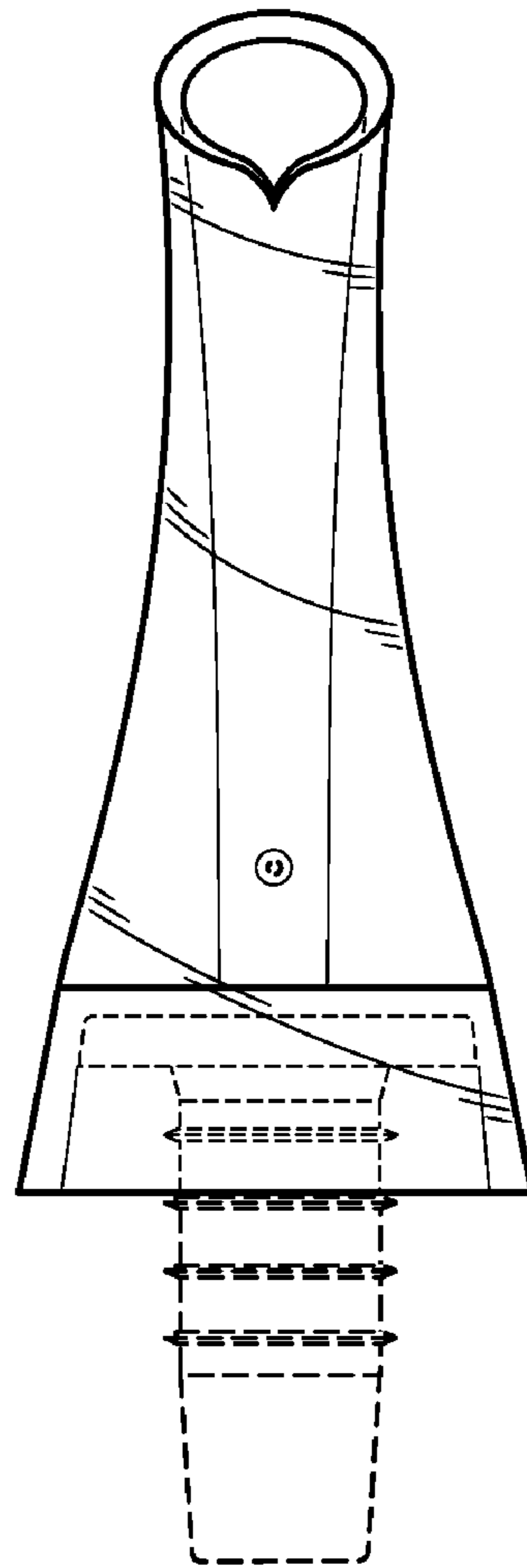


FIG. 6

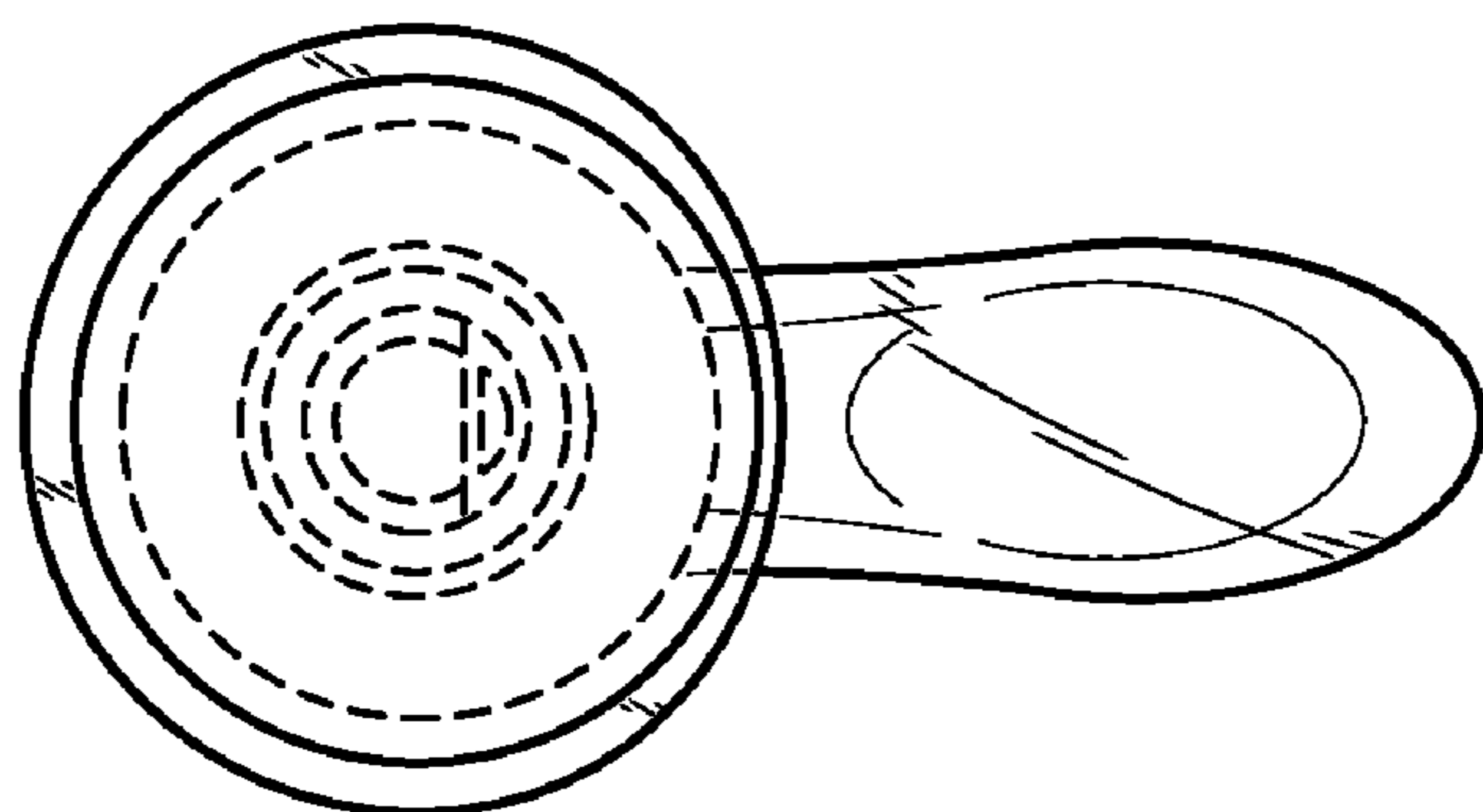


FIG. 7