



US00D624357S

(12) **United States Design Patent**  
**George**

(10) **Patent No.:** **US D624,357 S**

(45) **Date of Patent:** **\*\* Sep. 28, 2010**

(54) **BEVERAGE CONTAINER LID**

(75) **Inventor:** **Sarah Danger George**, Seattle, WA  
(US)

(73) **Assignee:** **Pacific Market International, LLC**,  
Seattle, WA (US)

(\*\*) **Term:** **14 Years**

(21) **Appl. No.:** **29/331,925**

(22) **Filed:** **Feb. 5, 2009**

(51) **LOC (9) Cl.** ..... **07-01**

(52) **U.S. Cl.** ..... **D7/396.2**

(58) **Field of Classification Search** ..... D7/396.2,  
D7/396.6, 396.1, 900, 510, 511; D9/453,  
D9/454, 449; 220/792; 215/320, 235, 237;  
222/480

See application file for complete search history.

(56) **References Cited**

**U.S. PATENT DOCUMENTS**

2,304,214	A	*	12/1942	Straub	.....	222/542
D416,755	S	*	11/1999	Trombly	.....	D7/392.1
D508,185	S	*	8/2005	Gauss	.....	D7/392.1
D510,235	S	*	10/2005	Sorensen	.....	D7/510
D528,921	S	*	9/2006	Leoncavallo et al.	.....	D9/530
D532,650	S	*	11/2006	de Groote	.....	D7/392
D549,048	S	*	8/2007	Duke et al.	.....	D7/510
D557,560	S		12/2007	Wahl		
D580,227	S	*	11/2008	Roth et al.	.....	D7/510

D584,566	S	*	1/2009	Fuller	.....	D7/396.2
D587,969	S	*	3/2009	Gilbert	.....	D7/510
D599,664	S	*	9/2009	Fujinami et al.	.....	D9/443
7,581,640	B2	*	9/2009	Lopez	.....	206/459.1
7,594,588	B2	*	9/2009	Auer	.....	220/326

\* cited by examiner

*Primary Examiner*—Robert M Spear

*Assistant Examiner*—Cynthia Underwood

(74) *Attorney, Agent, or Firm*—Davis Wright Tremaine LLP;  
George C. Rondeau, Jr.

(57) **CLAIM**

The ornamental design for a beverage container lid, as shown and described.

**DESCRIPTION**

FIG. 1 is a top and right side perspective view of a beverage container lid showing my new design.

FIG. 2 is a front side elevational view thereof.

FIG. 3 is a rear side elevational view thereof.

FIG. 4 is a right elevational view thereof.

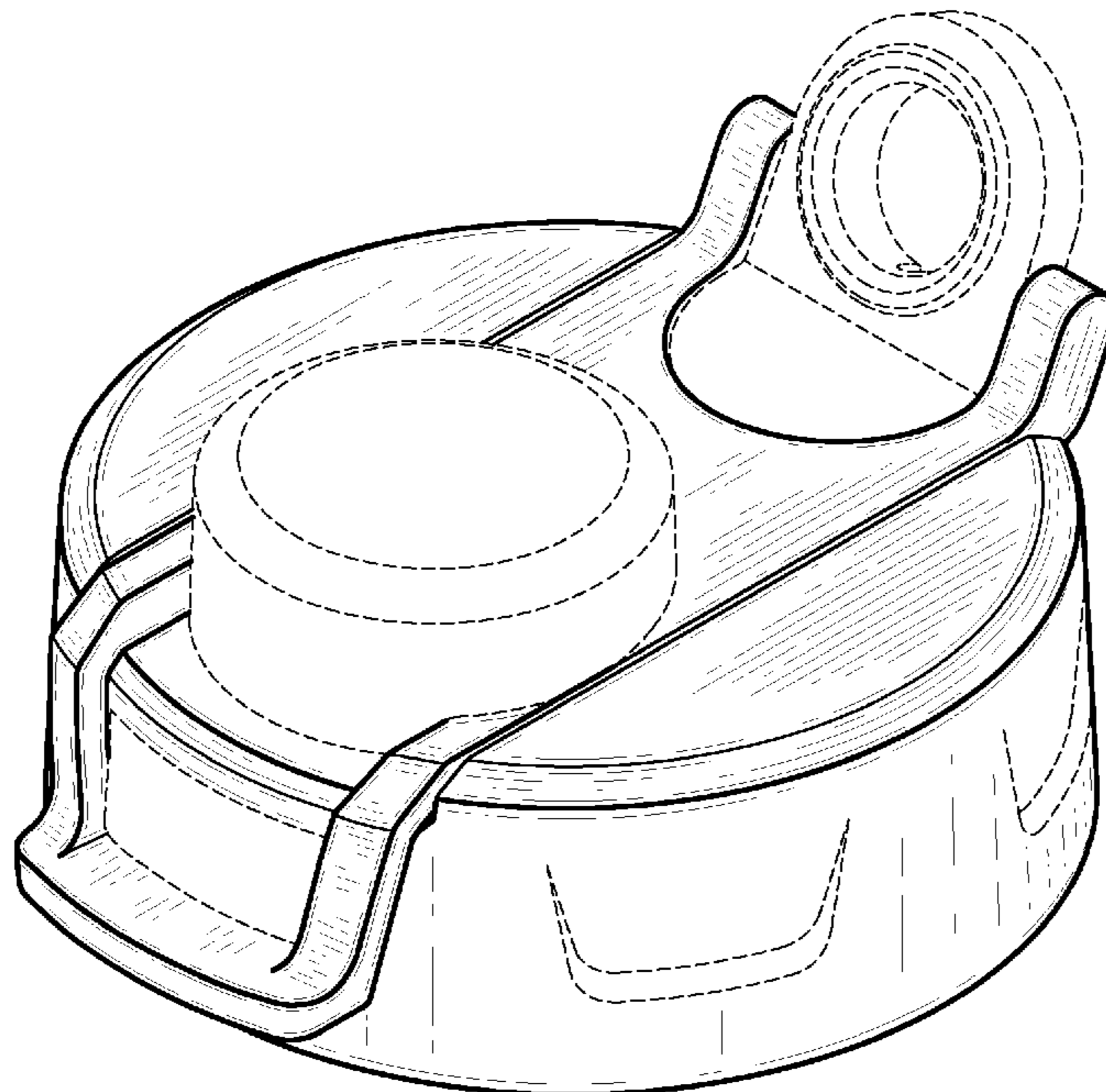
FIG. 5 is left a elevational view thereof.

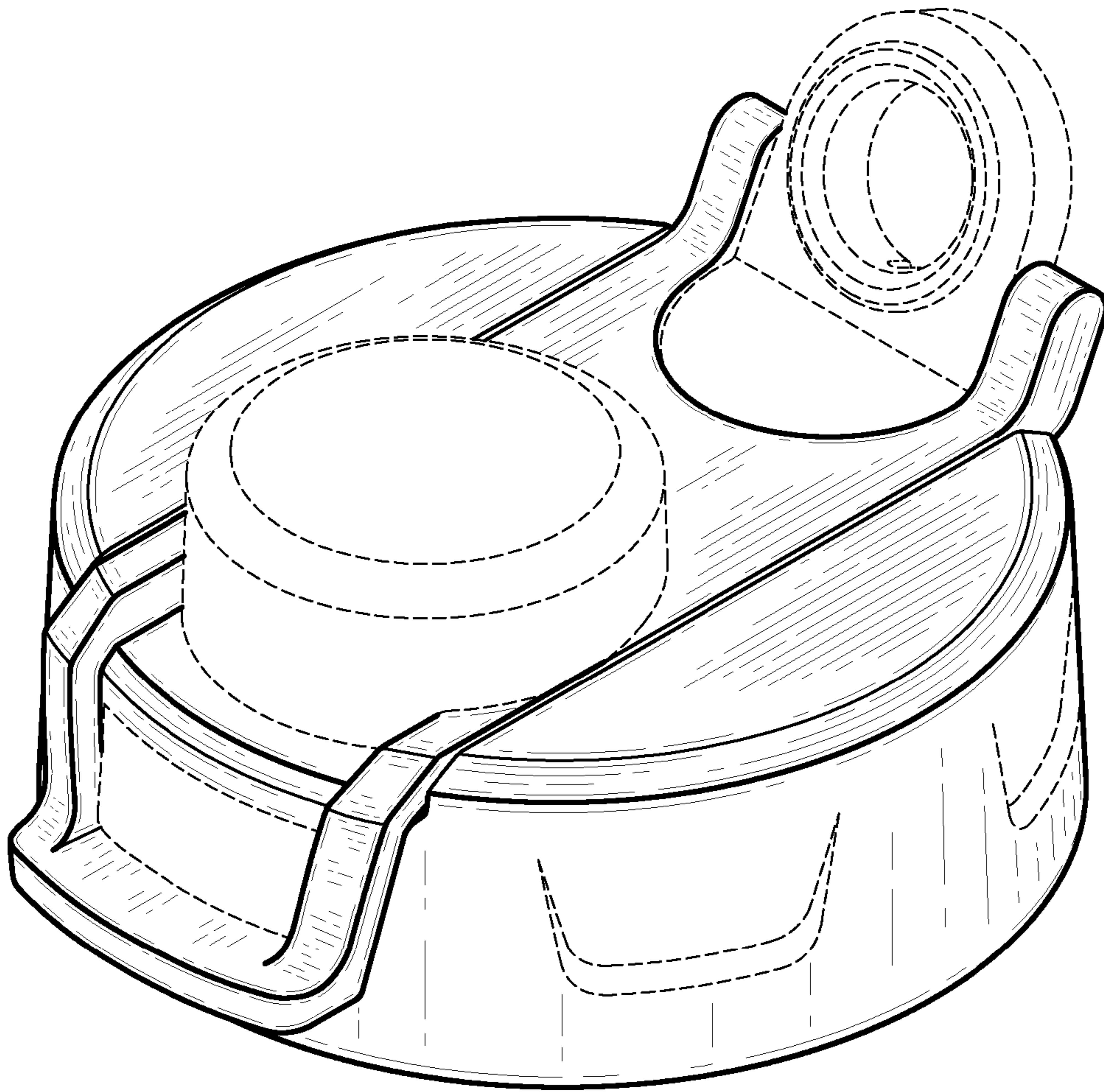
FIG. 6 is a top plan view thereof; and,

FIG. 7 is a bottom plan view thereof.

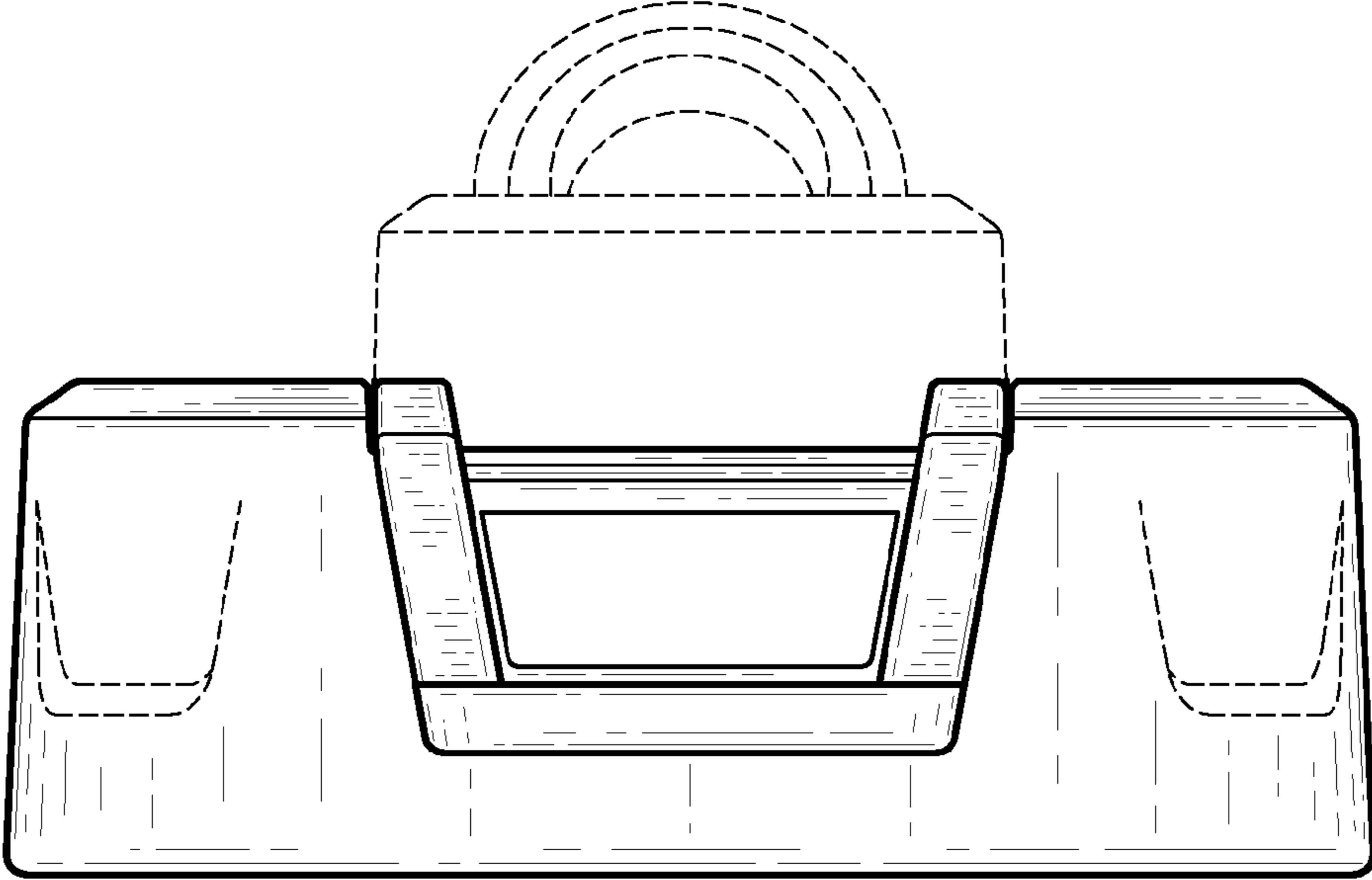
The broken lines represent portions of the beverage container lid that form no part of the claim.

**1 Claim, 5 Drawing Sheets**

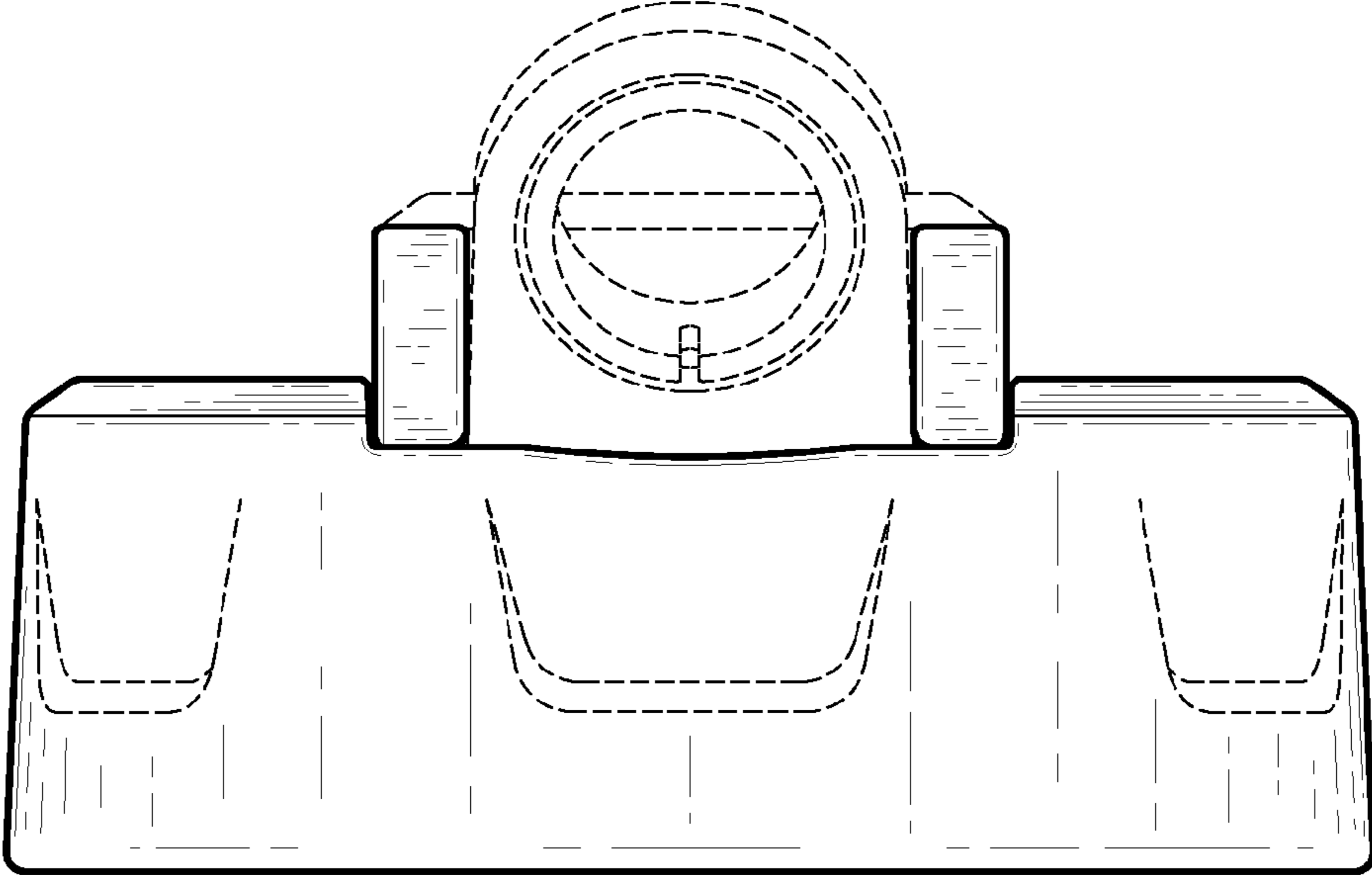




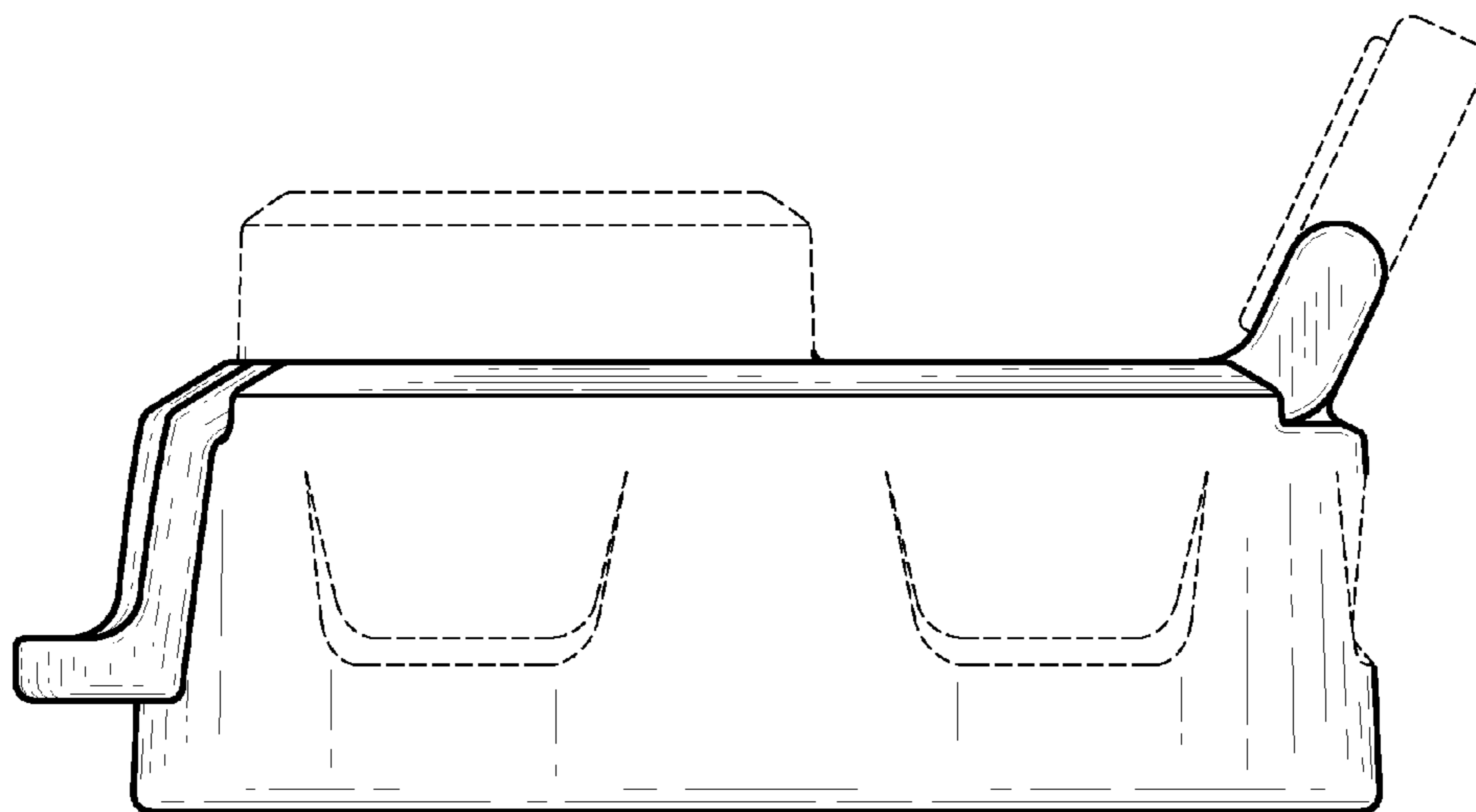
*Fig. 1*



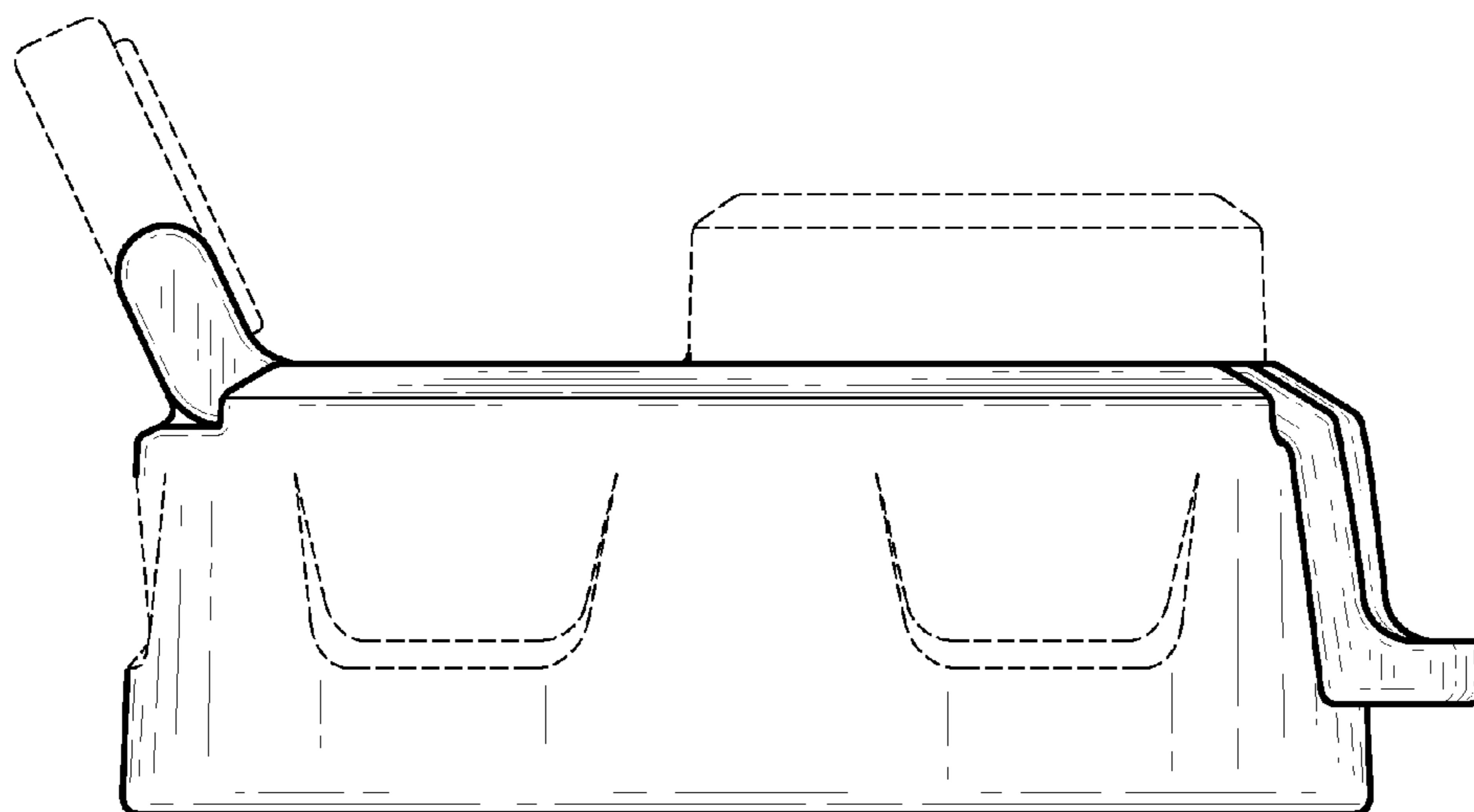
*Fig. 2*



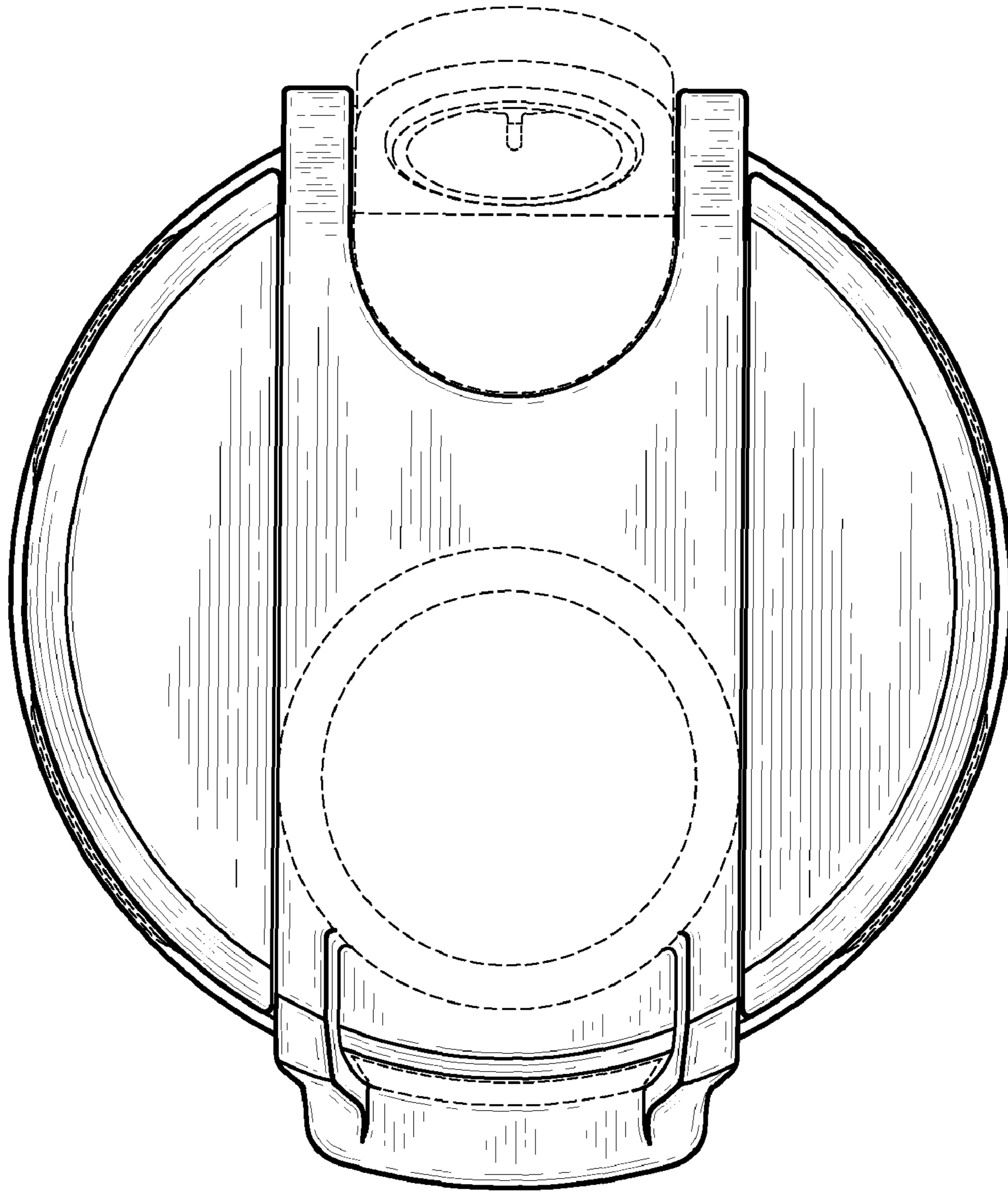
*Fig. 3*



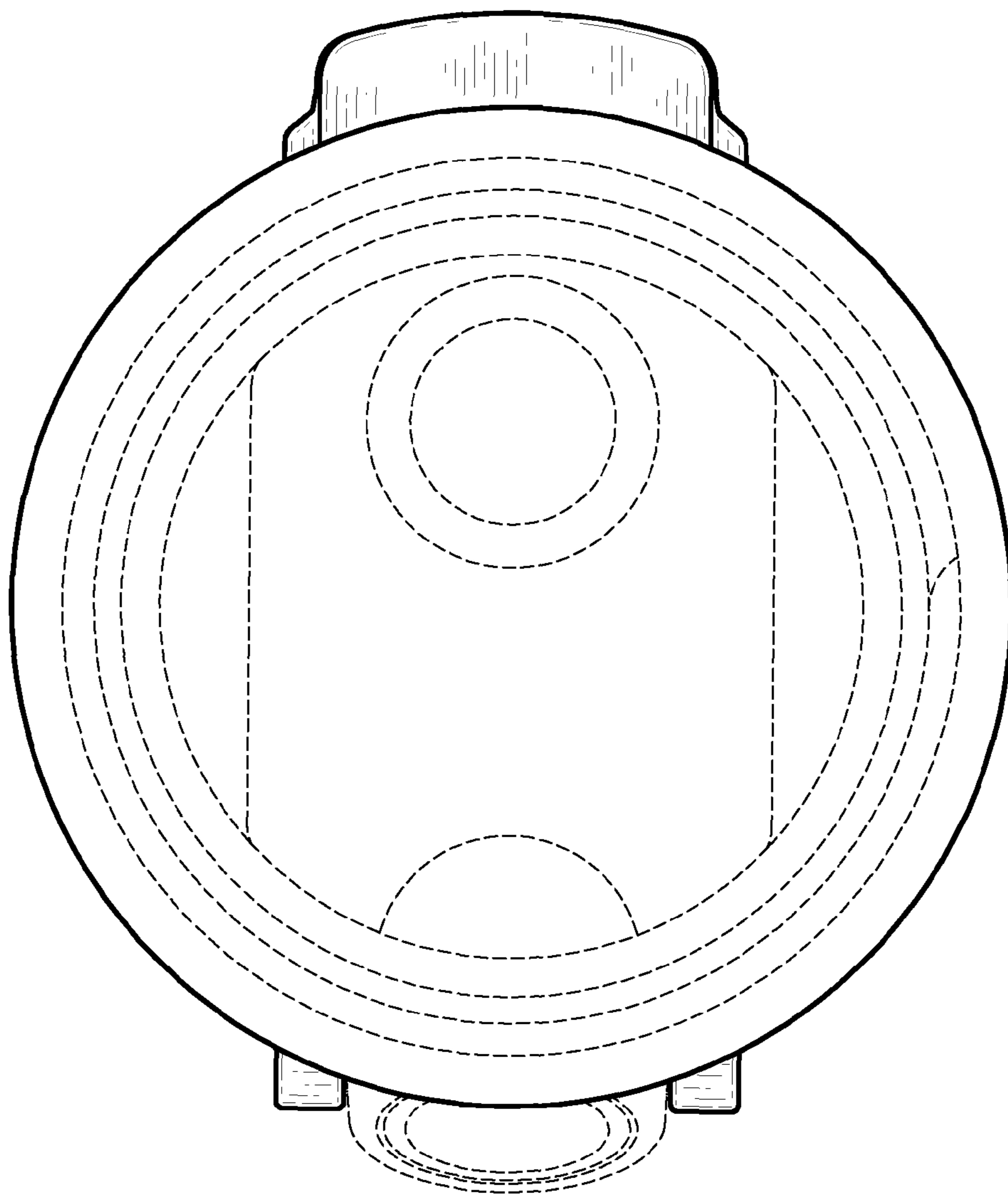
*Fig. 4*



*Fig. 5*



*Fig. 6*



*Fig. 7*