



US00D624356S

(12) **United States Design Patent**
Davies et al.

(10) **Patent No.:** **US D624,356 S**
(45) **Date of Patent:** **** Sep. 28, 2010**

(54) **DRINKING CONTAINER LID**

(76) Inventors: **James Davies**, 37031 Schafer, Polson, MT (US) 59860; **Michael Boehm**, 11279 Oakcrest Ave., Ojai, CA (US) 93023

(**) Term: **14 Years**

(21) Appl. No.: **29/340,510**

(22) Filed: **Jul. 20, 2009**

(51) **LOC (9) Cl.** **07-02**

(52) **U.S. Cl.** **D7/392.1**

(58) **Field of Classification Search** D7/300, D7/321, 391, 392, 392.1, 396.2, 509, 510, D7/511, 619.1, 629; D9/434, 435, 436, 445, D9/447, 449, 454; 215/228, 229; 220/212, 220/253, 254.1, 254.2, 254.3, 254.4, 269, 220/361, 703, 705, 711, 713

See application file for complete search history.

(56) **References Cited**

U.S. PATENT DOCUMENTS

5,692,616	A *	12/1997	Baker	220/713
5,894,952	A *	4/1999	Mendenhall et al.	220/713
D415,651	S *	10/1999	Trombly	D7/392.1
5,984,127	A *	11/1999	Fenton	220/254.1
6,095,033	A *	8/2000	Melton	220/713
D431,412	S *	10/2000	Trombly	D7/392.1
D433,596	S *	11/2000	Price	D7/392.1
6,176,390	B1 *	1/2001	Kemp	220/711
D441,288	S *	5/2001	Pillers et al.	D7/392.1
D451,338	S *	12/2001	Fradkin	D7/392.1

D474,068	S *	5/2003	Fujii et al.	D7/392.1
D486,734	S *	2/2004	Weber	D9/447
D518,996	S *	4/2006	Schmidt	D7/392.1
D522,860	S *	6/2006	LaFortune	D9/449
D525,826	S *	8/2006	Kugler	D7/392.1
7,100,787	B2 *	9/2006	Farnsworth et al.	220/212
2002/0011494	A1 *	1/2002	Lukacevic	220/713
2003/0038134	A1 *	2/2003	Chasteen et al.	220/269
2004/0031797	A1 *	2/2004	Farnsworth et al.	220/212
2006/0043092	A1 *	3/2006	Alfonso	220/254.4
2006/0163251	A1 *	7/2006	Kelstrom et al.	220/253
2008/0000921	A1 *	1/2008	Leon	220/713

* cited by examiner

Primary Examiner—Cynthia M Chin

(74) *Attorney, Agent, or Firm*—QuickPatents, Inc.; Kevin Prince

(57) **CLAIM**

We claim the ornamental design for a drinking container lid, as shown and described.

DESCRIPTION

FIG. 1 is a perspective view of a drinking container lid, showing our new design;

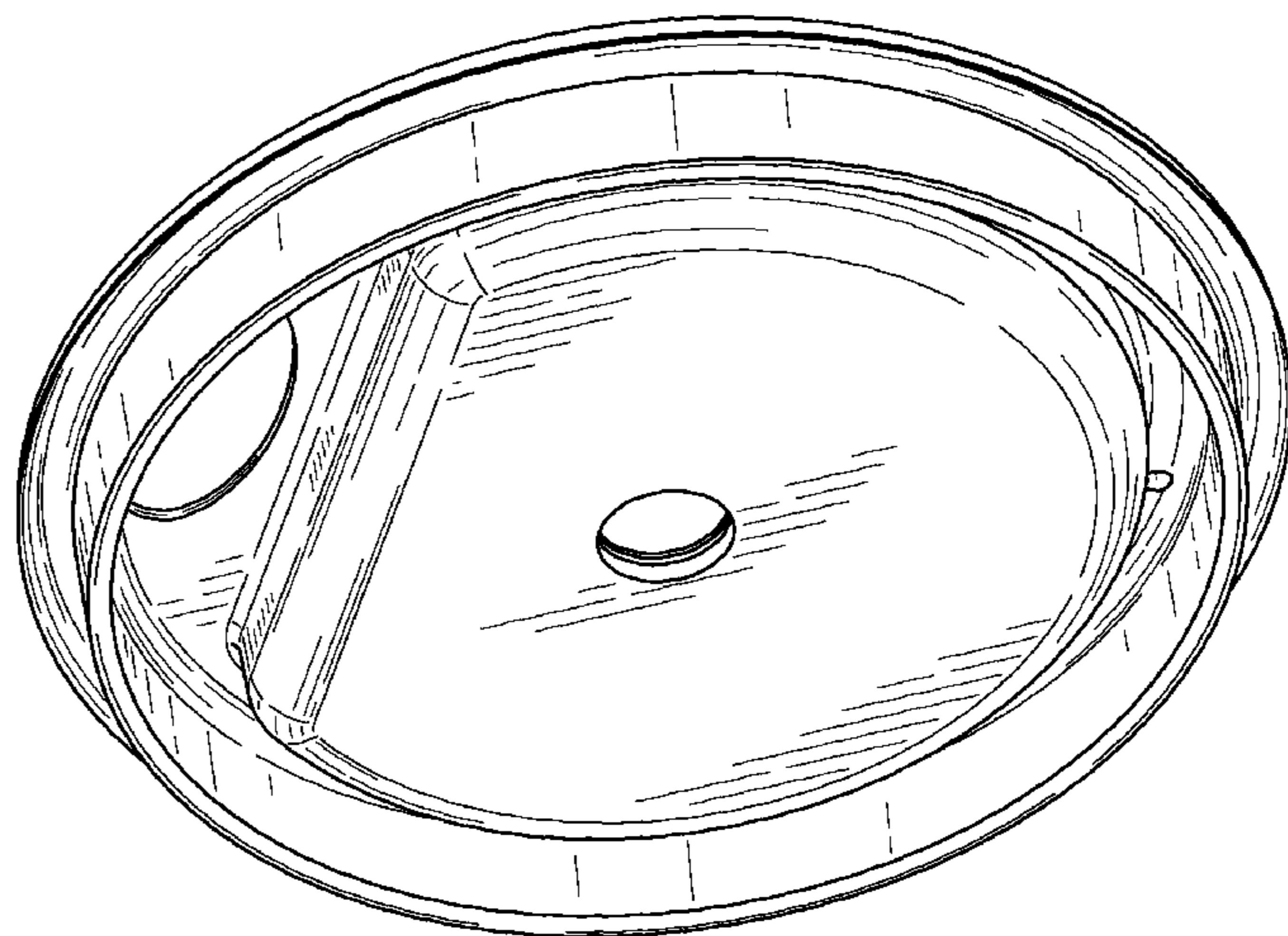
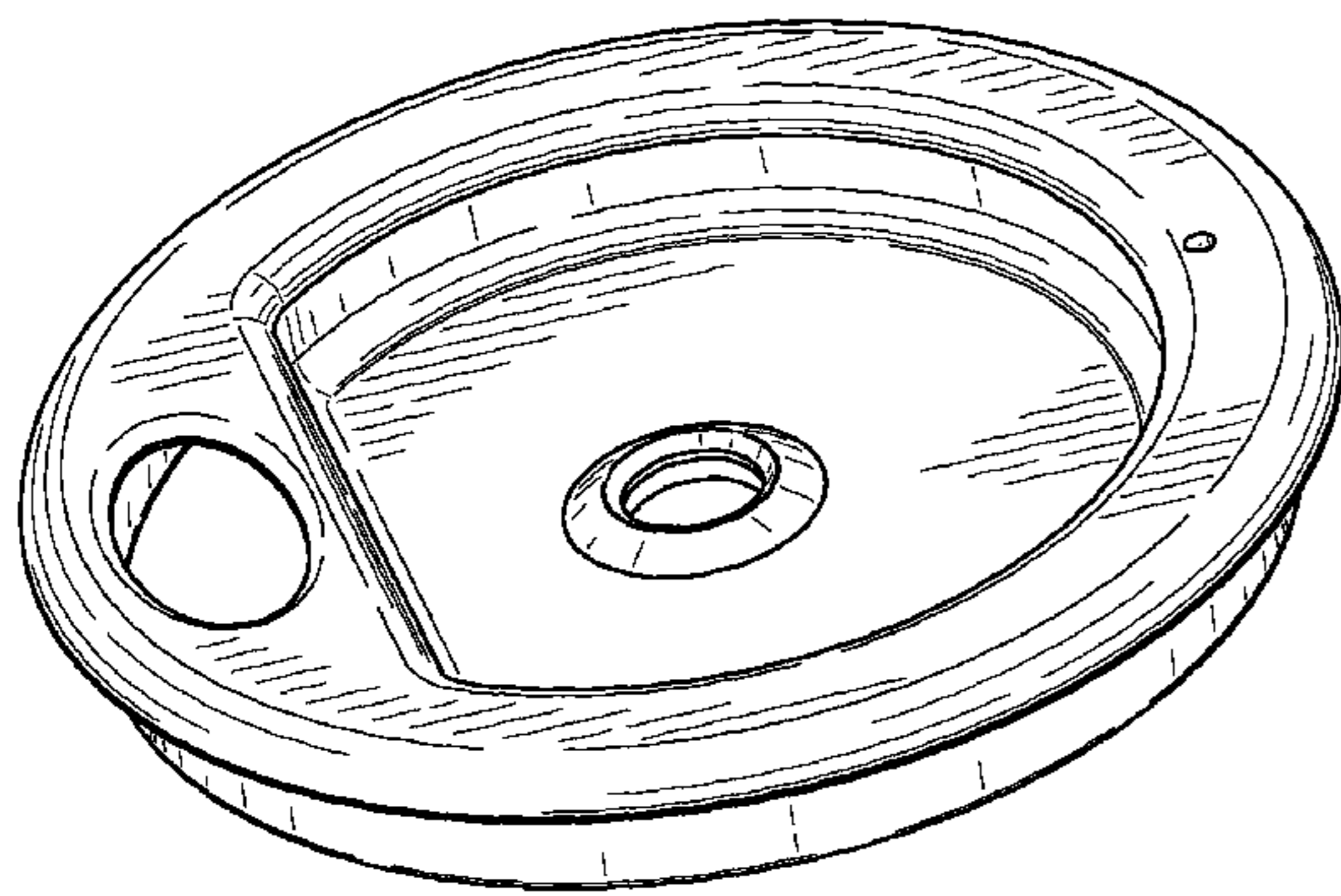
FIG. 2 is a front elevational view thereof, the rear elevational view, left-side elevational view, and right-side elevational view all being mirror images thereof;

FIG. 3 is a top plan view thereof;

FIG. 4 is a bottom plan view thereof; and,

FIG. 5 is an enlarged bottom perspective view thereof.

1 Claim, 3 Drawing Sheets



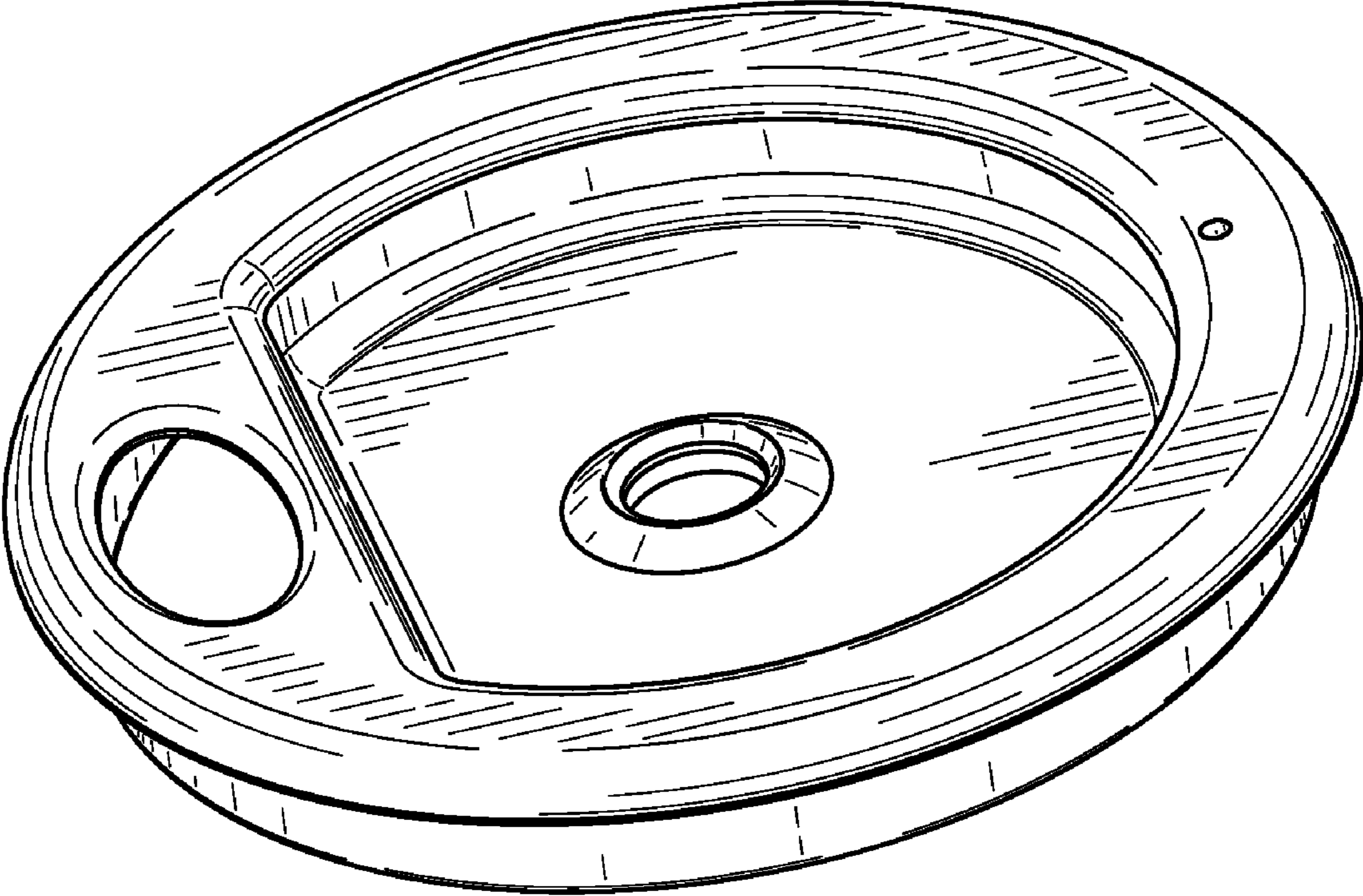


FIG. 1

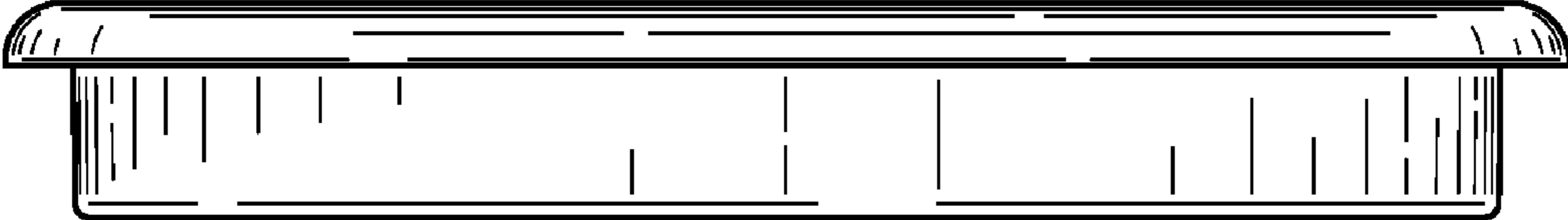


FIG. 2

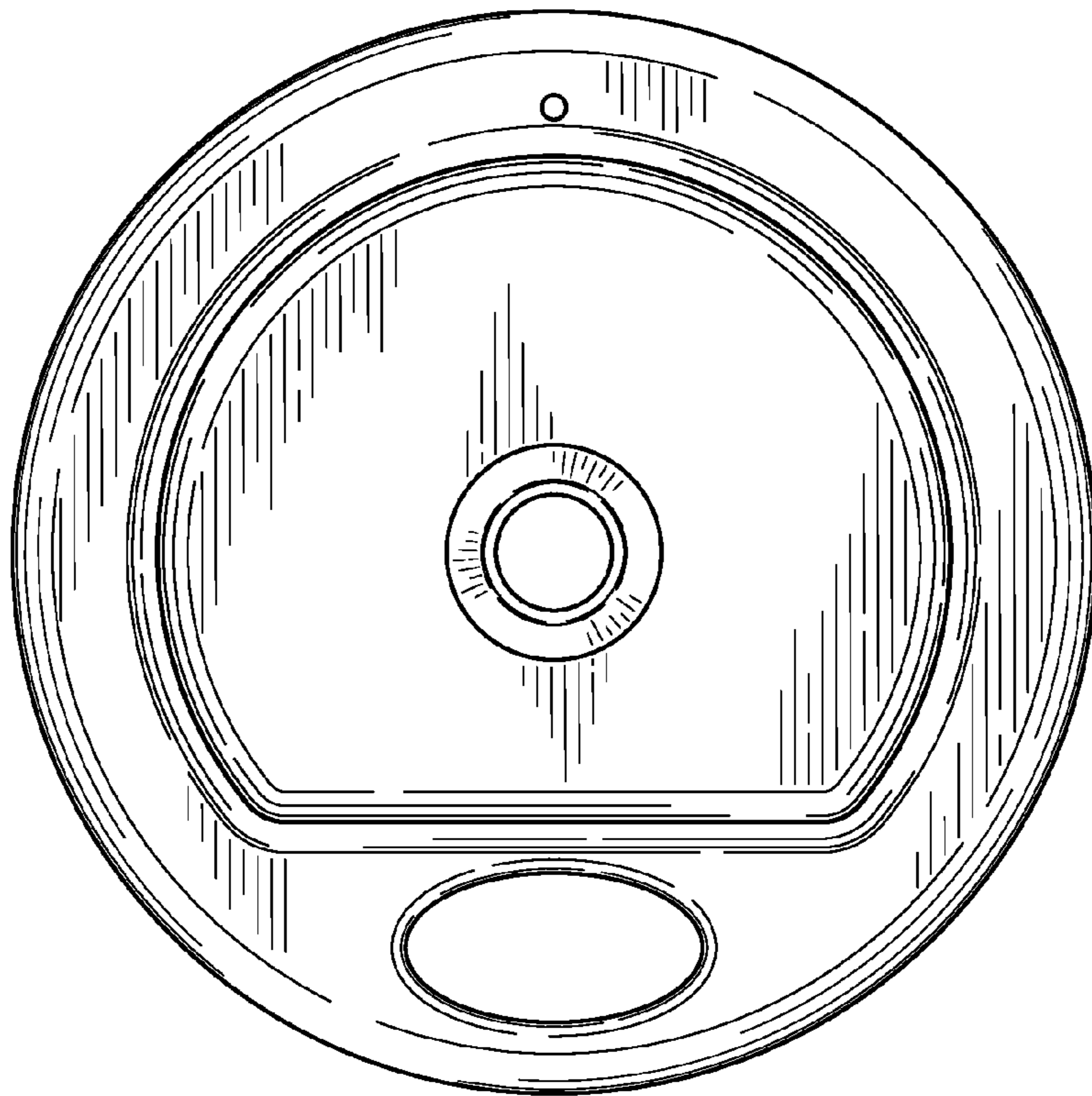


FIG. 3

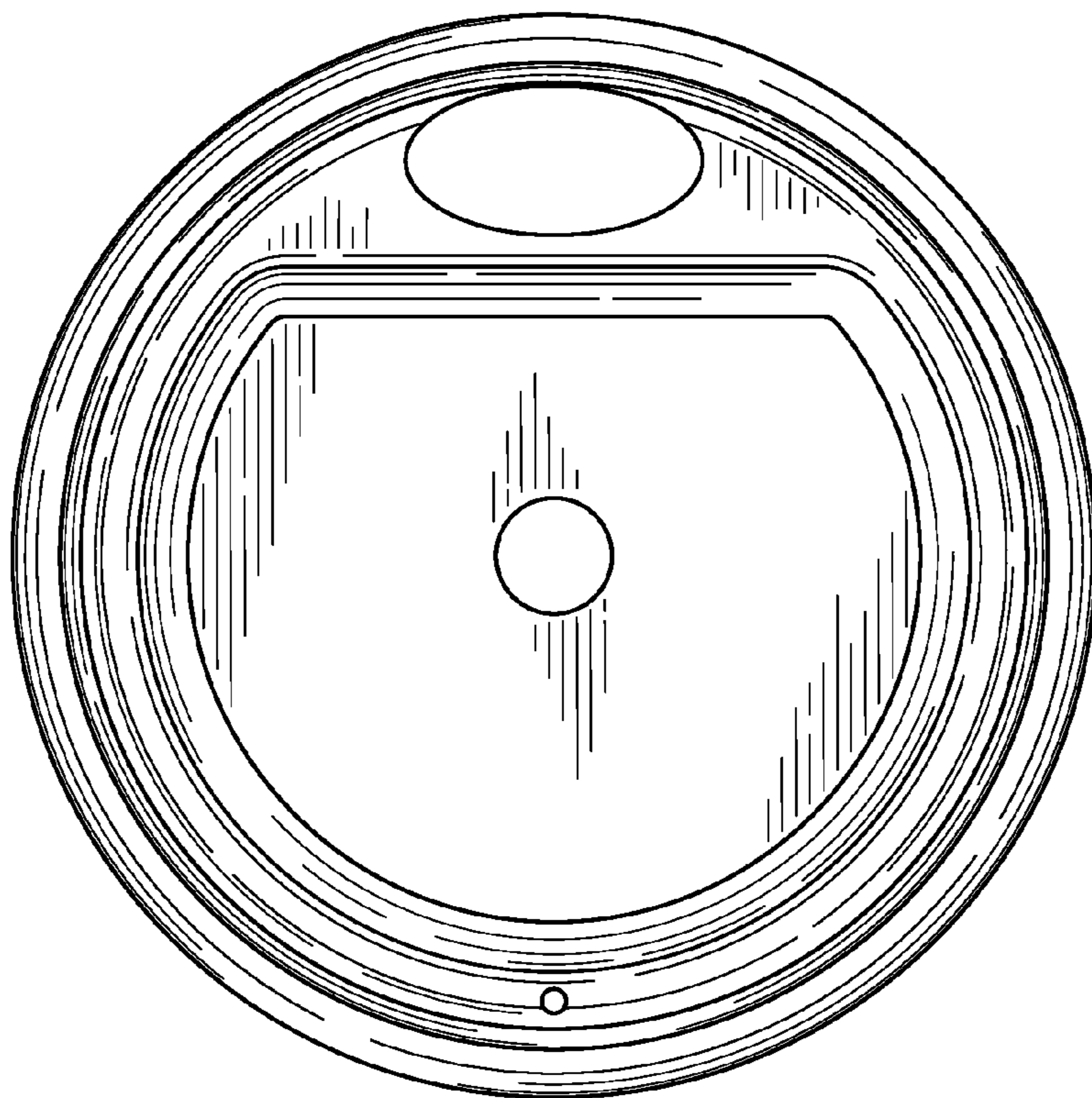


FIG. 4

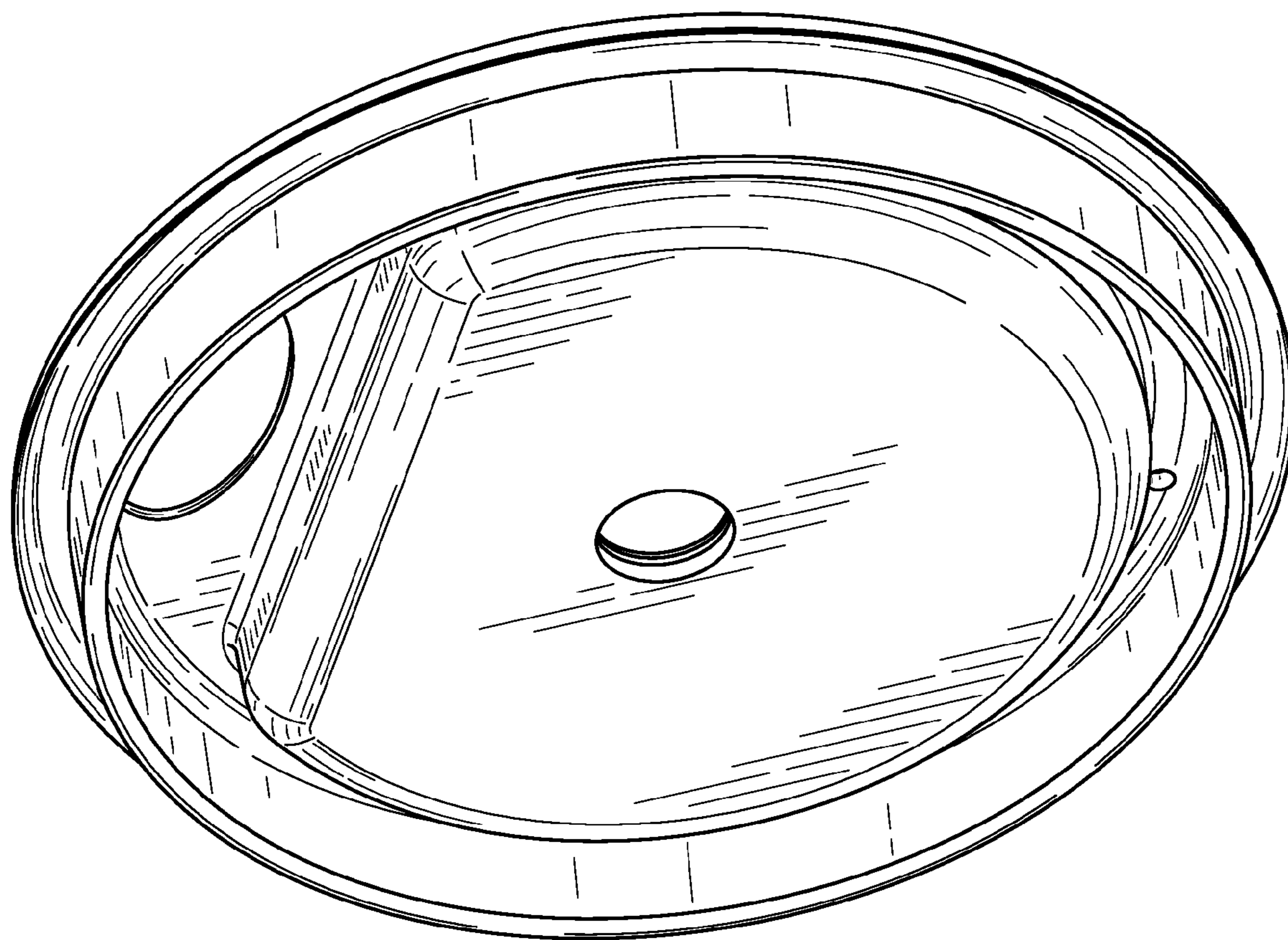


FIG. 5