



US00D624354S

(12) **United States Design Patent**
Odeh

(10) **Patent No.:** **US D624,354 S**

(45) **Date of Patent:** **** Sep. 28, 2010**

(54) **COOKING TRAY**

(76) **Inventor:** **Zach Odeh**, 383 Prospect St., Apt. 1,
Cambridge, MA (US) 02139

(**) **Term:** **14 Years**

(21) **Appl. No.:** **29/349,606**

(22) **Filed:** **Apr. 19, 2010**

(51) **LOC (9) Cl.** **07-02**

(52) **U.S. Cl.** **D7/359; D7/354**

(58) **Field of Classification Search** D7/323,
D7/338, 352-363, 388-395, 396.1, 402, 407-410,
D7/456, 546, 553.6, 554.1, 584-586, 688;
D8/399-402; D9/425-427, 430-435, 452-454,
D9/760-761, 781; D11/152; D27/133; D99/34;
99/340, 343, 349, 396, 400-402, 422, 425-426,
99/444-447, 449-450; 108/139; 126/1 R,
126/9 A, 9 B, 25 A, 25 R, 39 N, 39 K, 41 R,
126/332, 390.1; 220/377, 573.1-573.3, 752-753,
220/755-759, 912; 248/346.11; 426/132
See application file for complete search history.

(56) **References Cited**

U.S. PATENT DOCUMENTS

D27,936 S *	12/1897	Schmidt	D7/359
D30,175 S *	2/1899	Wagner	D99/34
846,948 A *	3/1907	Richter	108/139
936,343 A *	10/1909	Musser	99/426
2,085,220 A *	6/1937	Howlett	126/390.1
2,151,535 A *	3/1939	Scurlock	126/390.1
D120,409 S *	5/1940	Myers	D27/133
D169,799 S *	6/1953	Bourne-Vanneck	D7/388
D229,824 S *	1/1974	Erickson	D9/434
D265,061 S *	6/1982	Tricinella	D9/454
D297,297 S *	8/1988	Lacey	D7/354

D310,324 S *	9/1990	Bernacchi et al.	D8/399
D376,315 S *	12/1996	Gumowitz et al.	D9/430
D379,922 S *	6/1997	Adams	D8/402
5,743,506 A *	4/1998	Adams	248/346.11
D395,195 S *	6/1998	Heiberg et al.	D7/391
5,869,120 A *	2/1999	Blazevich	426/132
D409,878 S *	5/1999	Burton	D7/410
D453,308 S *	2/2002	McCauley	D11/152
D458,796 S *	6/2002	Kellermann	D7/360
D458,798 S *	6/2002	Kellermann	D7/360
D489,972 S *	5/2004	Lin	D7/553.6
D516,867 S *	3/2006	Martin et al.	D7/586
D594,270 S *	6/2009	Rae	D7/354

* cited by examiner

Primary Examiner—Caron Veynar

Assistant Examiner—Ricky Pham

(74) *Attorney, Agent, or Firm*—Lambert & Associates; Adam J. Bruno; Gary E. Lambert

(57) **CLAIM**

I claim the ornamental design for a cooking tray, as shown and described.

DESCRIPTION

FIG. 1 is a front perspective view of a cooking tray showing my new design;

FIG. 2 is a top view thereof;

FIG. 3 is a bottom perspective view thereof;

FIG. 4 is a front view thereof;

FIG. 5 is a back view thereof;

FIG. 6 is a left side view thereof; and,

FIG. 7 is a right side view thereof.

1 Claim, 3 Drawing Sheets

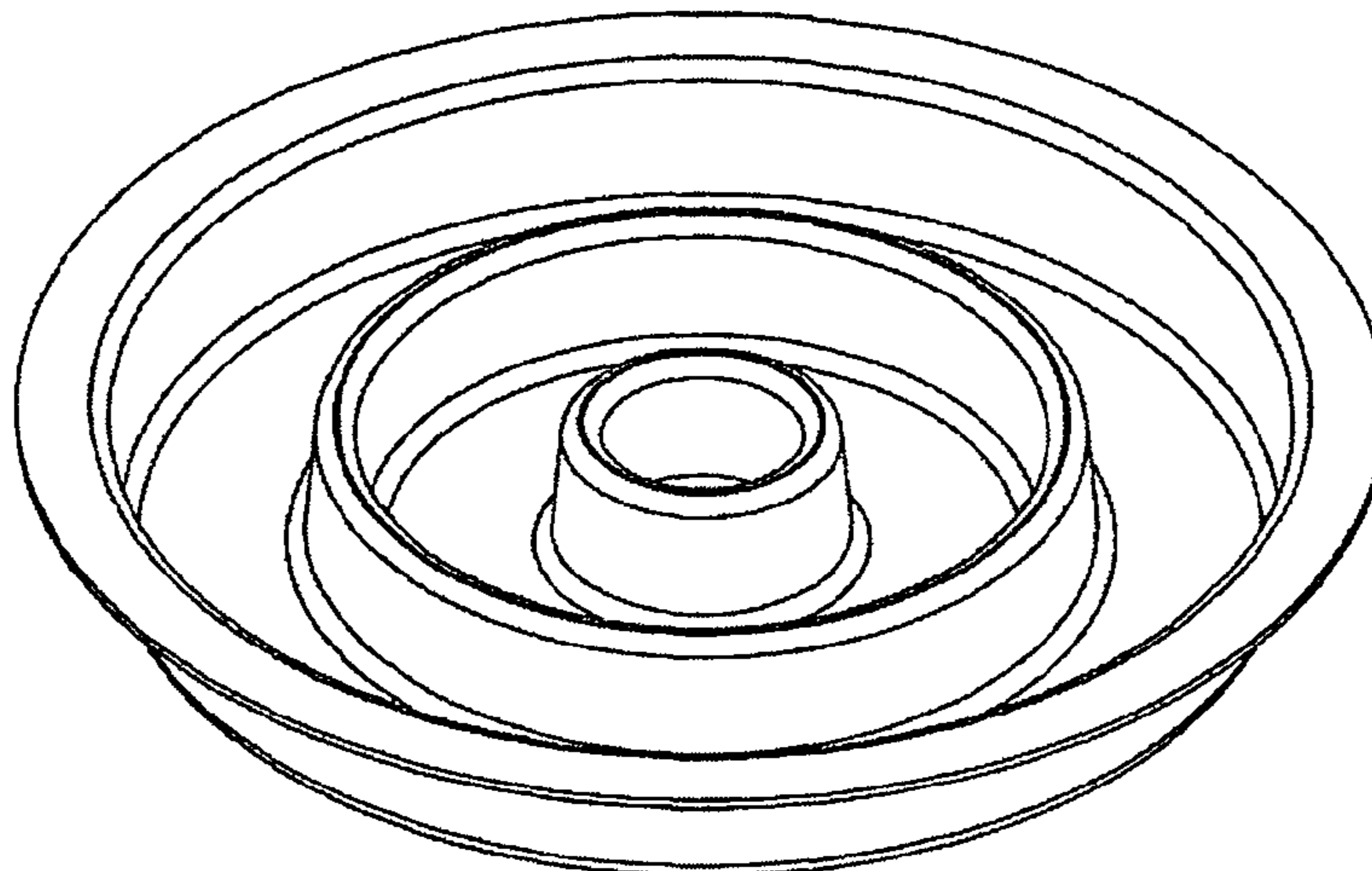


FIGURE 1

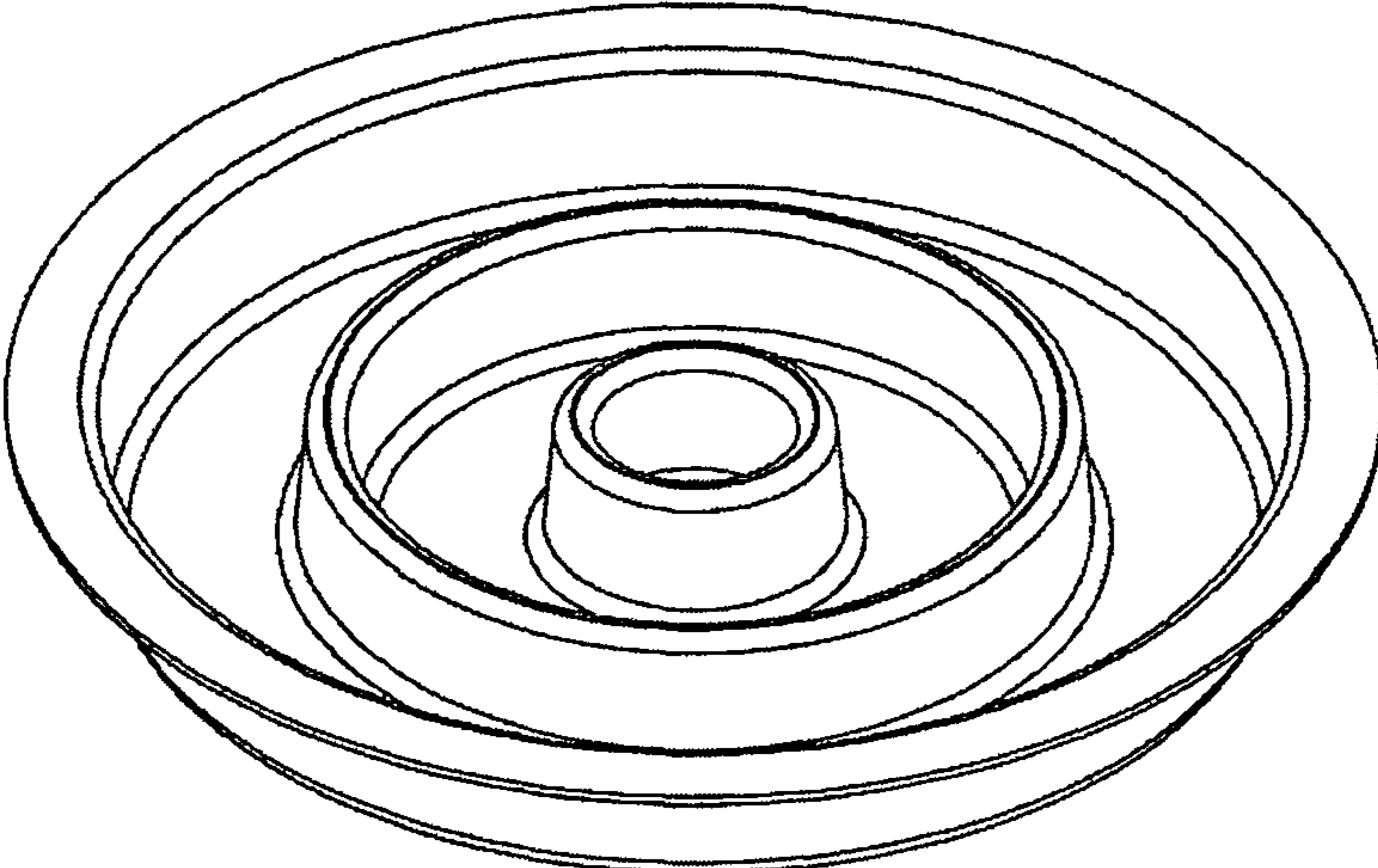


FIGURE 2

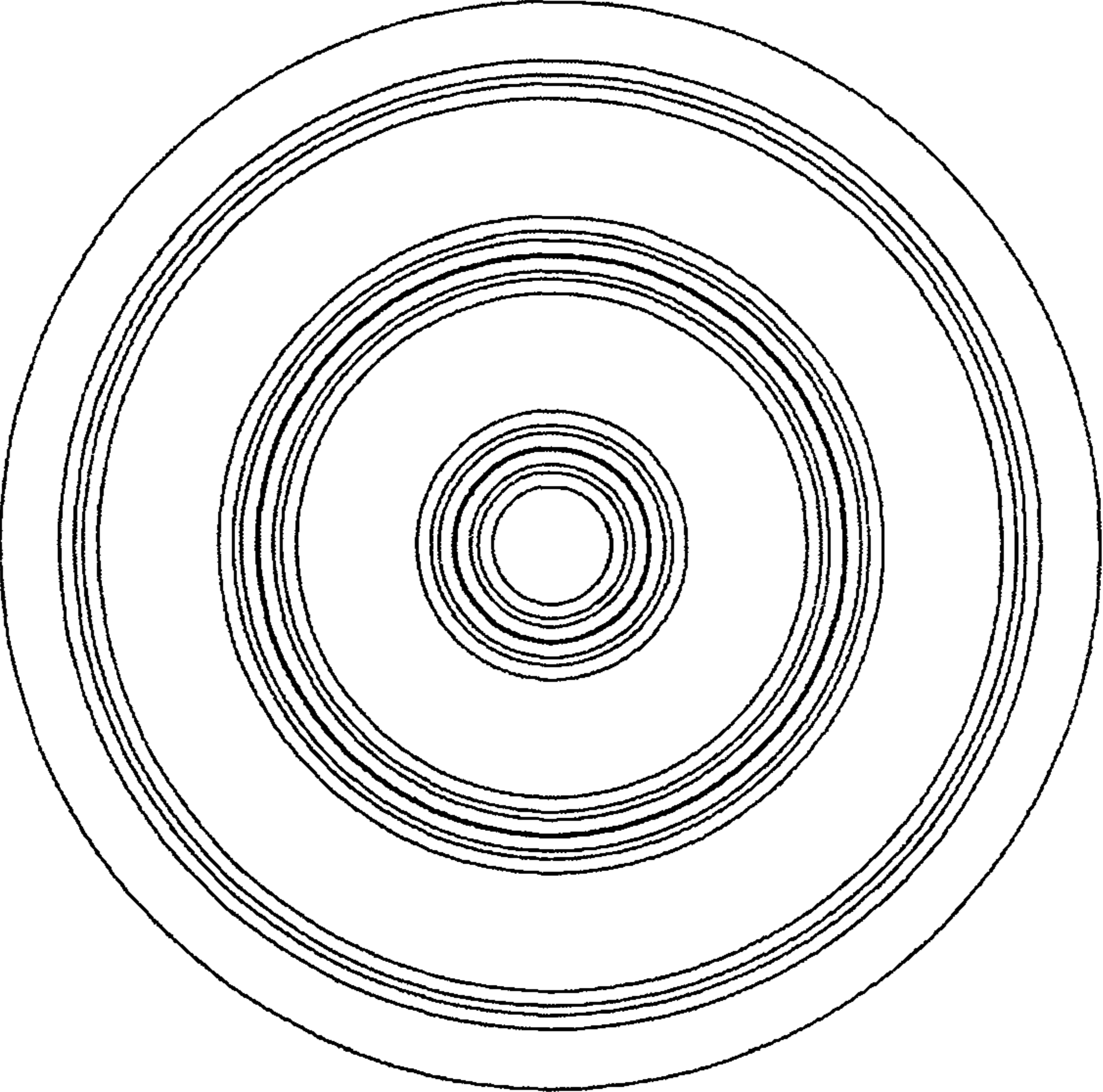


FIGURE 3

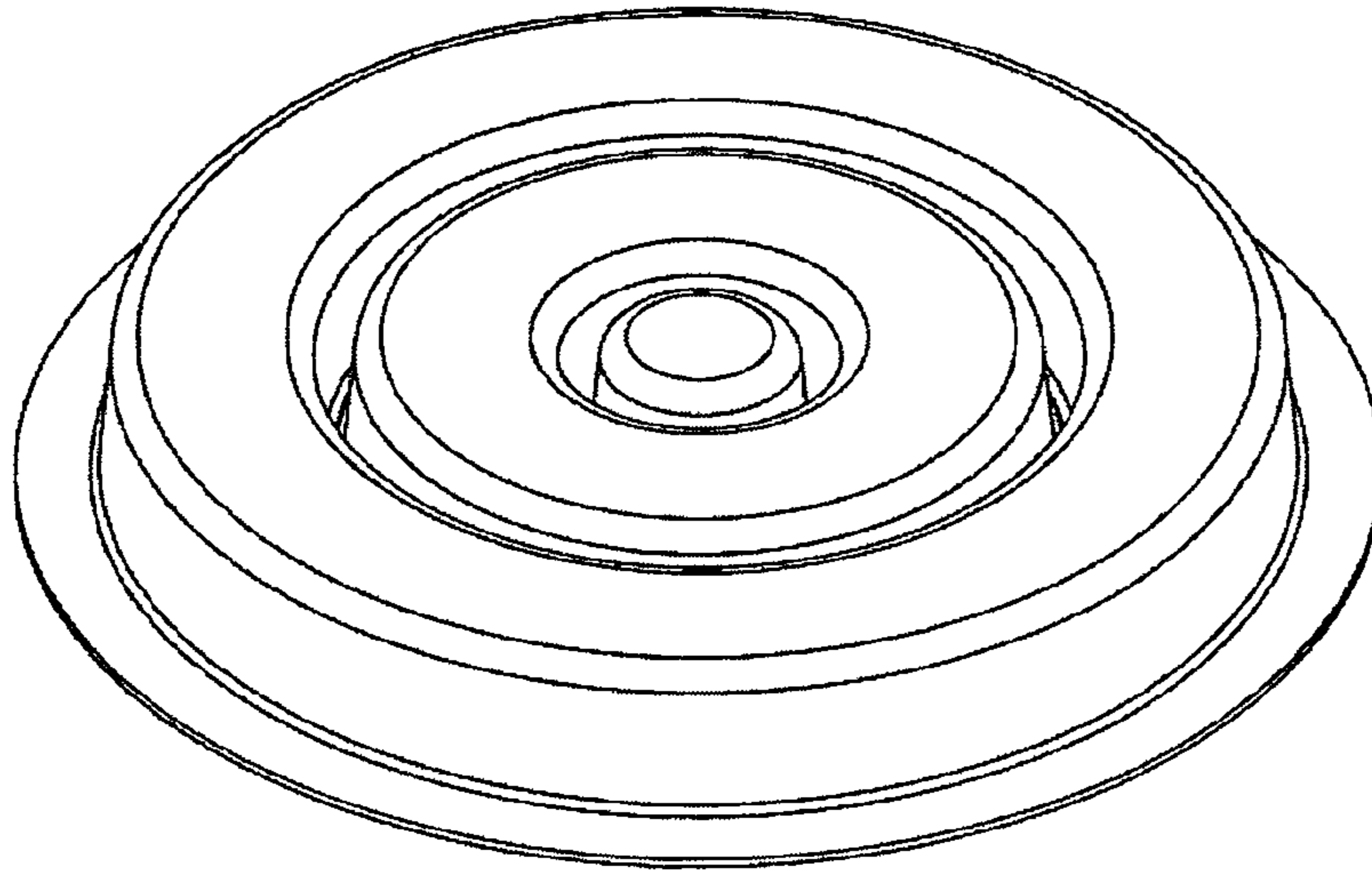


FIGURE 4

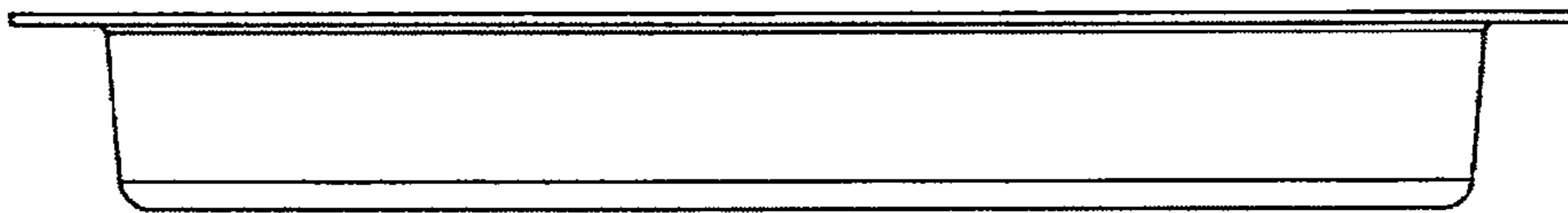


FIGURE 5

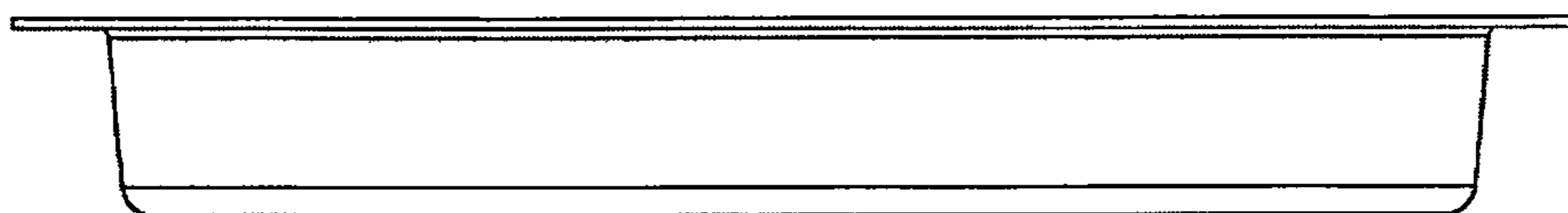


FIGURE 6

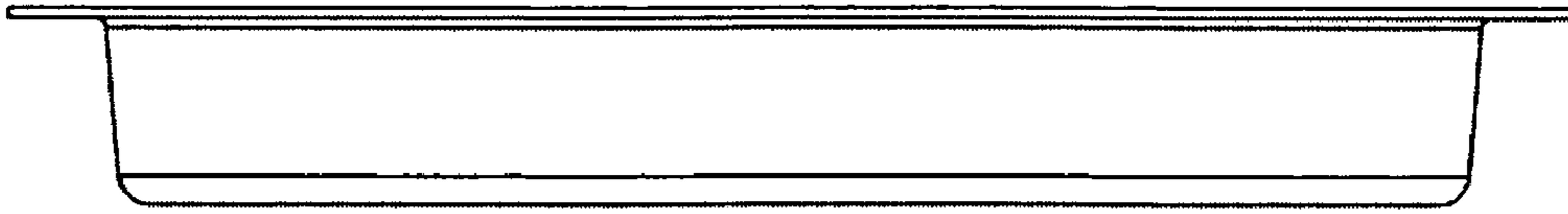


FIGURE 7

