



US00D624353S

(12) **United States Design Patent**
Odeh

(10) **Patent No.:** **US D624,353 S**

(45) **Date of Patent:** **** Sep. 28, 2010**

(54) **COOKING TRAY**

(76) **Inventor:** **Zach Odeh**, 383 Prospect St., Apt. 1,
Cambridge, MA (US) 02139

(**) **Term:** **14 Years**

(21) **Appl. No.:** **29/349,605**

(22) **Filed:** **Apr. 19, 2010**

(51) **LOC (9) Cl.** **07-02**

(52) **U.S. Cl.** **D7/359; D7/354**

(58) **Field of Classification Search** D7/323,
D7/338, 352-363, 393-395, 396.1, 402, 407-410,
D7/456, 546, 554.1, 584, 688; D9/425-427,
D9/430-435, 452, 760-761, 781; 99/340,
99/343, 349, 396, 400-402, 422, 425-426,
99/444-447, 449-450; 126/1 R, 9 A, 9 B,
126/25 A, 25 R, 39 N, 39 K, 41 R, 332, 390.1;
220/377, 573.1-573.3, 752-753, 755-759,
220/912; 248/346.11

See application file for complete search history.

(56) **References Cited**

U.S. PATENT DOCUMENTS

2,652,703 A * 9/1953 Keegan 248/346.11
D377,451 S * 1/1997 Gumowitz et al. D9/432

D427,009 S * 6/2000 Iyengar et al. D7/360
D458,797 S * 6/2002 Kellermann D7/360
D532,247 S * 11/2006 Copeland D7/354
D617,143 S * 6/2010 Cole et al. D7/396.1

* cited by examiner

Primary Examiner—Caron Veynar

Assistant Examiner—Ricky Pham

(74) *Attorney, Agent, or Firm*—Lambert & Associates; Adam
J. Bruno; Gary E. Lambert

(57) **CLAIM**

I claim the ornamental design for a cooking tray, as shown and
described.

DESCRIPTION

FIG. 1 is a front perspective view of a cooking tray showing
my new design;

FIG. 2 is a top view thereof;

FIG. 3 is a bottom perspective view thereof;

FIG. 4 is a front view thereof;

FIG. 5 is a back view thereof;

FIG. 6 is a left side view thereof; and,

FIG. 7 is a right side view thereof.

1 Claim, 3 Drawing Sheets

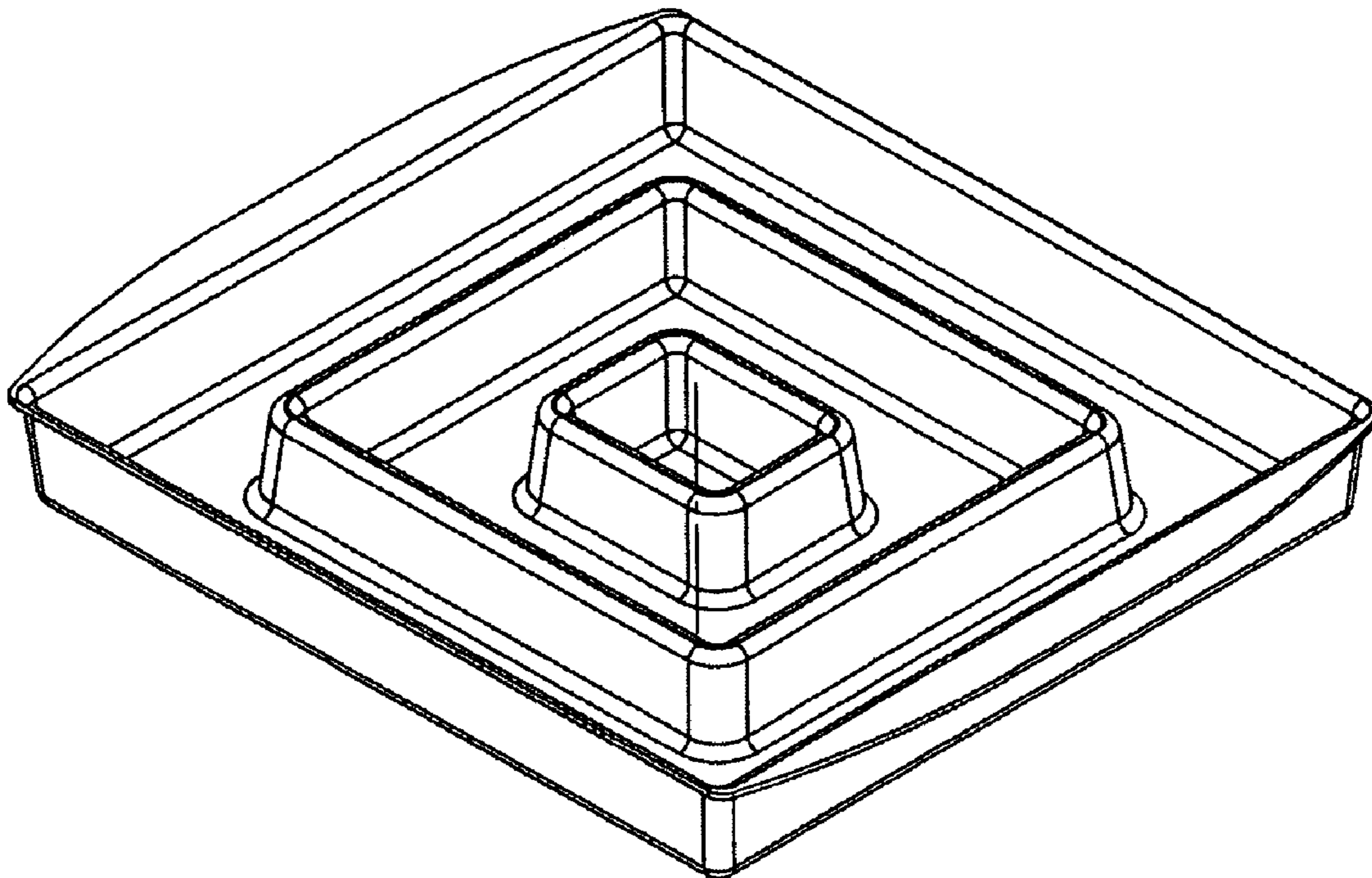


FIGURE 1

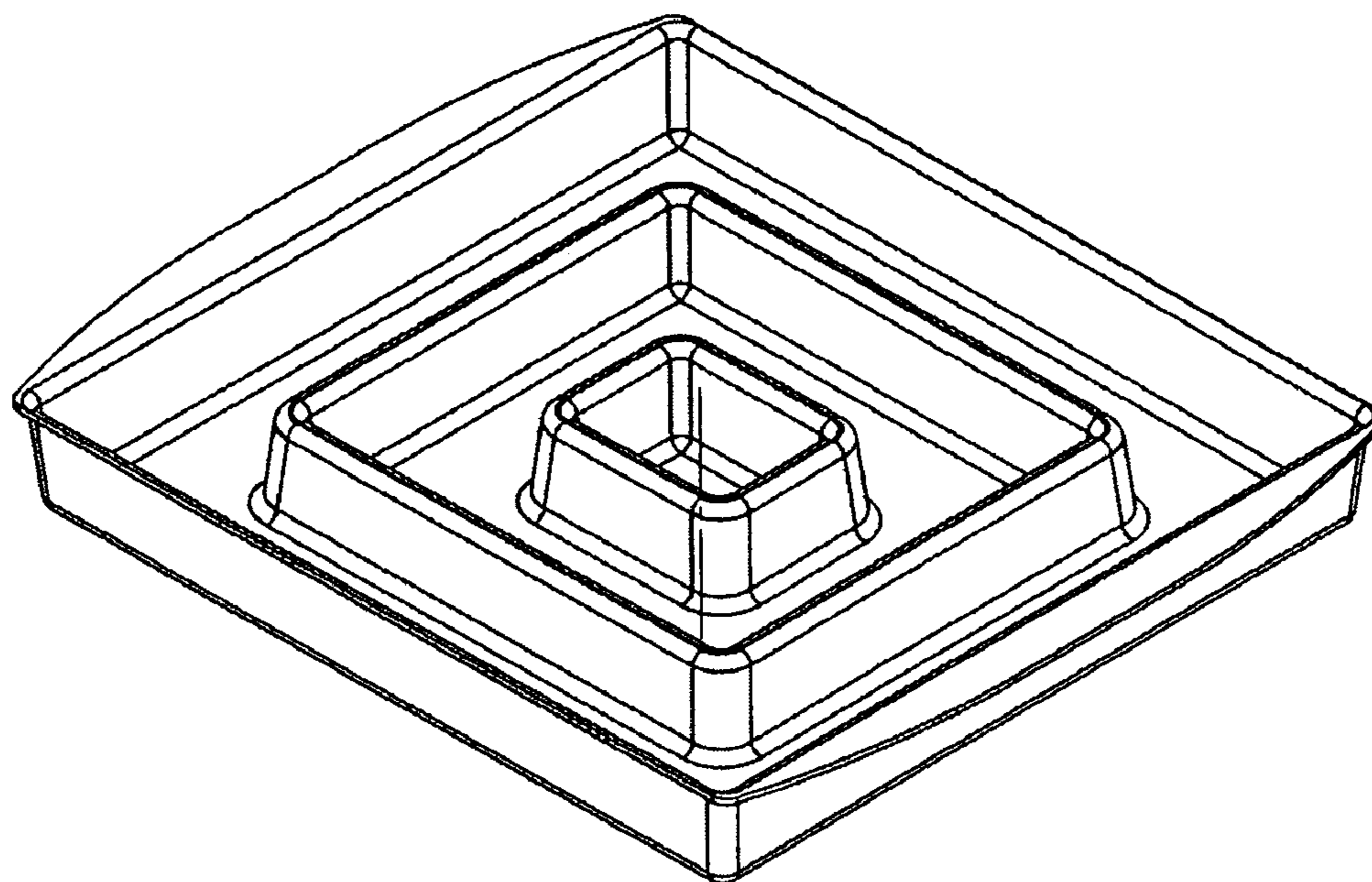


FIGURE 2

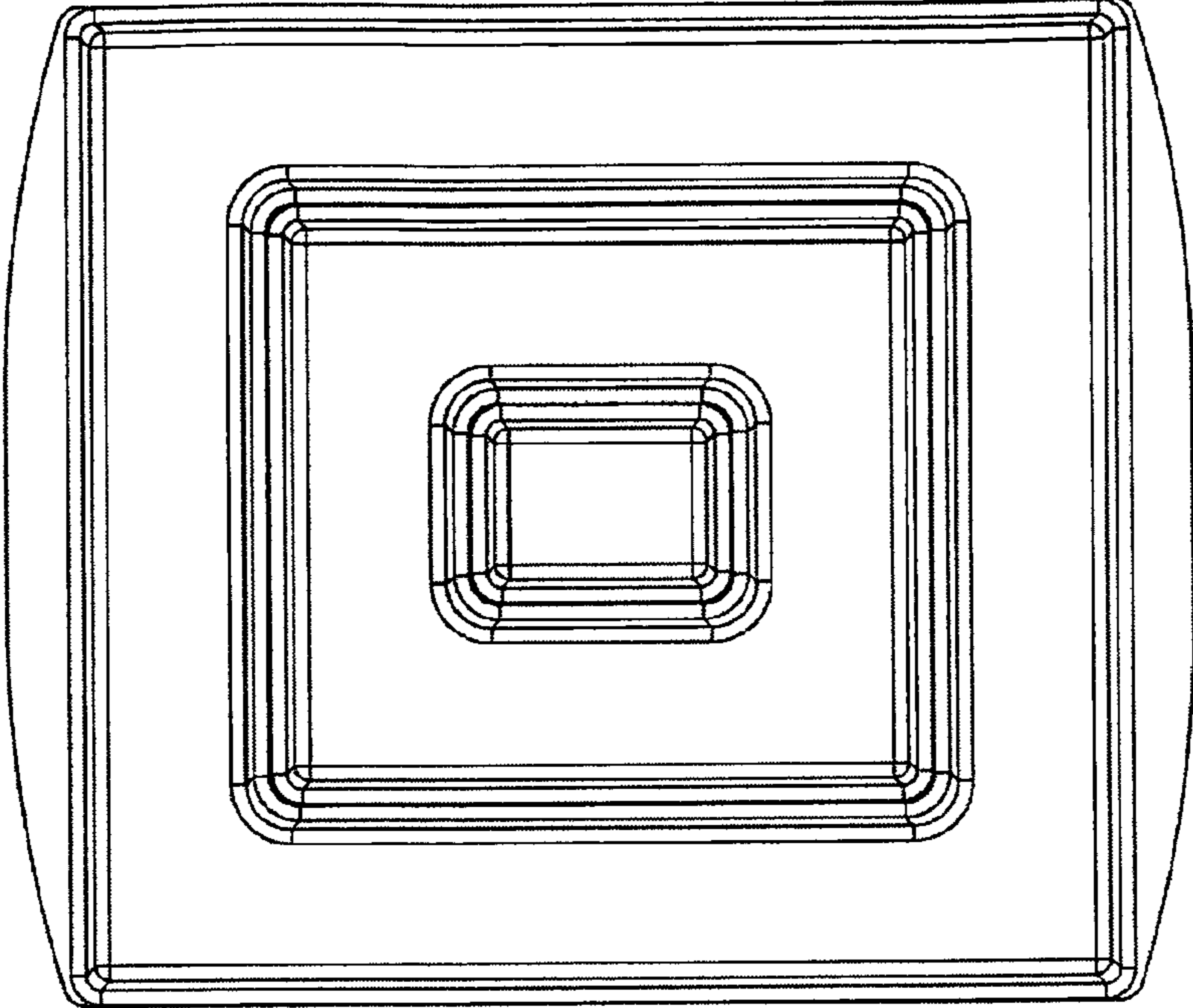


FIGURE 3

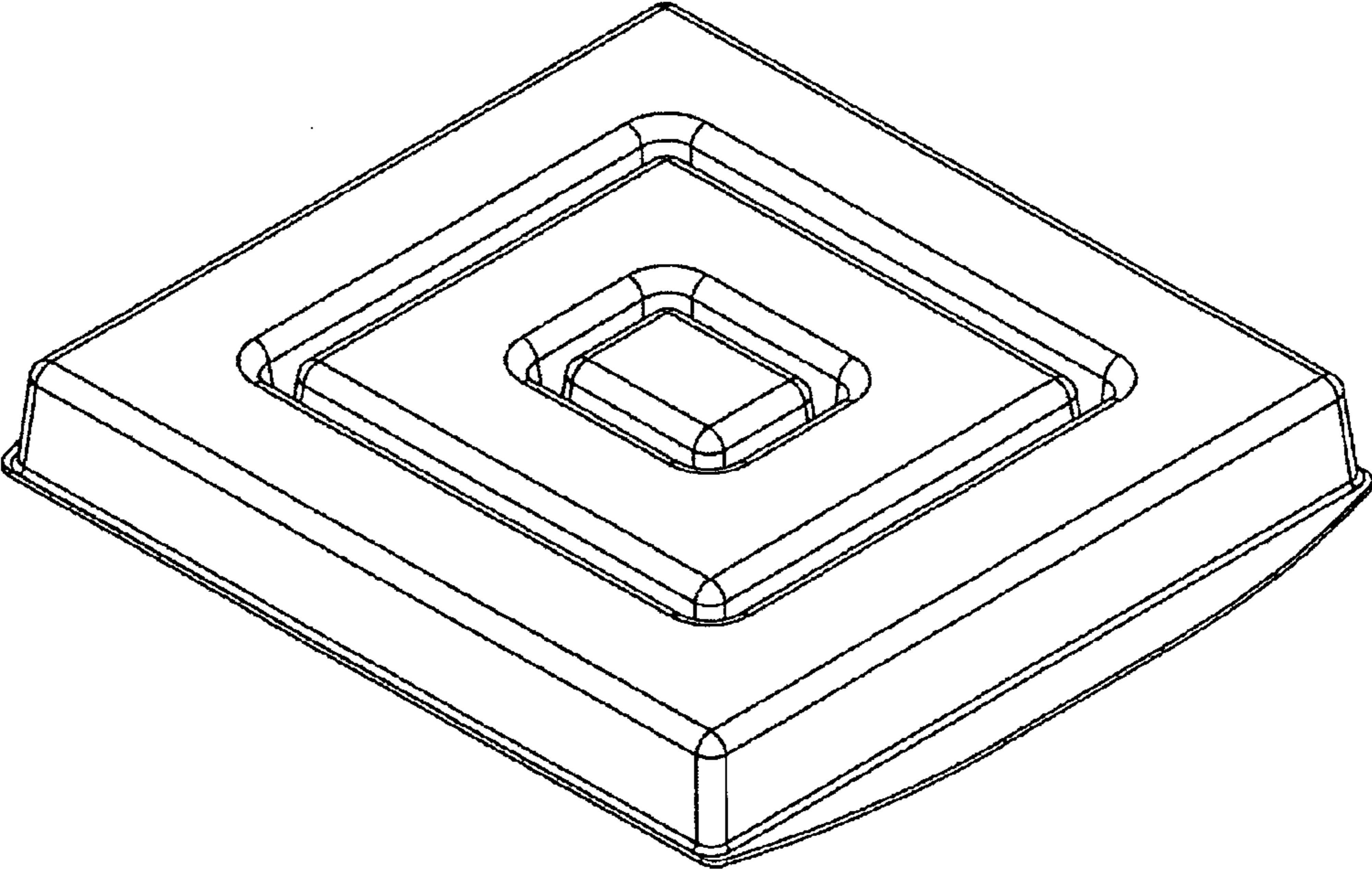


FIGURE 4

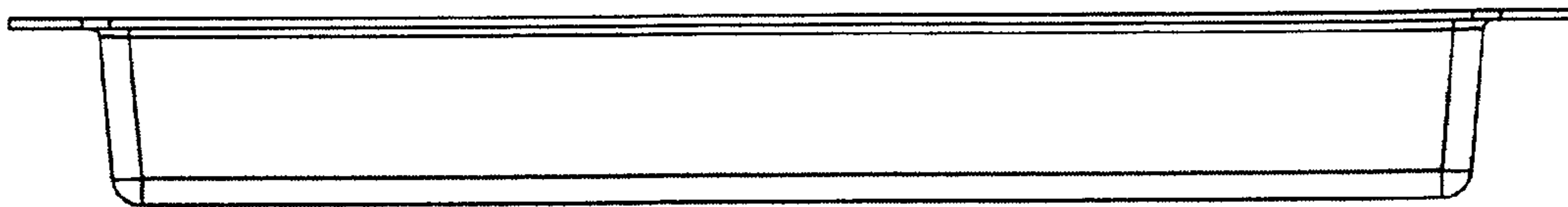


FIGURE 5

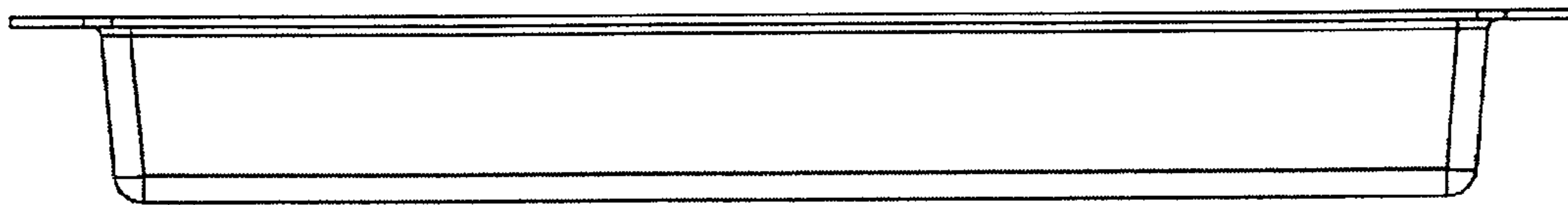


FIGURE 6

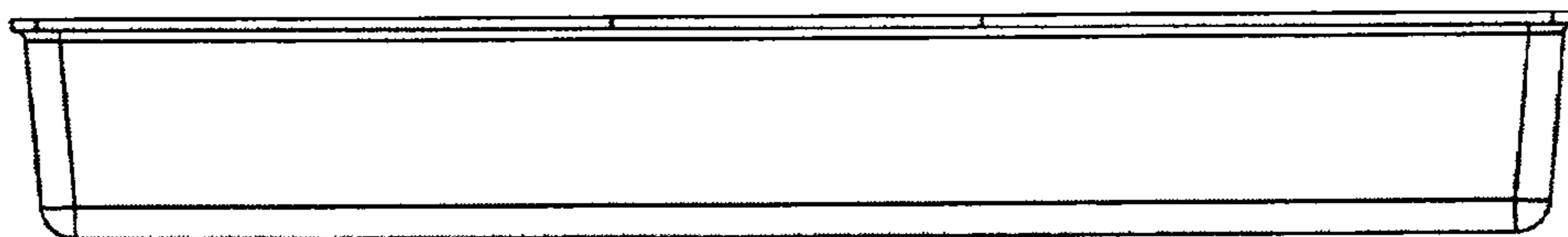


FIGURE 7

