



US00D624350S

(12) **United States Design Patent**  
**Wu**

(10) **Patent No.:** **US D624,350 S**

(45) **Date of Patent:** **\*\* Sep. 28, 2010**

(54) **BARBECUE GRILL**

(76) Inventor: **Bor-Feng Wu**, No. 17, Wunjhong St.,  
Dayuan Township, Taoyuan County  
(TW)

(\*\*) Term: **14 Years**

(21) Appl. No.: **29/354,742**

(22) Filed: **Jan. 28, 2010**

(51) **LOC (9) Cl.** ..... **15-05**

(52) **U.S. Cl.** ..... **D7/334**

(58) **Field of Classification Search** ..... D7/332,  
D7/334-336, 402-404, 408; 126/25 R, 25 A,  
126/25 AA, 41 R, 29-30, 9 R, 9 B, 38, 37 R,  
126/40, 50; 99/359, 344, 446-449, 473,  
99/481-482, 419, 421 HV, 421 R, 421 H  
See application file for complete search history.

(56) **References Cited**

**U.S. PATENT DOCUMENTS**

- D284,443 S \* 7/1986 Parlour ..... D7/334
- 5,355,867 A \* 10/1994 Hall et al. .... 126/30
- 5,473,979 A \* 12/1995 Ruben ..... 99/446
- D374,371 S \* 10/1996 Hall McDonald ..... D7/332
- D550,022 S \* 9/2007 Amajuwon et al. .... D7/332
- D574,177 S \* 8/2008 Hulsey ..... D7/335

- D583,185 S \* 12/2008 Rutter et al. .... D7/334
- D592,442 S \* 5/2009 Rutter et al. .... D7/334
- D608,135 S \* 1/2010 Siow et al. .... D7/335
- D614,435 S \* 4/2010 Lin ..... D7/334
- 2009/0199839 A1 \* 8/2009 Hulsey ..... 126/25 A

\* cited by examiner

*Primary Examiner*—Ruth McInroy

(74) *Attorney, Agent, or Firm*—WPAT, P.C.; Anthony King

(57) **CLAIM**

I claim, the ornamental design for a barbecue grill, as shown and described.

**DESCRIPTION**

FIG. 1 is a perspective view of a barbecue grill showing my present design;

FIG. 2 is a front view thereof;

FIG. 3 is a rear view thereof;

FIG. 4 is a left view thereof;

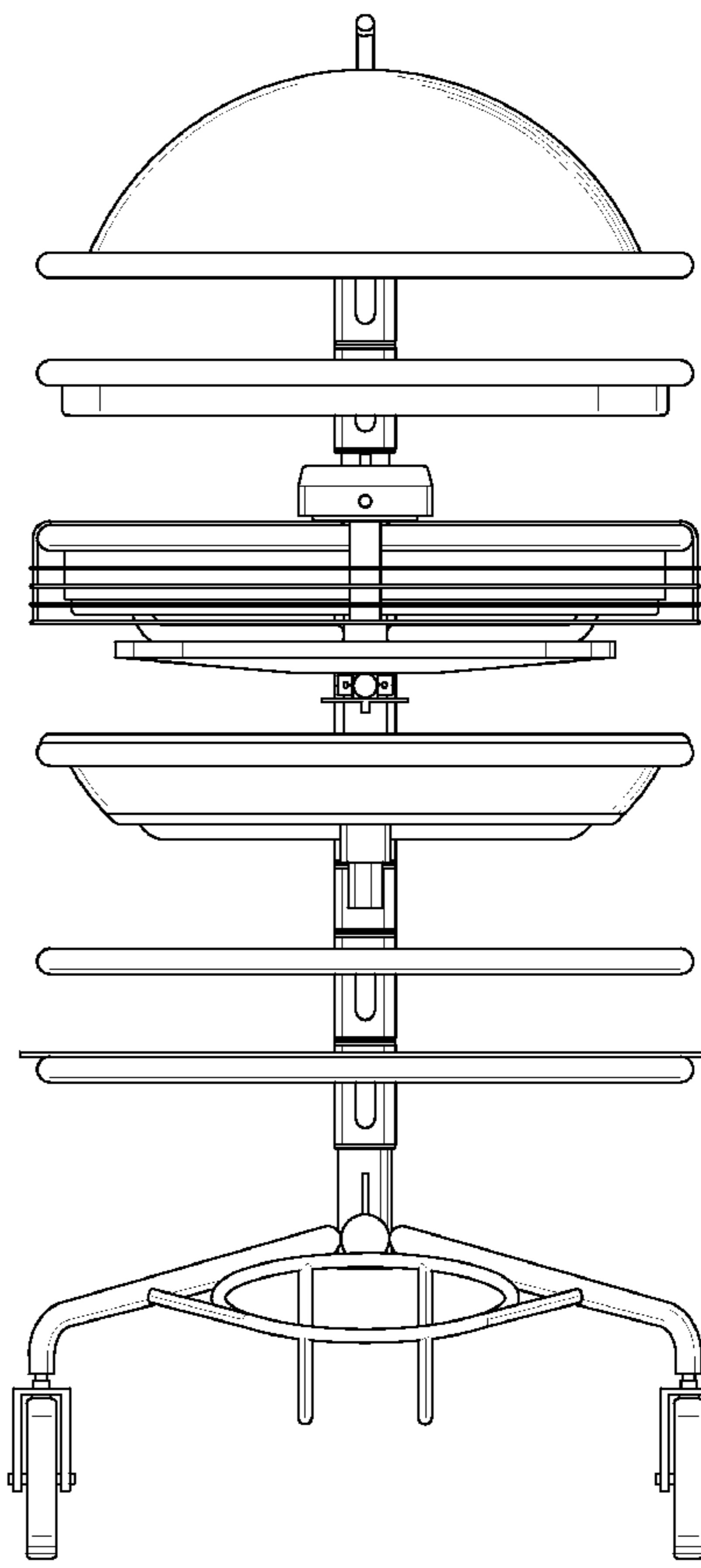
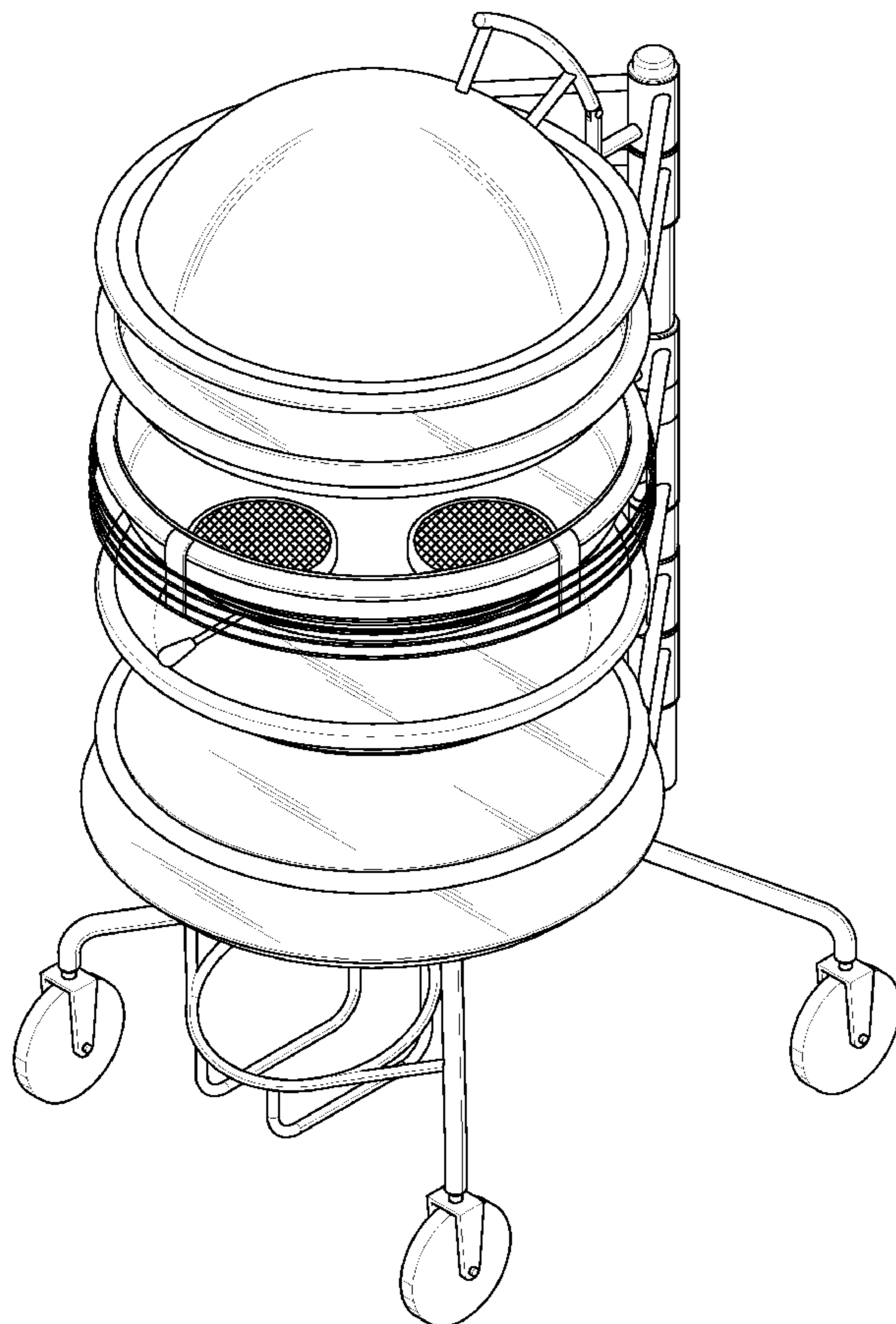
FIG. 5 is a right view thereof;

FIG. 6 is a top plan view thereof;

FIG. 7 is a bottom plan view thereof; and,

FIG. 8 is a perspective view thereof in an open position.

**1 Claim, 8 Drawing Sheets**



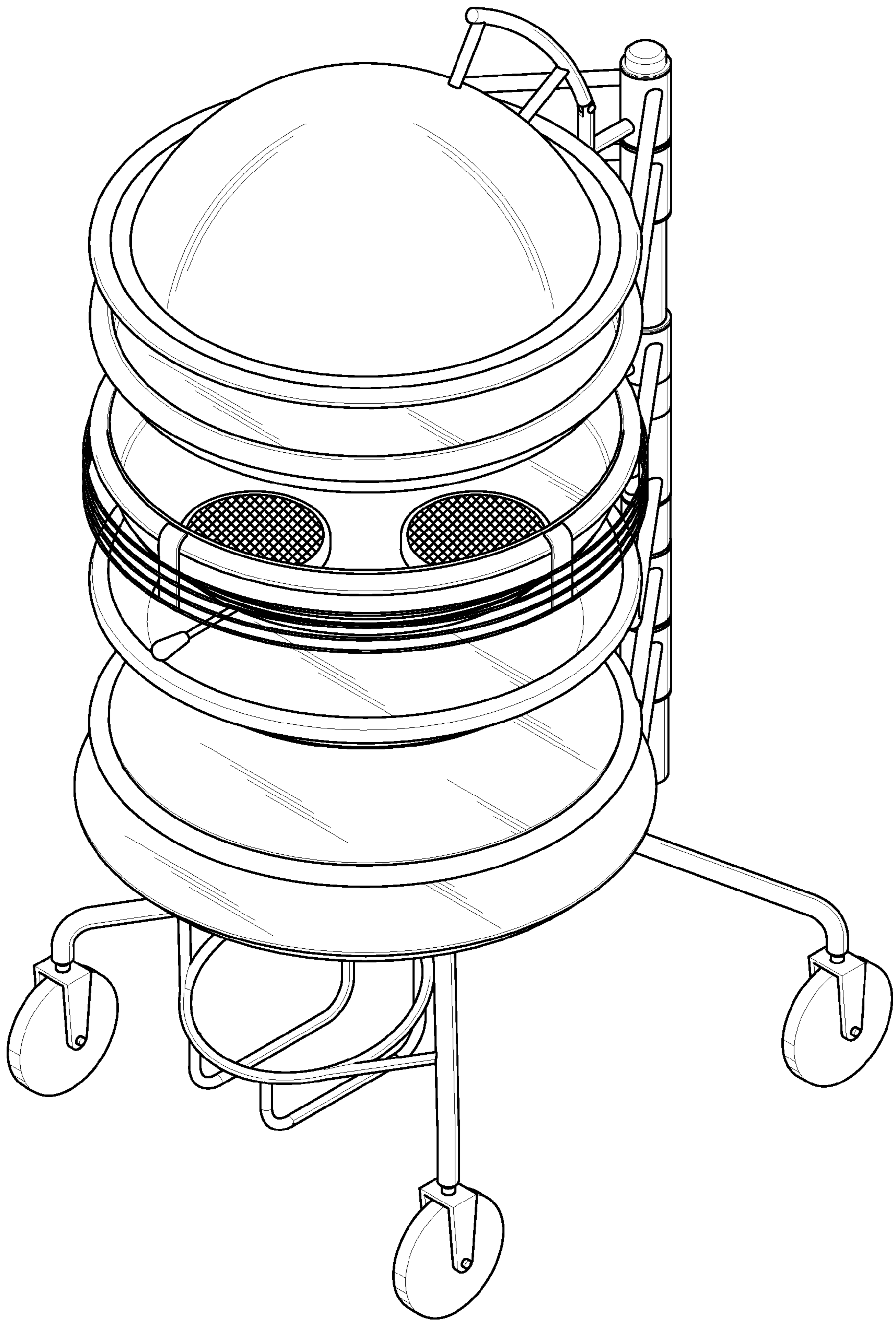


FIG. 1

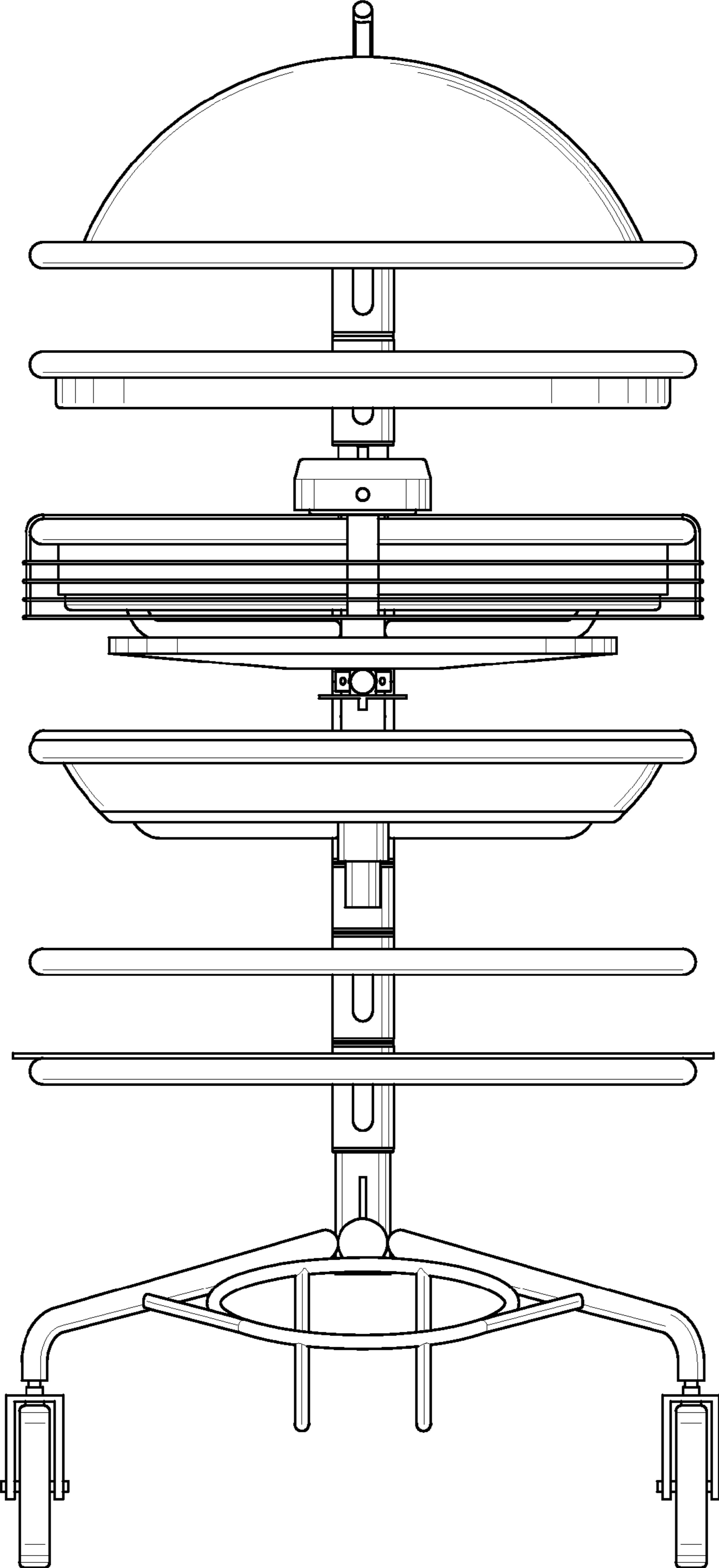


FIG. 2

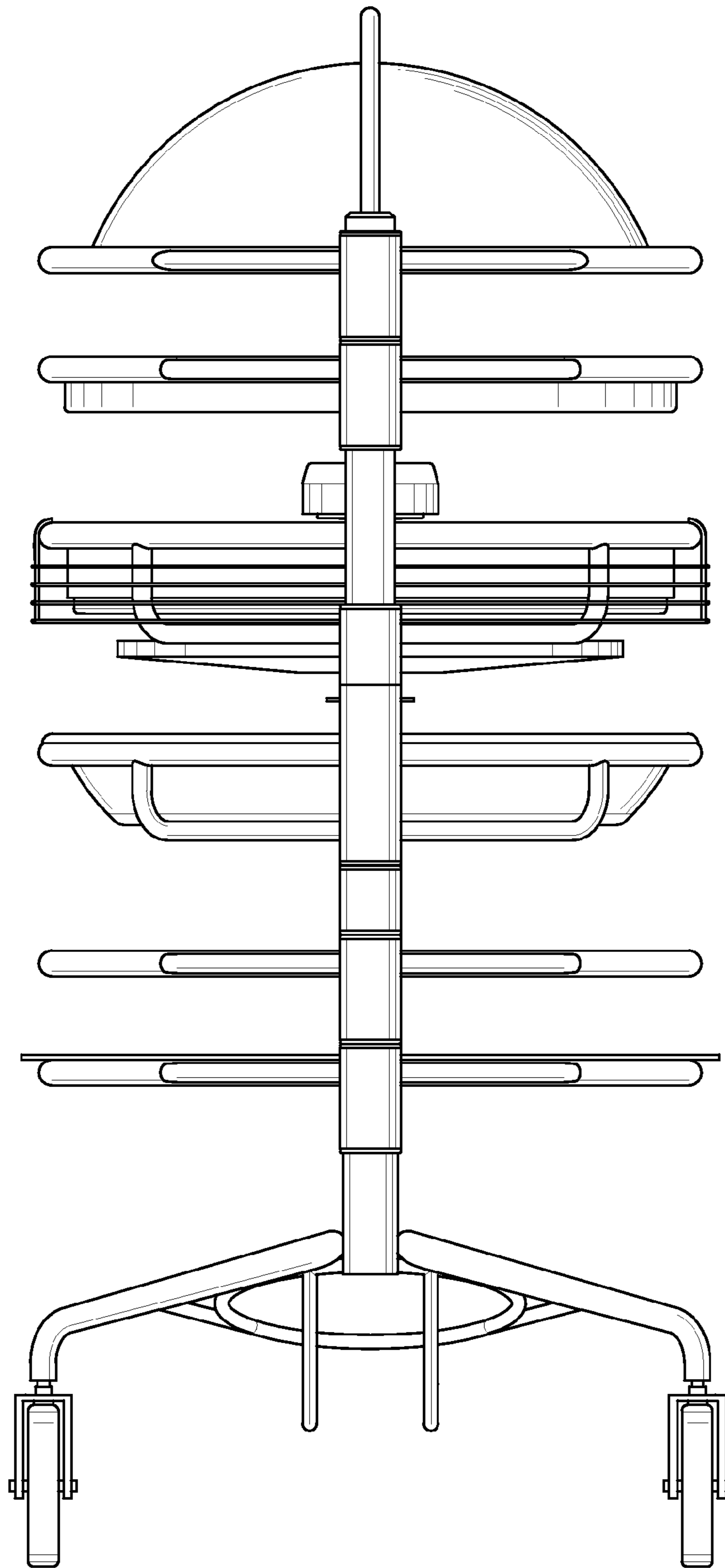


FIG. 3

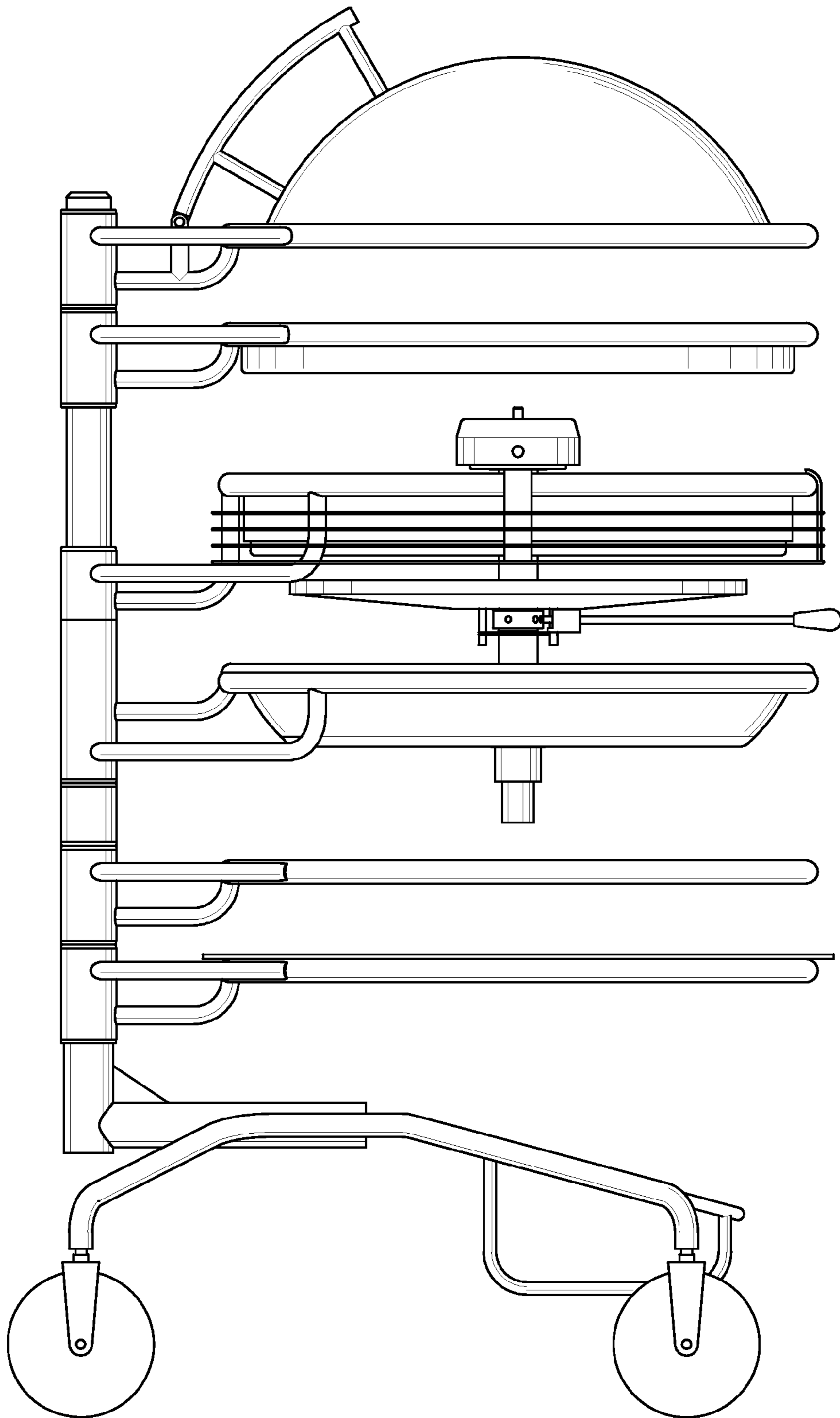


FIG. 4

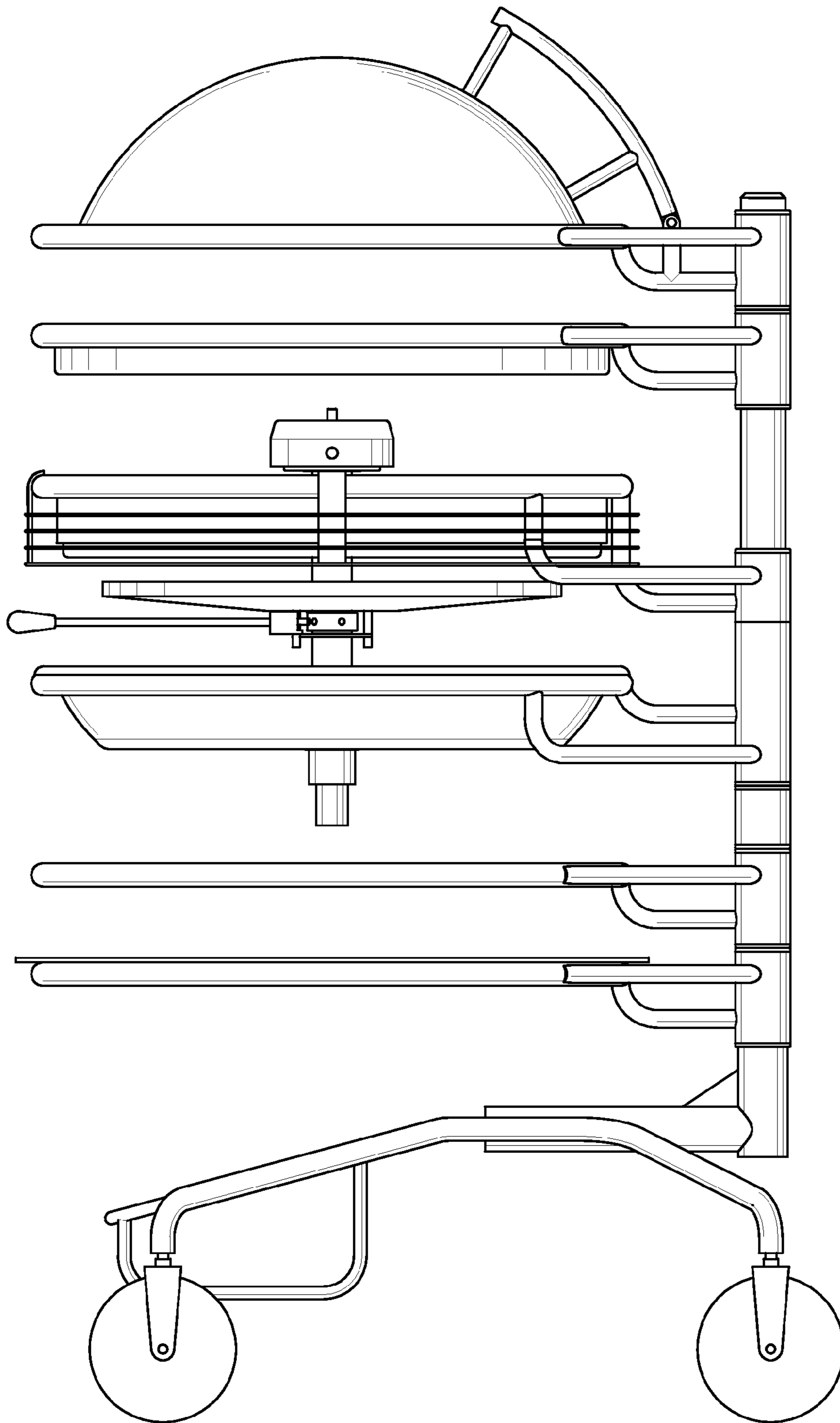


FIG. 5

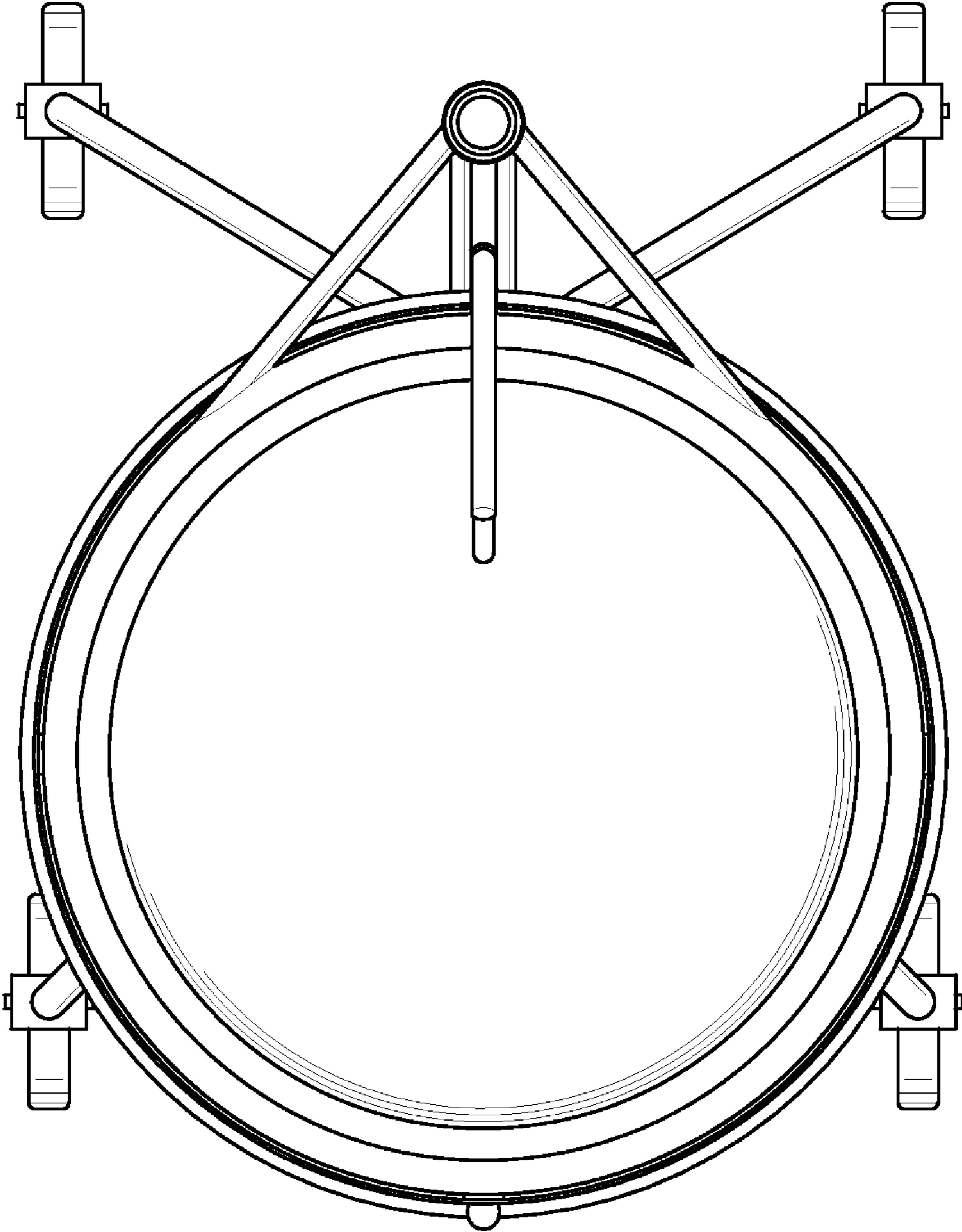


FIG. 6

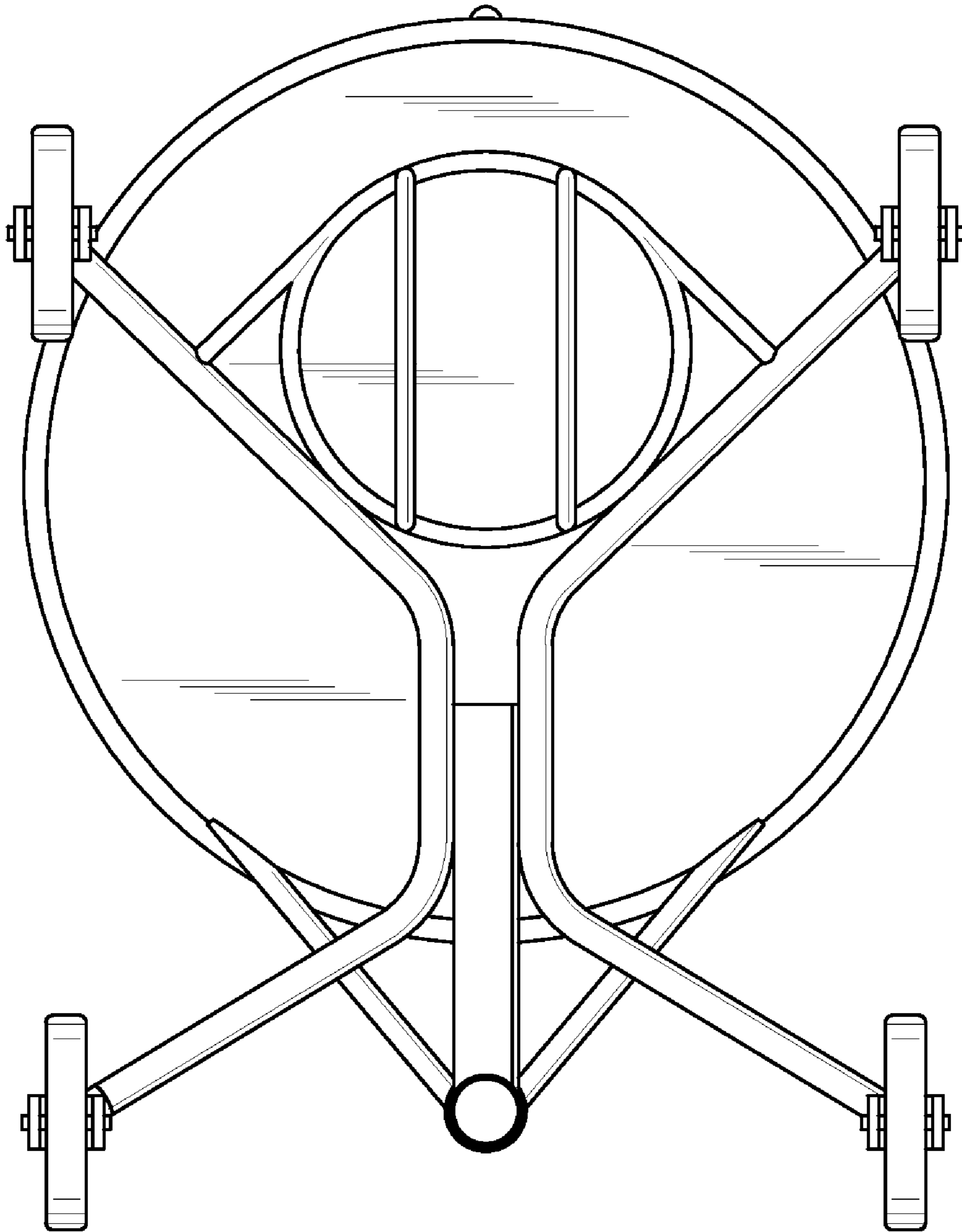


FIG. 7



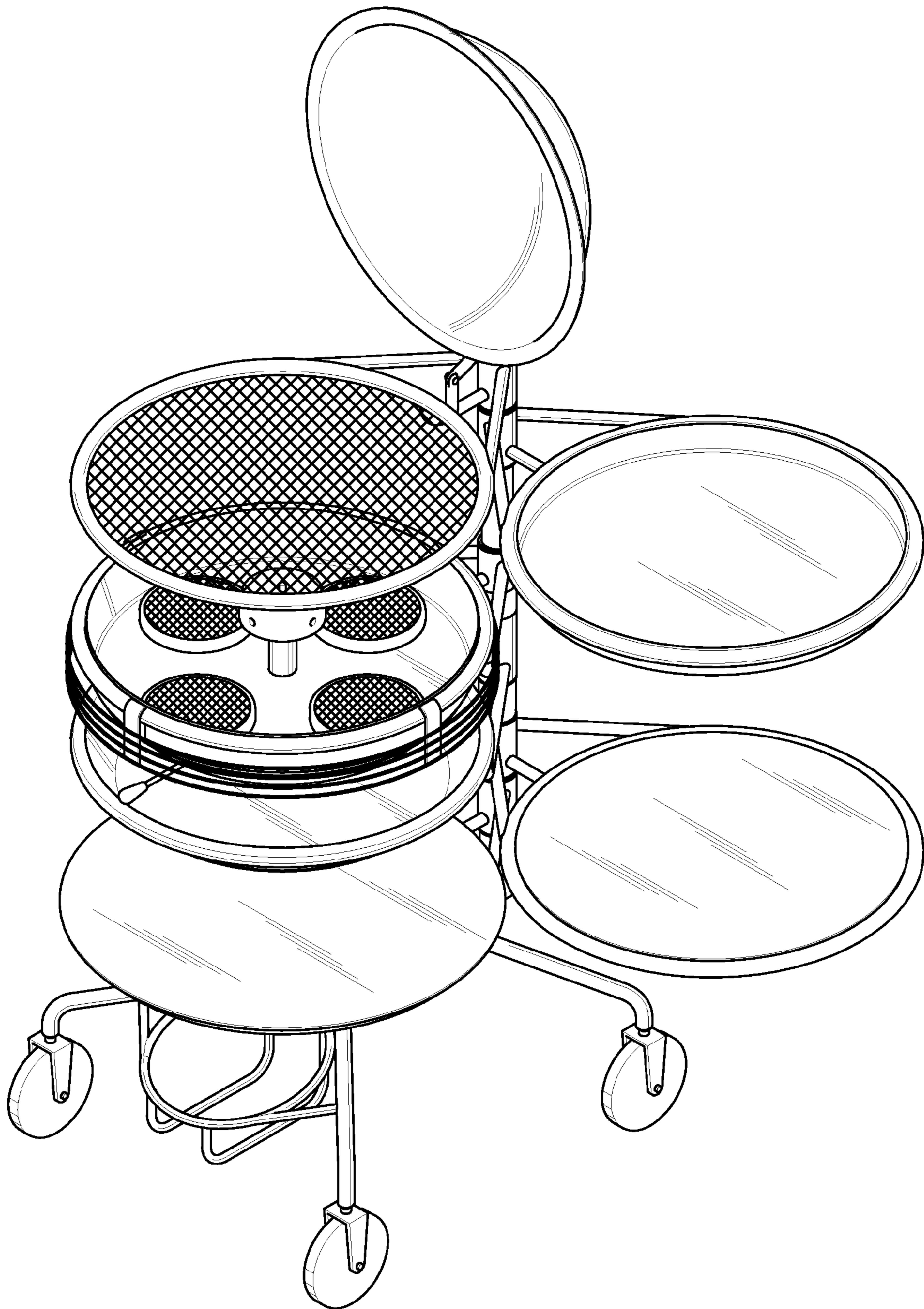


FIG. 8