



US00D624349S

(12) **United States Design Patent**
Tiller et al.

(10) **Patent No.:** **US D624,349 S**

(45) **Date of Patent:** **** Sep. 28, 2010**

(54) **STAND FOR A BARBEQUE**

(75) Inventors: **Robert Bruce Tiller**, New South Wales (AU); **Joseph Ormrod**, New South Wales (AU); **Joshua Morabito**, New South Wales (AU)

(73) Assignee: **Shriro Australia Pty Limited**, New South Wales (AU)

(**) Term: **14 Years**

(21) Appl. No.: **29/345,733**

(22) Filed: **Oct. 21, 2009**

(30) **Foreign Application Priority Data**

Apr. 21, 2009 (AU) 11367/2009

(51) **LOC (9) Cl.** **07-02**

(52) **U.S. Cl.** **D7/334**

(58) **Field of Classification Search** D7/332, D7/334-336, 402-404, 408; 126/25 R, 25 A, 126/25 AA, 41 R, 29-30, 9 R, 9 B, 38, 37 R, 126/40, 50; 99/359, 344, 446-449, 473, 99/481-482, 419, 421 HV, 421 R, 421 H
See application file for complete search history.

(56) **References Cited**

U.S. PATENT DOCUMENTS

- D142,866 S * 11/1945 Berliner et al. D7/334
- D229,661 S * 12/1973 Lambertson D7/334
- D327,390 S * 6/1992 Schlosser et al. D7/334
- D375,436 S * 11/1996 Bird et al. D7/403
- D395,378 S * 6/1998 Schlosser et al. D7/403
- D428,303 S * 7/2000 Wagner et al. D7/403

- D448,615 S * 10/2001 Coleman D7/402
- D454,028 S * 3/2002 Coleman D7/334
- D454,031 S * 3/2002 Crookshanks D7/402
- D488,026 S * 4/2004 Tseng D7/403
- D516,861 S * 3/2006 Nipke D7/403
- D538,104 S * 3/2007 Nipke D7/402
- D572,519 S * 7/2008 Thomas D7/334

* cited by examiner

Primary Examiner—Ruth McInroy

(74) *Attorney, Agent, or Firm*—Fitch, Even, Tabin & Flanner

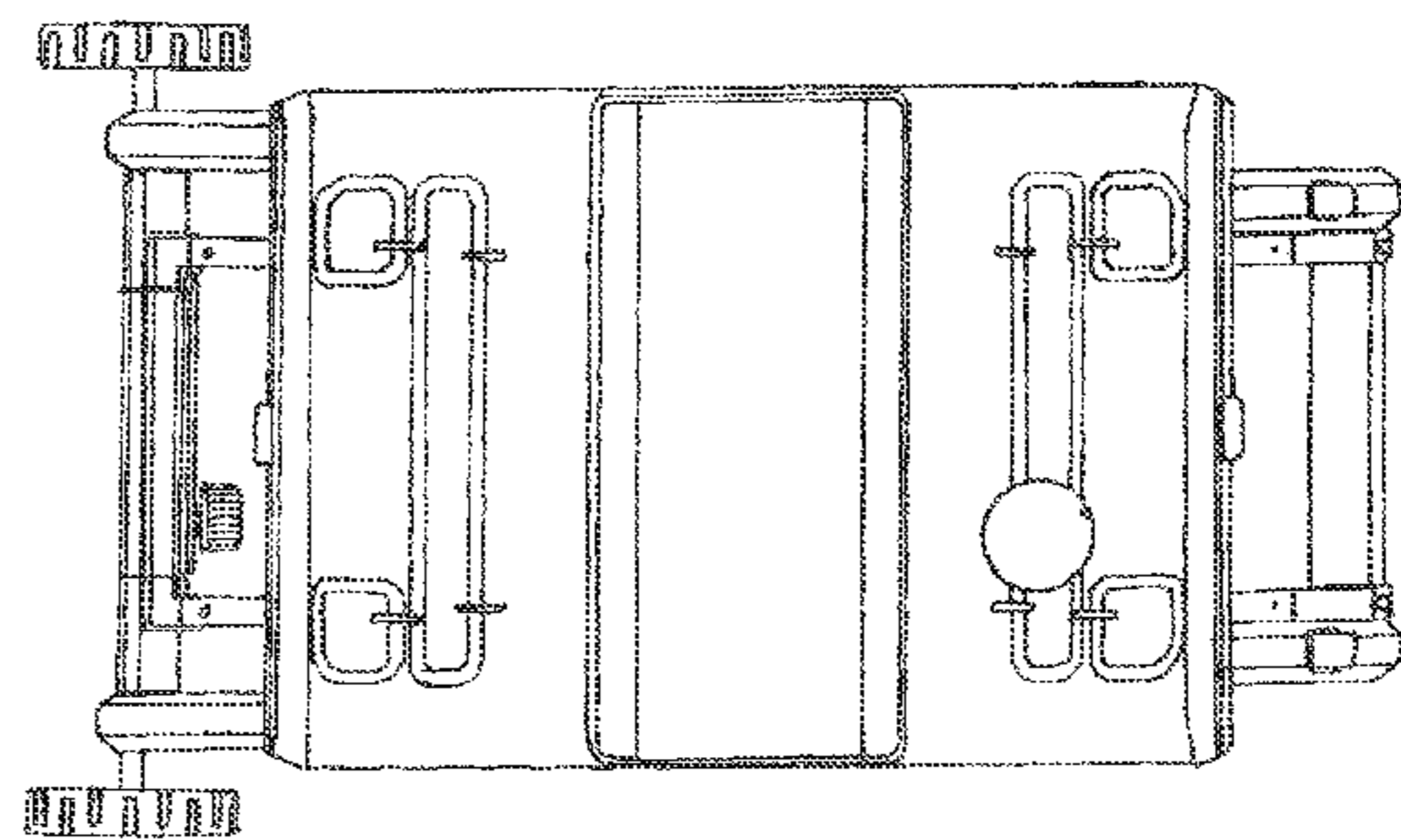
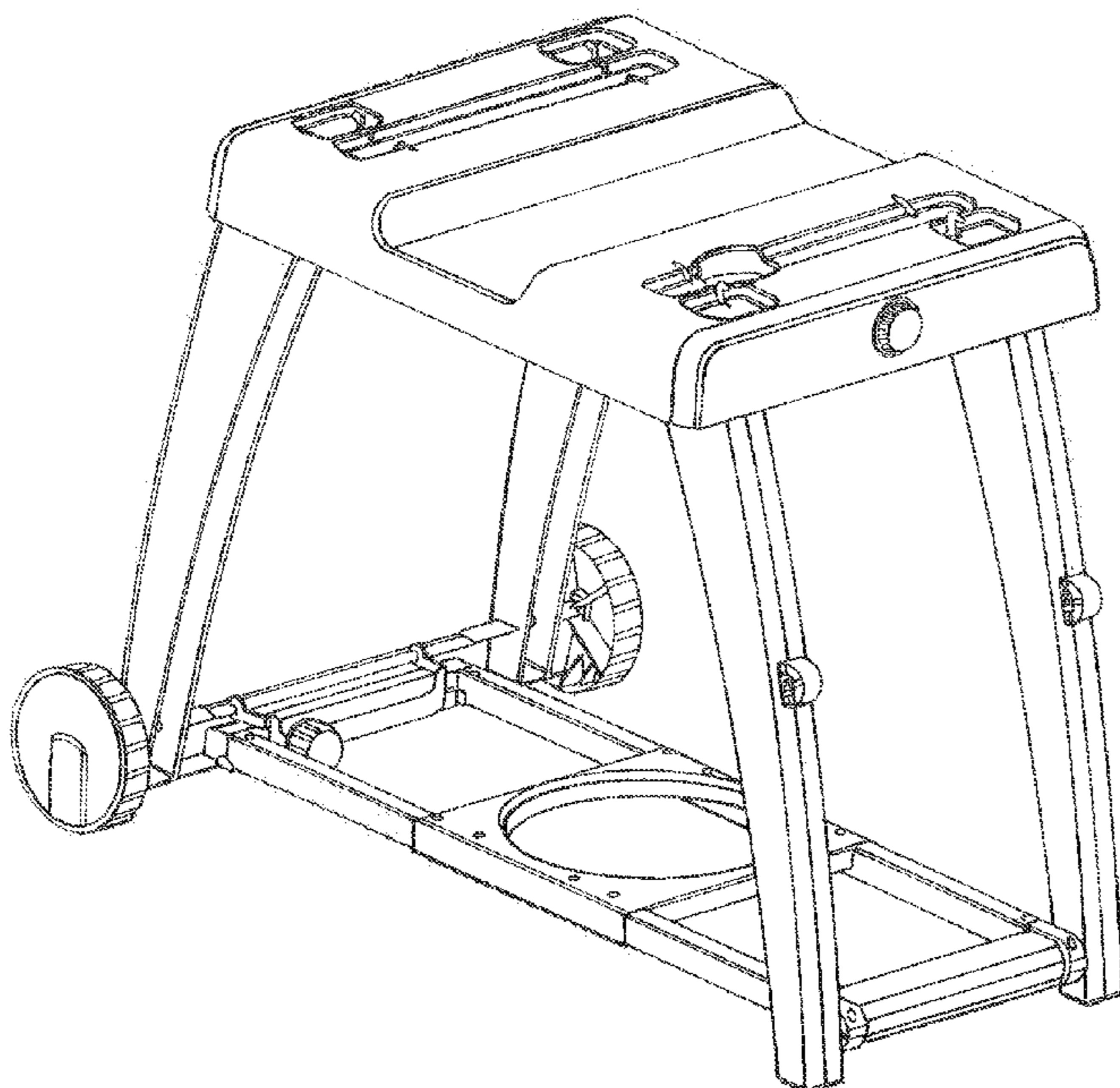
(57) **CLAIM**

We claim the ornamented design for a stand for a barbeque, as shown and described.

DESCRIPTION

FIG. 1 is a perspective view of the stand for a barbeque showing our new design in an extended, use configuration; FIG. 2 is a rear perspective view thereof; FIG. 3 is a front elevational view thereof; FIG. 4 is a rear elevational view thereof; FIG. 5 is a top plan view thereof; FIG. 6 is a bottom plan view thereof; FIG. 7 is a right side elevational view thereof; FIG. 8 is a left side elevational view thereof; FIG. 9 is a front perspective view of the stand for a barbeque in a collapsed, storage configuration; and, FIG. 10 is a rear perspective view of the stand for a barbeque in the collapsed, storage configuration.

1 Claim, 6 Drawing Sheets



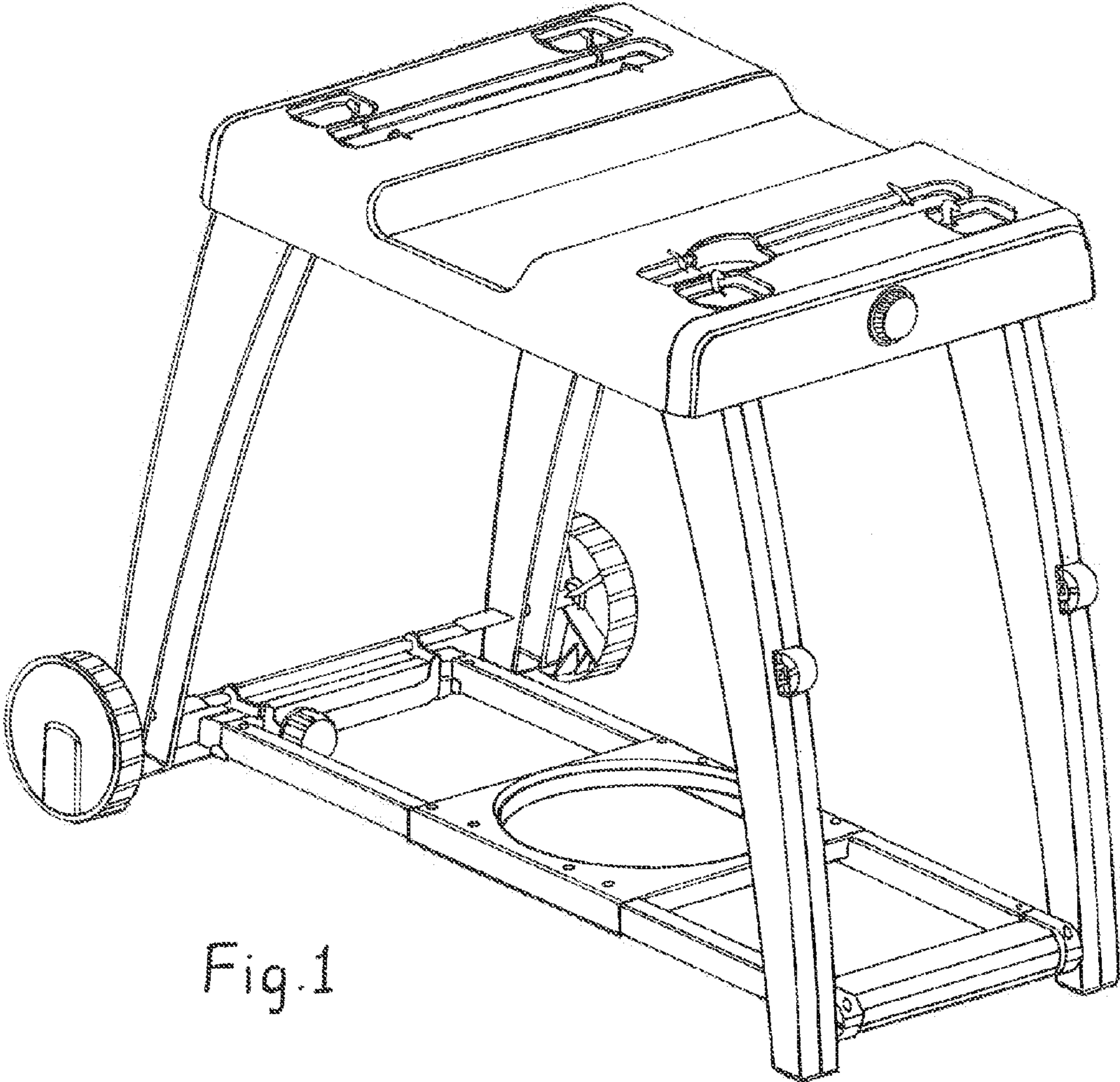


Fig.1

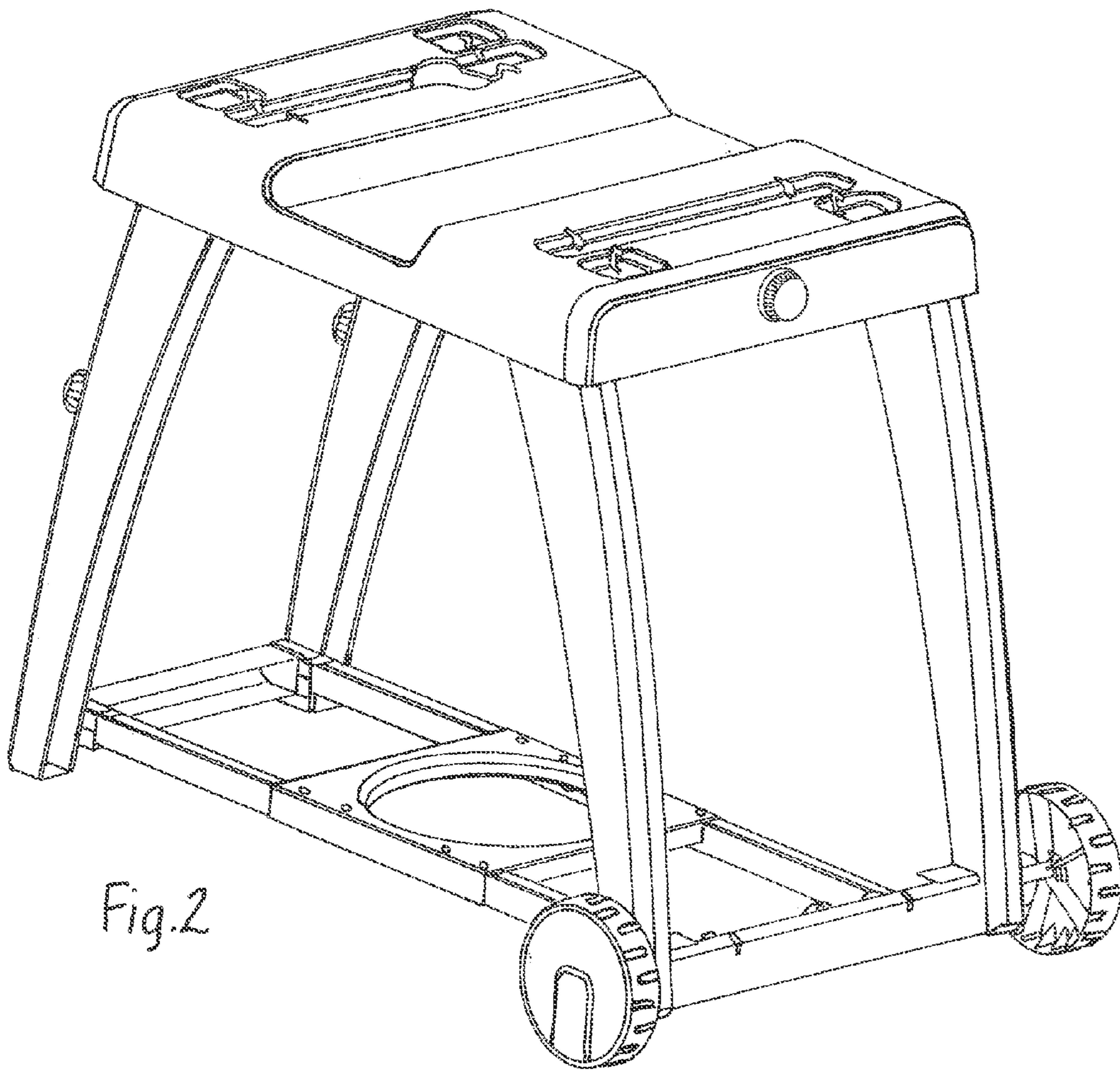


Fig. 2

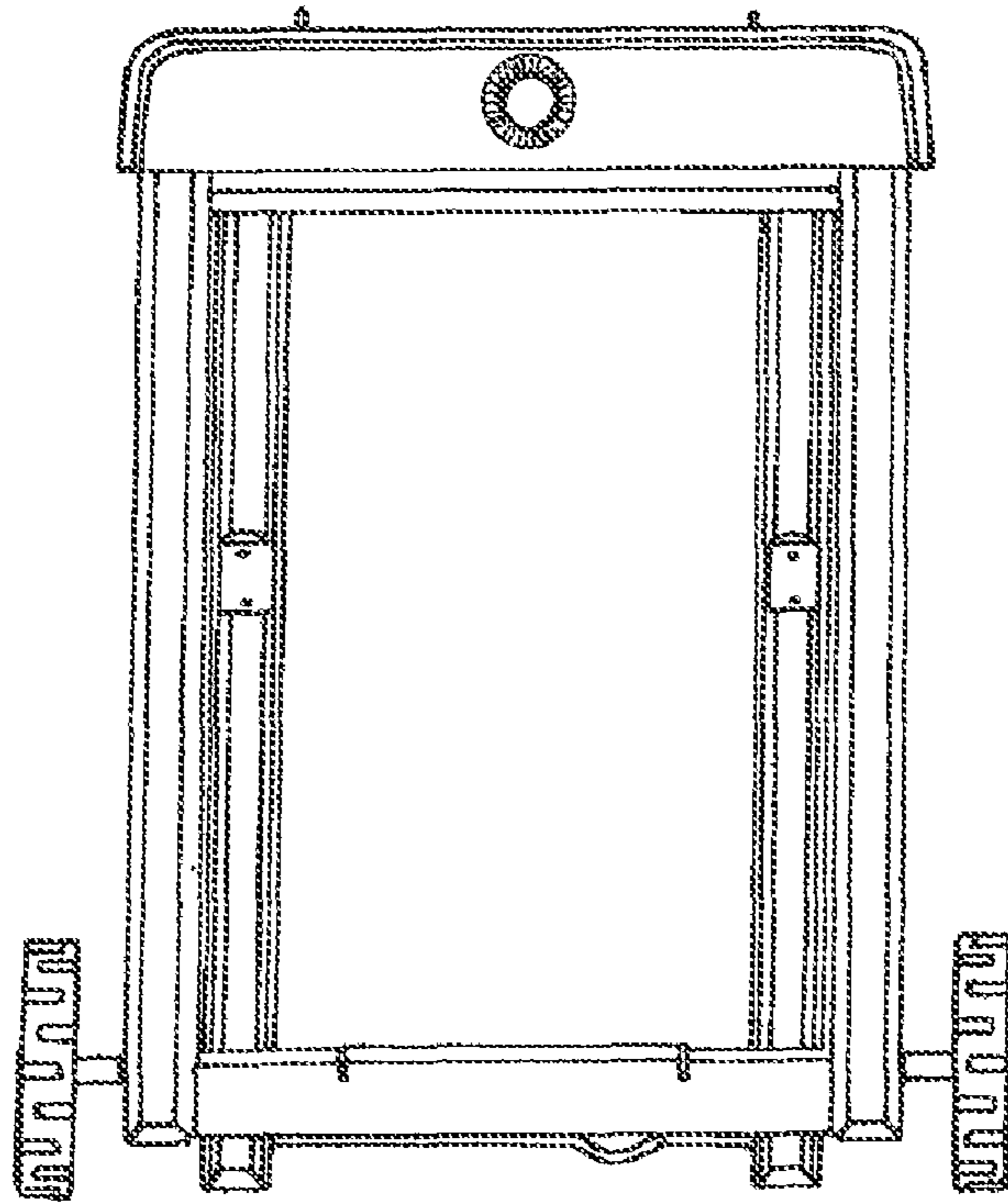


Fig. 3

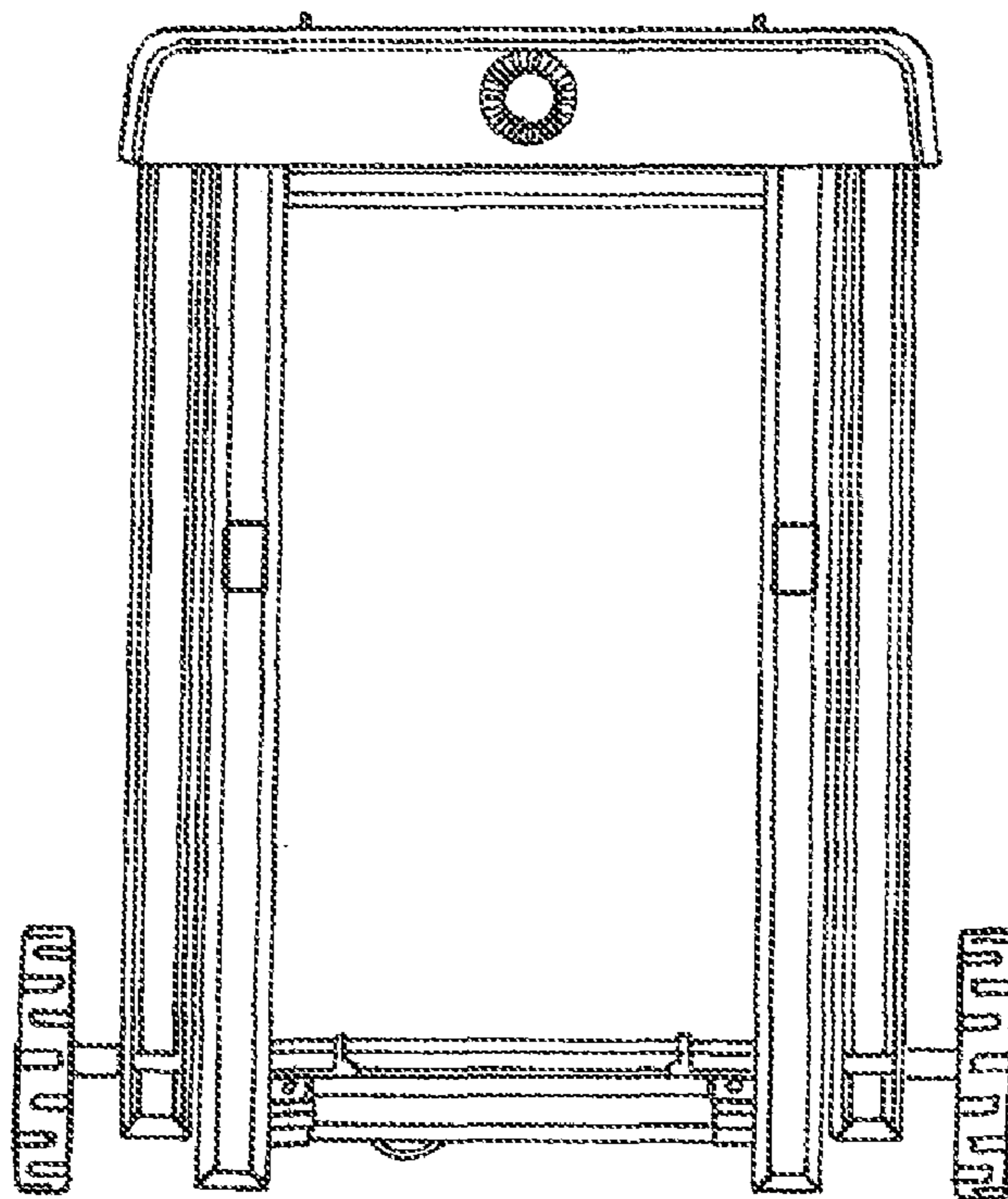


Fig. 4

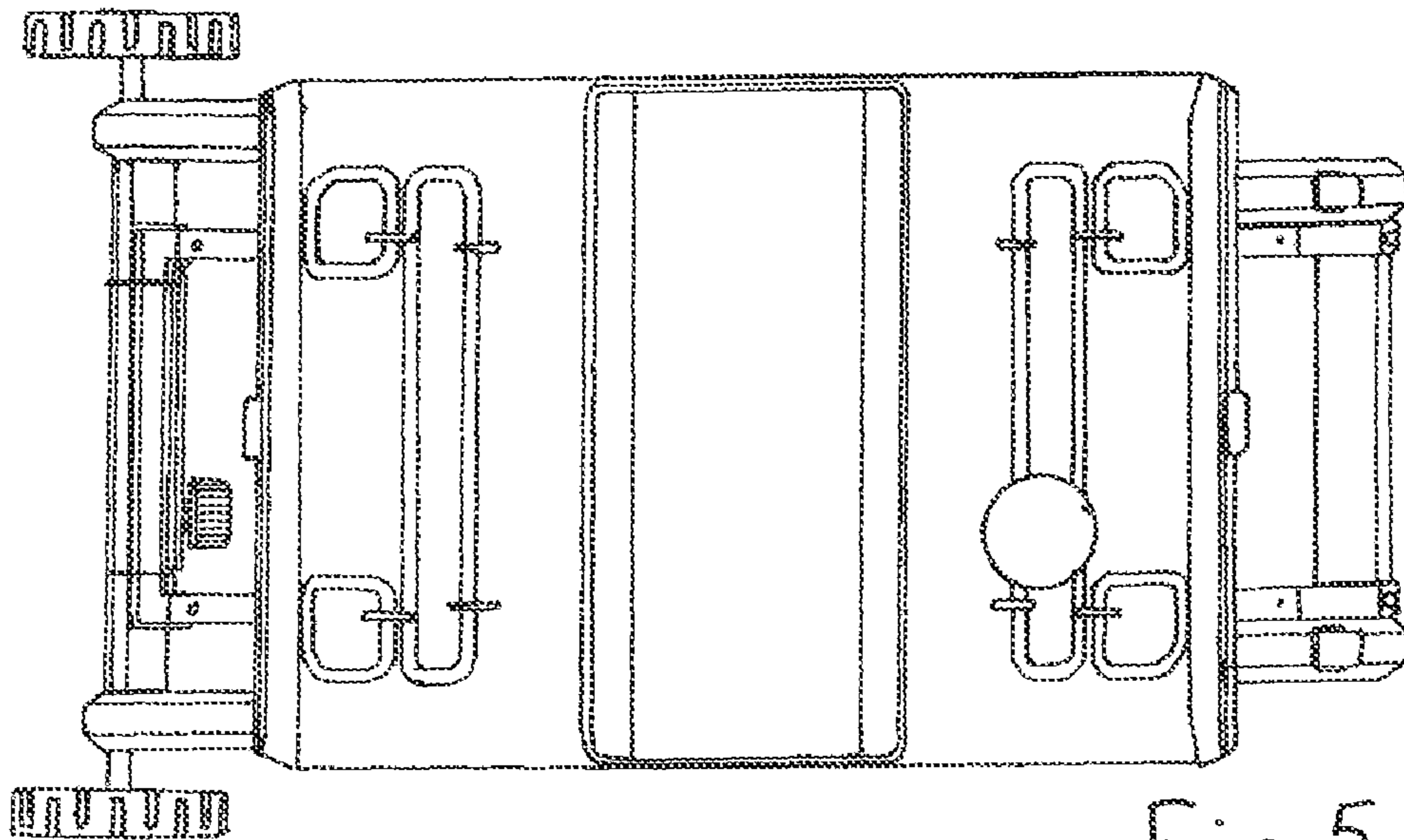


Fig. 5

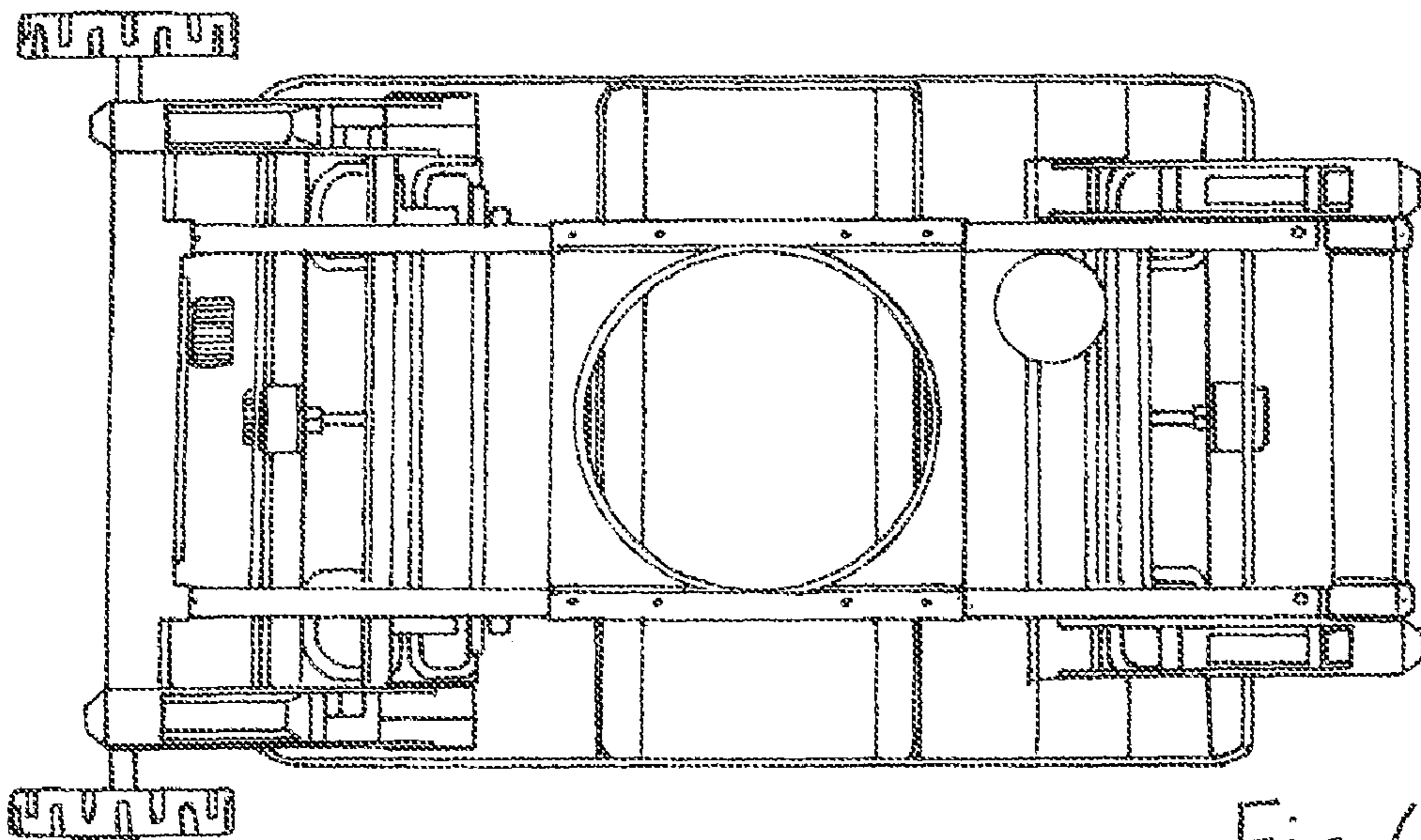


Fig. 6

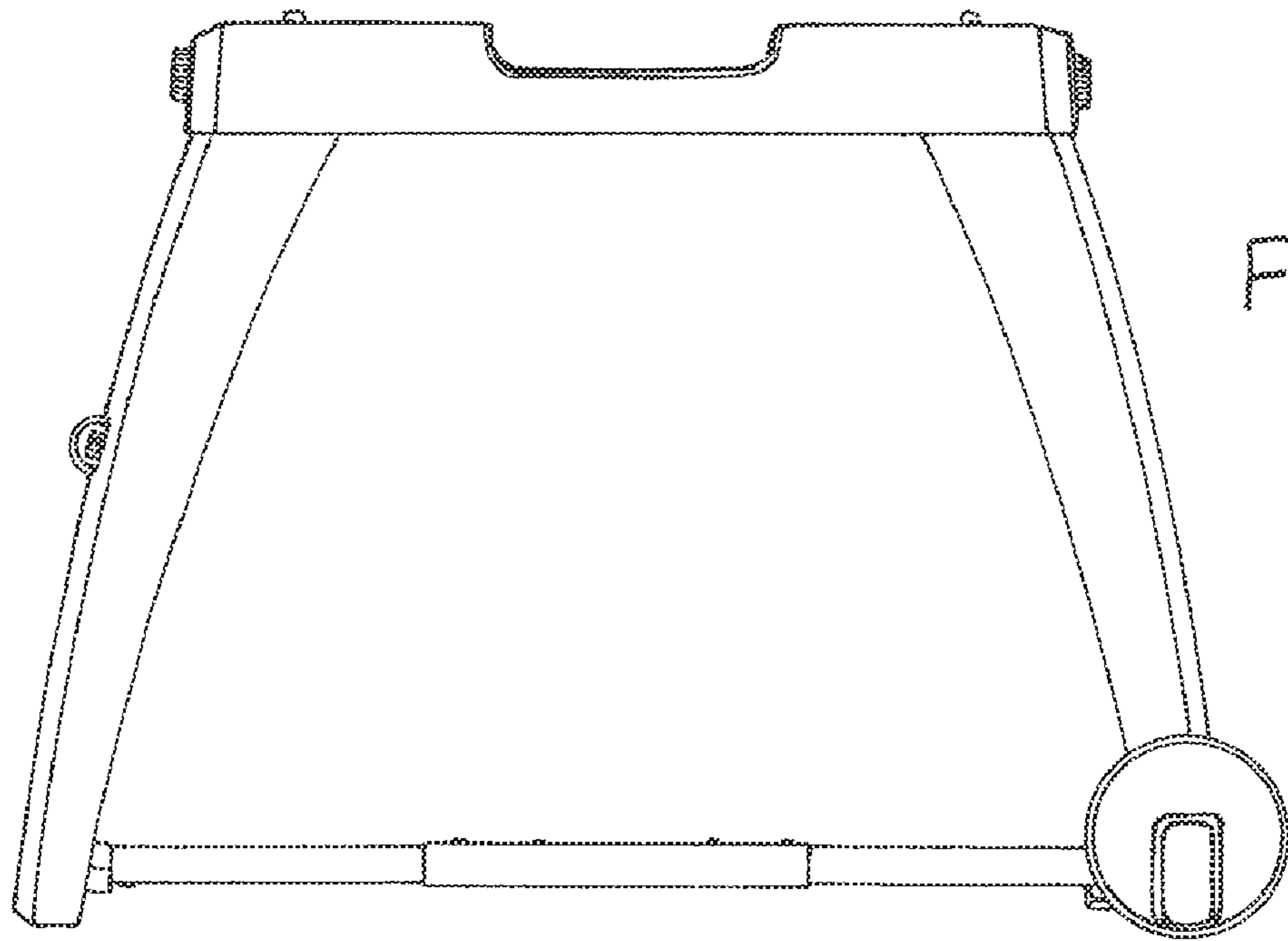


Fig. 7

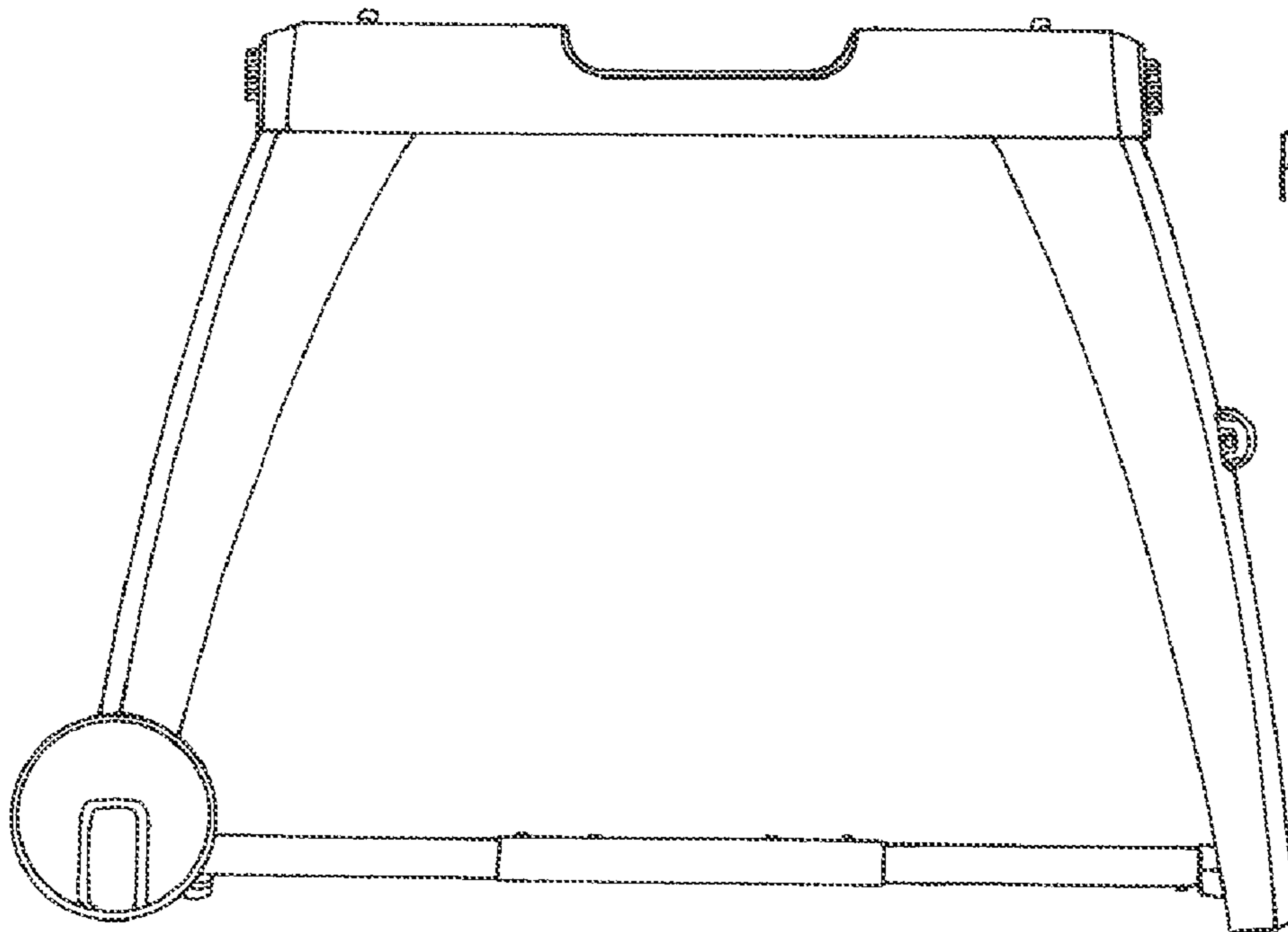


Fig. 8

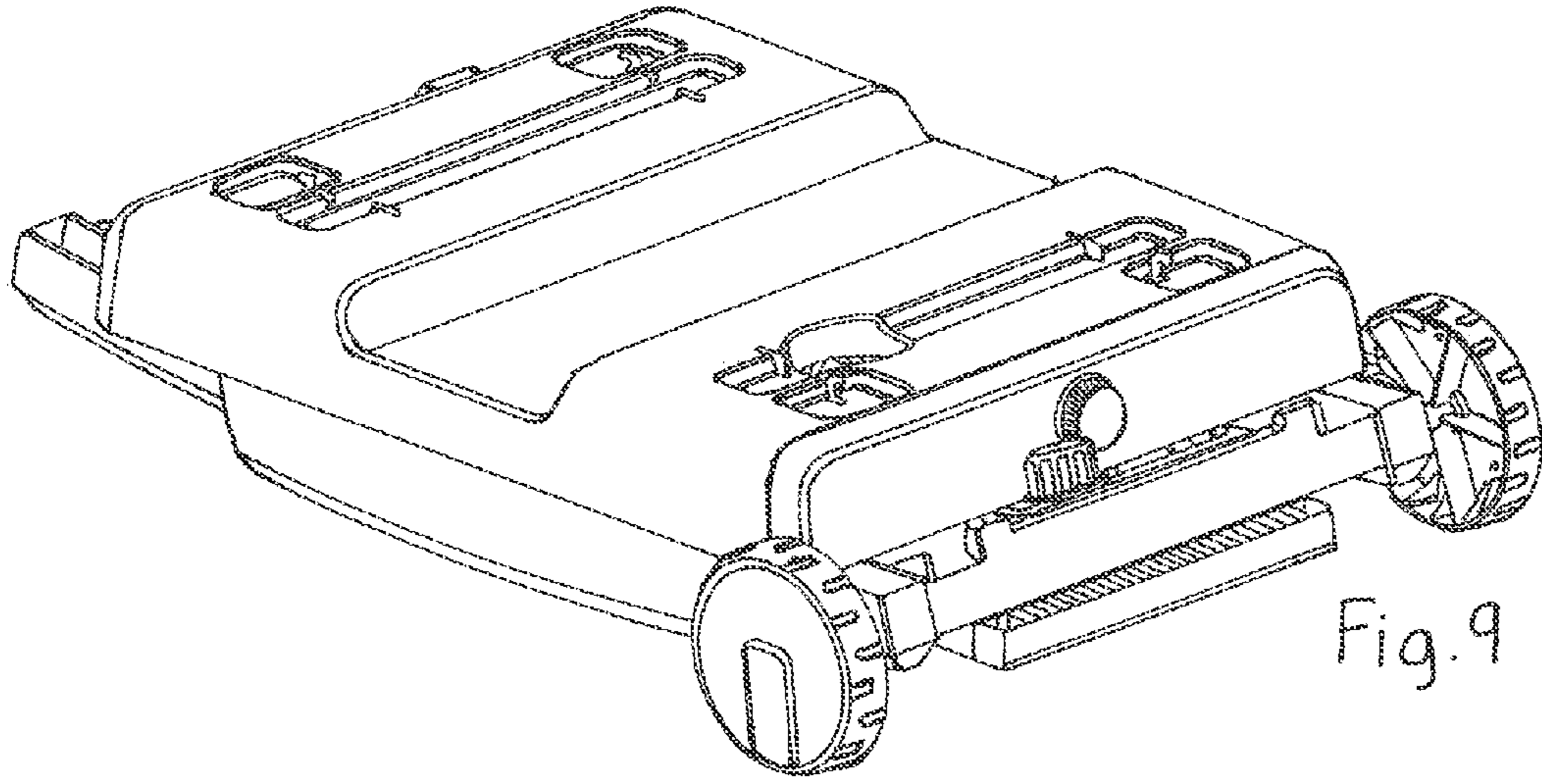


Fig. 9

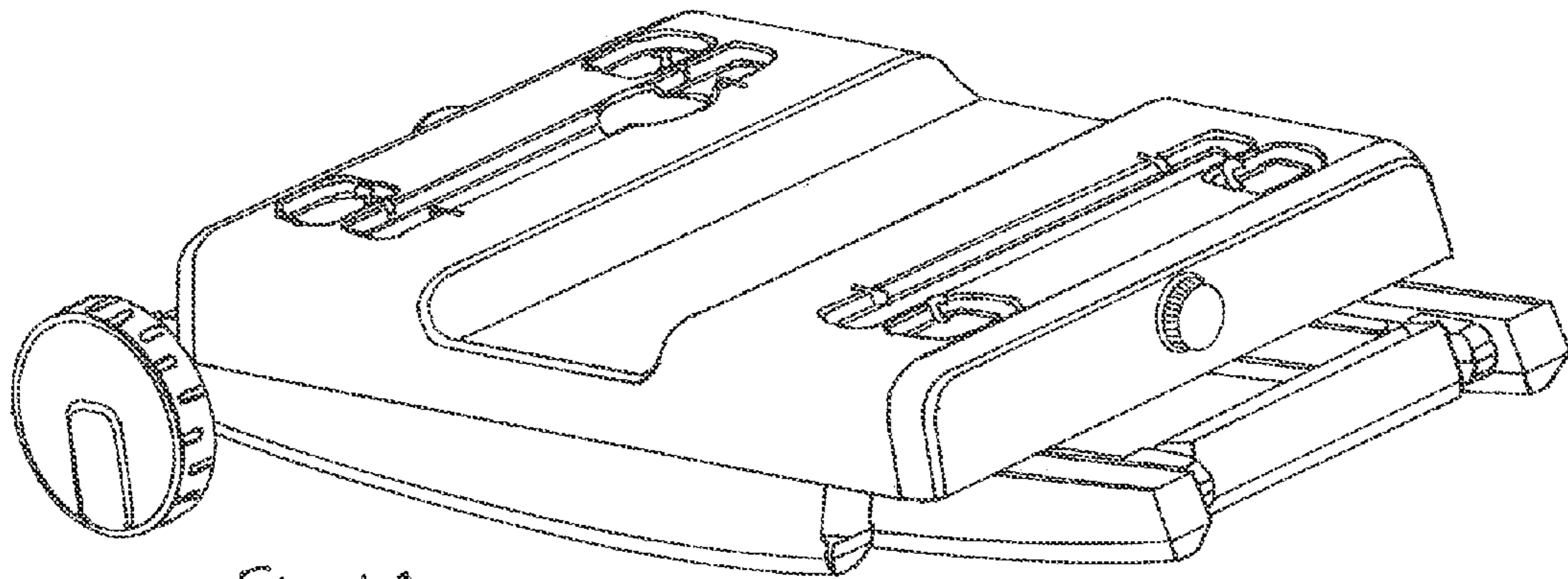


Fig. 10