



US00D624348S

(12) **United States Design Patent**  
**Bodum**

(10) **Patent No.:** **US D624,348 S**

(45) **Date of Patent:** **\*\* Sep. 28, 2010**

(54) **ICE TEA JUG**

(75) Inventor: **Jørgen Bodum**, Meggen (CH)

(73) Assignee: **Pi-Design AG**, Triengen (CH)

(\*\*) Term: **14 Years**

(21) Appl. No.: **29/334,099**

(22) Filed: **Mar. 20, 2009**

(30) **Foreign Application Priority Data**

Sep. 23, 2008 (DK) ..... DA 2008 00209

(51) **LOC (9) Cl.** ..... **07-01**

(52) **U.S. Cl.** ..... **D7/319; D7/317**

(58) **Field of Classification Search** ..... D7/316-319,  
D7/598, 600; 222/129.1-129.4

See application file for complete search history.

(56) **References Cited**

**U.S. PATENT DOCUMENTS**

D498,384 S \* 11/2004 McWilliam ..... D7/319

D585,232 S \* 1/2009 Bodum ..... D7/319

D586,605 S \* 2/2009 Ma et al. .... D7/317

D587,514 S \* 3/2009 Bodum ..... D7/319

\* cited by examiner

*Primary Examiner*—Marianne Pandozzi

(74) *Attorney, Agent, or Firm*—Cowan, Liebowitz & Latman, PC

(57) **CLAIM**

The ornamental design for a ice tea jug, as shown and described.

**DESCRIPTION**

FIG. 1 is a perspective view of the ice tea jug showing my design thereof;

FIG. 2 is a front view thereof;

FIG. 3 is a back view thereof;

FIG. 4 is a left side view thereof;

FIG. 5 is a right side view thereof;

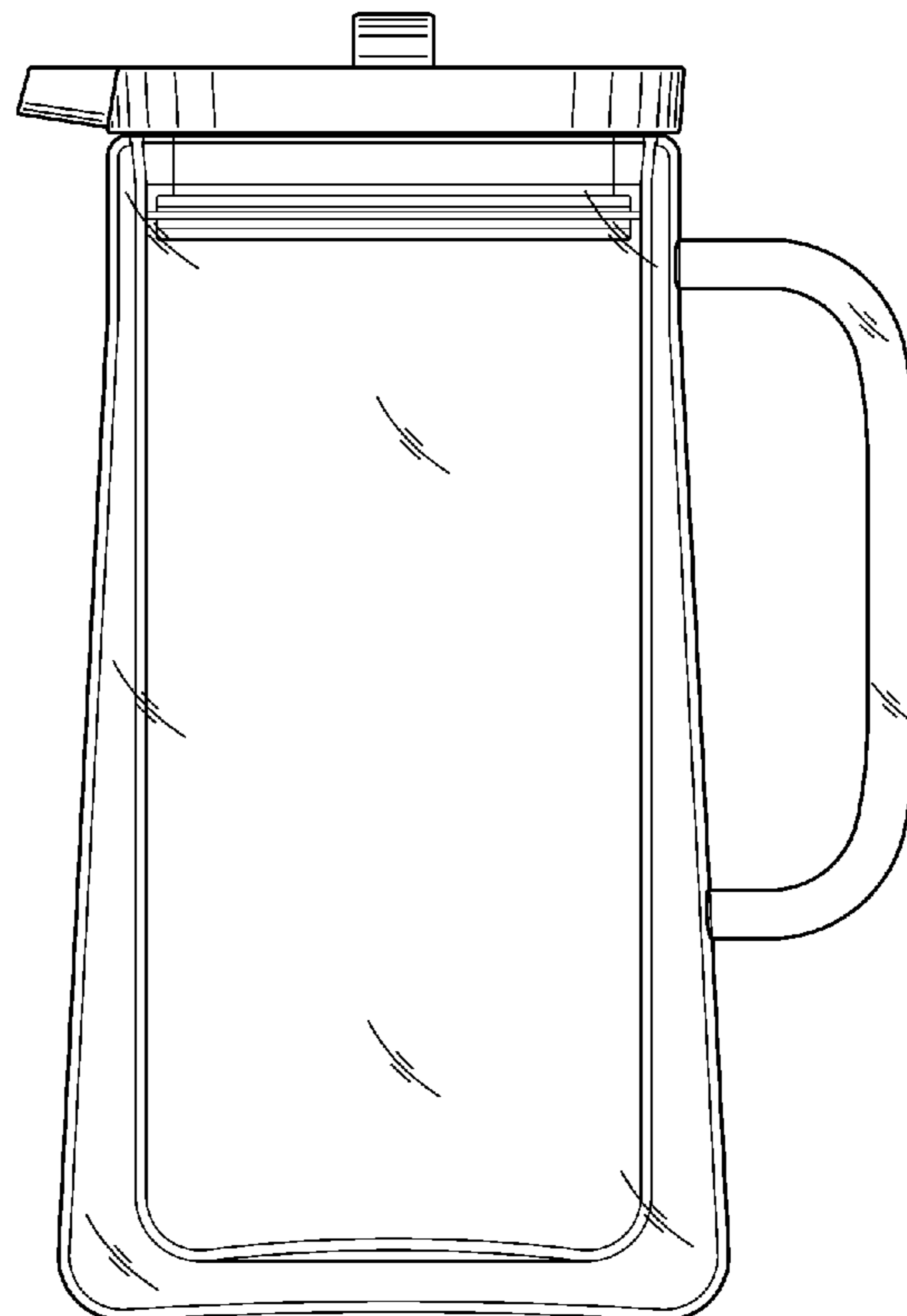
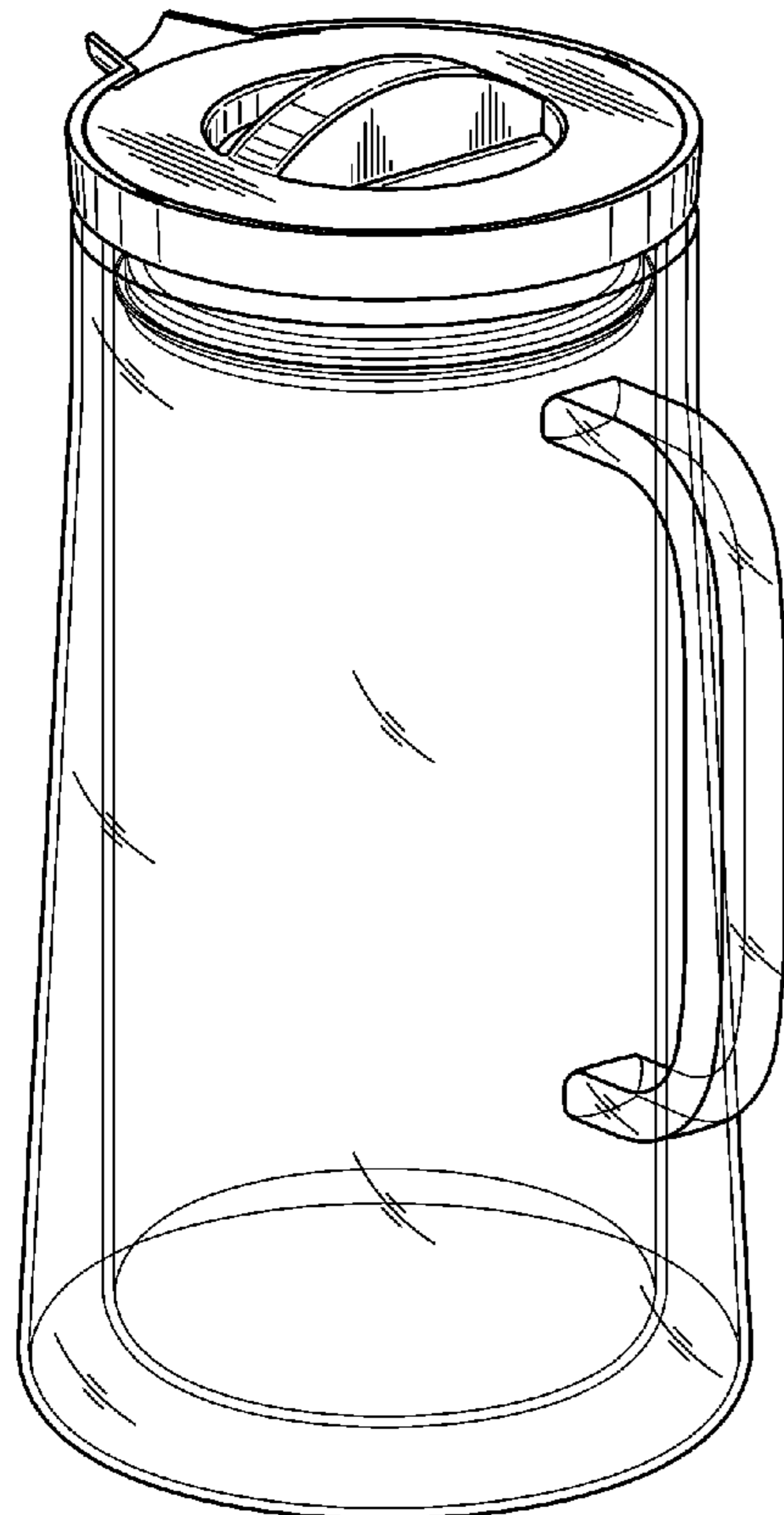
FIG. 6 is a top view thereof;

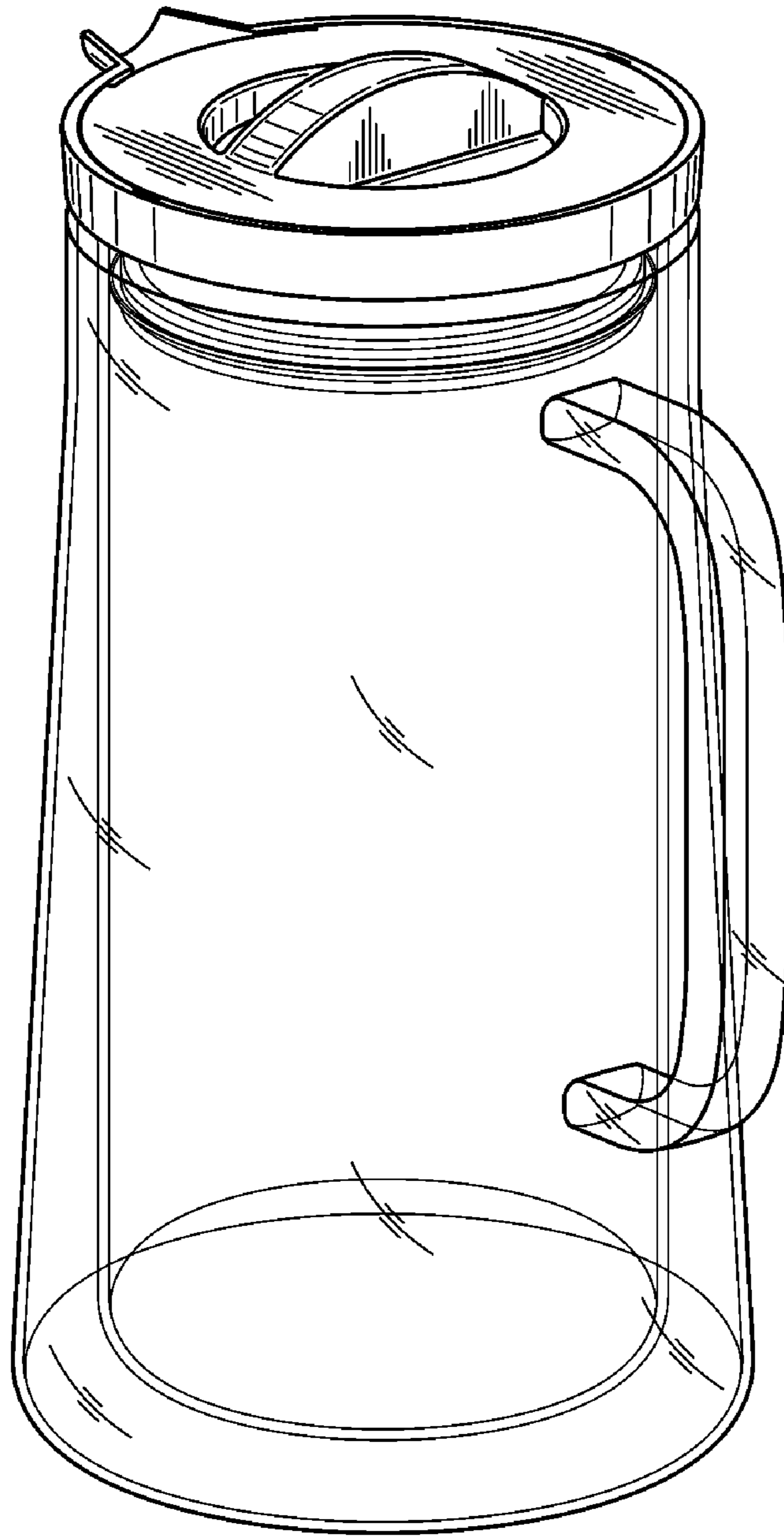
FIG. 7 is a bottom view thereof; and,

FIG. 8 is a cross-sectional view thereof taken along line 8—8 of FIG. 6.

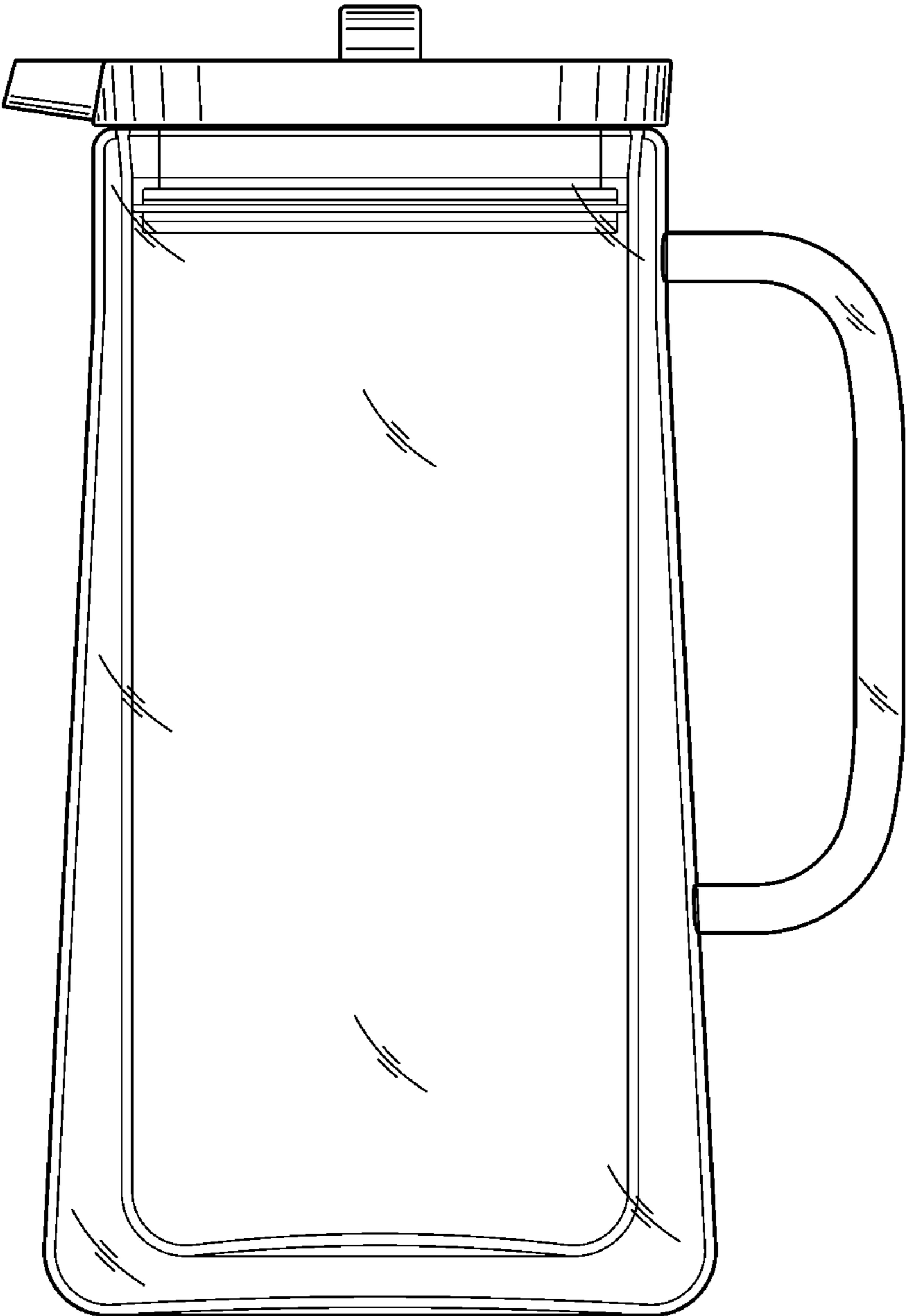
The broken lines in the drawings are included for the purpose of illustration and form no part of the claimed design.

**1 Claim, 8 Drawing Sheets**

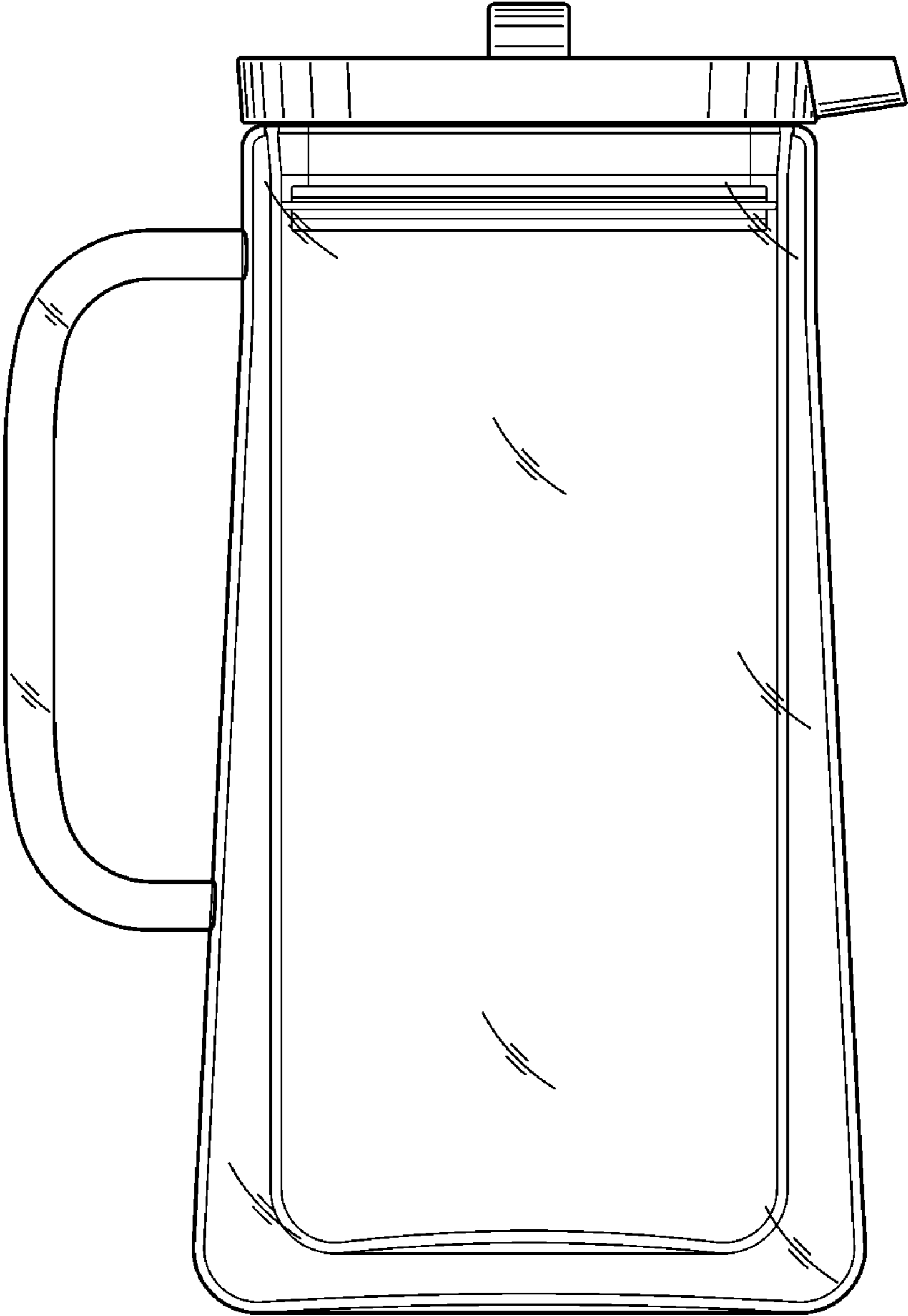




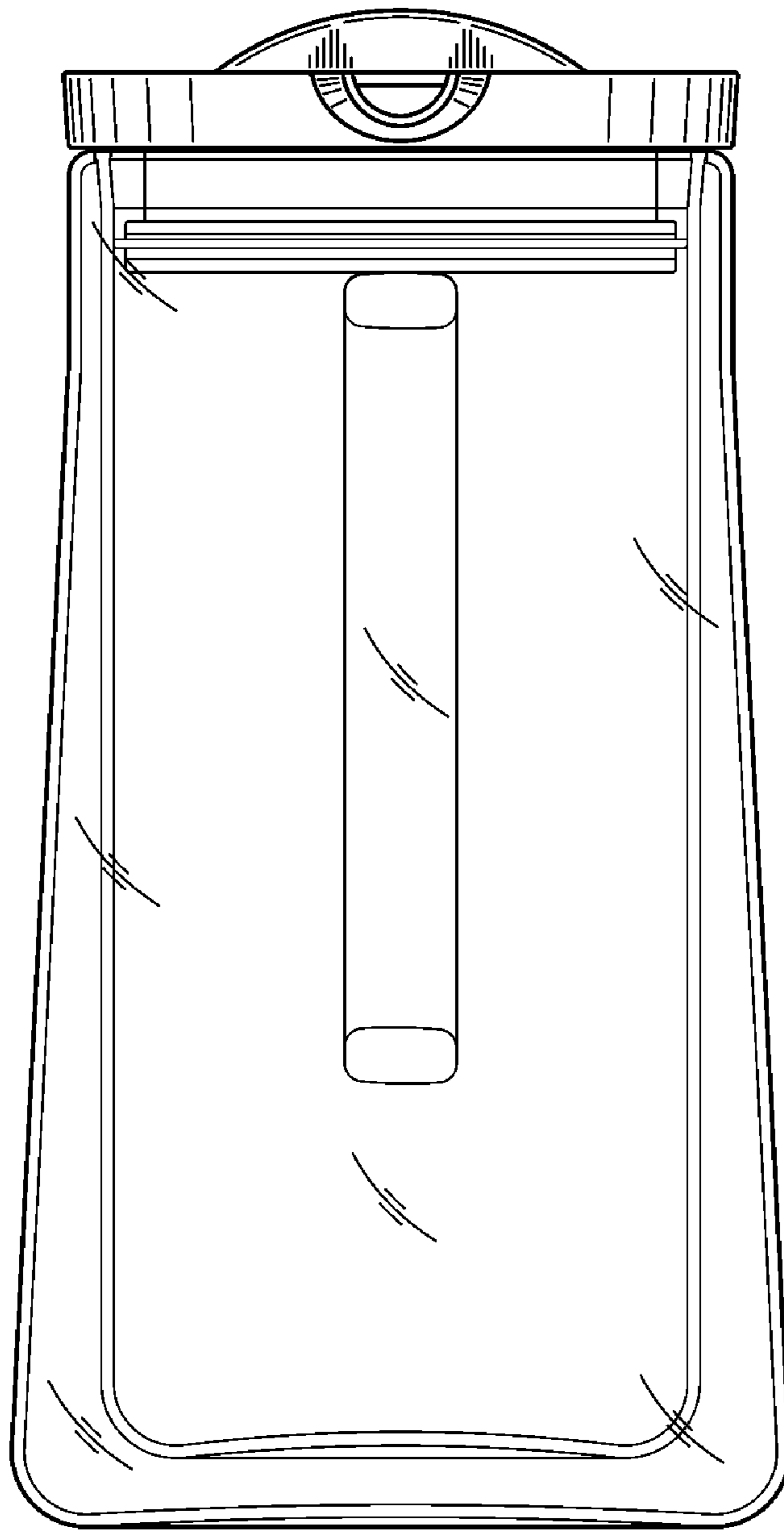
**FIG. 1**



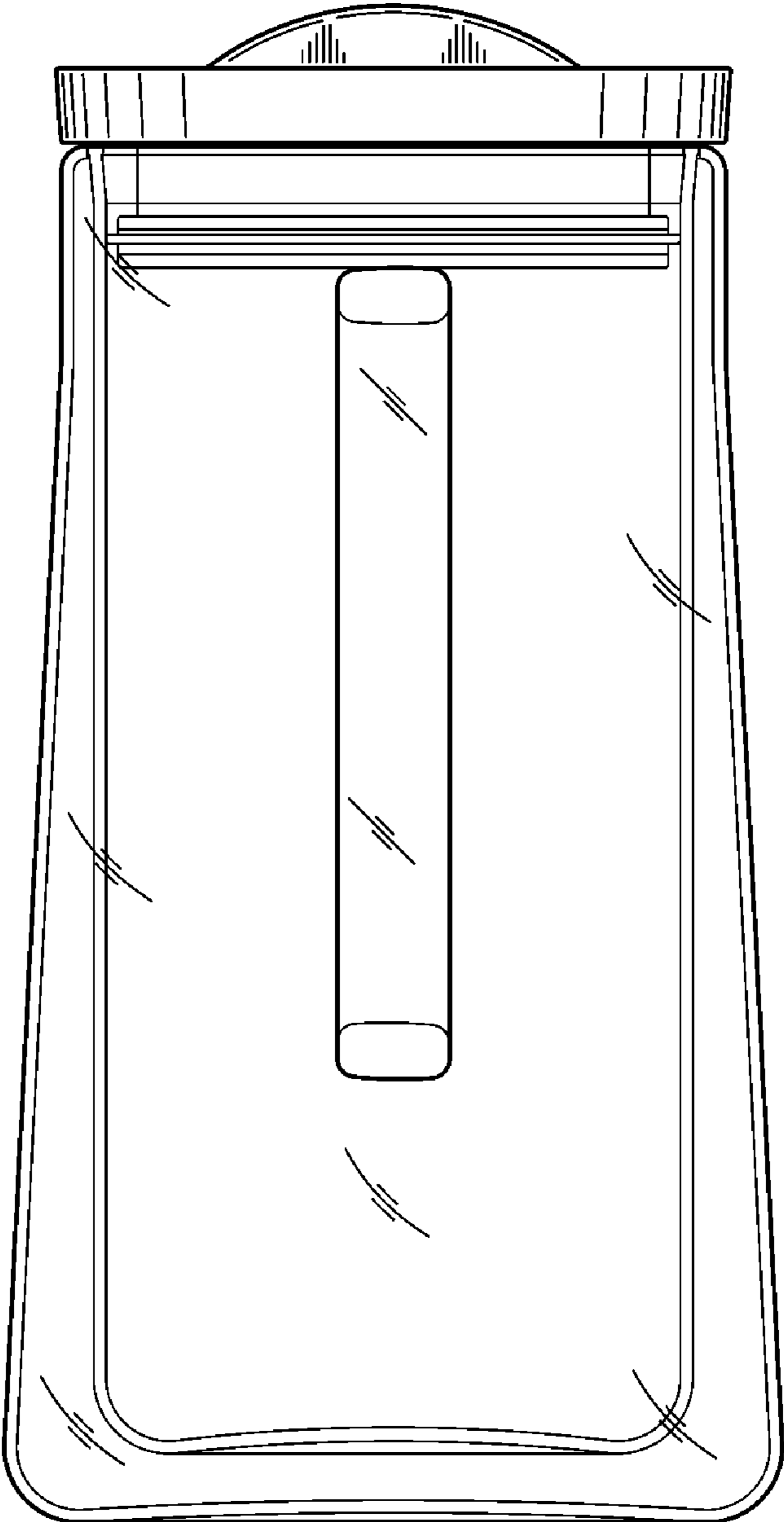
**FIG. 2**



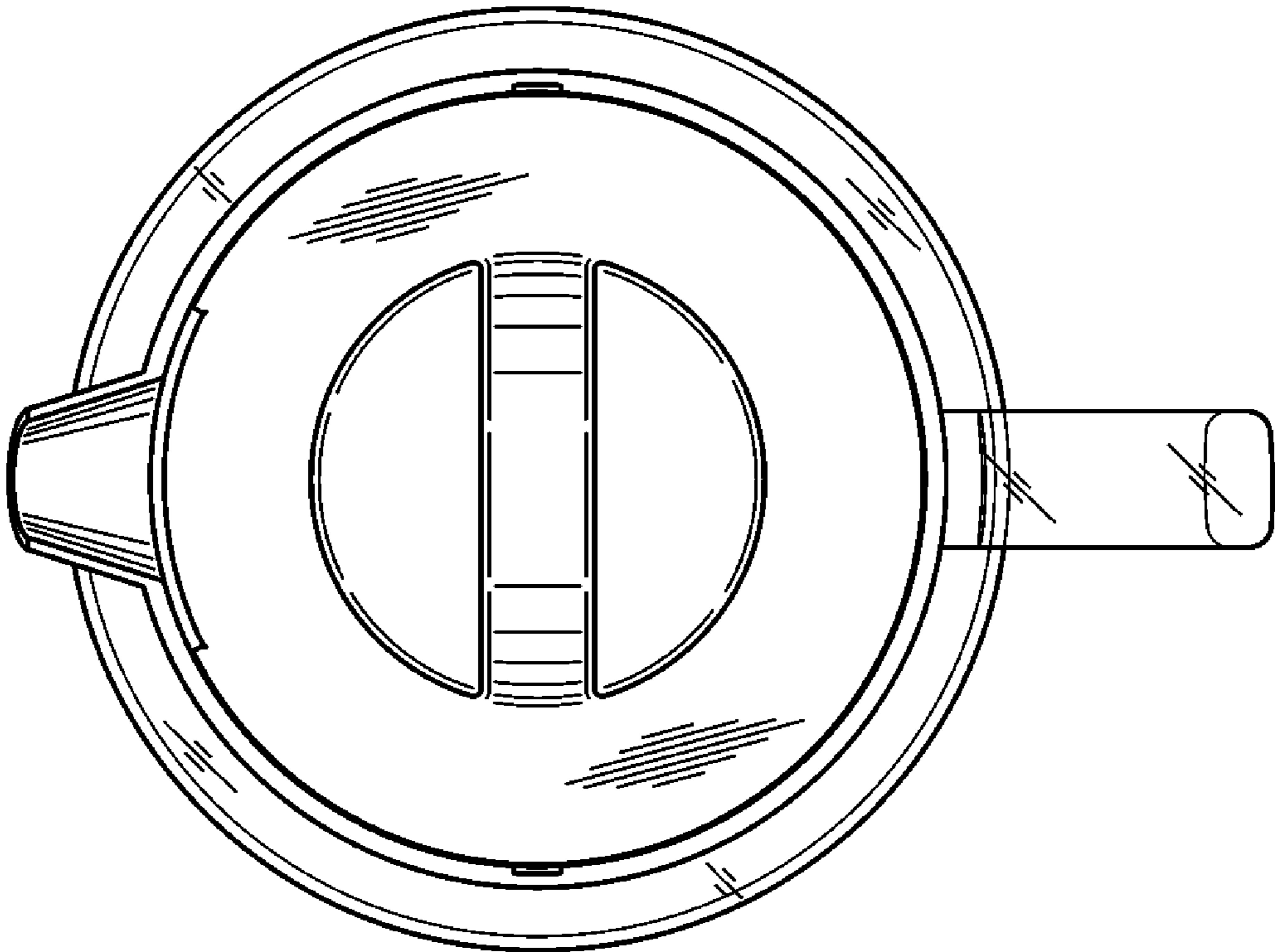
**FIG. 3**



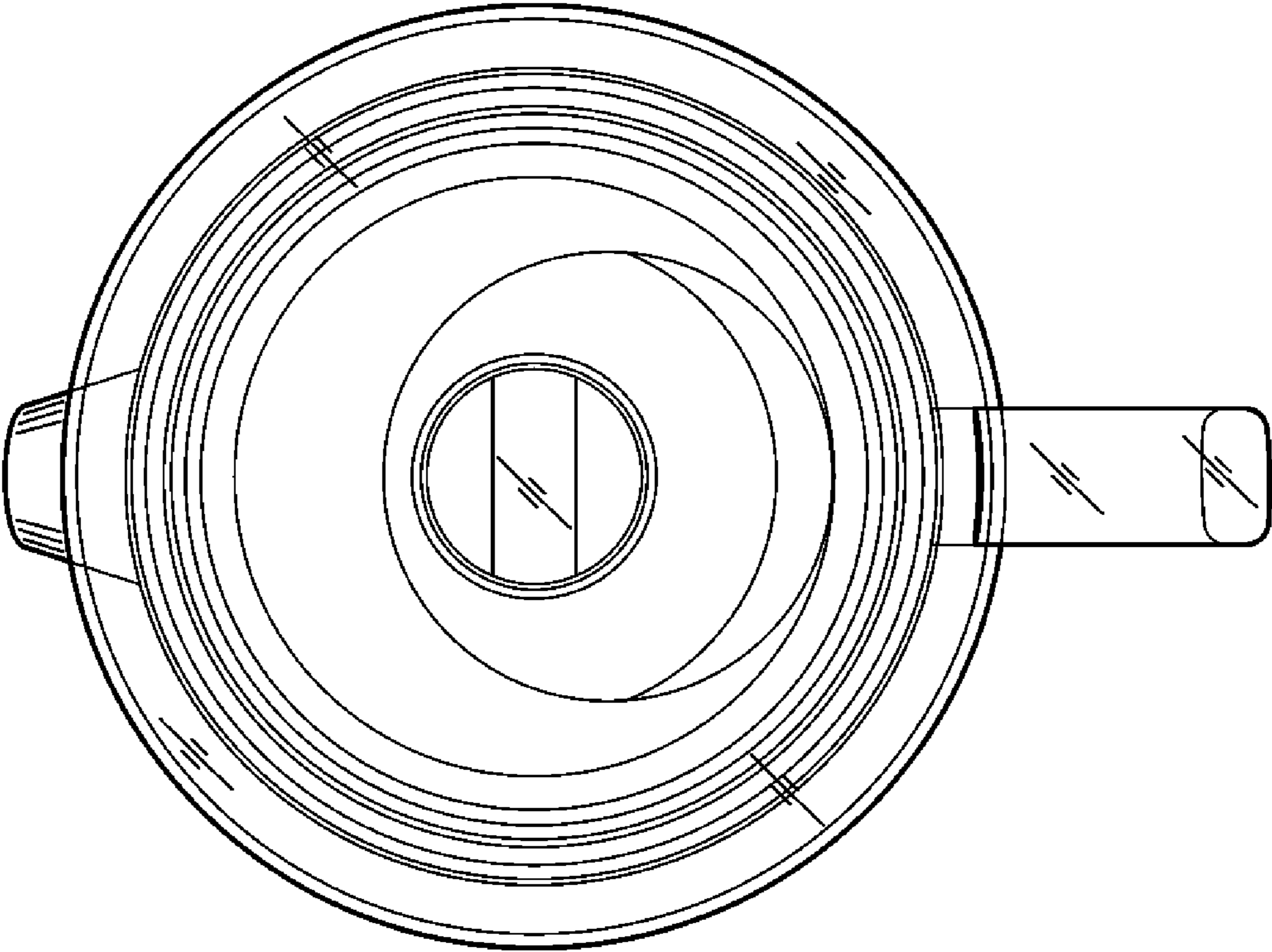
**FIG. 4**



**FIG. 5**



**FIG. 6**



**FIG. 7**



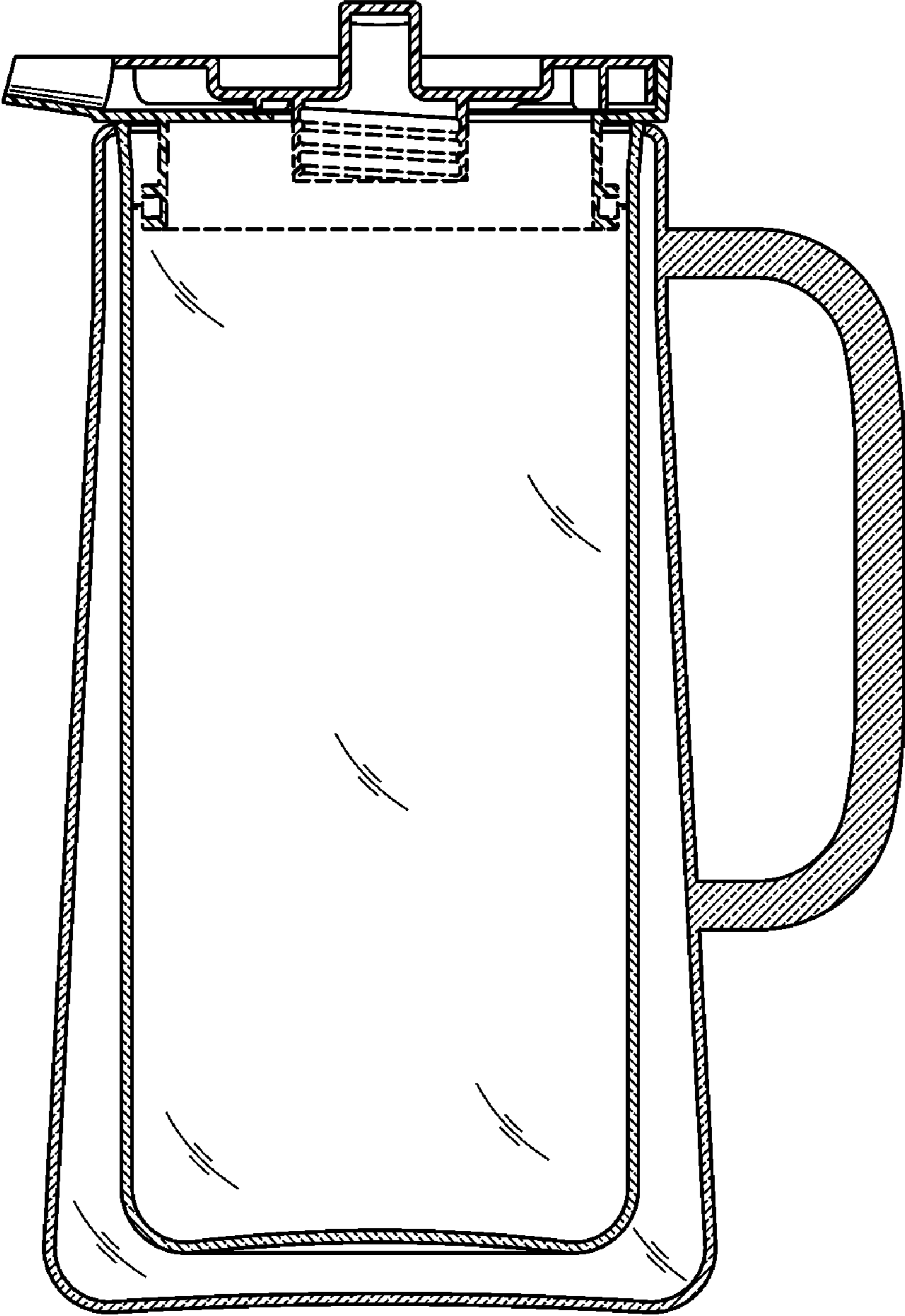


FIG. 8