



US00D624346S

(12) **United States Design Patent**  
**Salzman**

(10) **Patent No.:** **US D624,346 S**

(45) **Date of Patent:** **\*\* Sep. 28, 2010**

(54) **INFLATABLE MEDITATION PILLOW**

(76) **Inventor:** **Scott Salzman**, 11715 Vermillion Rd.,  
Longmont, CO (US) 80504

(\*\*) **Term:** **14 Years**

(21) **Appl. No.:** **29/338,774**

(22) **Filed:** **Jun. 18, 2009**

(51) **LOC (9) Cl.** ..... **06-09**

(52) **U.S. Cl.** ..... **D6/604**

(58) **Field of Classification Search** ..... D6/595-601,  
D6/604, 605, 611; 5/630, 632, 636, 644,  
5/645, 648, 652, 655.3, 655.6, 655.9, 657;  
D21/803, 809; D24/183, 188, 206, 215;  
297/219.1; 441/127; 607/109  
See application file for complete search history.

6,487,737	B1	12/2002	Futagami	
6,532,612	B2	3/2003	Matthews Brown	
D476,185	S	6/2003	Siegal	
6,671,908	B2	1/2004	Brown et al.	
6,699,271	B2 *	3/2004	Clayton	607/109
D497,073	S	10/2004	Speare	
7,146,665	B1	12/2006	Moorin	
7,331,073	B2	2/2008	Littlehorn et al.	
7,513,002	B2	4/2009	Best	
D597,364	S *	8/2009	Lindgren	D6/601
D602,299	S *	10/2009	Heroux	D6/601
2006/0123548	A1	6/2006	Heath	
2007/0061976	A1	3/2007	Bazargani	
2007/0240723	A1	10/2007	Hong et al.	
2009/0070938	A1	3/2009	Kell	

\* cited by examiner

*Primary Examiner*—Mary Ann Calabrese  
(74) *Attorney, Agent, or Firm*—Maxey Law Offices, PLLC;  
Stephen Lewellyn

(56) **References Cited**

**U.S. PATENT DOCUMENTS**

264,814	A *	9/1882	Wood	441/127
D298,716	S *	11/1988	Kaplan	D6/601
D348,174	S *	6/1994	Genis	D6/601
5,519,906	A	5/1996	Fanto-Chan	
5,522,105	A	6/1996	Fujiwara et al.	
5,544,378	A	8/1996	Chow	
D373,278	S	9/1996	Chow	
D389,645	S *	1/1998	Ermini	D3/276
D407,259	S	3/1999	Jackson	
6,047,425	A	4/2000	Khazaal	
6,131,219	A	10/2000	Roberts	
D433,757	S *	11/2000	Jordan	D24/206
6,151,735	A	11/2000	Koby et al.	
6,230,347	B1	5/2001	Alexander	
6,233,767	B1	5/2001	Horowitz	
D443,461	S *	6/2001	Hall et al.	D6/601
D453,223	S *	1/2002	Sherman	D24/206
6,397,415	B1	6/2002	Hsieh	

(57) **CLAIM**

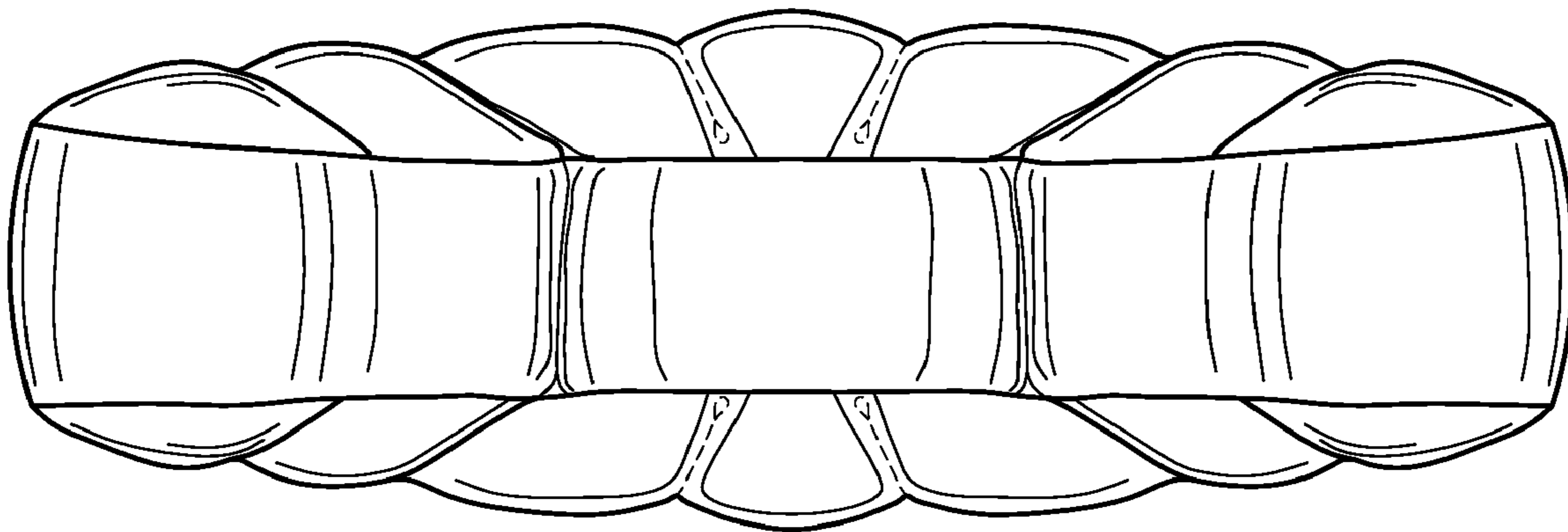
The ornamental design for an inflatable meditation pillow, as shown and described.

**DESCRIPTION**

FIG. 1 is a front elevation view of the inflatable meditation pillow in accordance with my invention;  
FIG. 2 is a back elevation view of FIG. 1;  
FIG. 3 is a first side elevation view of FIG. 1;  
FIG. 4 is a second side elevation view of FIG. 1;  
FIG. 5 is a top plan view of FIG. 1; and,  
FIG. 6 is a bottom plan view of FIG. 1.

The broken lines are shown for illustration only and form no part of the claimed design.

**1 Claim, 3 Drawing Sheets**



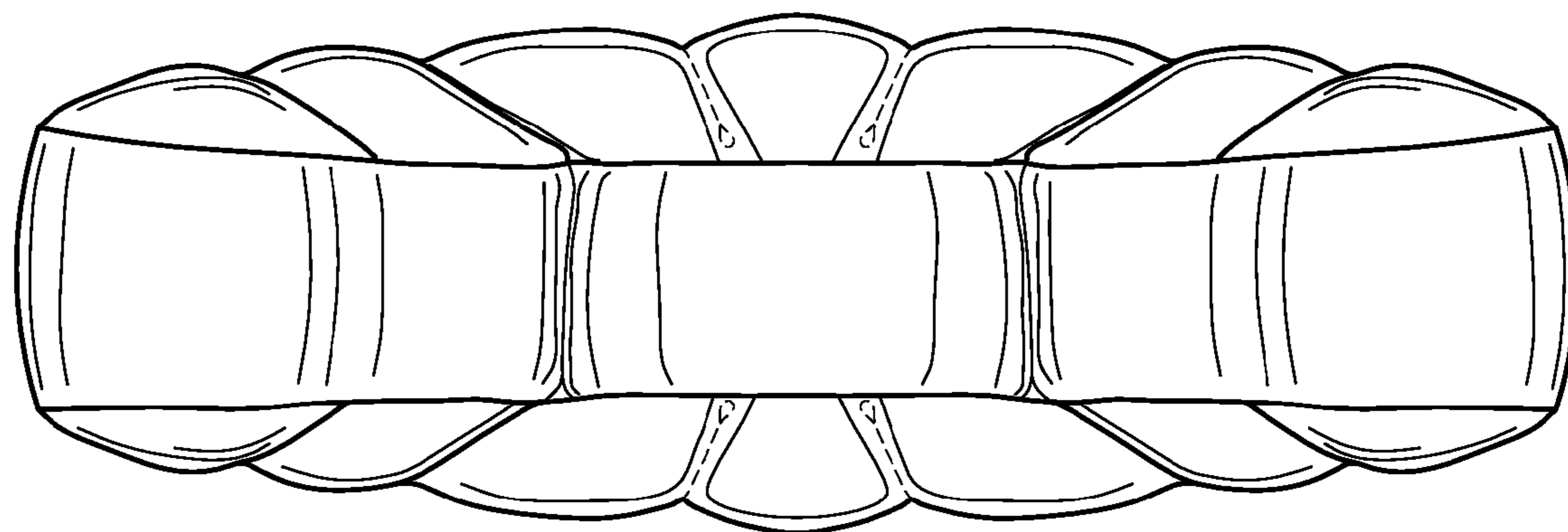


FIG. 1

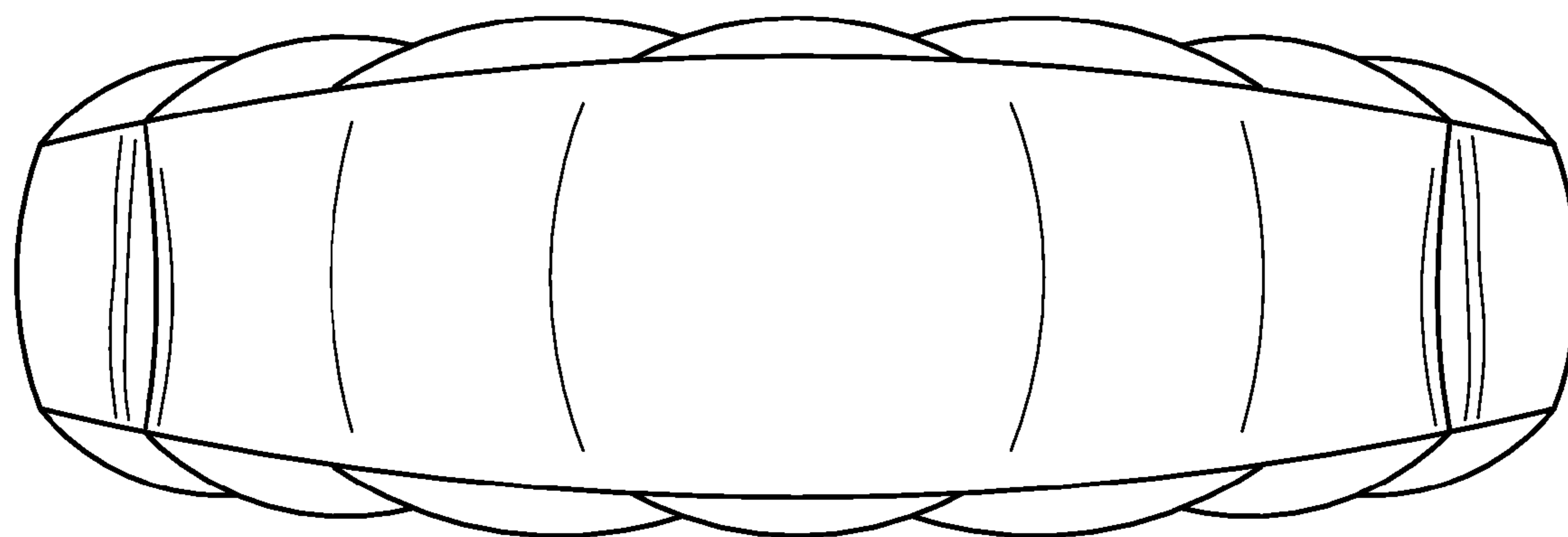


FIG. 2

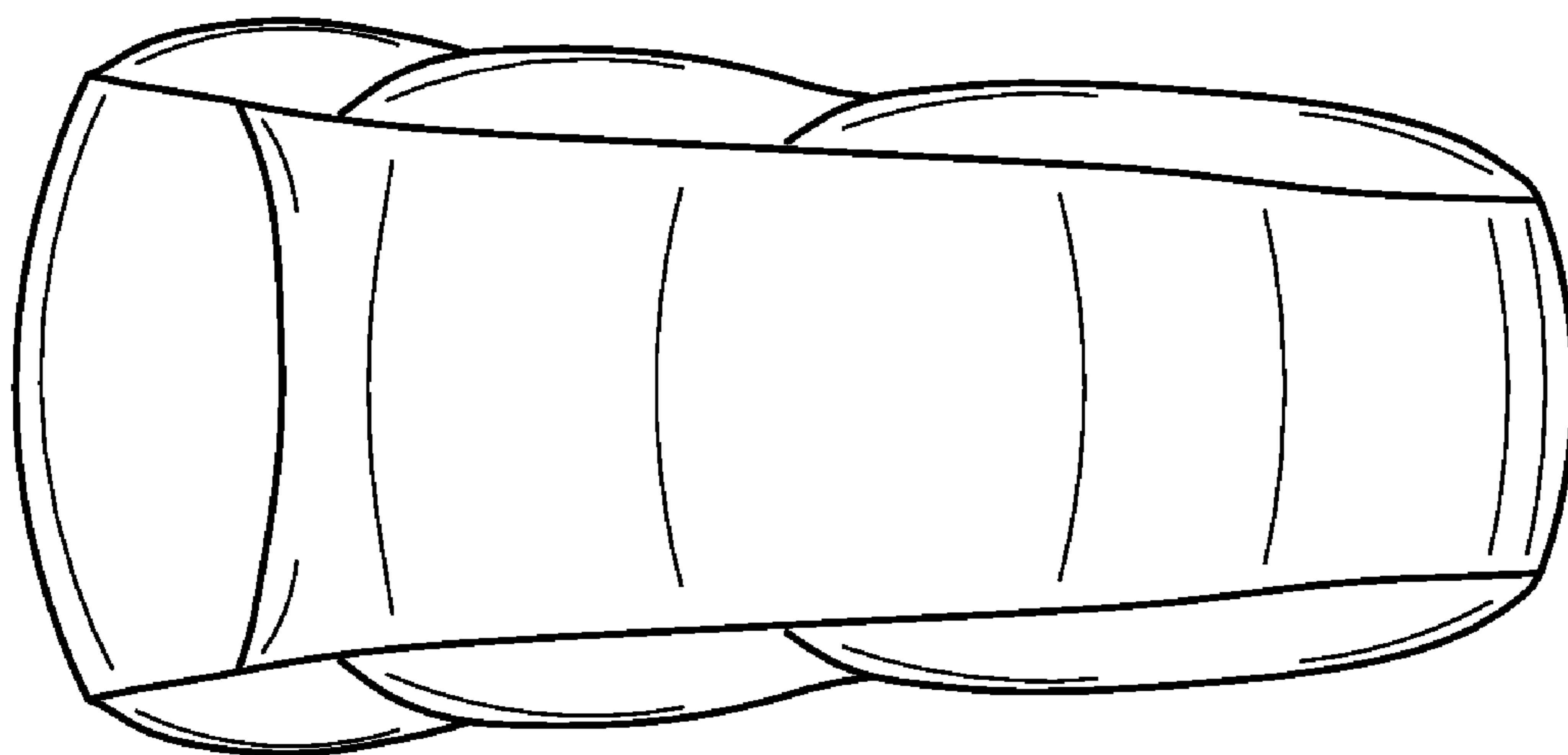


FIG. 3

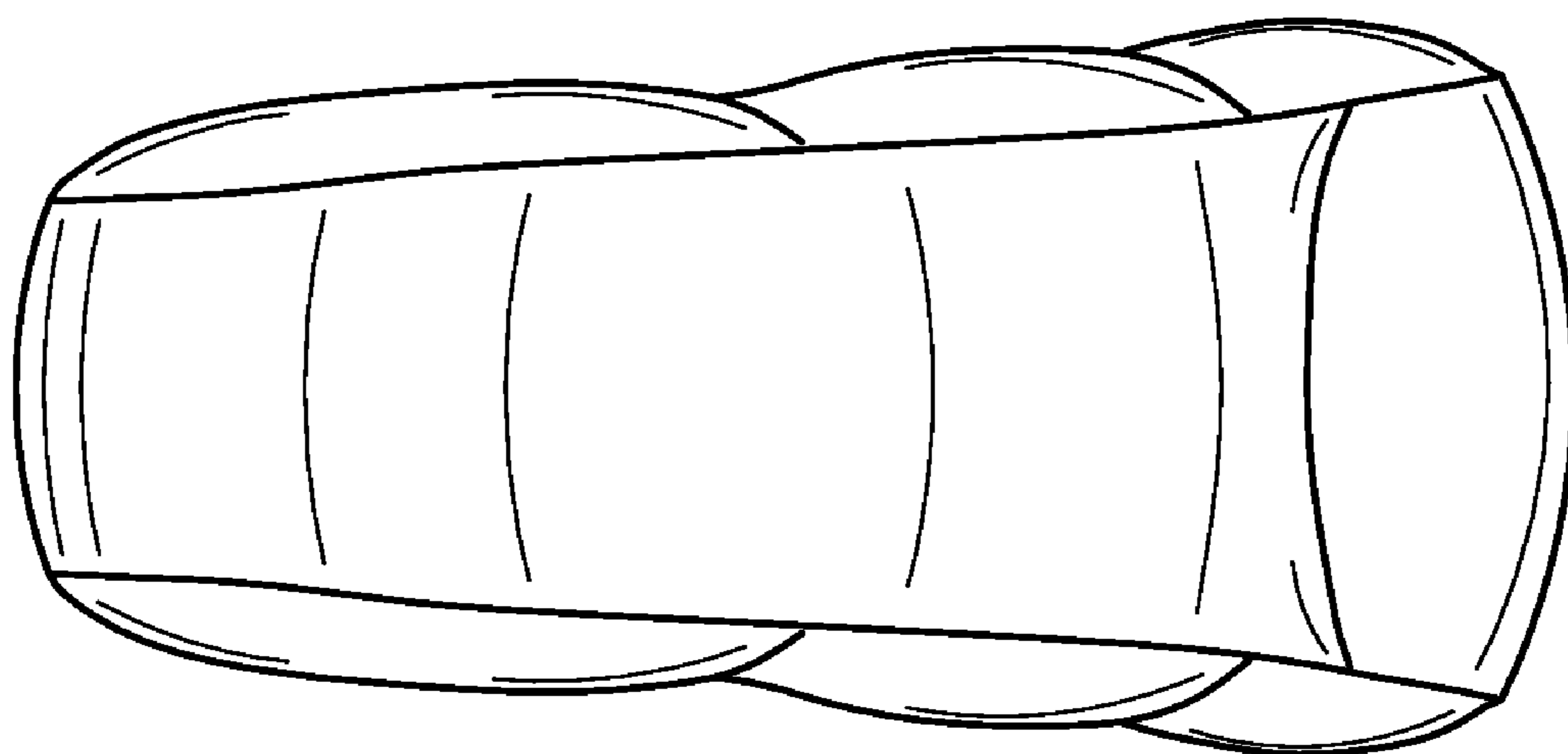


FIG. 4

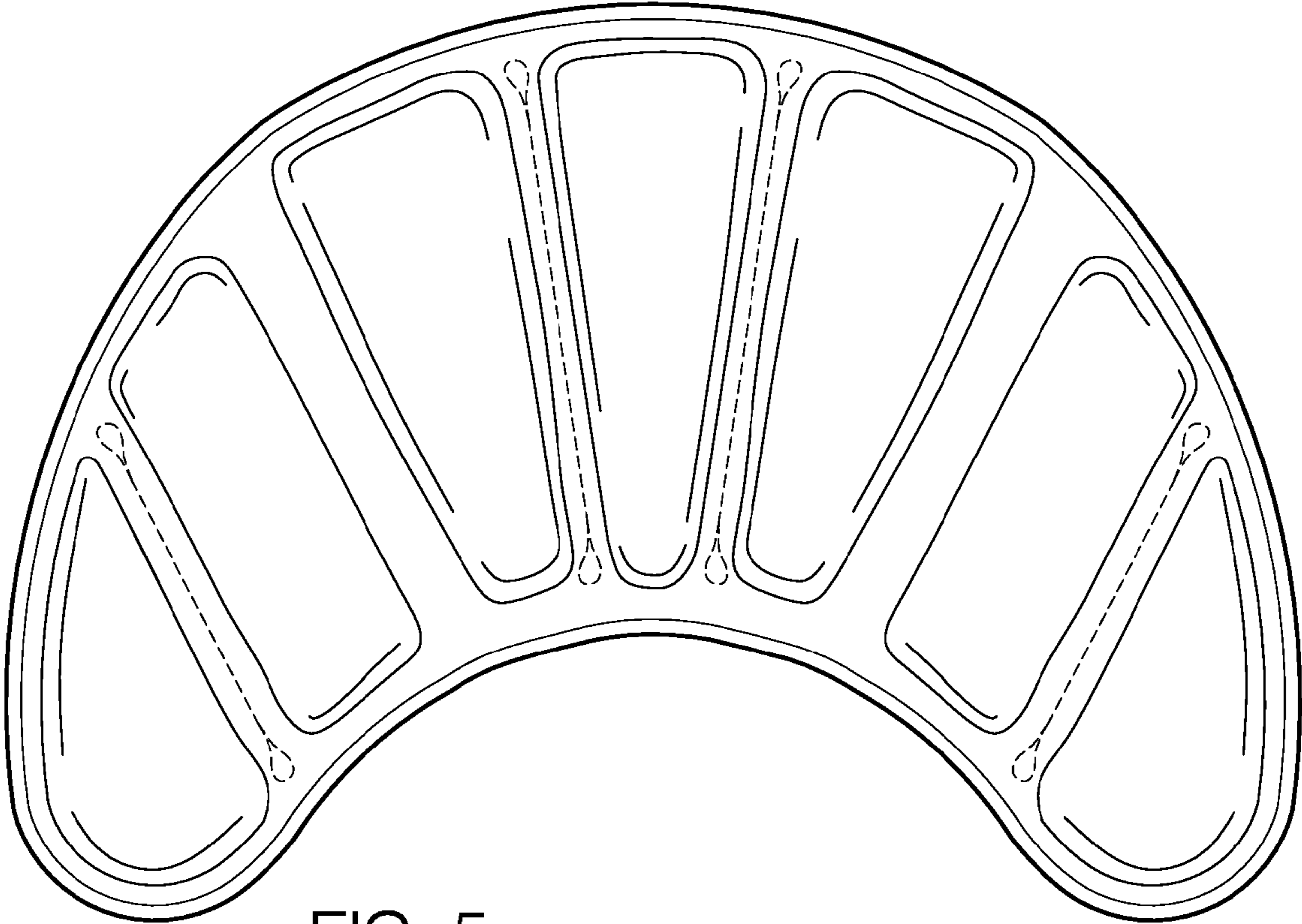


FIG. 5

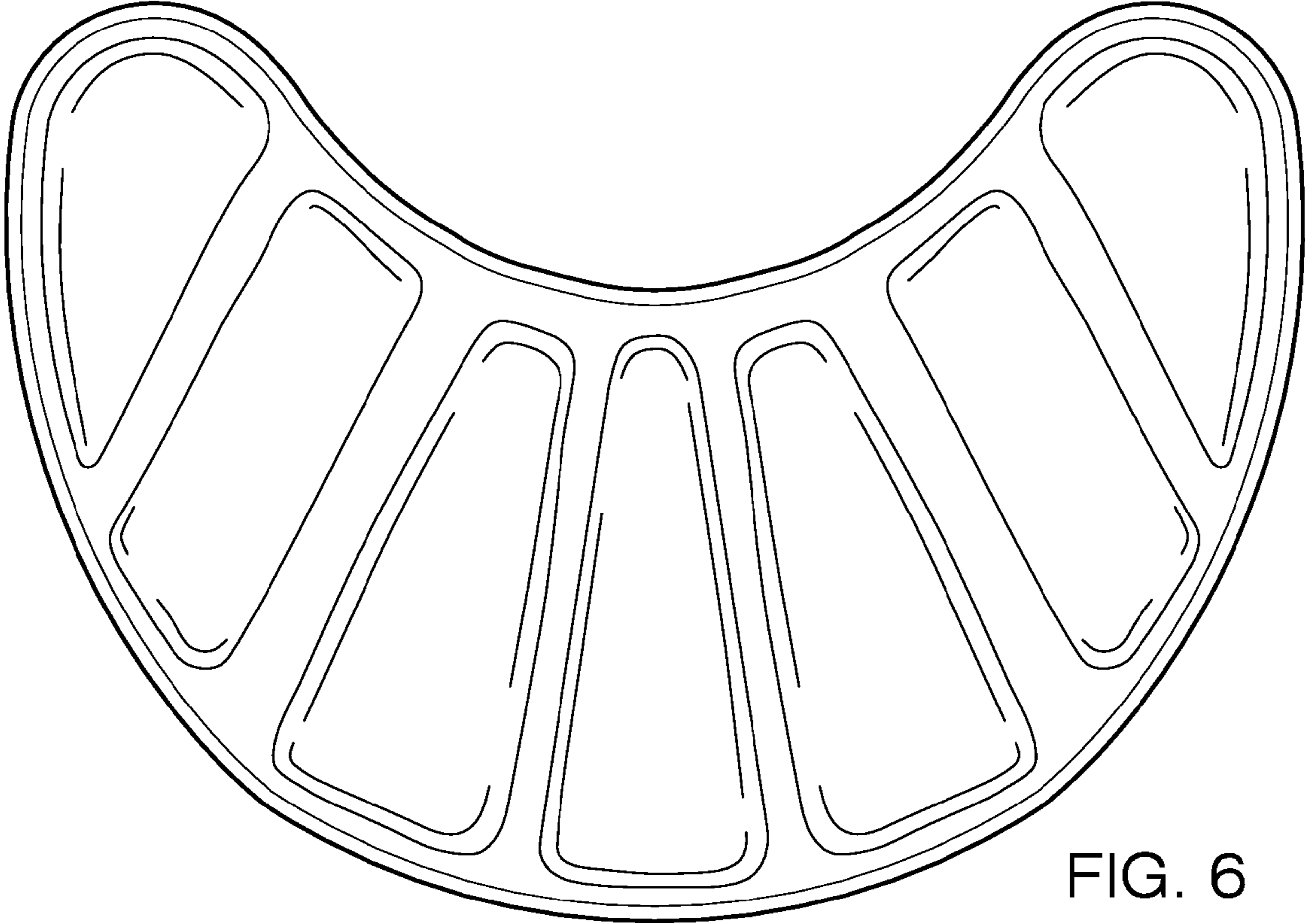


FIG. 6