



US00D624342S

(12) **United States Design Patent**
Coneal

(10) **Patent No.:** **US D624,342 S**

(45) **Date of Patent:** **** Sep. 28, 2010**

(54) **PORTABLE ARCHERY STAND**

D604,077 S * 11/2009 Cardenas D6/552

(76) Inventor: **Jimmy L. Coneal**, 1658 E. Hwy. 47,
Winfield, MO (US) 63389

* cited by examiner

Primary Examiner—Brian N Vinson

(74) *Attorney, Agent, or Firm*—Charles McCloskey

(**) Term: **14 Years**

(21) Appl. No.: **29/350,904**

(57) **CLAIM**

(22) Filed: **Nov. 25, 2009**

The ornamental design for a portable archery stand, as shown and described.

(51) **LOC (9) Cl.** **08-08**

(52) **U.S. Cl.** **D6/552**

(58) **Field of Classification Search** D6/329,
D6/396, 417, 552, 553, 567; D21/385, 662,
D21/698, 796; 211/13.1, 49.1, 60.1, 64,
211/70.5, 86.01, 87.01, 88.01, 89.01, 181.1,
211/85.7; 248/560, 121, 175, 200, 302, 304,
248/309.1, 310, 312, 422.1, 156

DESCRIPTION

See application file for complete search history.

FIG. 1 is a front elevational view of a portable archery stand showing my new design;

FIG. 2 is a left side elevational view thereof;

FIG. 3 is a rear elevational view thereof;

FIG. 4 is a right side elevational view thereof;

FIG. 5 is a right side elevational view thereof, shown in an alternate position;

FIG. 6 is a top plan view thereof;

FIG. 7 is a top plan view thereof, shown in an alternate position;

FIG. 8 is a bottom view; and,

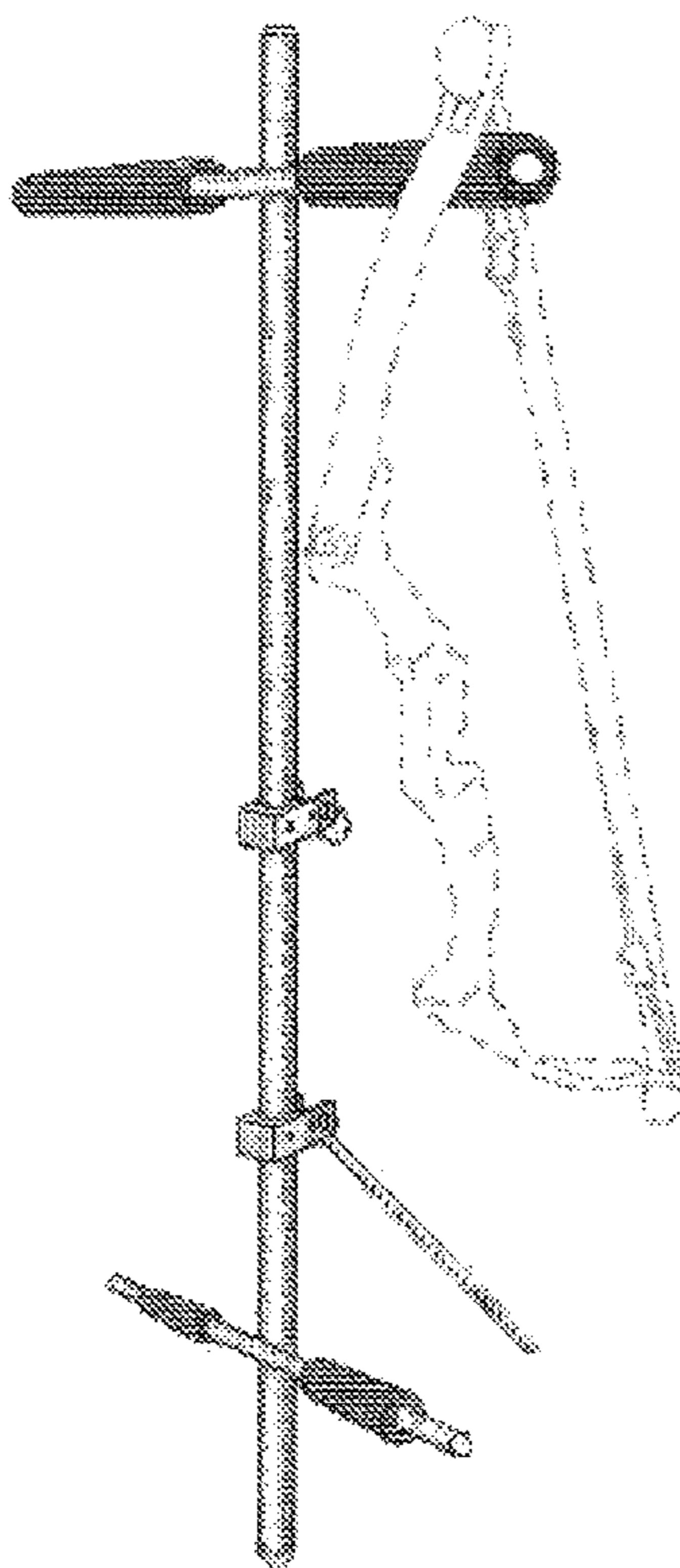
FIG. 9 is a front and right side perspective view thereof, with the broken-line disclosure of a bow being for illustrative purposes only and forms no part of the claimed design.

(56) **References Cited**

U.S. PATENT DOCUMENTS

- 2,275,870 A * 3/1942 Sheldon 211/85.7
- 3,584,820 A * 6/1971 Butcher, Sr. 248/122.1
- 4,993,398 A 2/1991 Wallace
- 5,106,044 A 4/1992 Regard
- D360,248 S * 7/1995 Wright D21/796
- D499,920 S * 12/2004 Hoag et al. D6/552

1 Claim, 9 Drawing Sheets



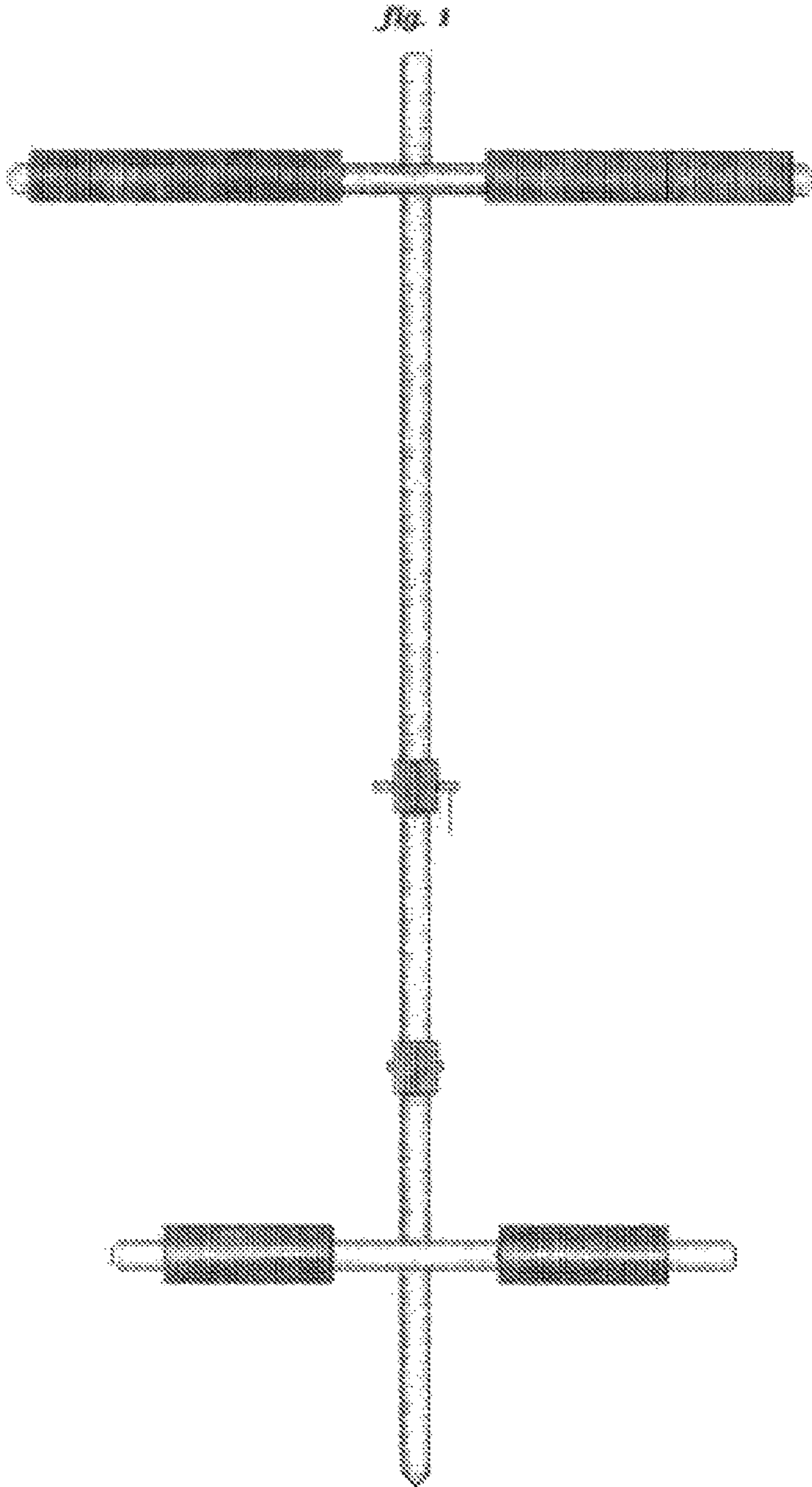
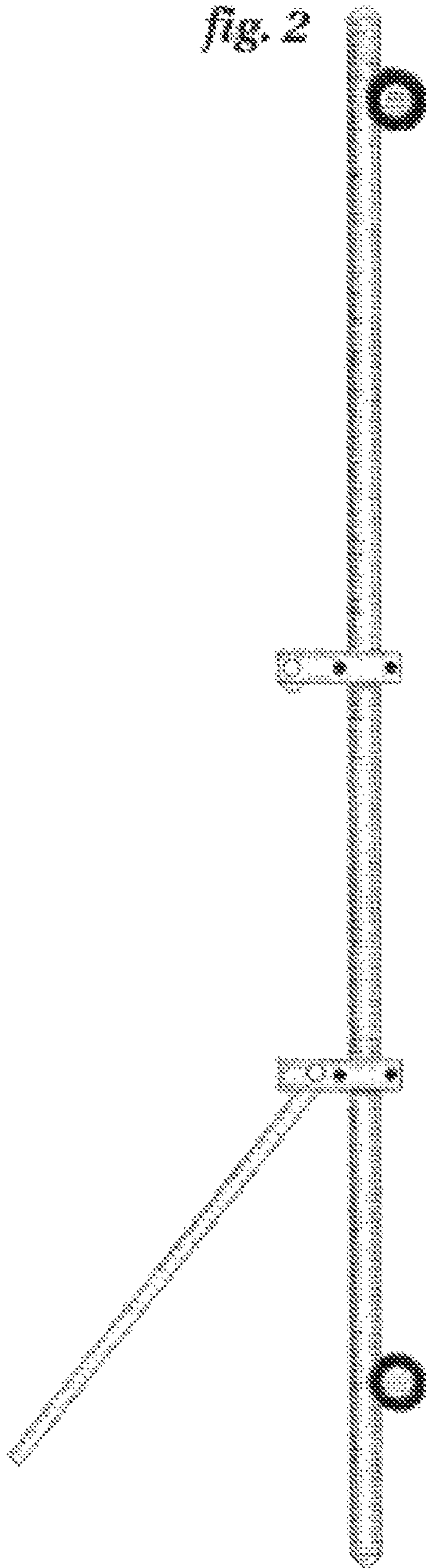


Fig. 2



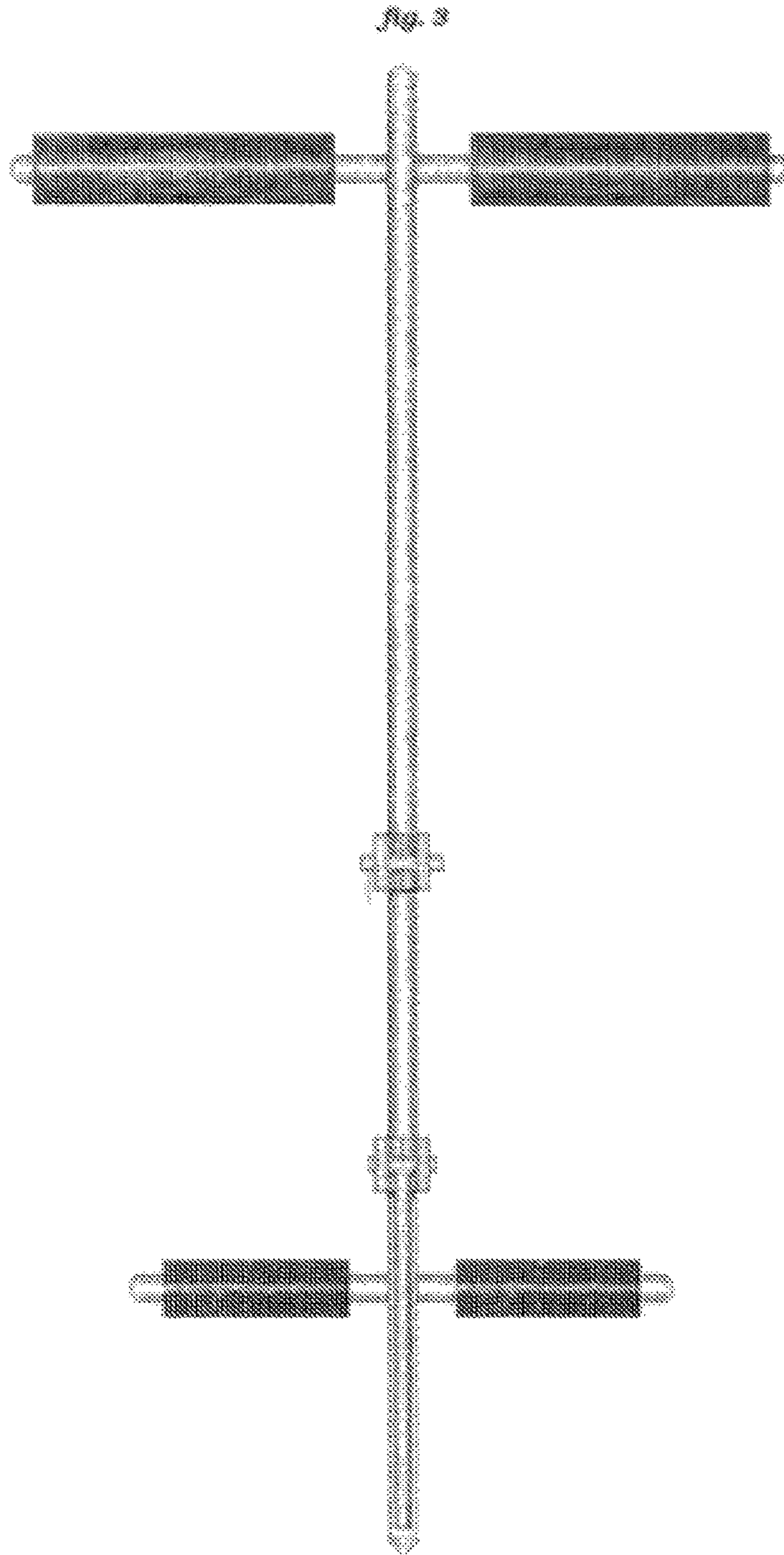


fig. 4

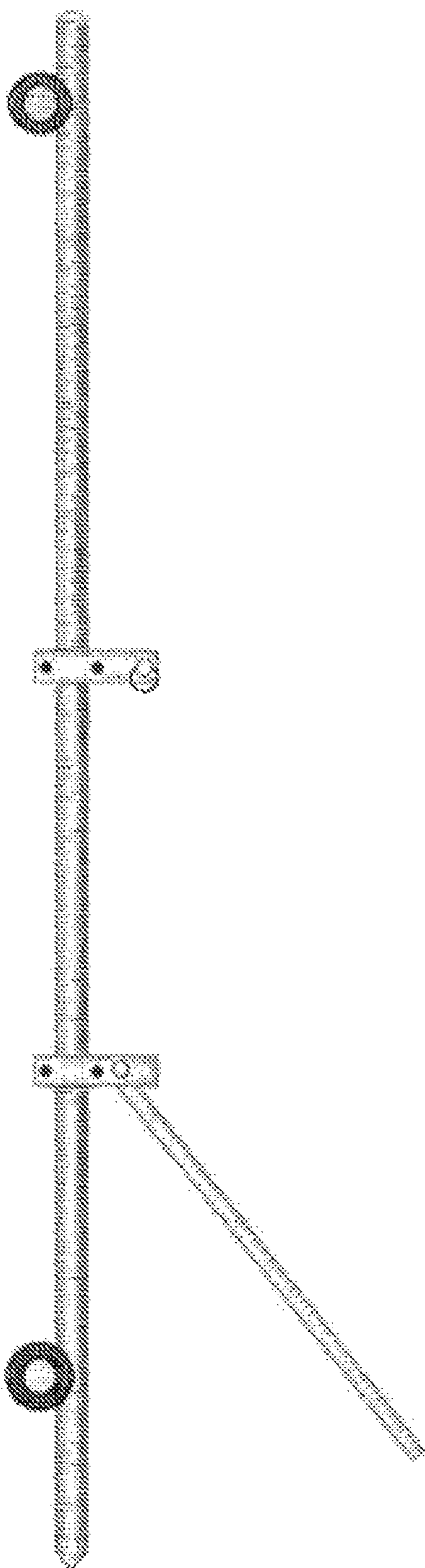


fig. 5

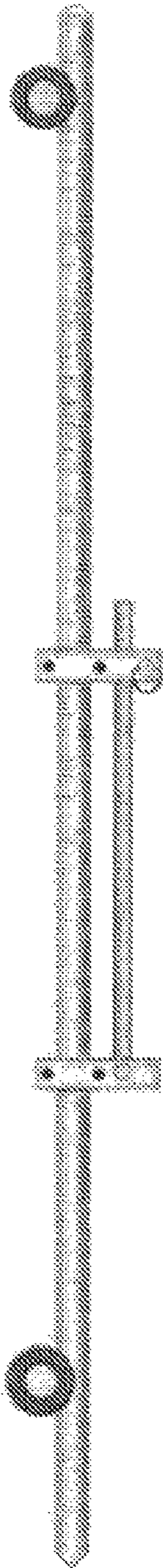


fig. 6

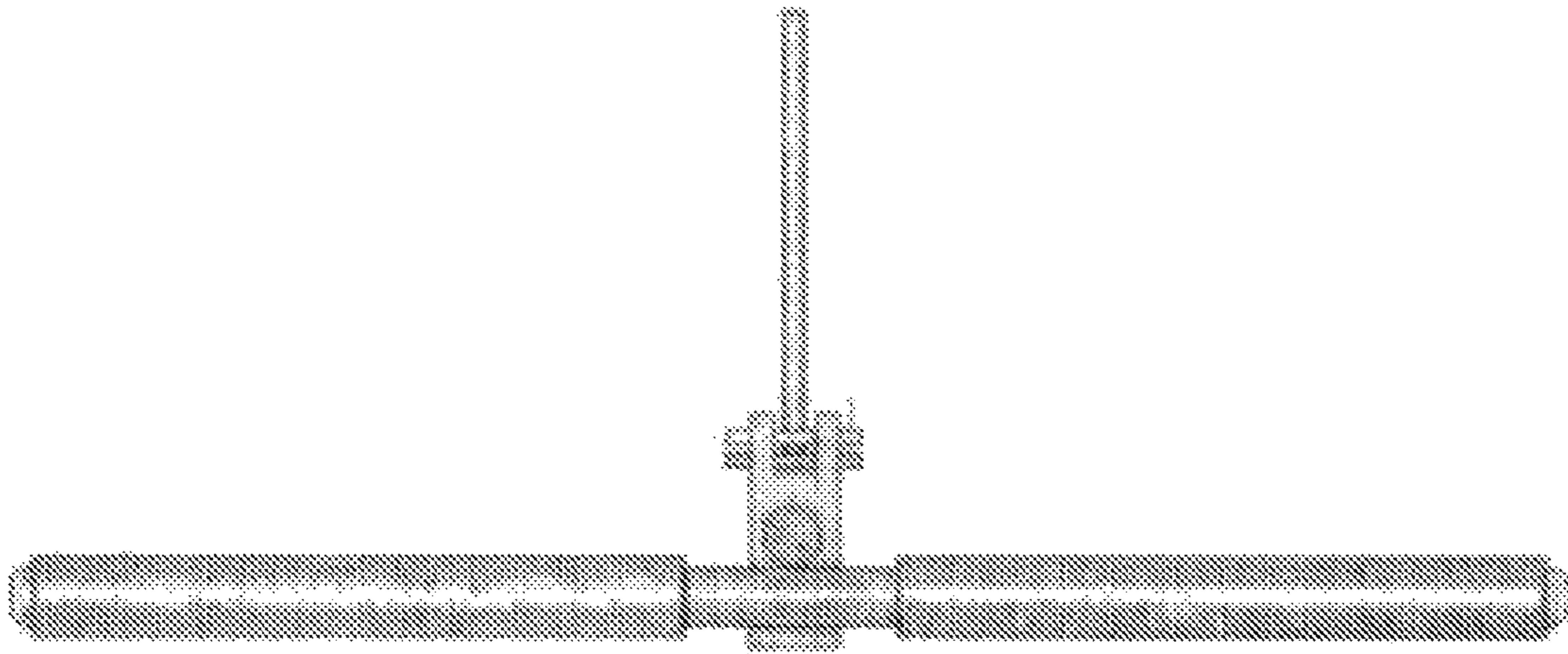


fig. 7

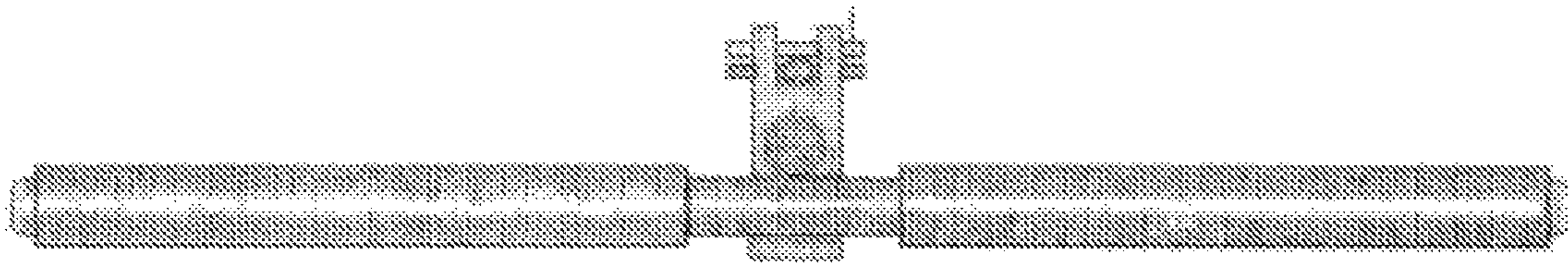


fig. 8

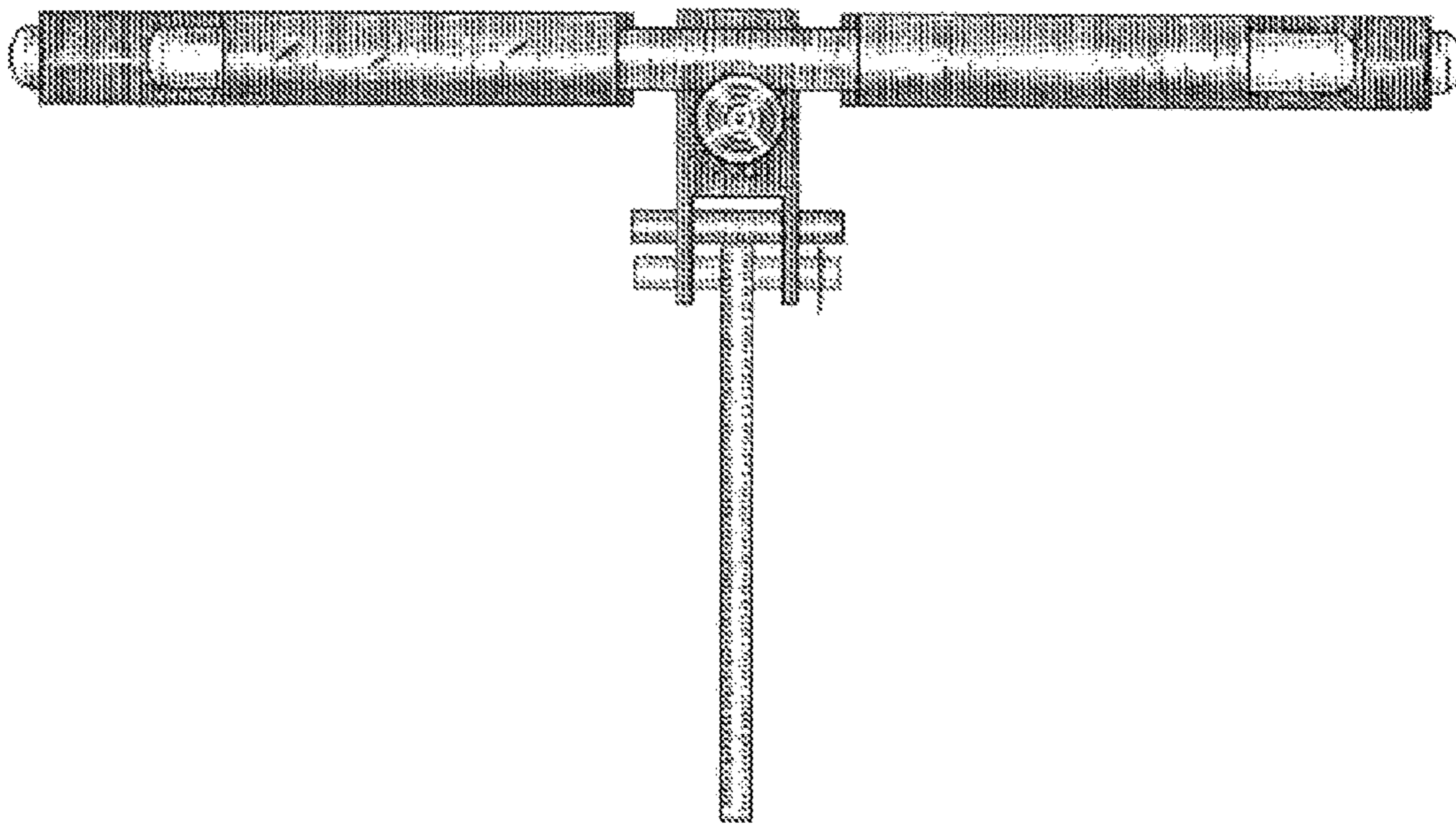


fig. 9

